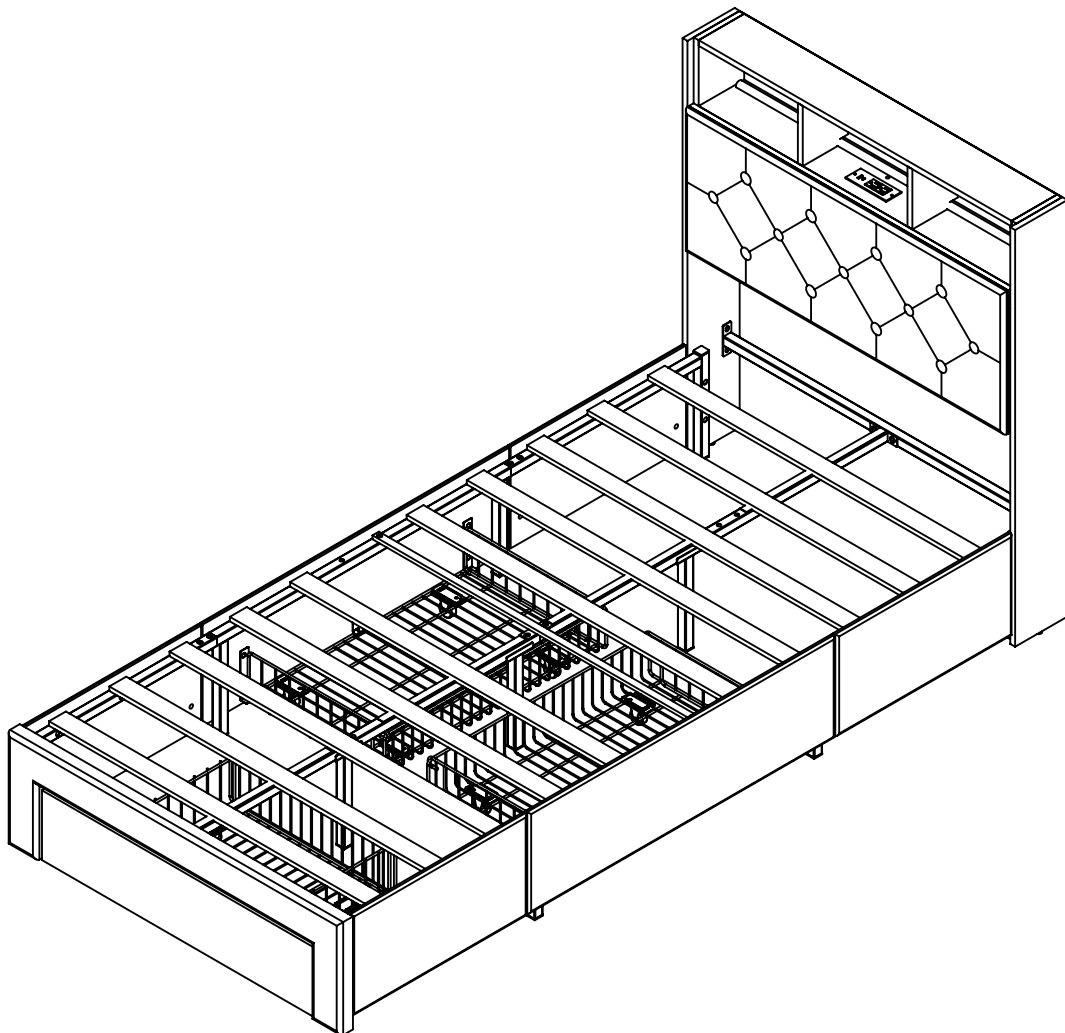


# ASSEMBLY INSTRUCTIONS

DEAR CUSTOMER,

Caution:

1. Please read all instructions before assembly and check the carton for any parts that may have come loose during shipment. It is recommended to use two or more persons during the assembly process.
2. Please do not discard any packaging before you have checked all the parts and fittings are included. If for any reason this product needs to be returned it must be returned packed in its original packaging.
3. Assemble this product on a flat and clean surface to avoid scratching.

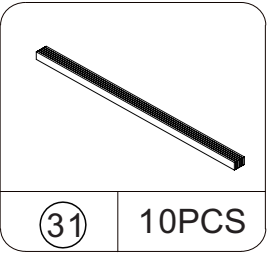
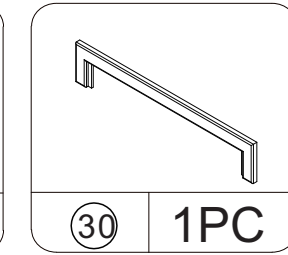
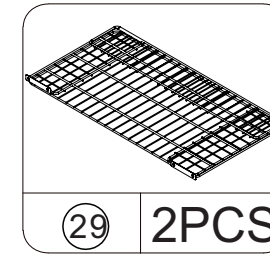
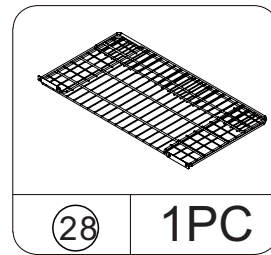
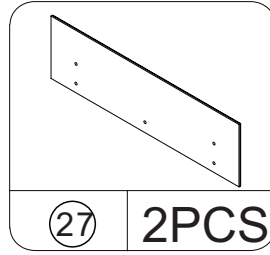
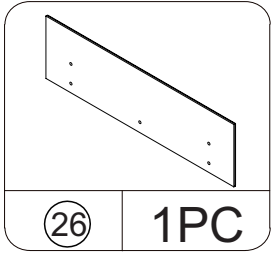
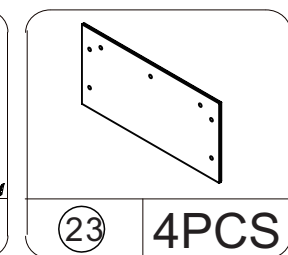
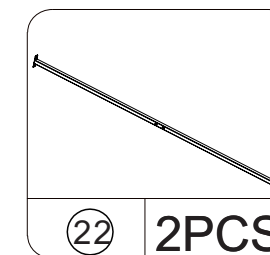
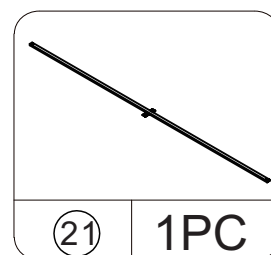
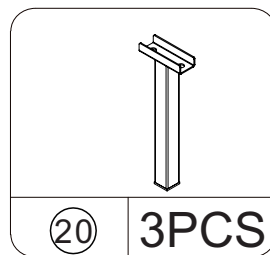
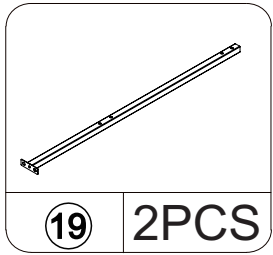
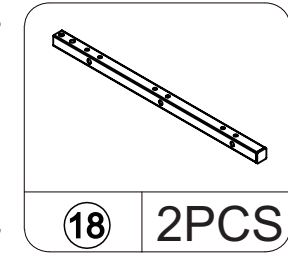
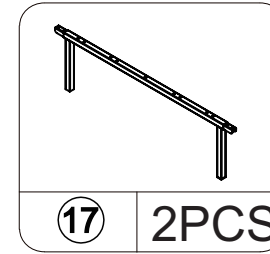
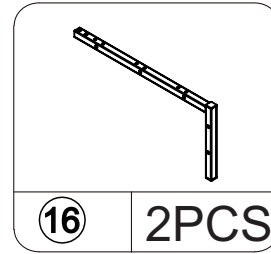
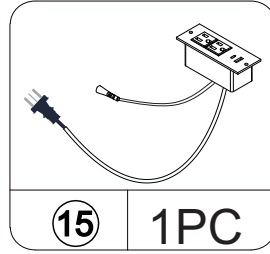
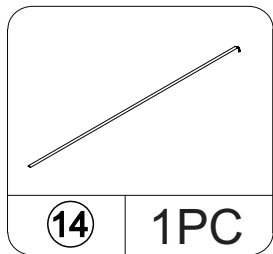
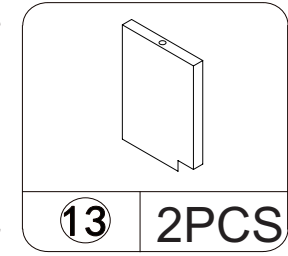
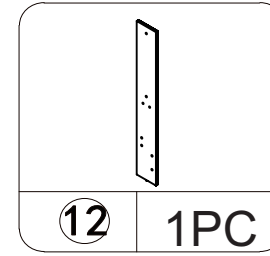
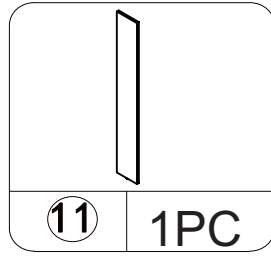
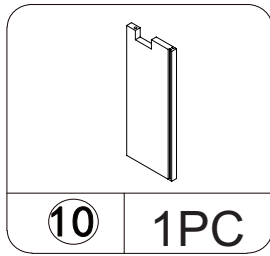
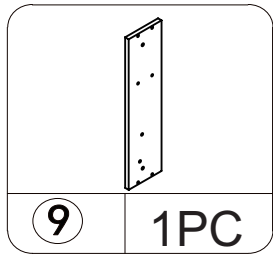
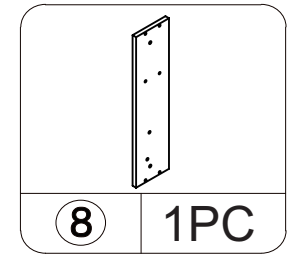
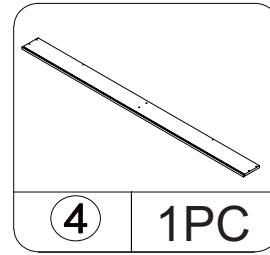
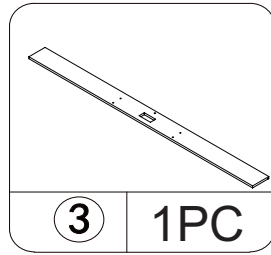
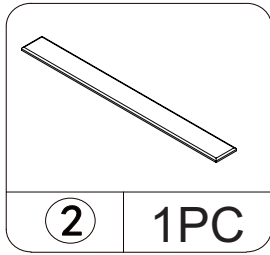
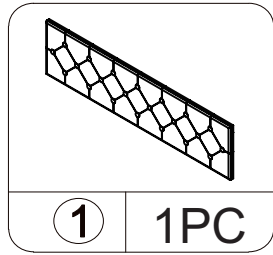


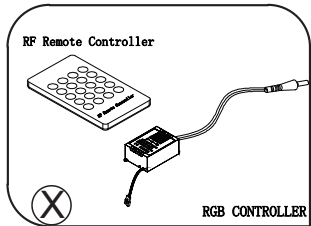
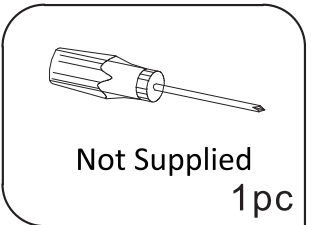
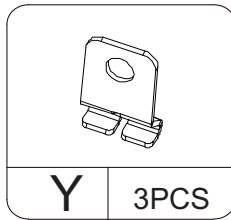
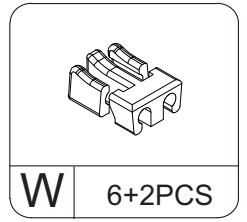
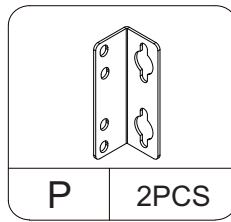
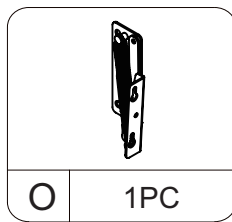
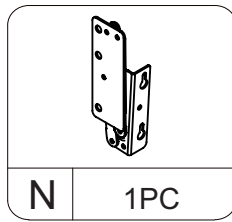
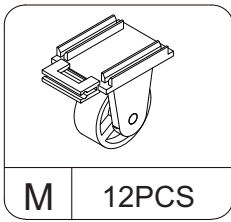
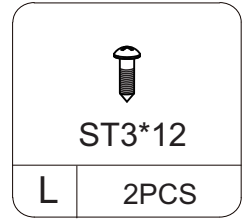
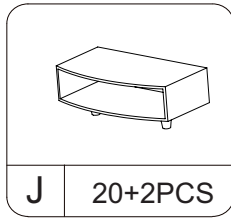
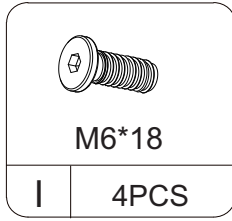
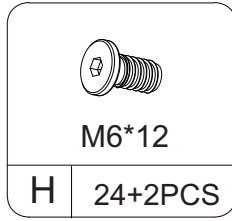
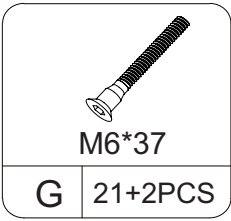
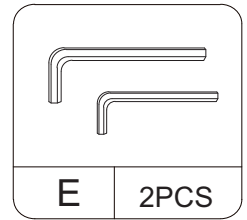
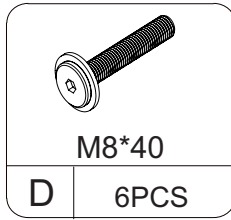
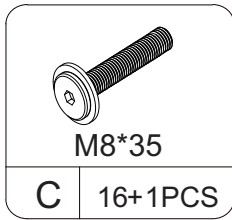
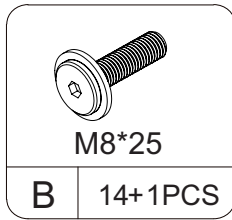
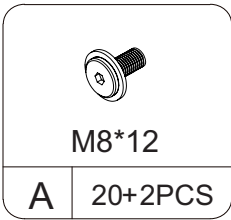
- I. Ensure that all parts and hardware are available before beginning assembly.
- II. Follow each step carefully to ensure the proper assembly of the product.
- III. Two people are recommended for ease in the assembly of this product.



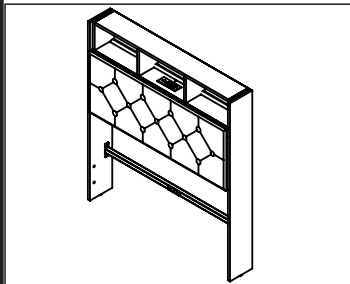
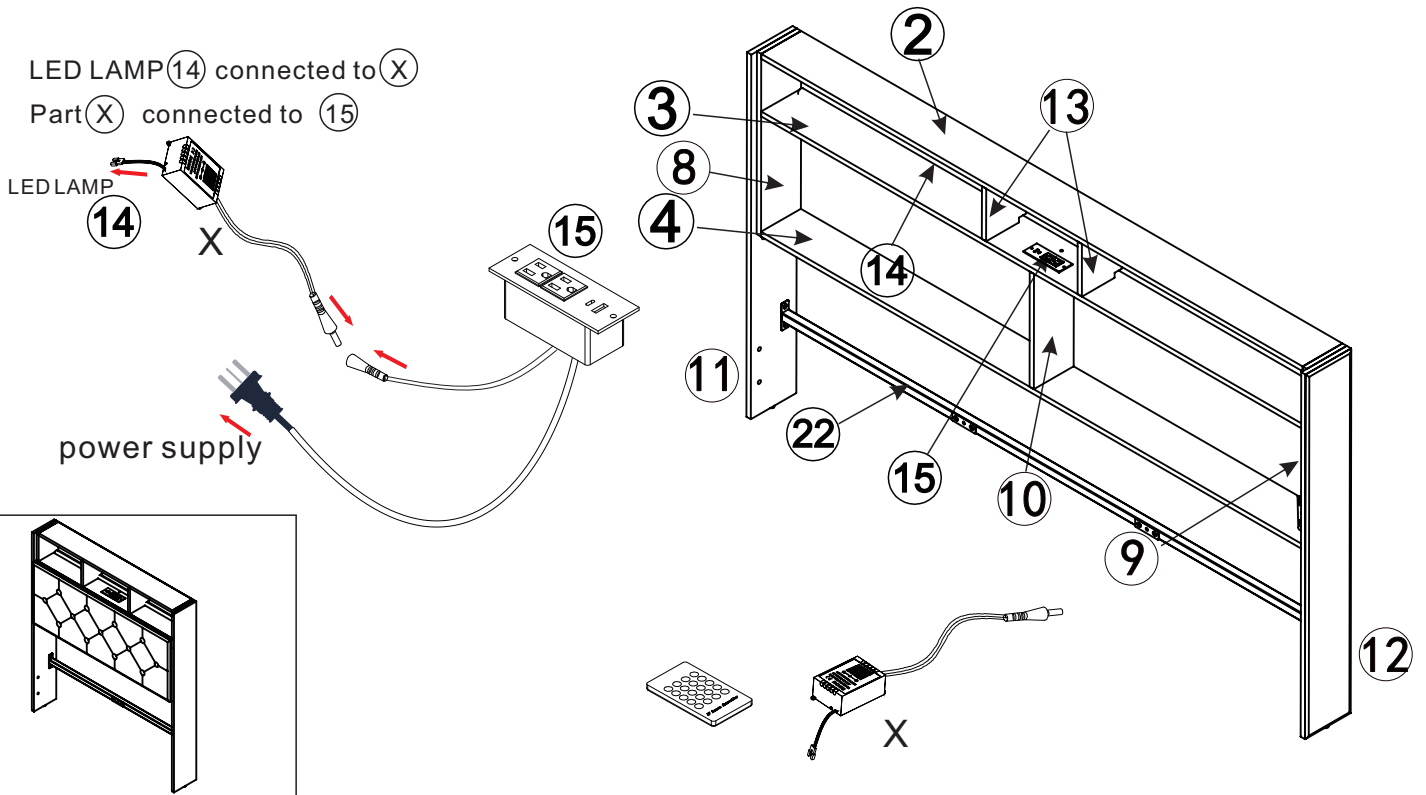
# Hardware List


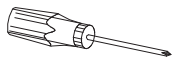
 **Pls make sure all the accessories are complete!**

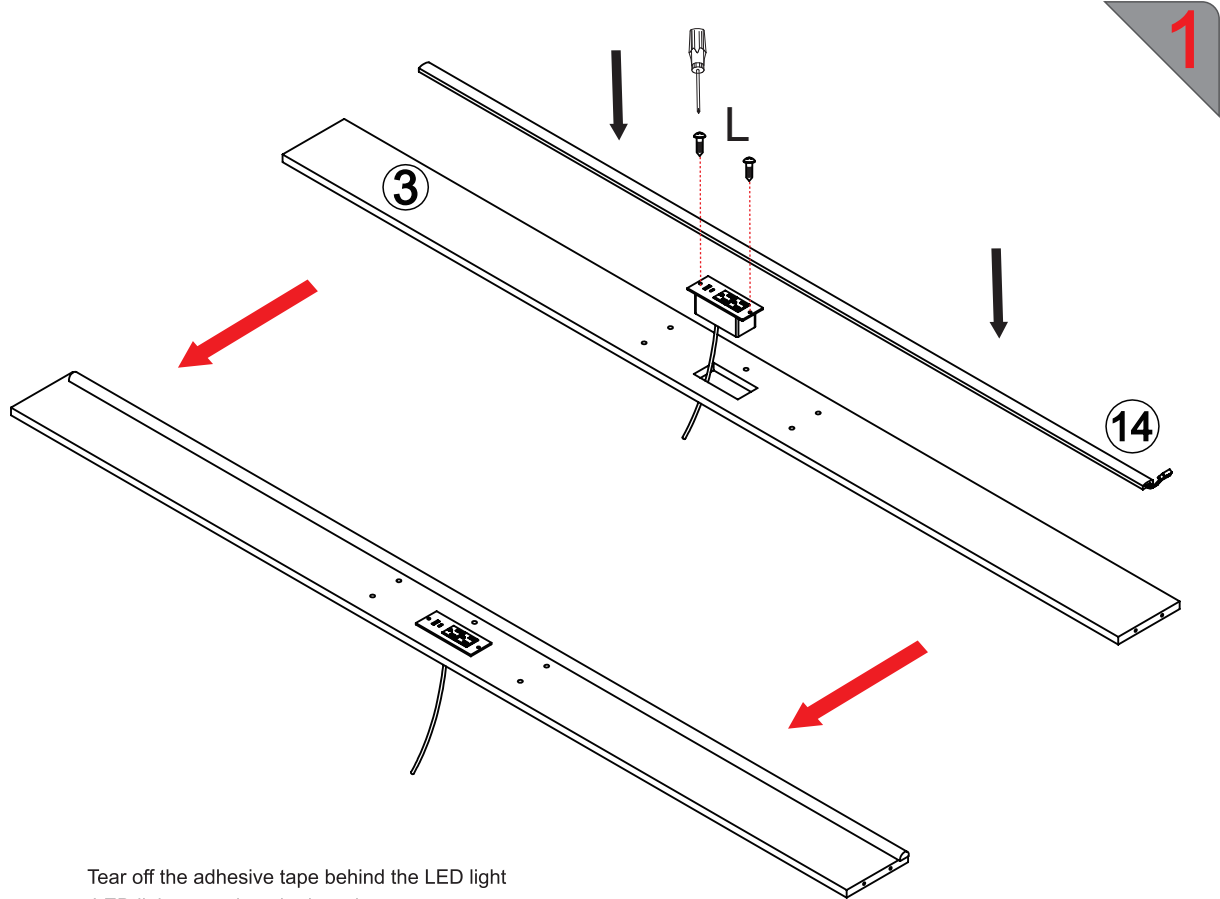




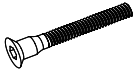
You can choose mobile control or Remote Control  
 pull out the plastic card on the Remote Controller and power on the Remote Controller.



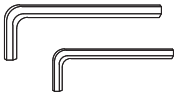
 ST3*12	
L	2PCS
 Not Supplied 1pc	

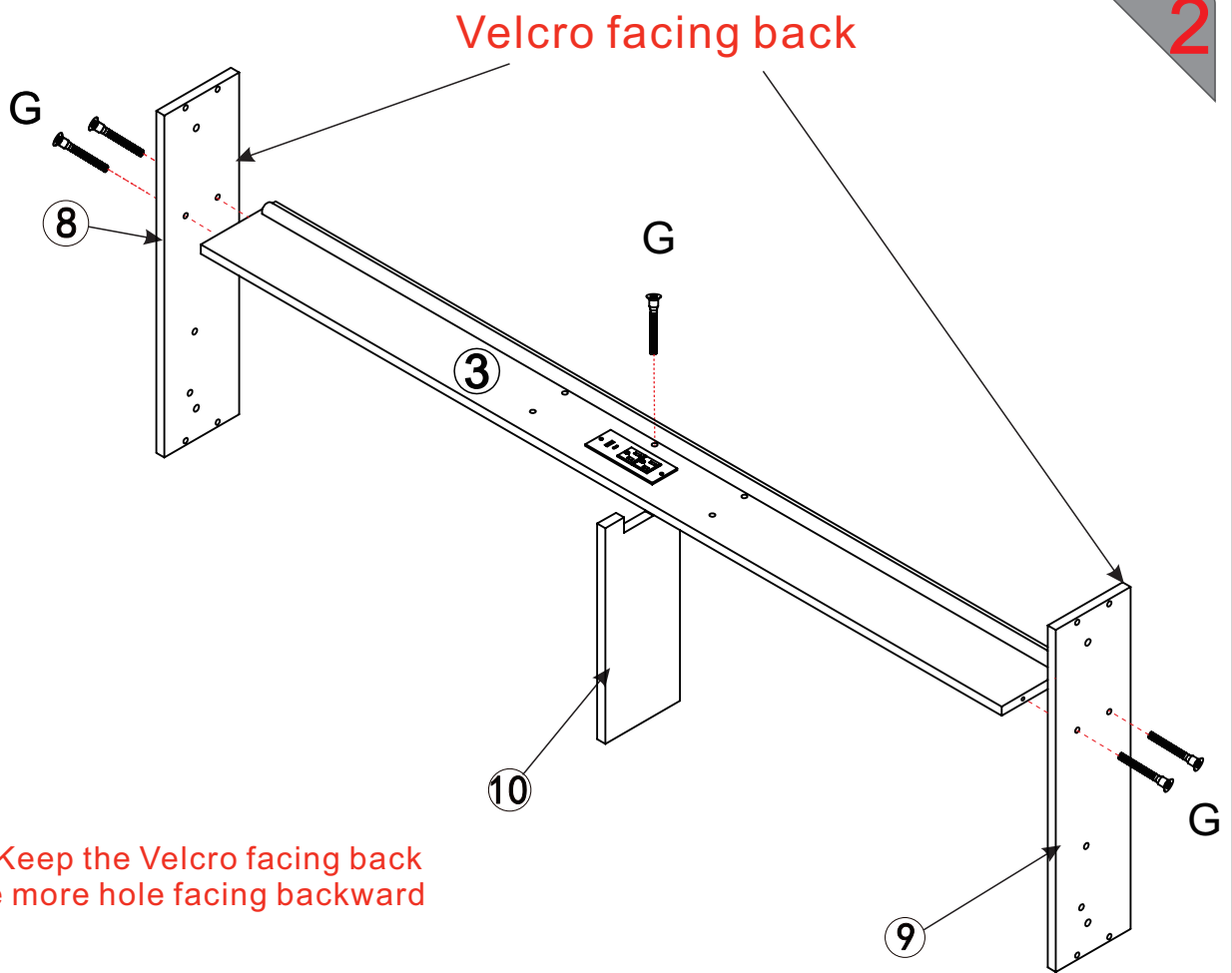



Tear off the adhesive tape behind the LED light  
 LED light pasted on the board

	
M6*37 mm	
G	5 PCS

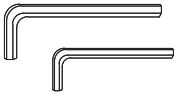
  

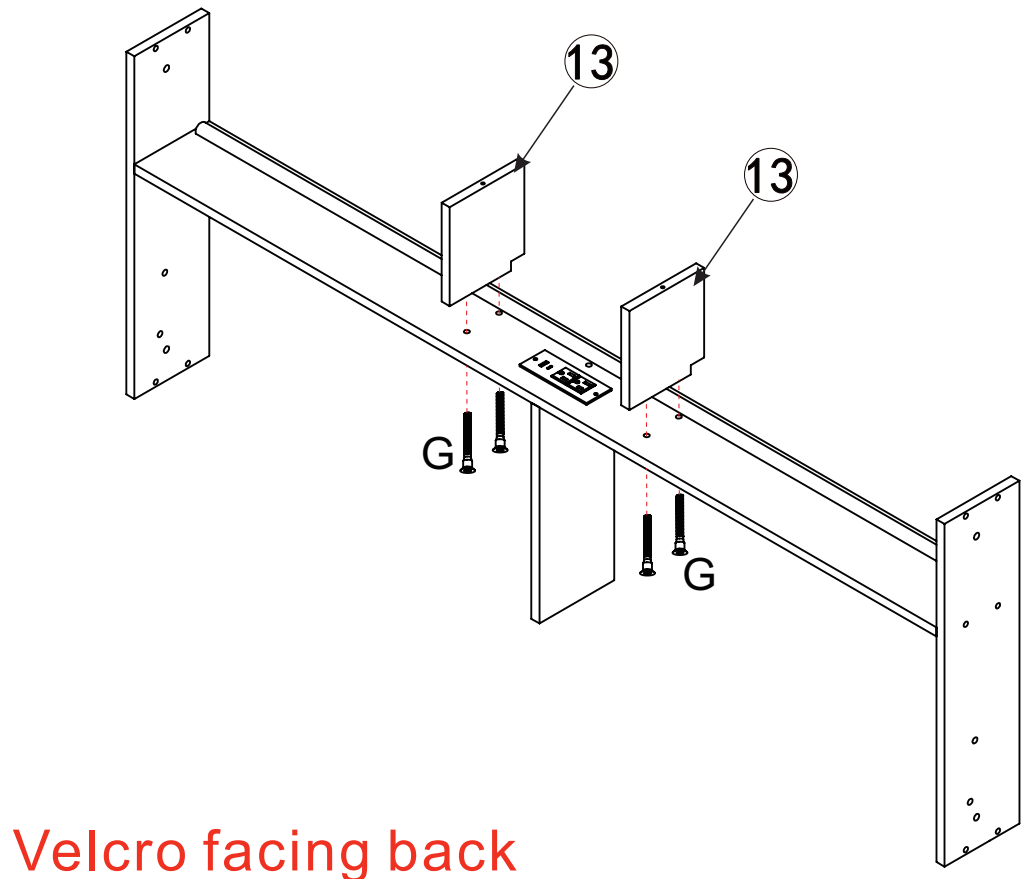
	
E	
2PCS	

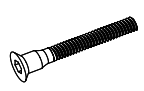


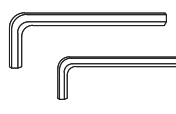
	
M6*37 mm	
G	4 PCS

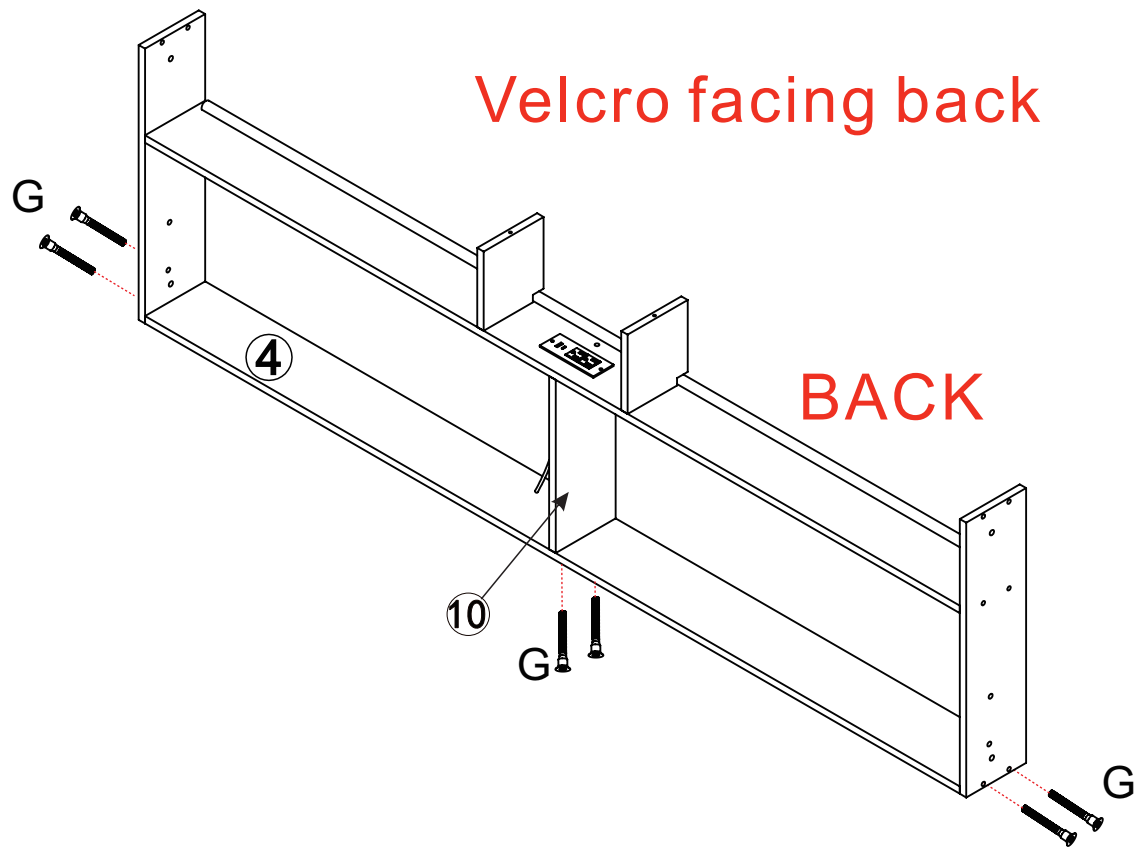
  

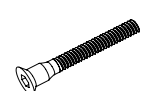
	
E	
2PCS	

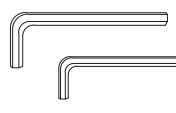


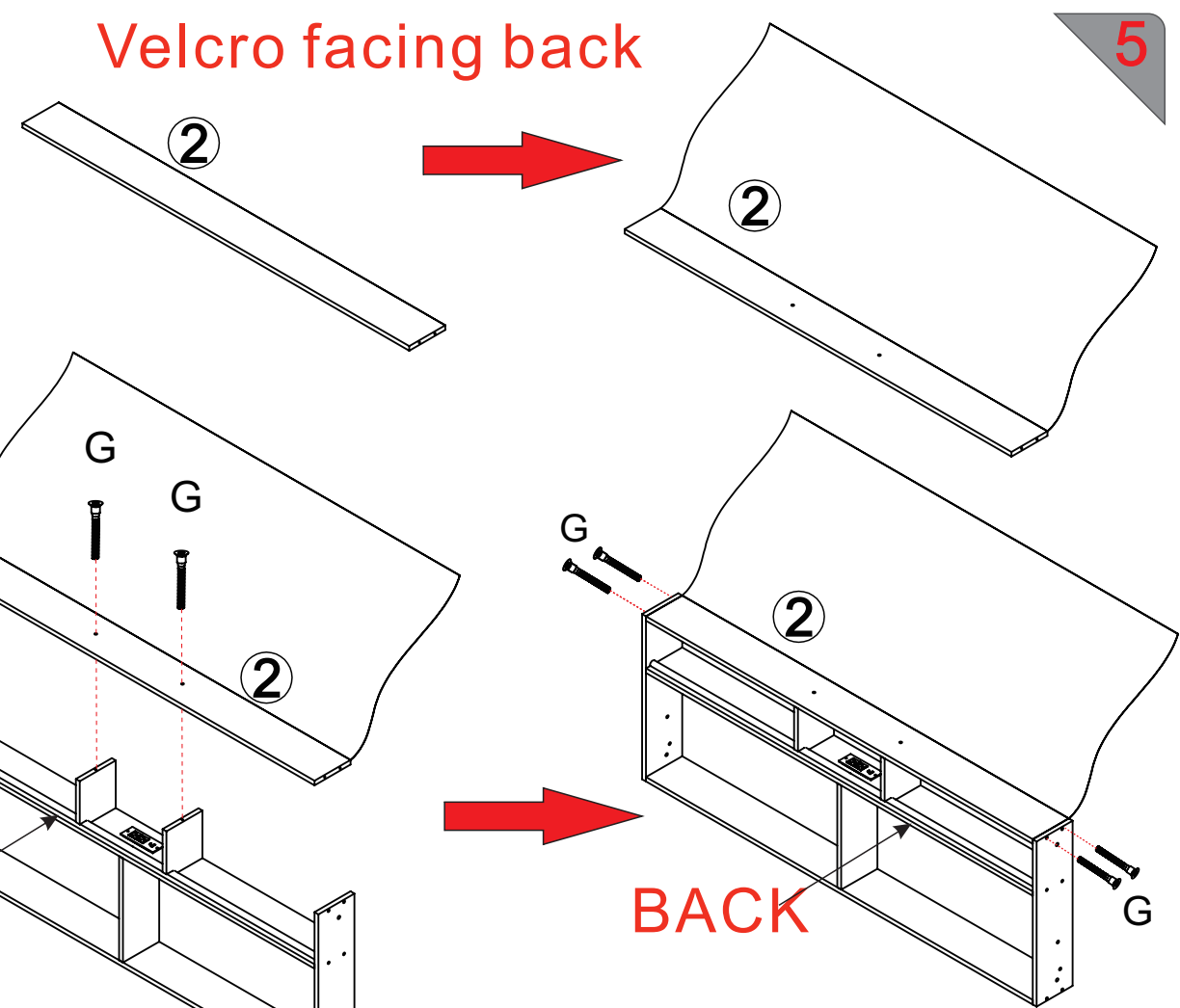
	
M6*37 mm	
G	6 PCS

	
E 2PCS	



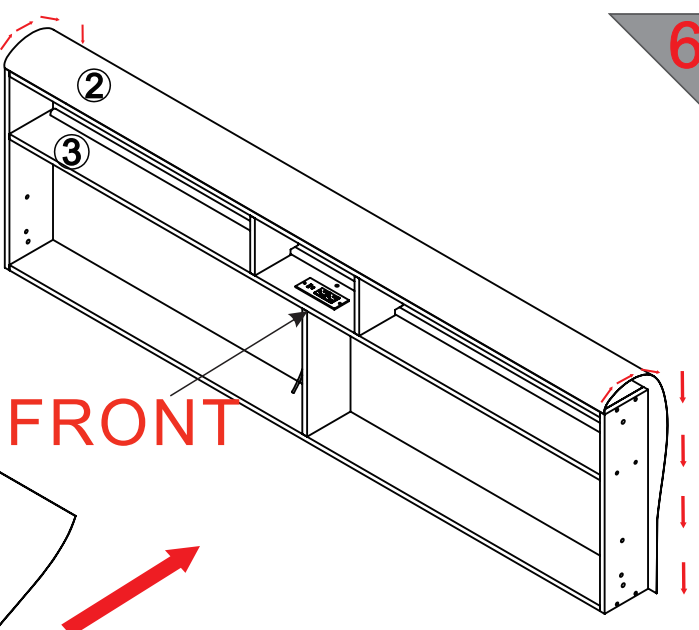
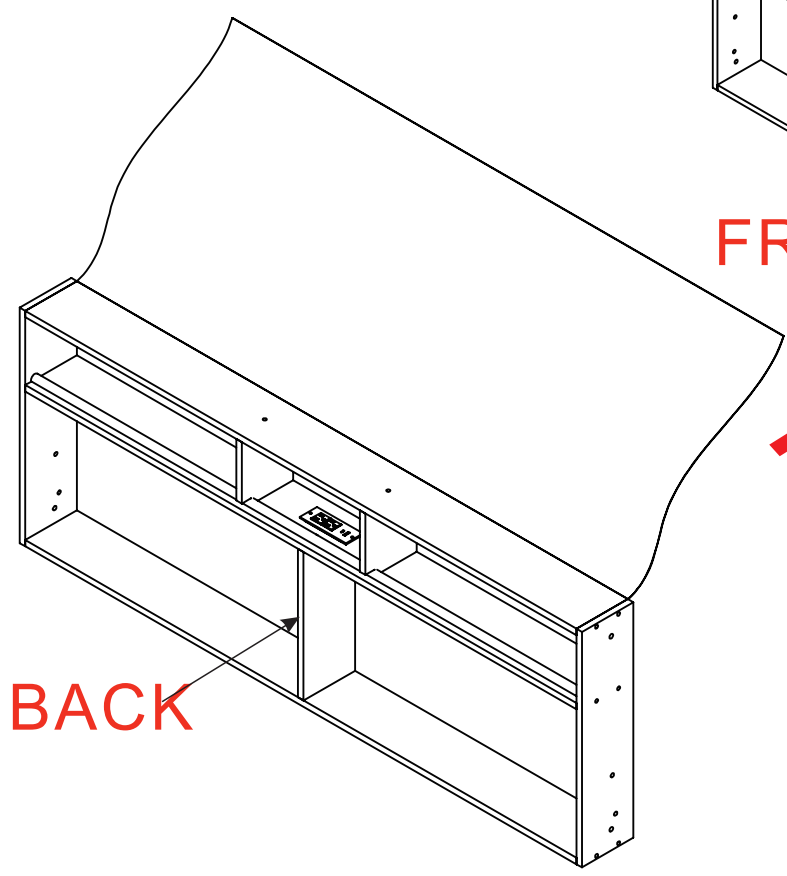
	
M6*37 mm	
G	6PCS

	
E 2PCS	



BACK


BACK




Please don't put the Velcro on yet

Velcro facing back

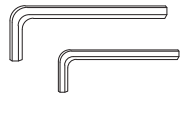
M6\*18



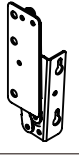
I 4pcs



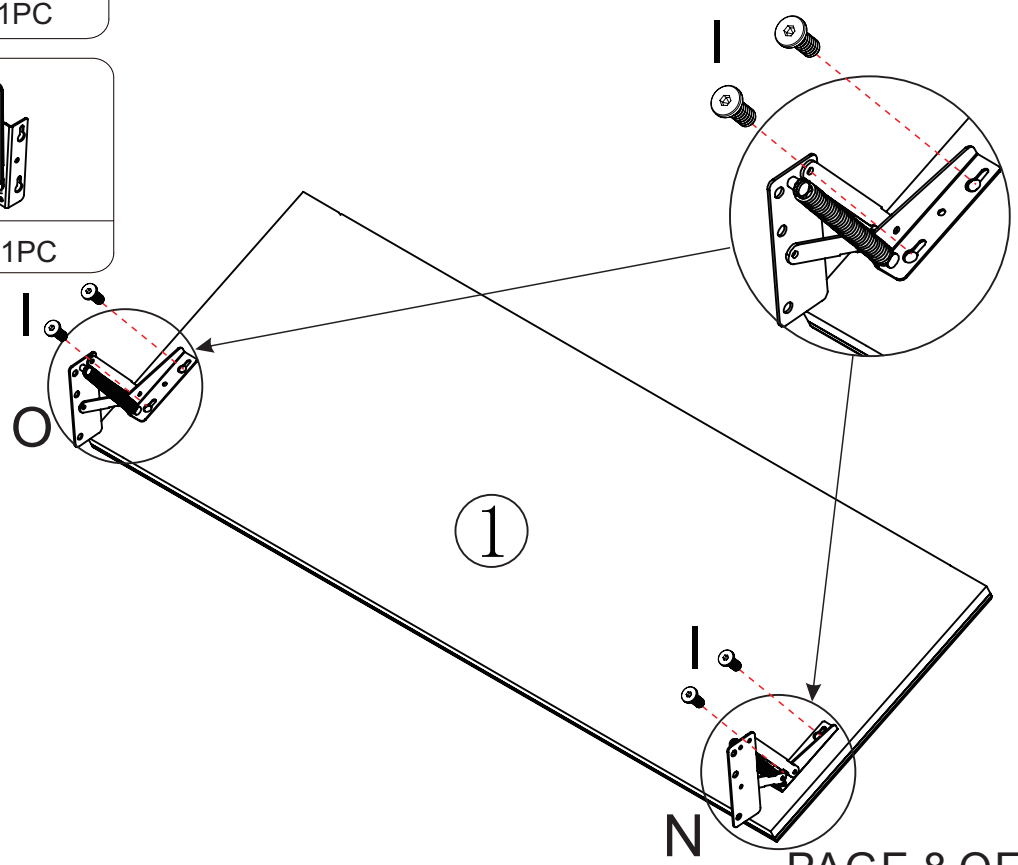
O 1PC



E 2PCS



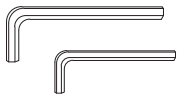
N 1PC



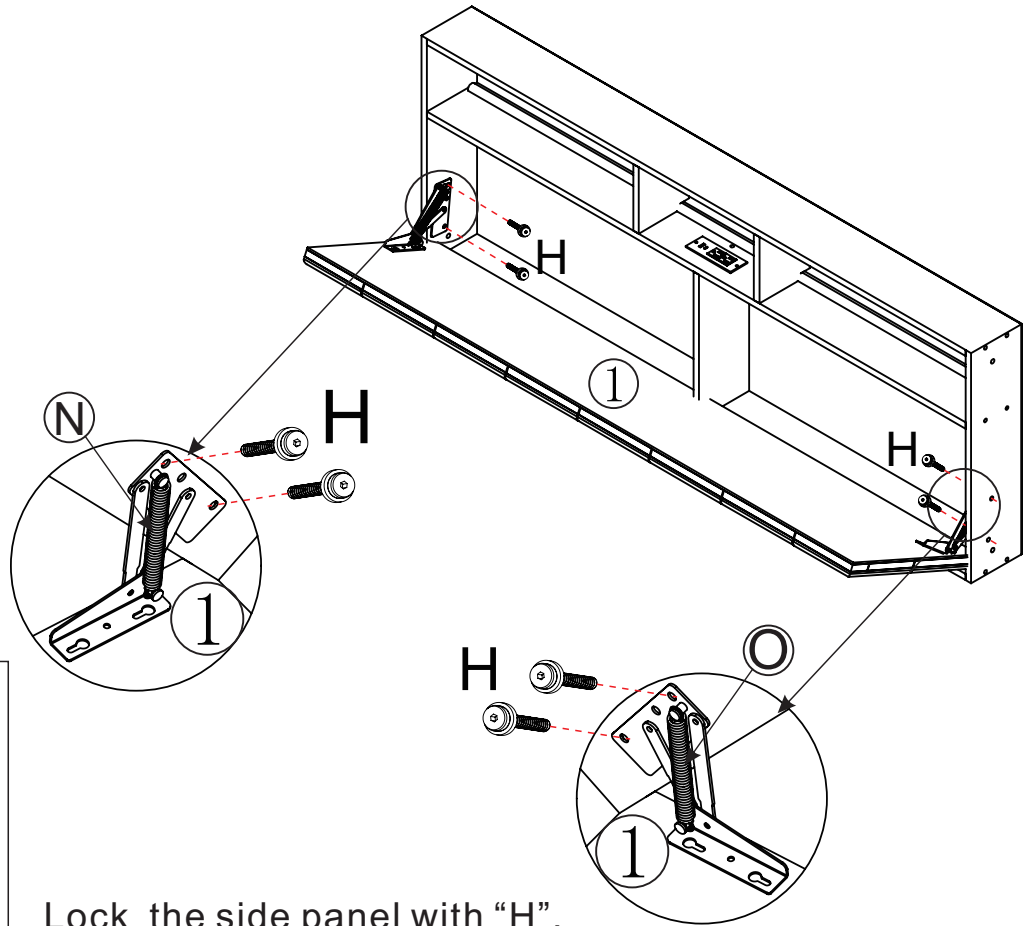
M6\*12



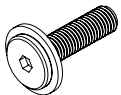
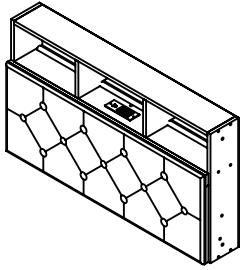
H 4pcs



E 2PCS

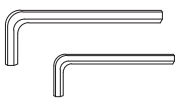


Lock the side panel with "H".

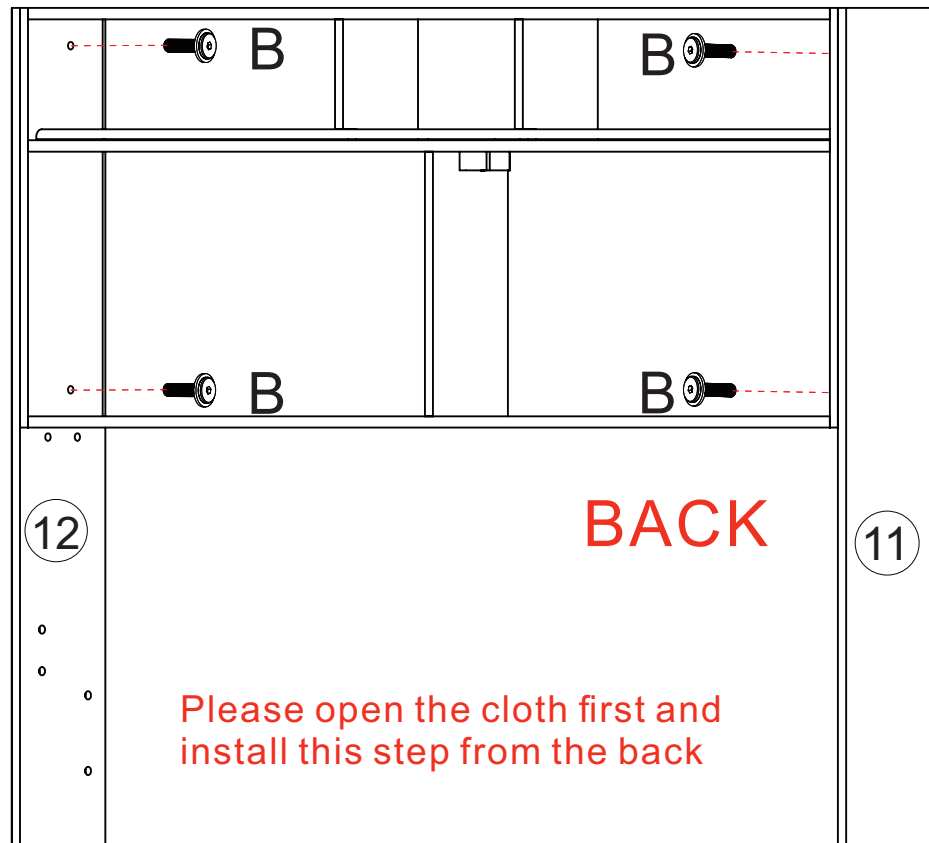


M8\*25

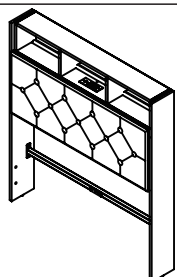
B 4PCS



E 2PCS

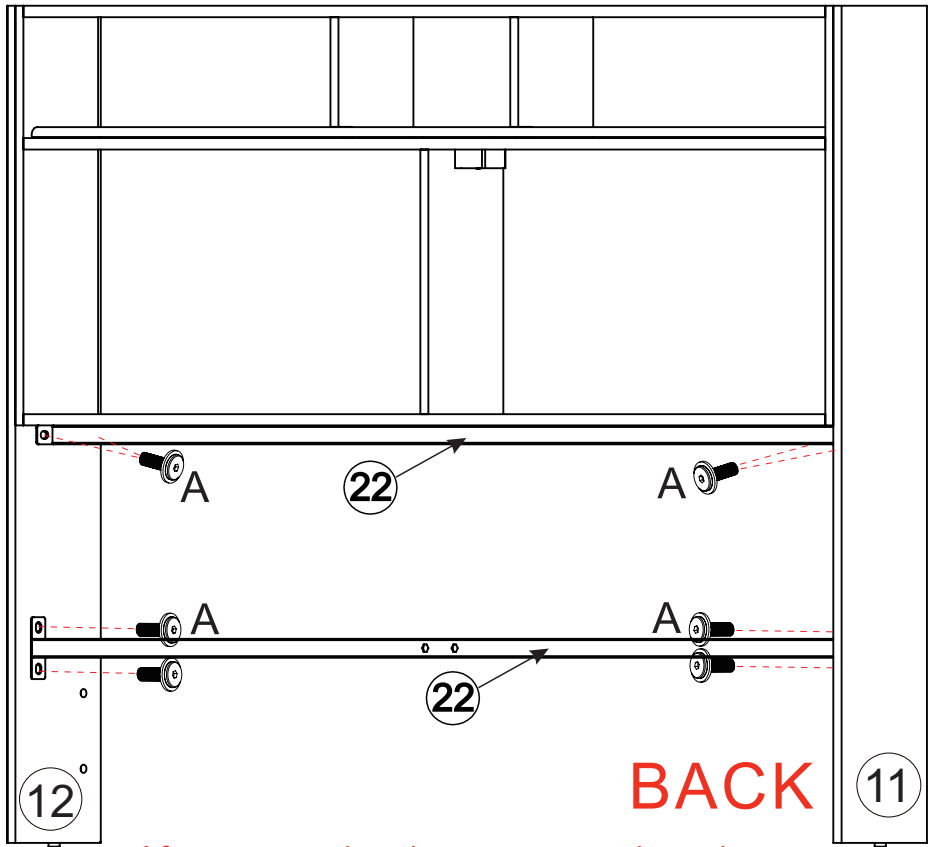


Please open the cloth first and install this step from the back



M8\*12  
A 8PCS

E 2PCS

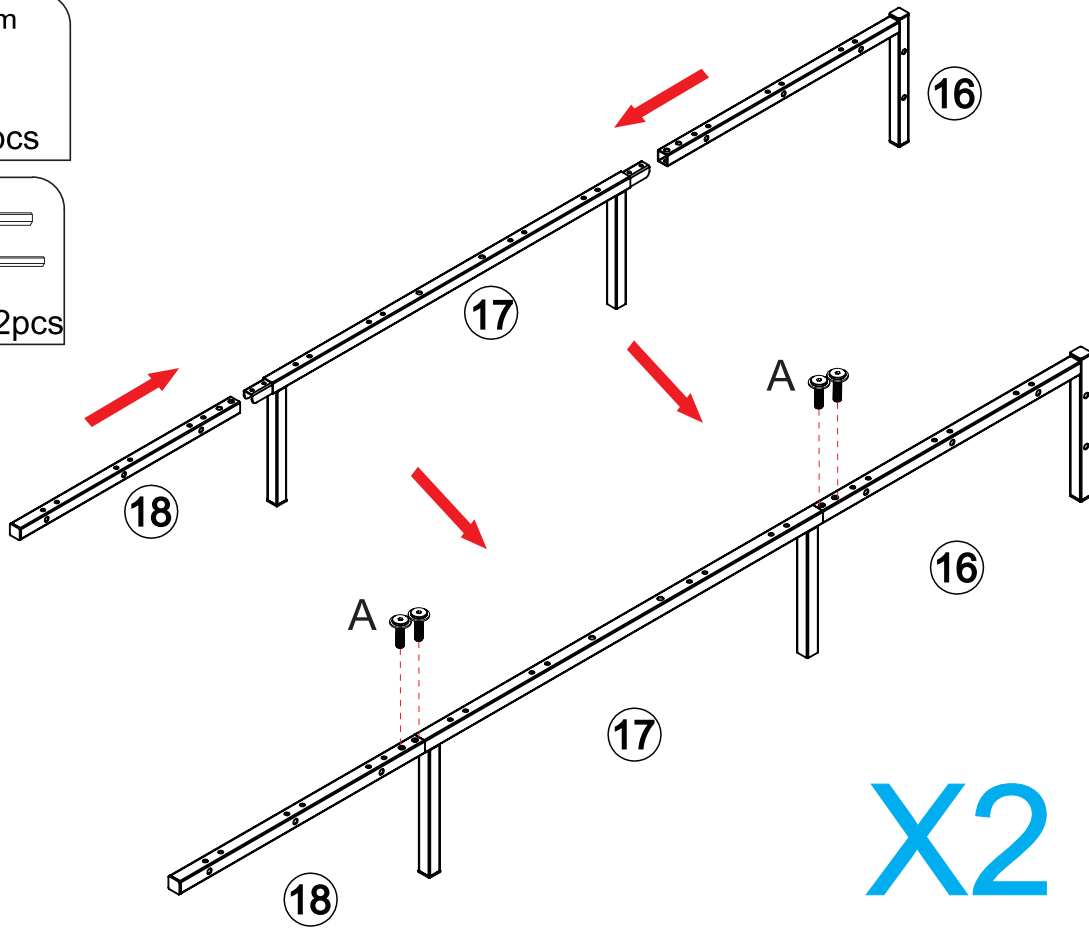


**BACK**

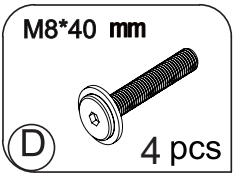
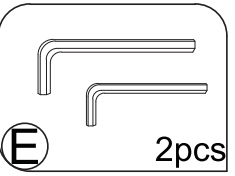
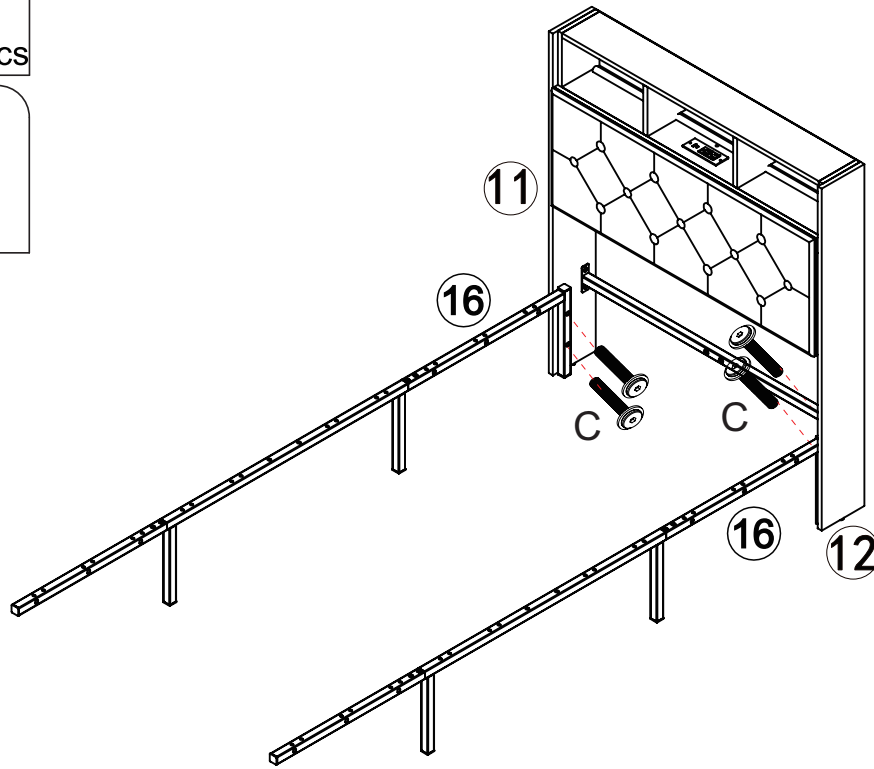
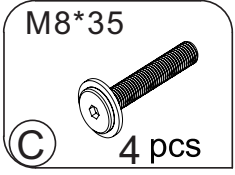
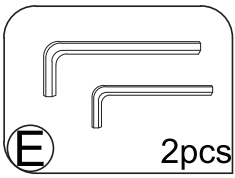
After connecting the power supply and adapter according to the wiring diagram on page 5, please cover the cloth and glue the Velcro.

M8\*12mm  
A 8 pcs

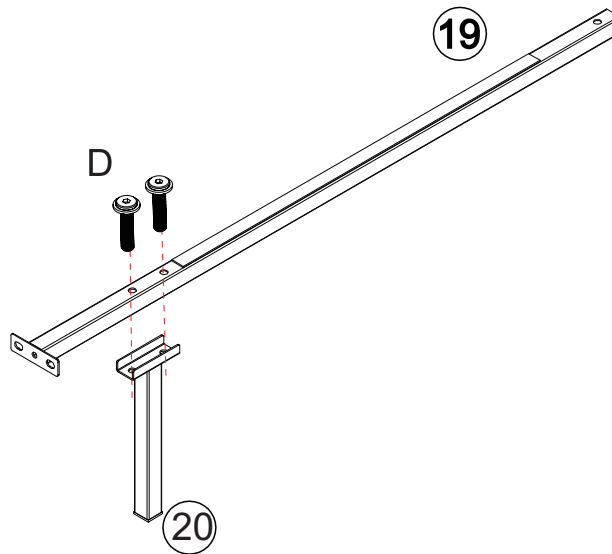
E 2pcs

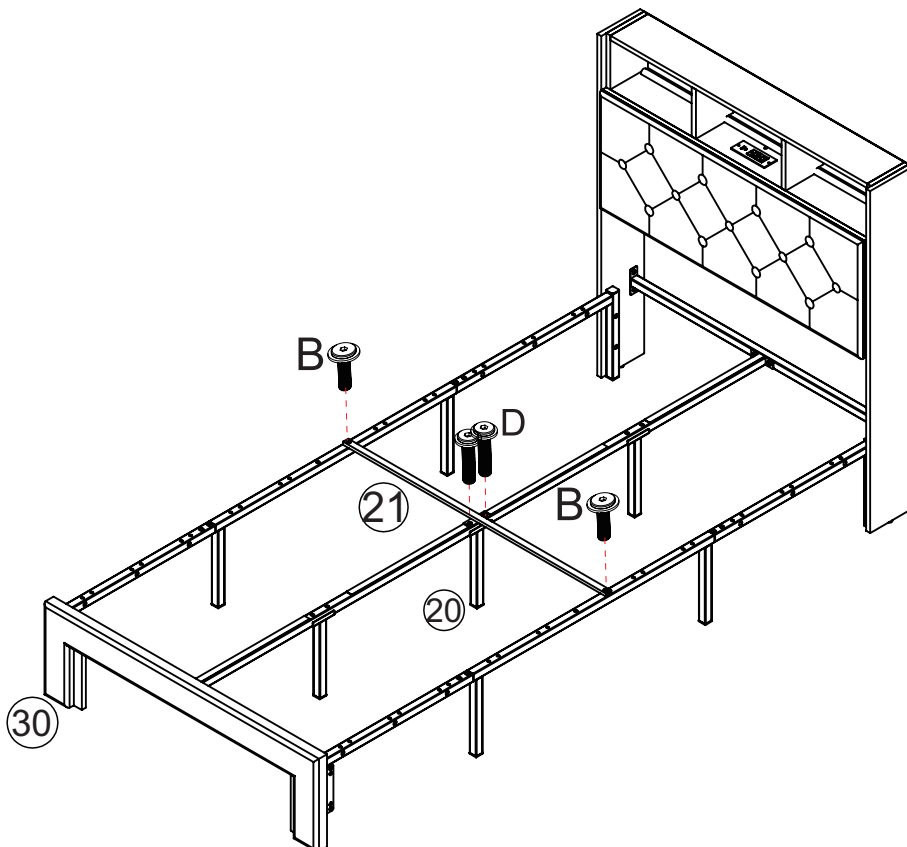
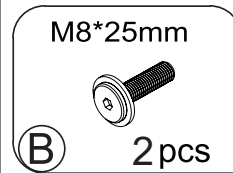
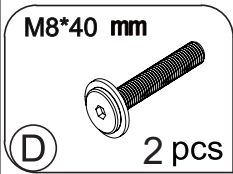
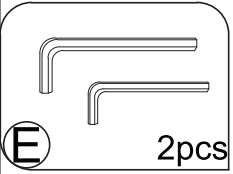
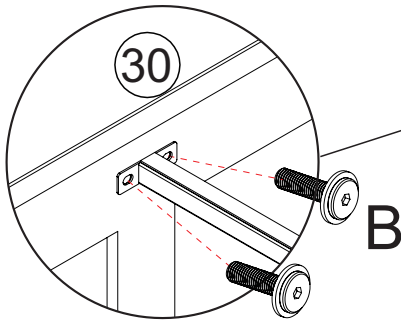
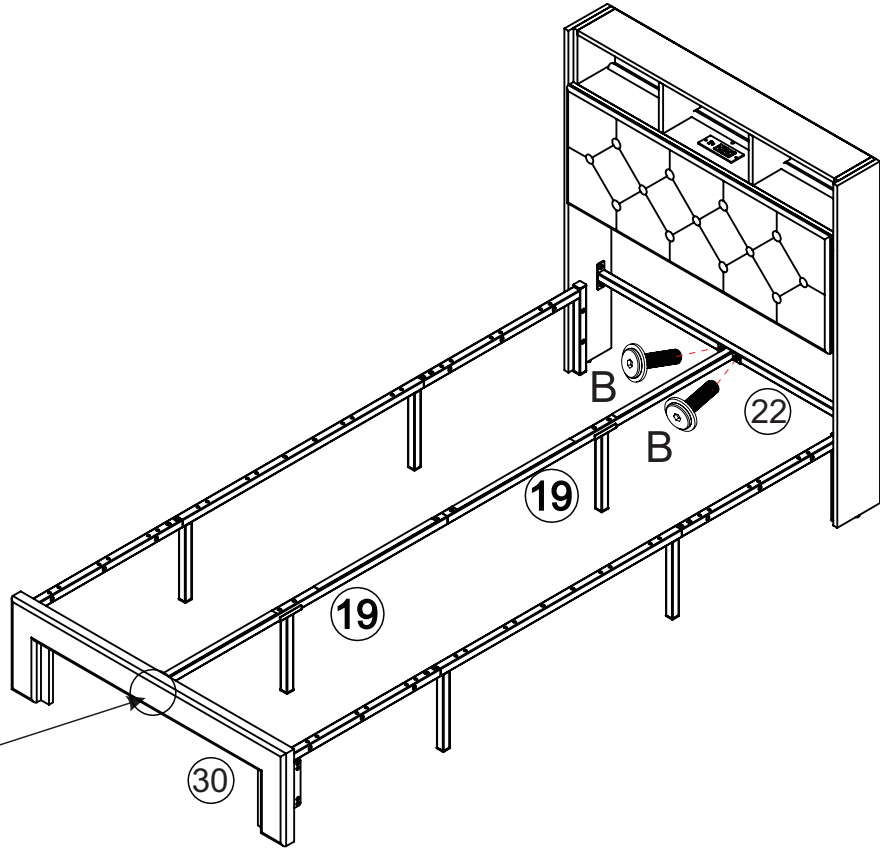
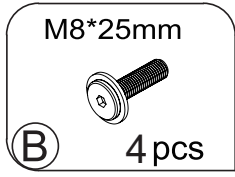
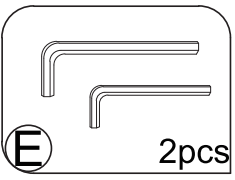


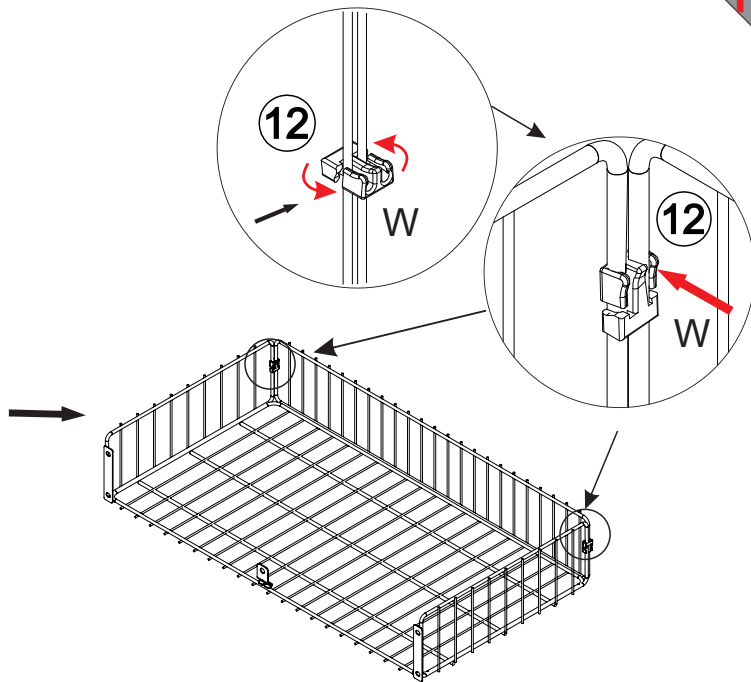
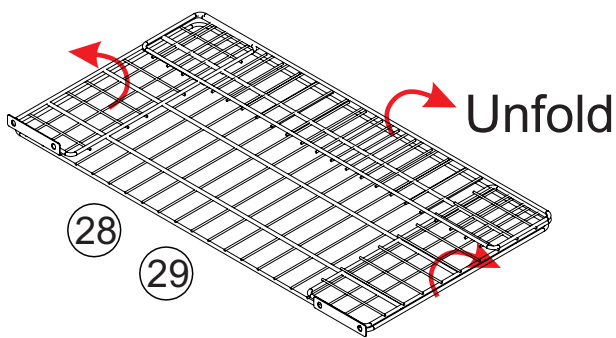
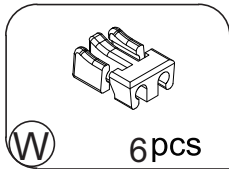
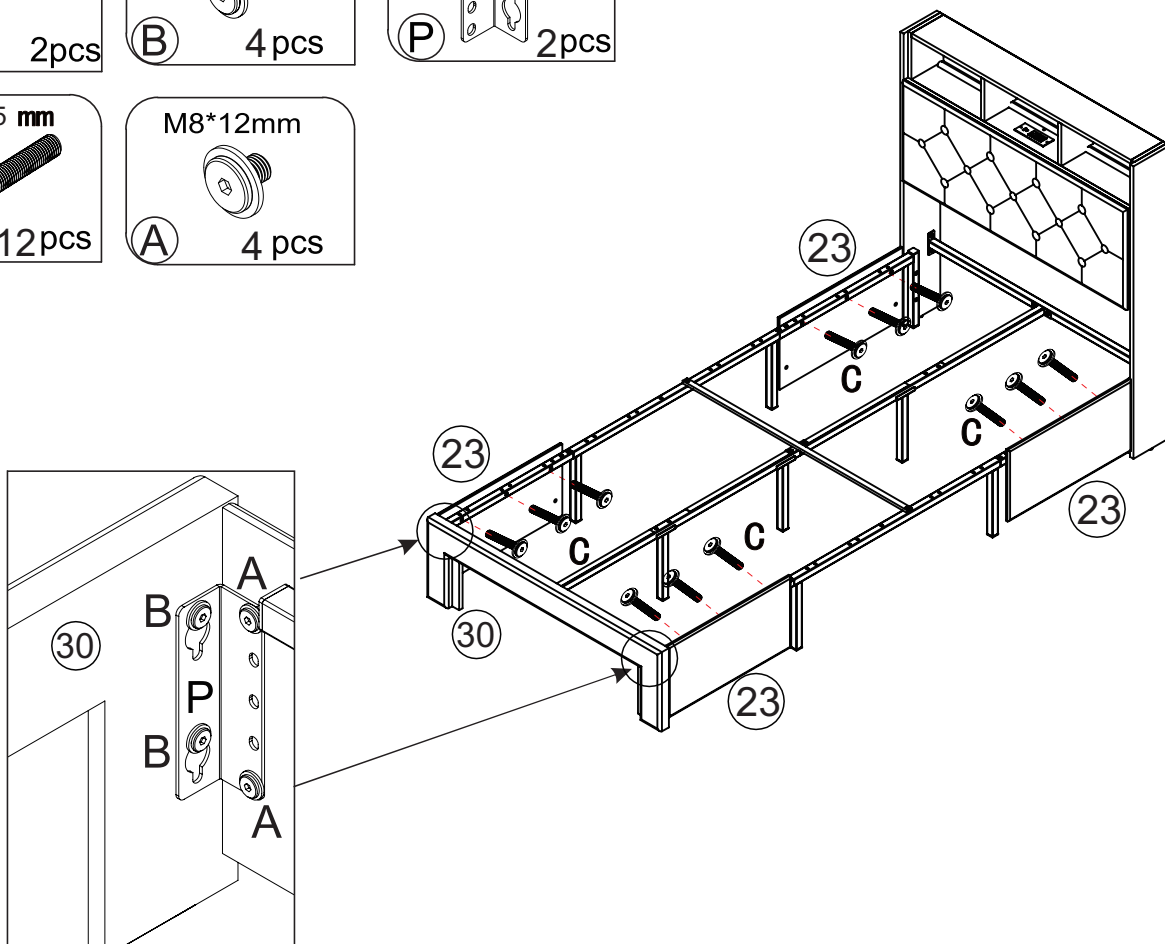
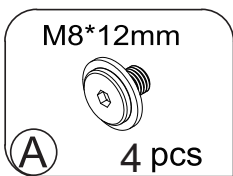
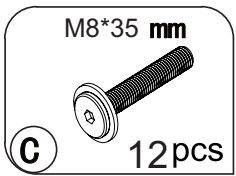
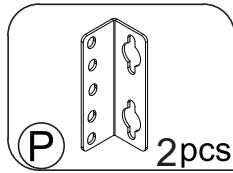
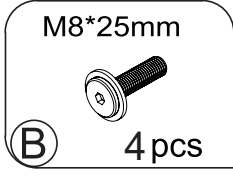
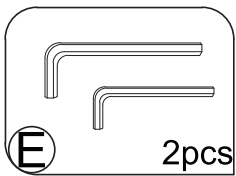
**X2**

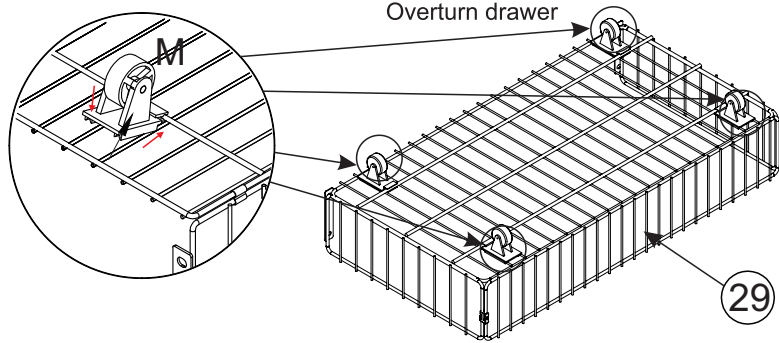
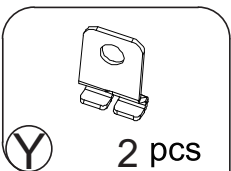
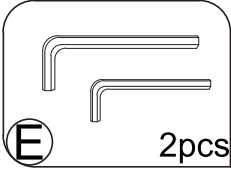
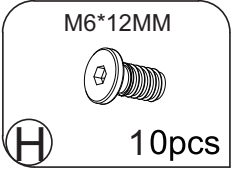


X2

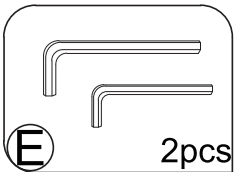
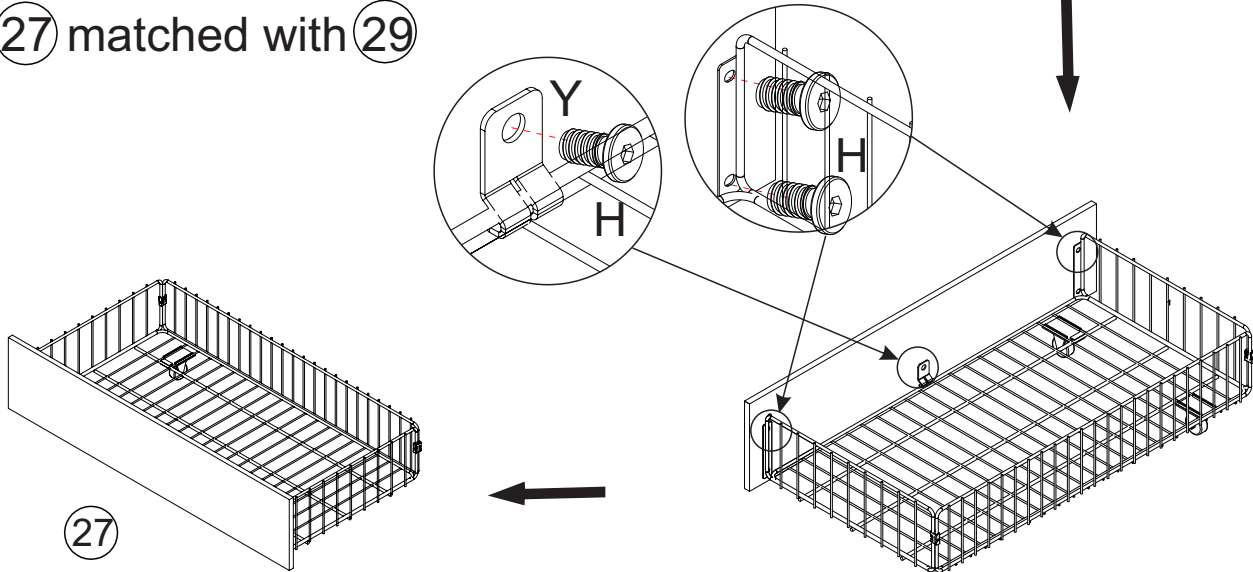






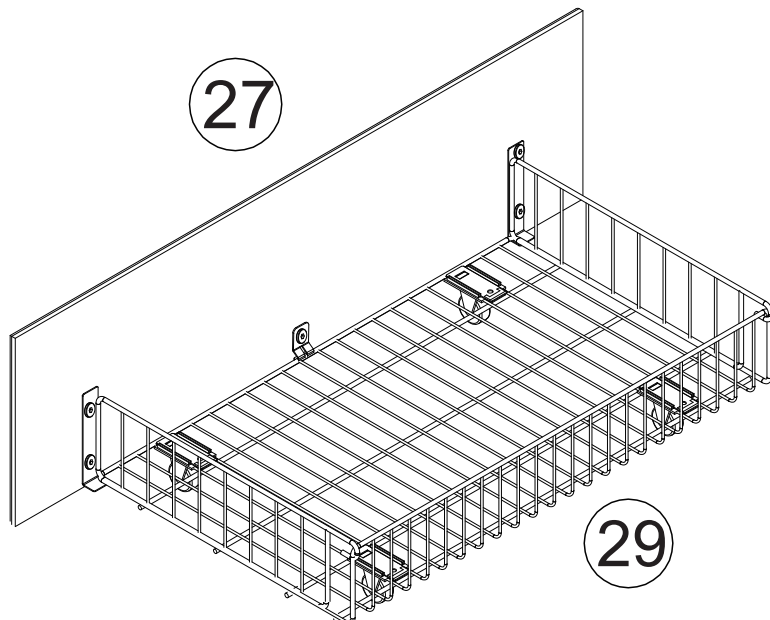


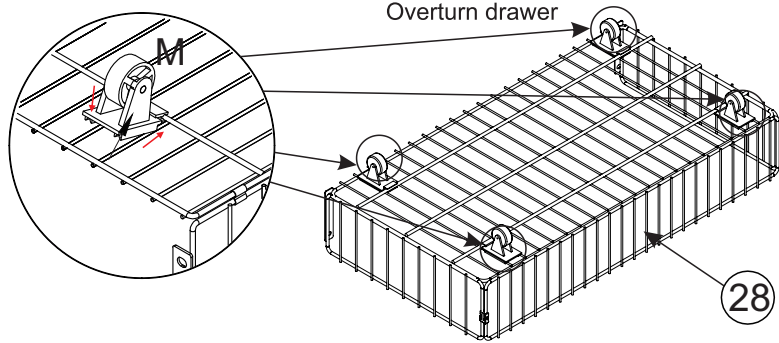
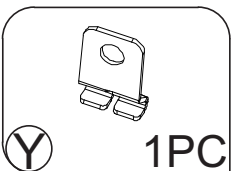
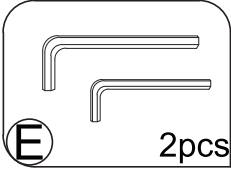
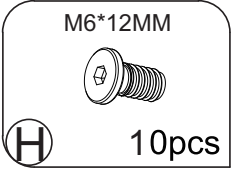
27 matched with 29



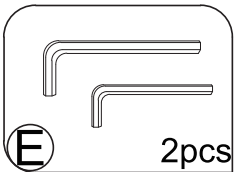
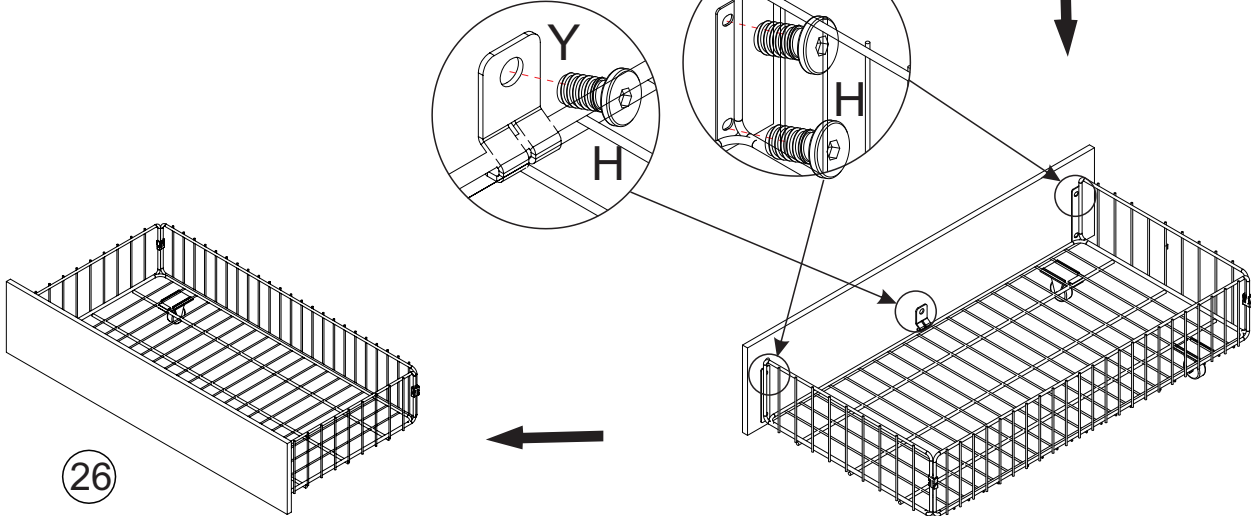
X2

SIDERAIL BRACKET





26 matched with 28



### FOOTBOARD BRACKET

