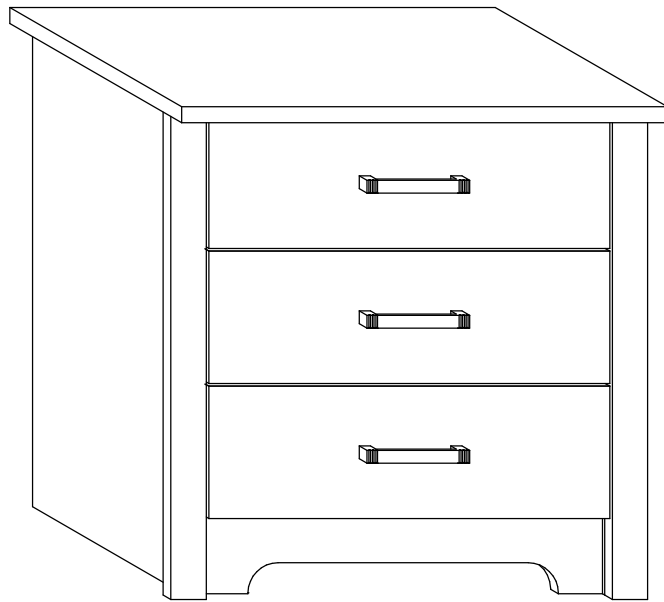
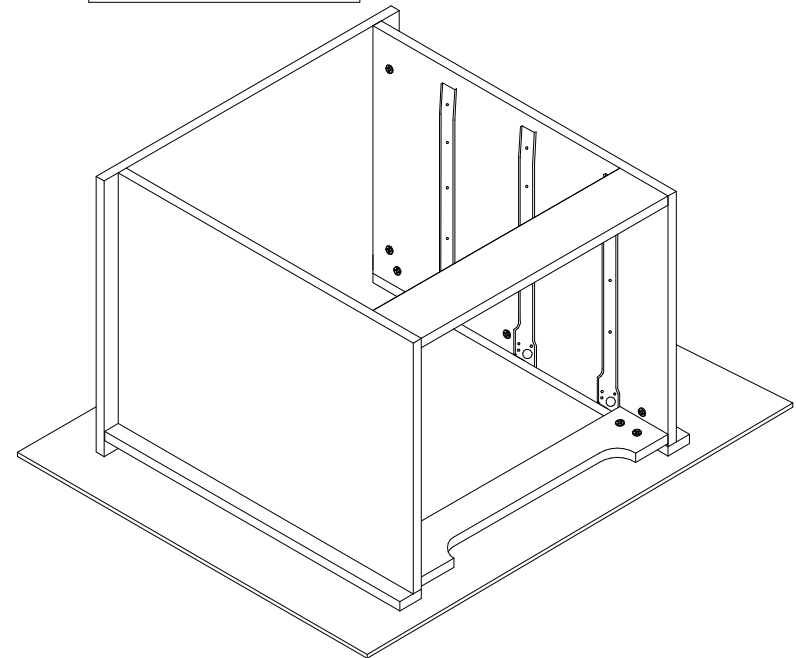
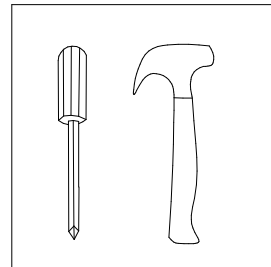


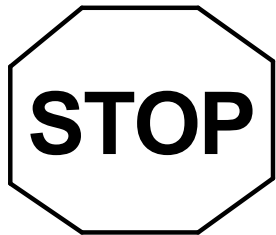
NIGHT STAND

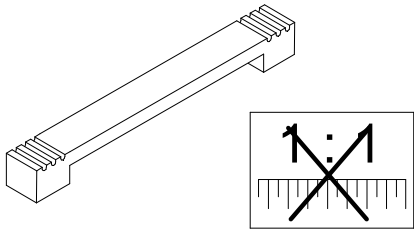


Required Tools : Screwdriver & Hammer



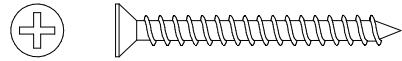
Please place on the carton while installing to prevent damage or scratches.





A **3PCS**

Plastic Handle



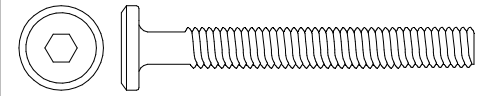
B **6PCS**

Handle Screw
M4 X 40mm



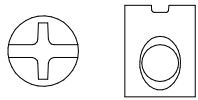
C **18PCS**

Wood Dowel
M6 X 30mm



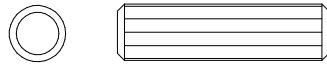
D **6PCS**

JCBC Bolt
M6 X 50mm



E **6PCS**

Barrel Nut



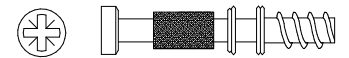
F **2PCS**

Wood Dowel
M8 X 30mm



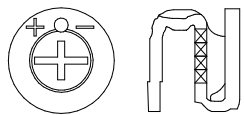
G **1PC**

Allen Key



H **30PCS**

Cam Screw



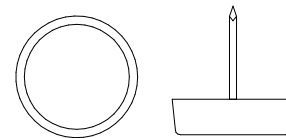
I **30PCS**

Cam Lock



J **16PCS**

Nail



K **4PCS**

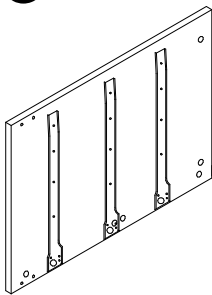
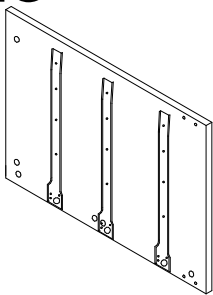
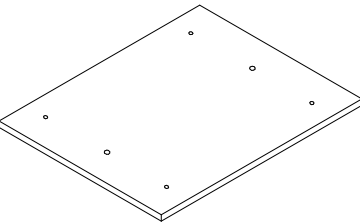
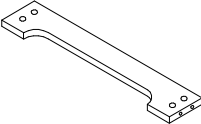
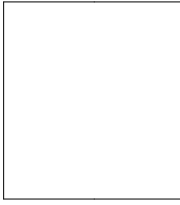
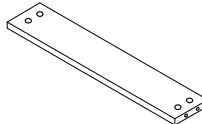
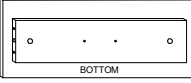




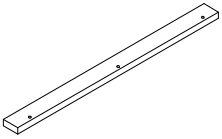
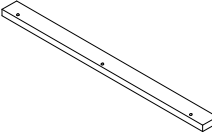
Nail Leg With Pin

1 : 1

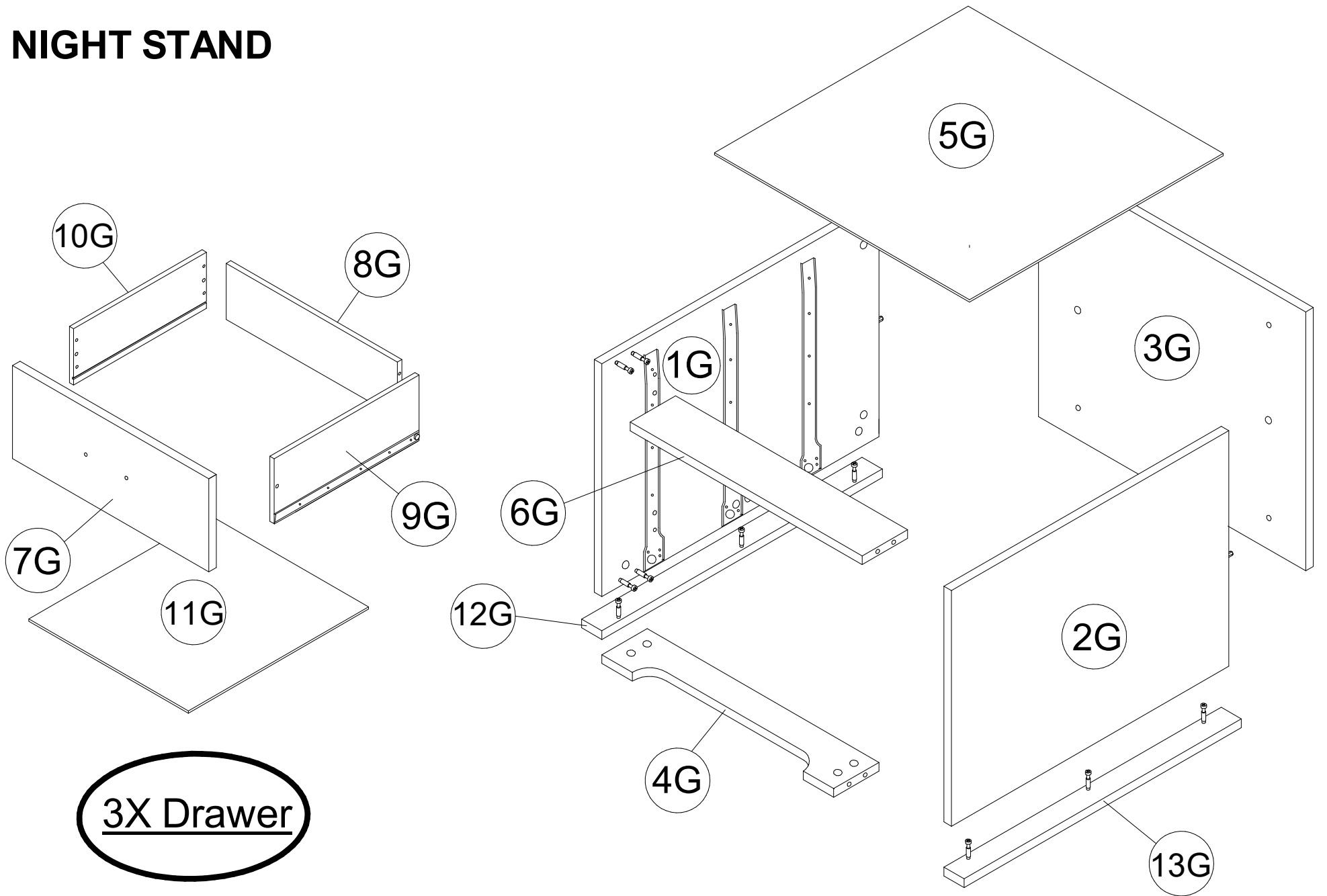


ASSEMBLY INSTRUCTION (PART)

NIGHT STAND

<p>1G</p>  <p style="text-align: center;">SIDE PANEL (R) (1PC)</p>	<p>2G</p>  <p style="text-align: center;">SIDE PANEL (L) (1PC)</p>	<p>3G</p>  <p style="text-align: center;">TABLE TOP (1PC)</p>	<p>4G</p>  <p style="text-align: center;">APRON FRONT PANEL (1PC)</p>	<p>5G</p>  <p style="text-align: center;">BACK PANEL (1PC)</p>	<p>6G</p>  <p style="text-align: center;">APRON BACK PANEL (1PC)</p>		
<p>7G</p>  <p style="text-align: center;">DRAWER TOP (3PCS)</p>		<p>8G</p>  <p style="text-align: center;">DRAWER BACK PANEL (3PCS)</p>		<p>9G</p>  <p style="text-align: center;">DRAWER SIDE PANEL R (3PCS)</p>		<p>10G</p>  <p style="text-align: center;">DRAWER SIDE PANEL L (3PCS)</p>	
<p>11G</p>  <p style="text-align: center;">DRAWER PANEL (3PCS)</p>		<p>12G</p>  <p style="text-align: center;">FRAME (R) (1PC)</p>			<p>13G</p>  <p style="text-align: center;">FRAME (L) (1PC)</p>		

NIGHT STAND


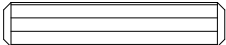


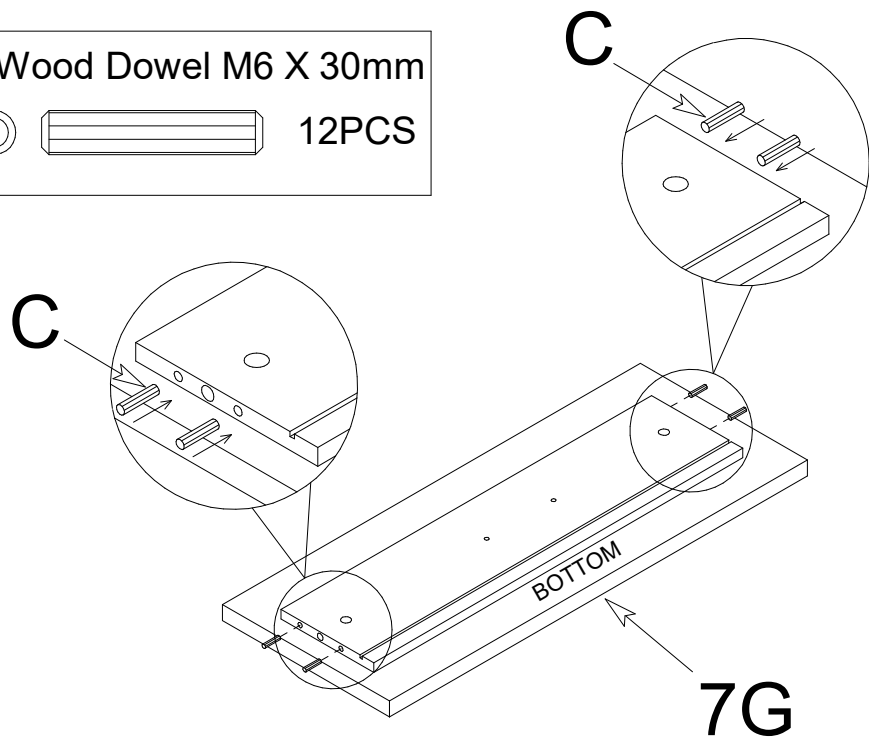
ASSEMBLY INSTRUCTION NIGHT STAND

STEP 1.

3X Drawer

C-Wood Dowel M6 X 30mm

  12PCS



Pre-Assembly

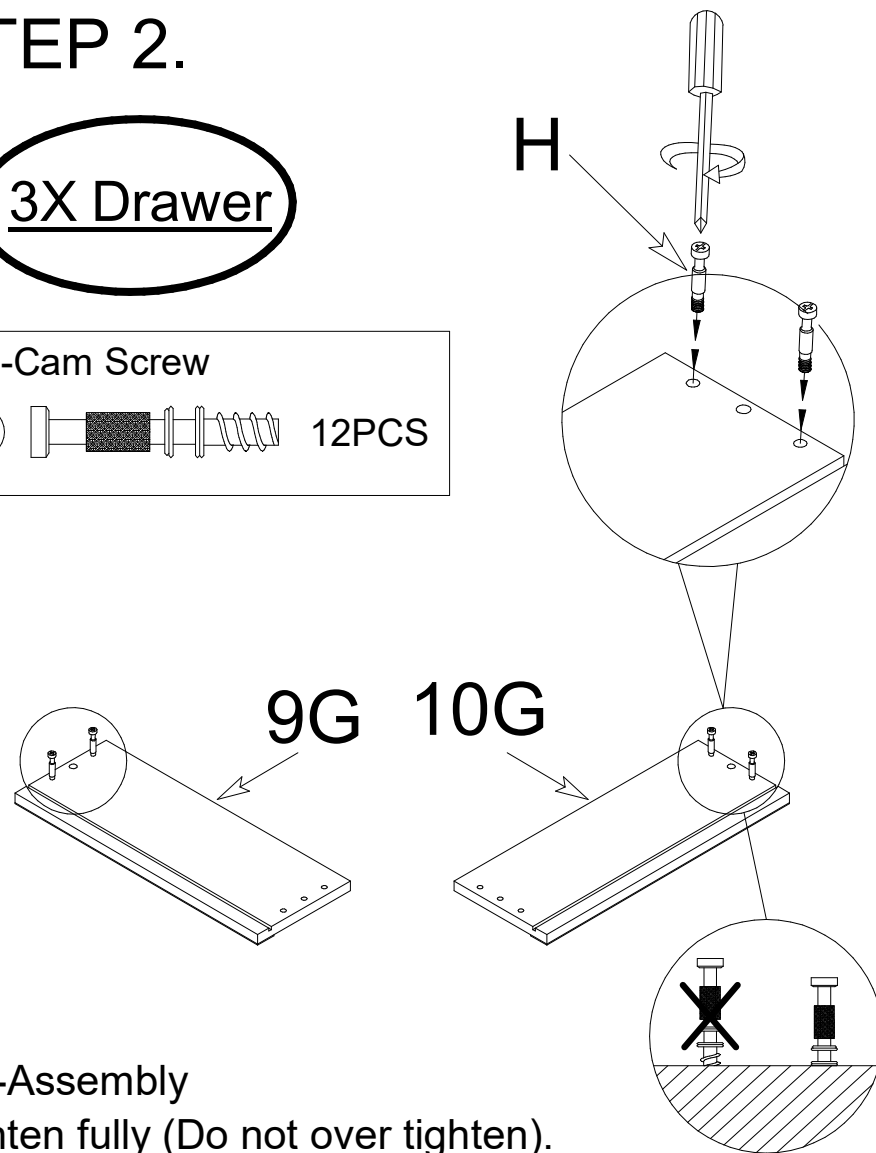
Insert wood dowel in predrilled hole.

STEP 2.

3X Drawer

H-Cam Screw

  12PCS



Pre-Assembly

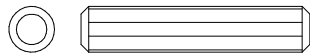
Tighten fully (Do not over tighten).

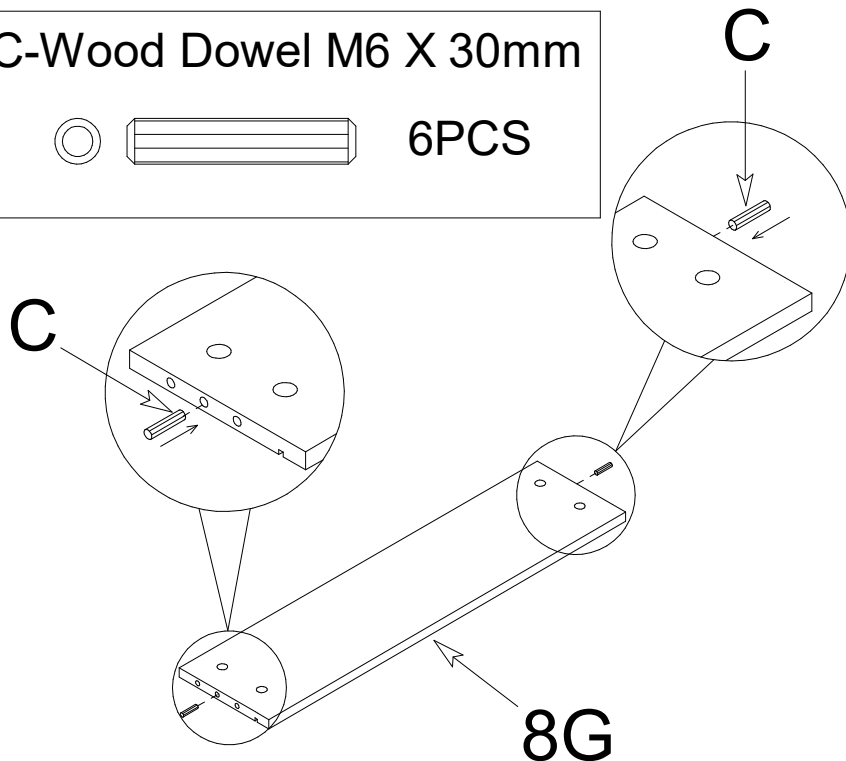
ASSEMBLY INSTRUCTION NIGHT STAND

STEP 3.

3X Drawer

C-Wood Dowel M6 X 30mm

 6PCS



Pre-Assembly

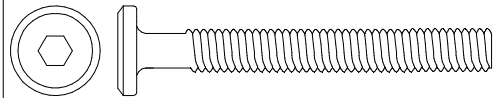
Insert wood dowel in predrilled hole.

STEP 4.

3X Drawer

10G

D-JCBC Bolt M6 X 50mm

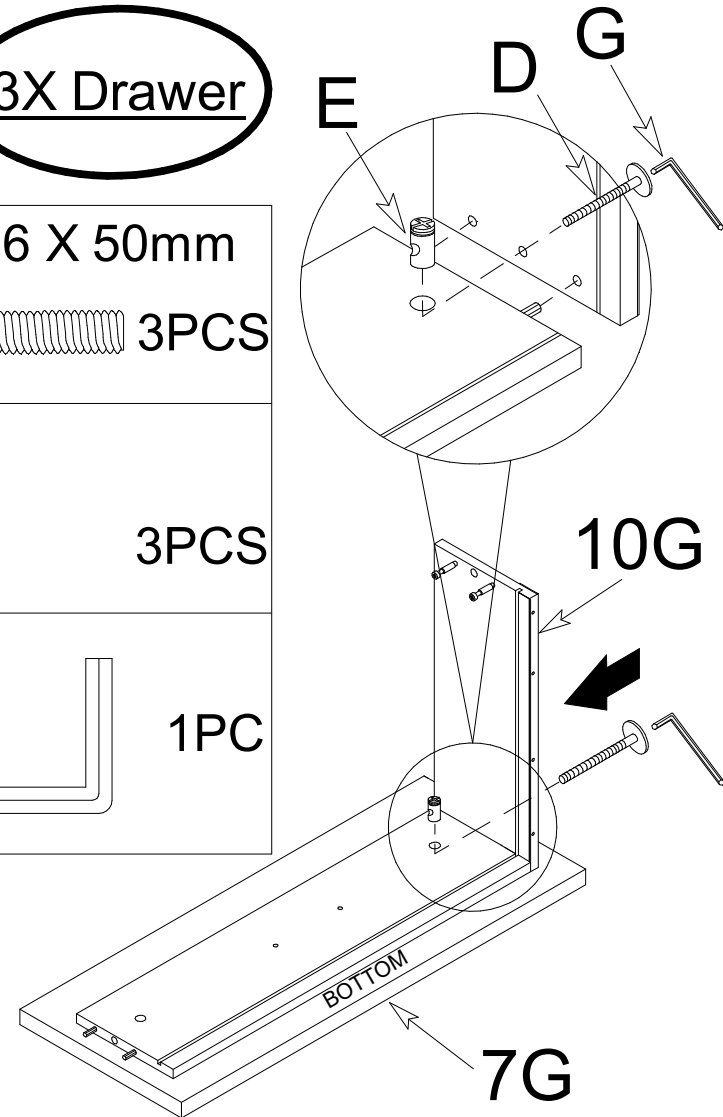
 3PCS

E-Barrel Nut

 3PCS

G-Allen Key

 1PC



Tighten fully. (Do not over tighten).

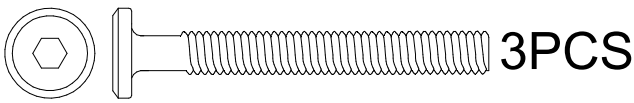
ASSEMBLY INSTRUCTION NIGHT STAND

STEP 5.

3X Drawer

9G

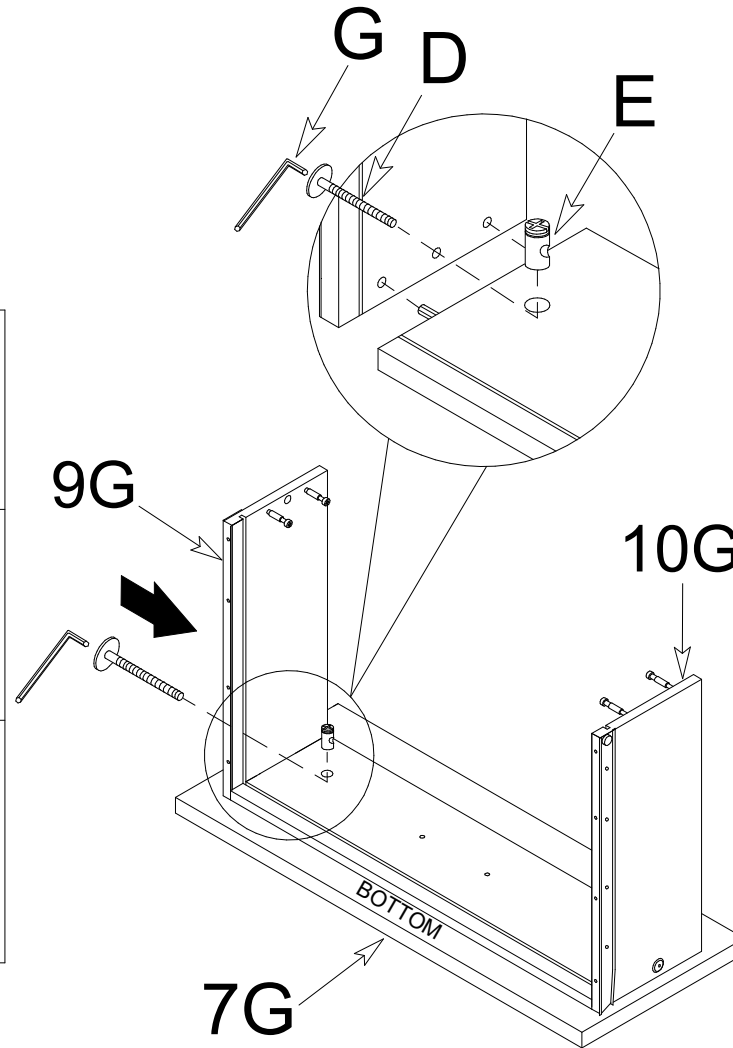
D-JCBC Bolt M6 X 50mm



E-Barrel Nut



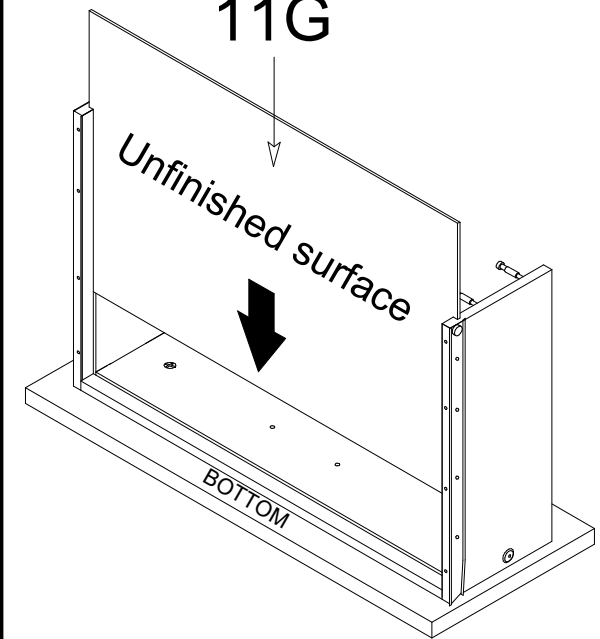
G-Allen Key



STEP 6.

3X Drawer

11G

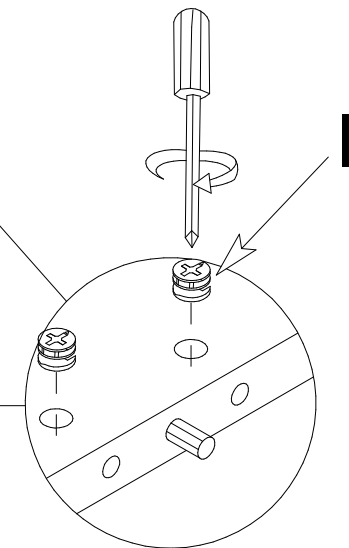
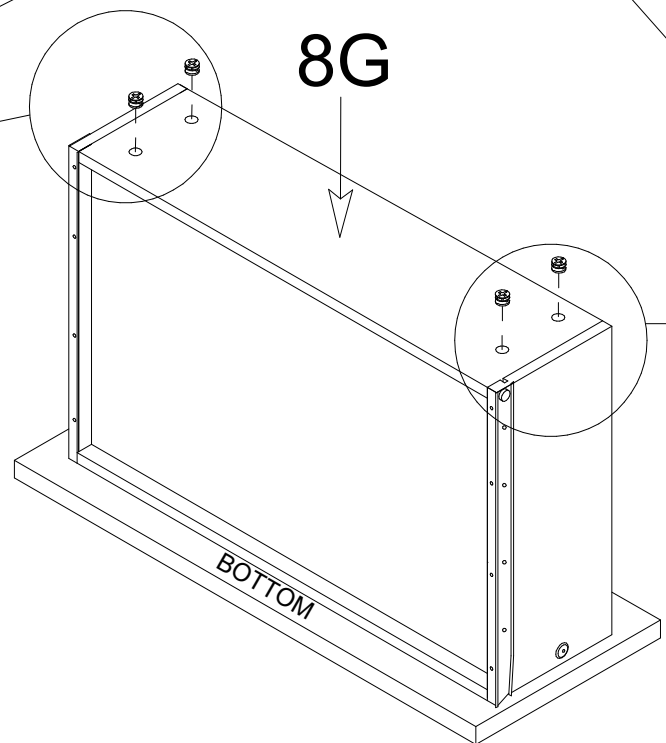
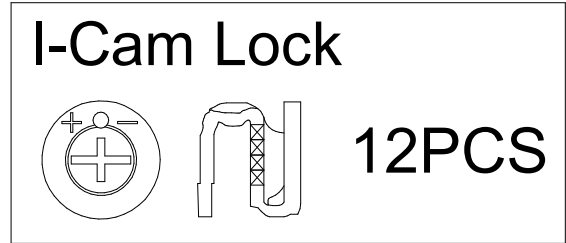
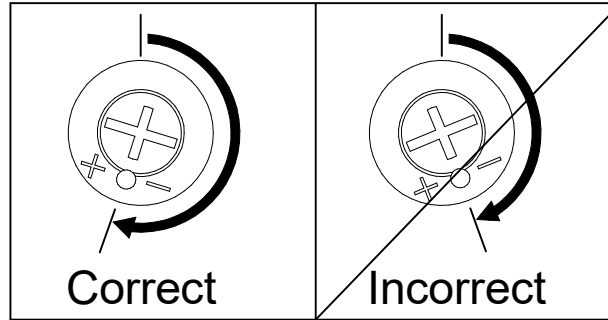
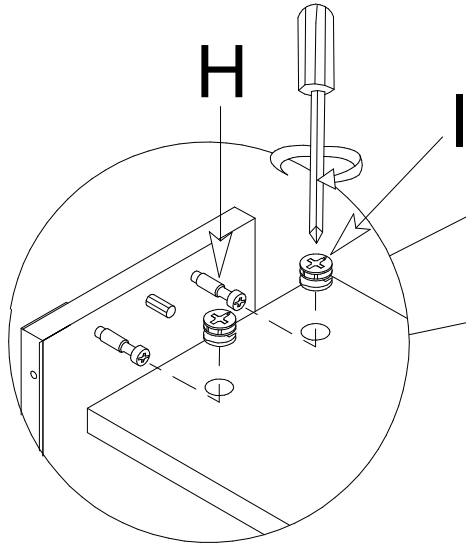


Tighten fully. (Do not over tighten).

ASSEMBLY INSTRUCTION NIGHT STAND

STEP 7.

Tighten fully. (Do not over tighten).



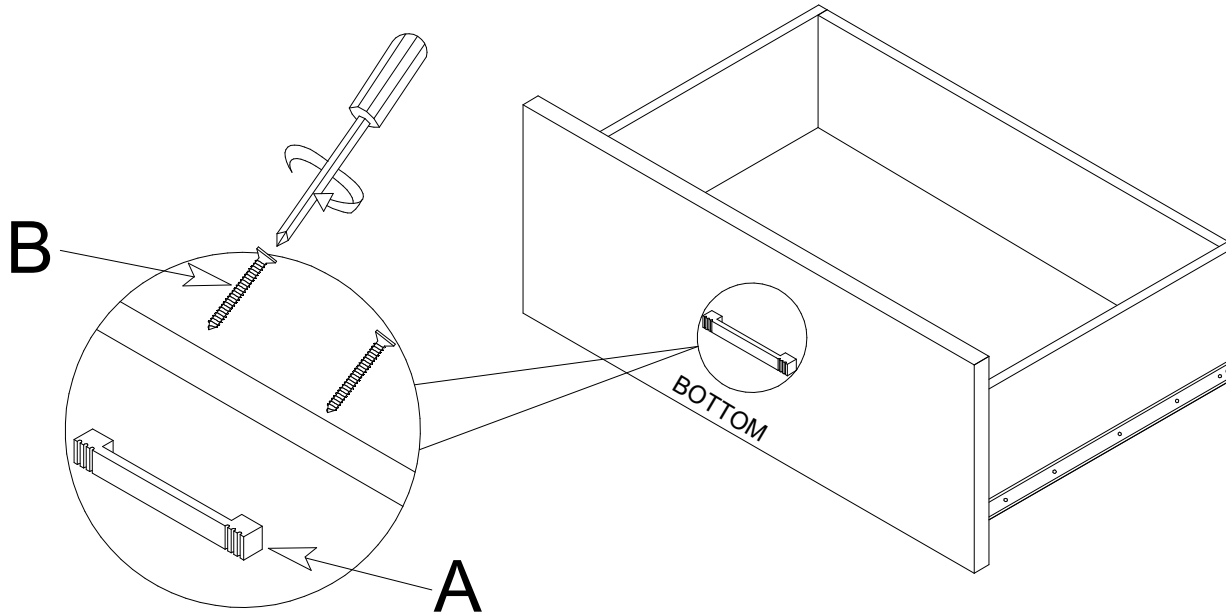
Proper orientation
of Cam Lock (I).
1/2 turn to fully lock.

3X Drawer

ASSEMBLY INSTRUCTION NIGHT STAND

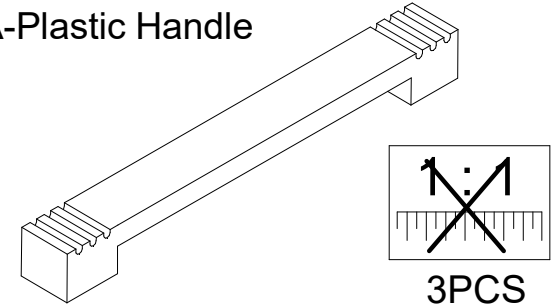
STEP 8.

3X Drawer



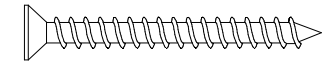
Attach handle using handle screw (B).

A-Plastic Handle



3PCS

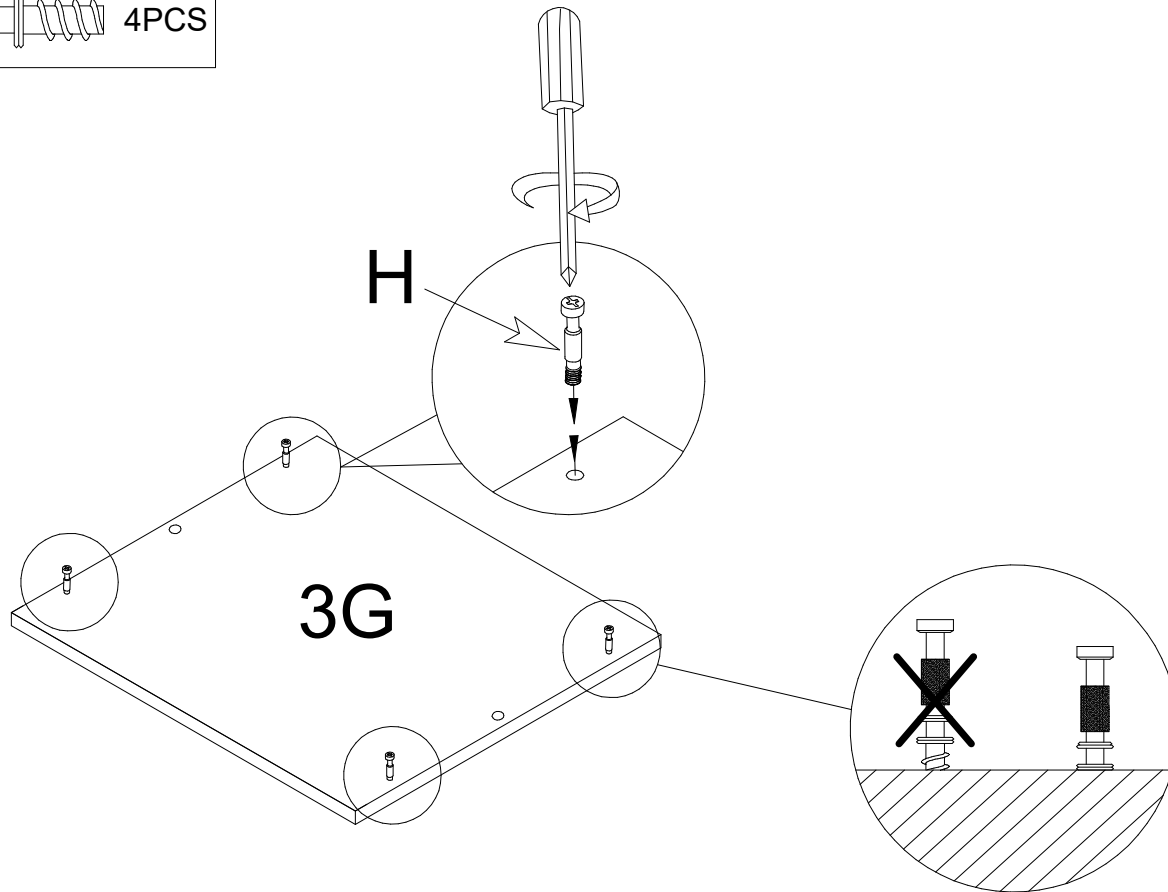
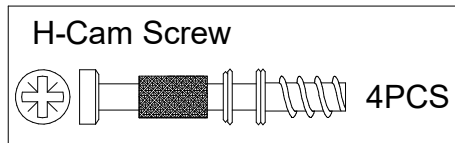
B-Handle Screw M4 X 40mm



6PCS

ASSEMBLY INSTRUCTION NIGHT STAND

STEP 9.

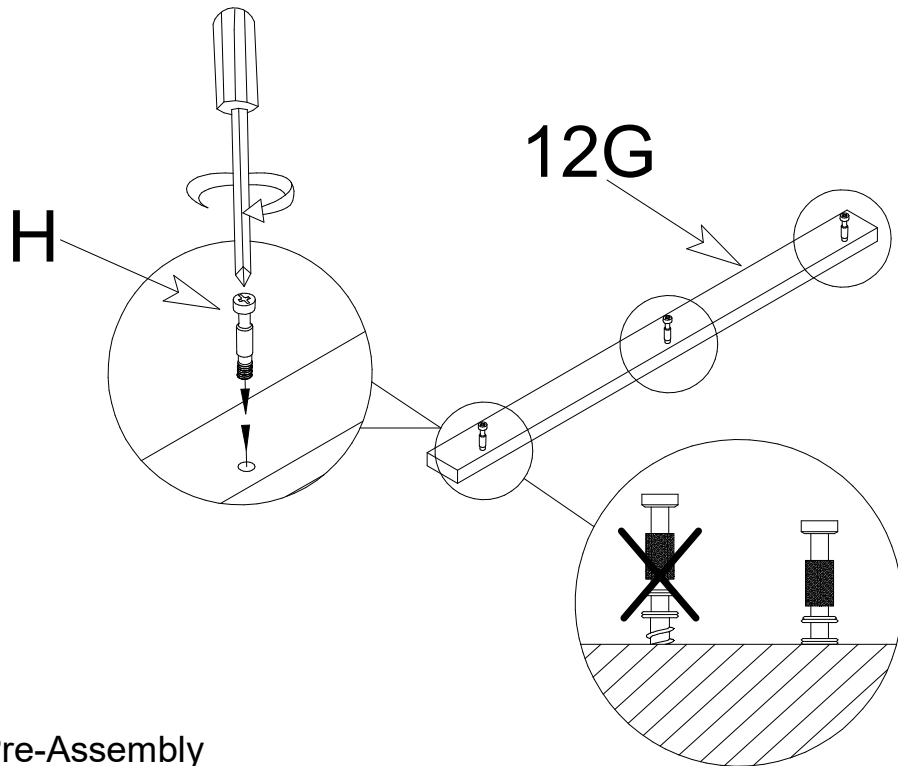
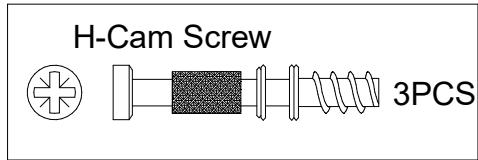


Pre-Assembly

Tighten fully. (Do not over tighten).

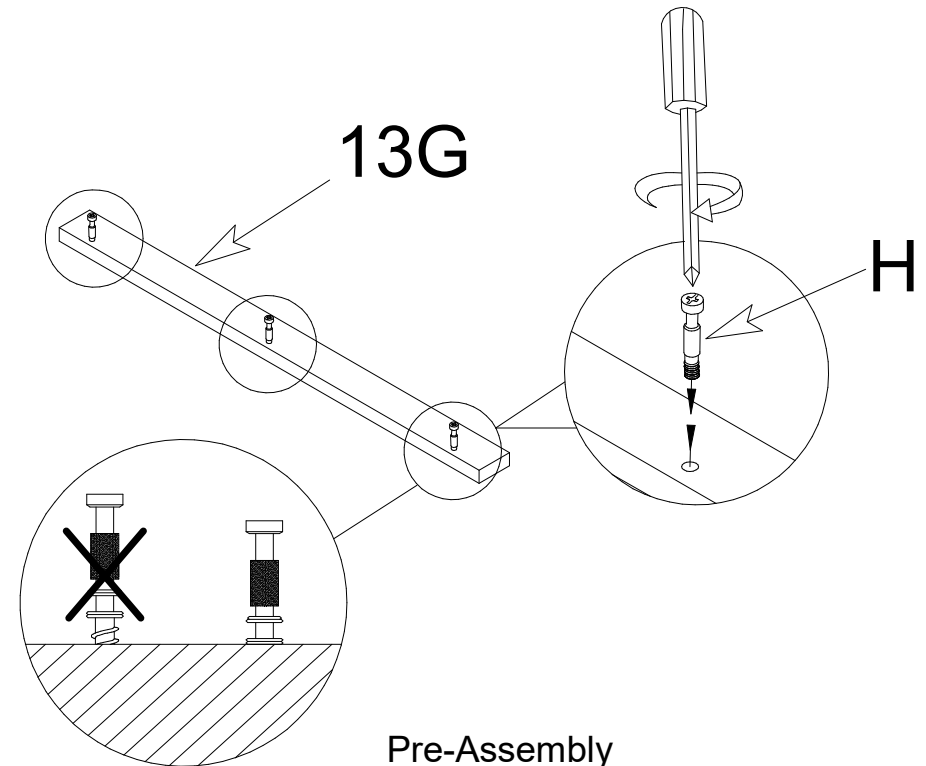
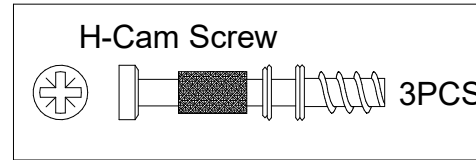
ASSEMBLY INSTRUCTION NIGHT STAND

STEP 10.



Pre-Assembly
Tighten fully.(Do not over tighten).

STEP 11.

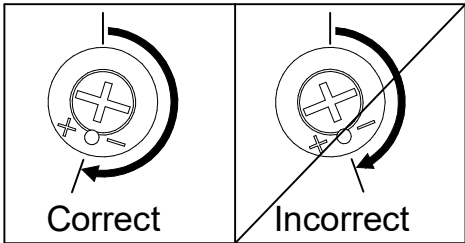


Pre-Assembly
Tighten fully.(Do not over tighten).

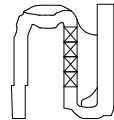
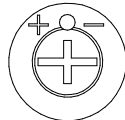
ASSEMBLY INSTRUCTION

NIGHT STAND

STEP 12.

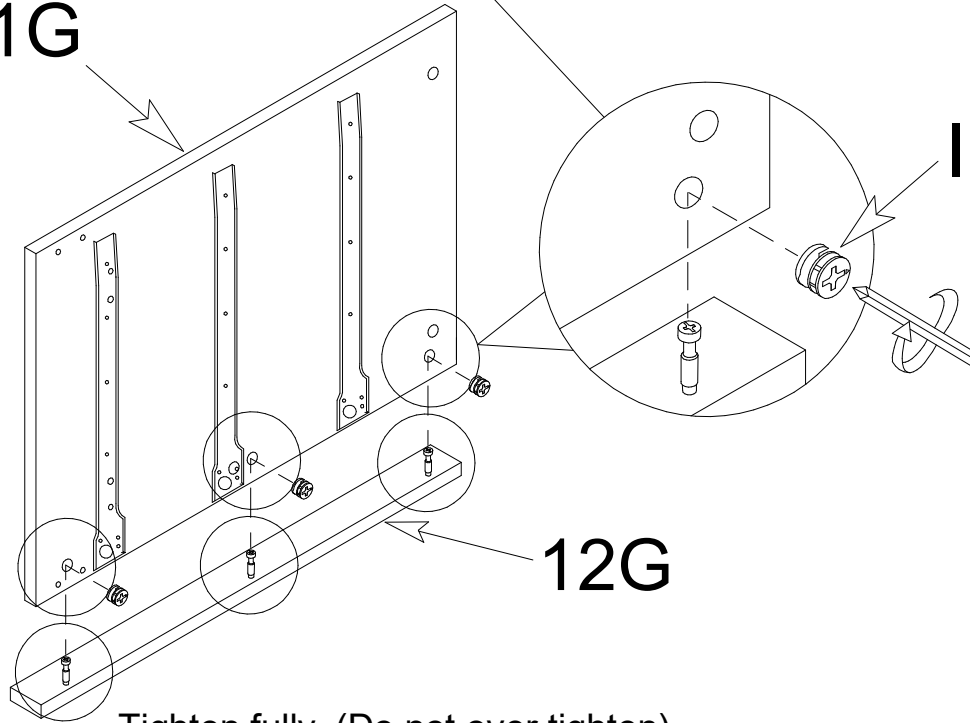


I-Cam Lock



3PCS

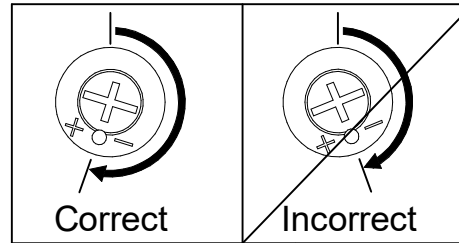
1G



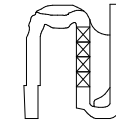
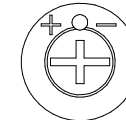
12G

Tighten fully. (Do not over tighten).
Proper orientation of Cam Lock (l)1/2 turn to fully lock.

STEP 13.

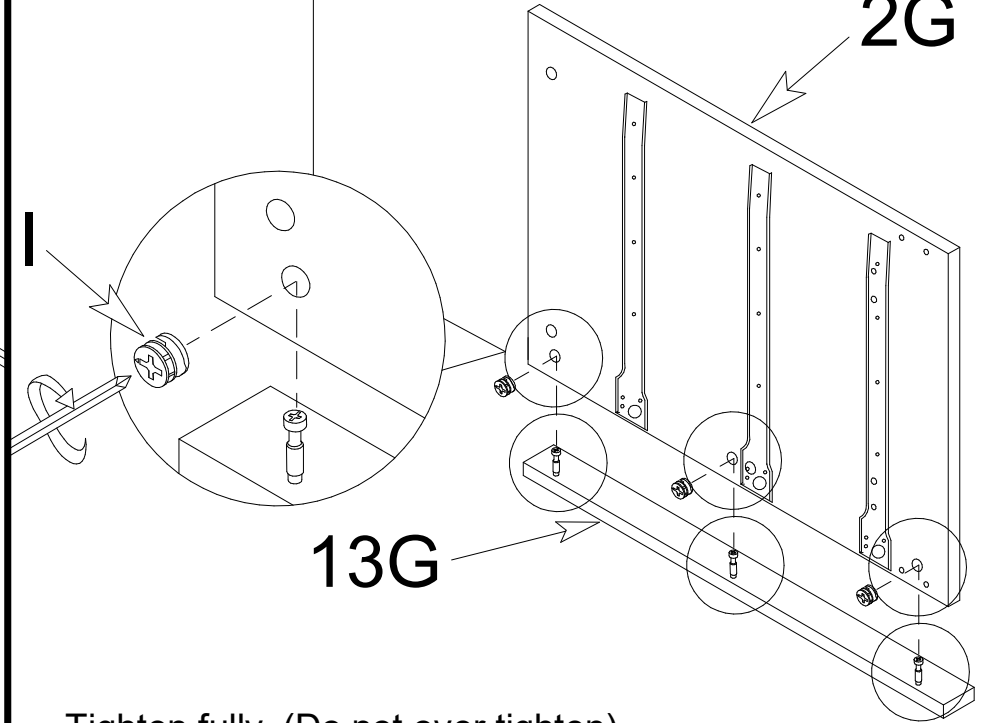


I-Cam Lock



3PCS

2G



13G

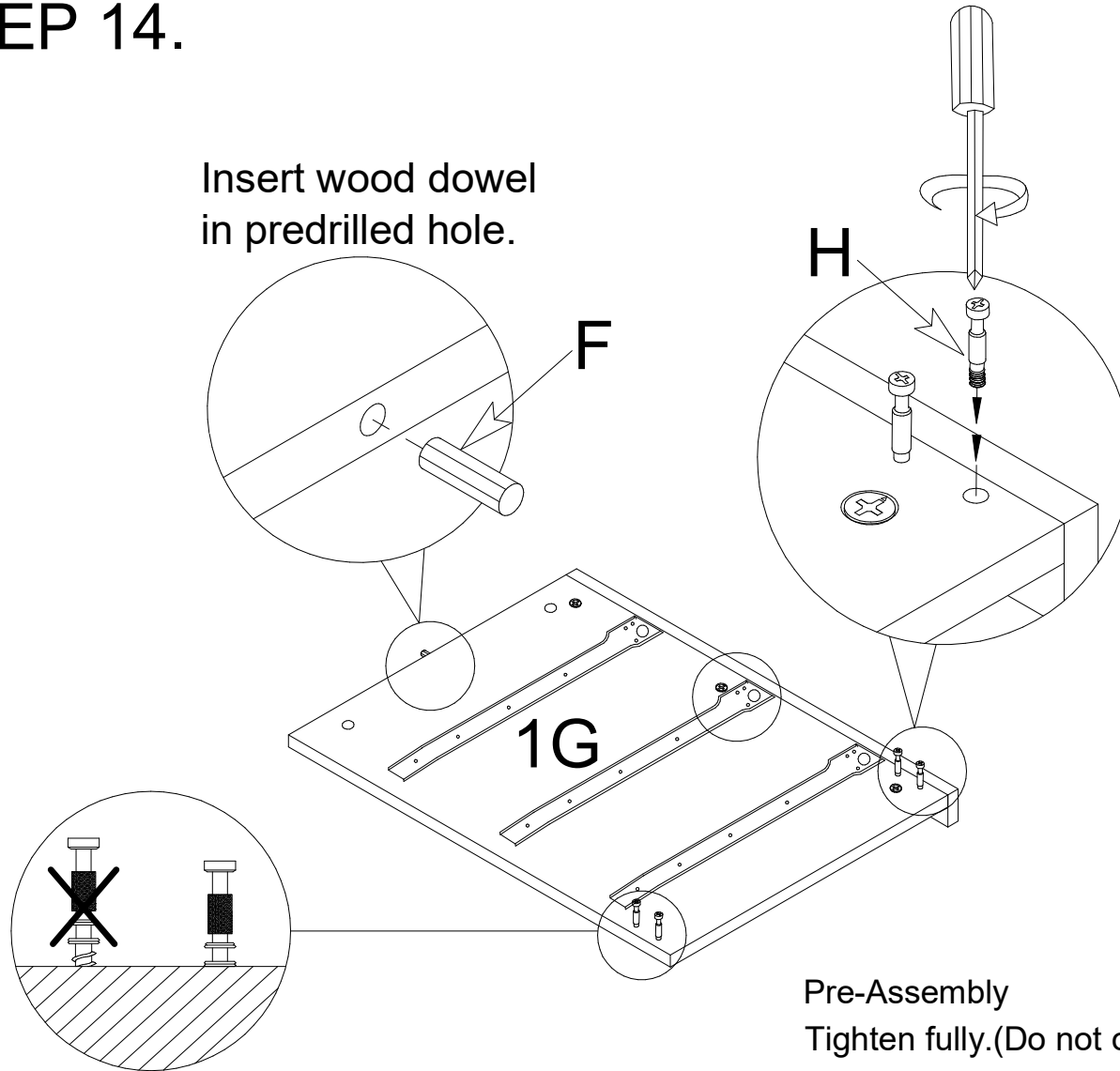
Tighten fully. (Do not over tighten).
Proper orientation of Cam Lock (l)1/2 turn to fully lock.

ASSEMBLY INSTRUCTION

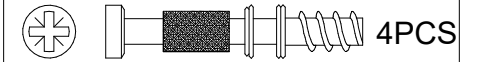
NIGHT STAND

STEP 14.

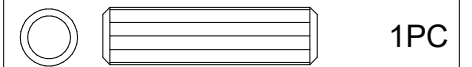
Insert wood dowel
in predrilled hole.



H-Cam Screw



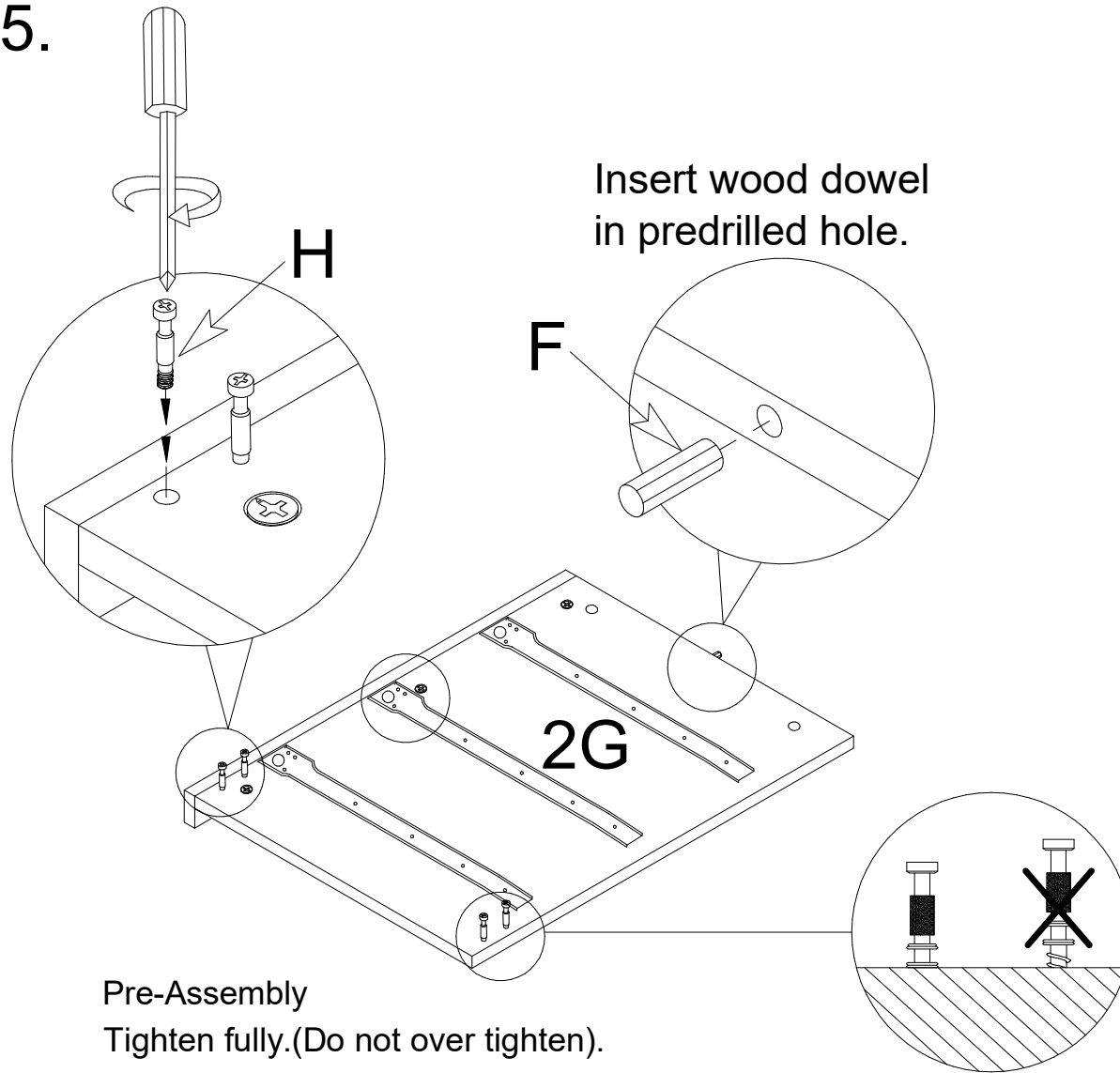
F-Wood Dowel M8 X 30


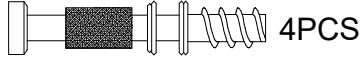

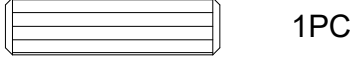


ASSEMBLY INSTRUCTION

NIGHT STAND

STEP 15.

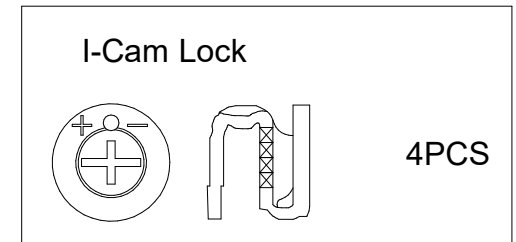
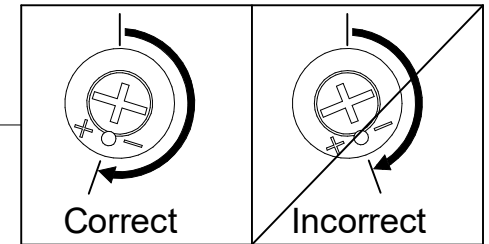
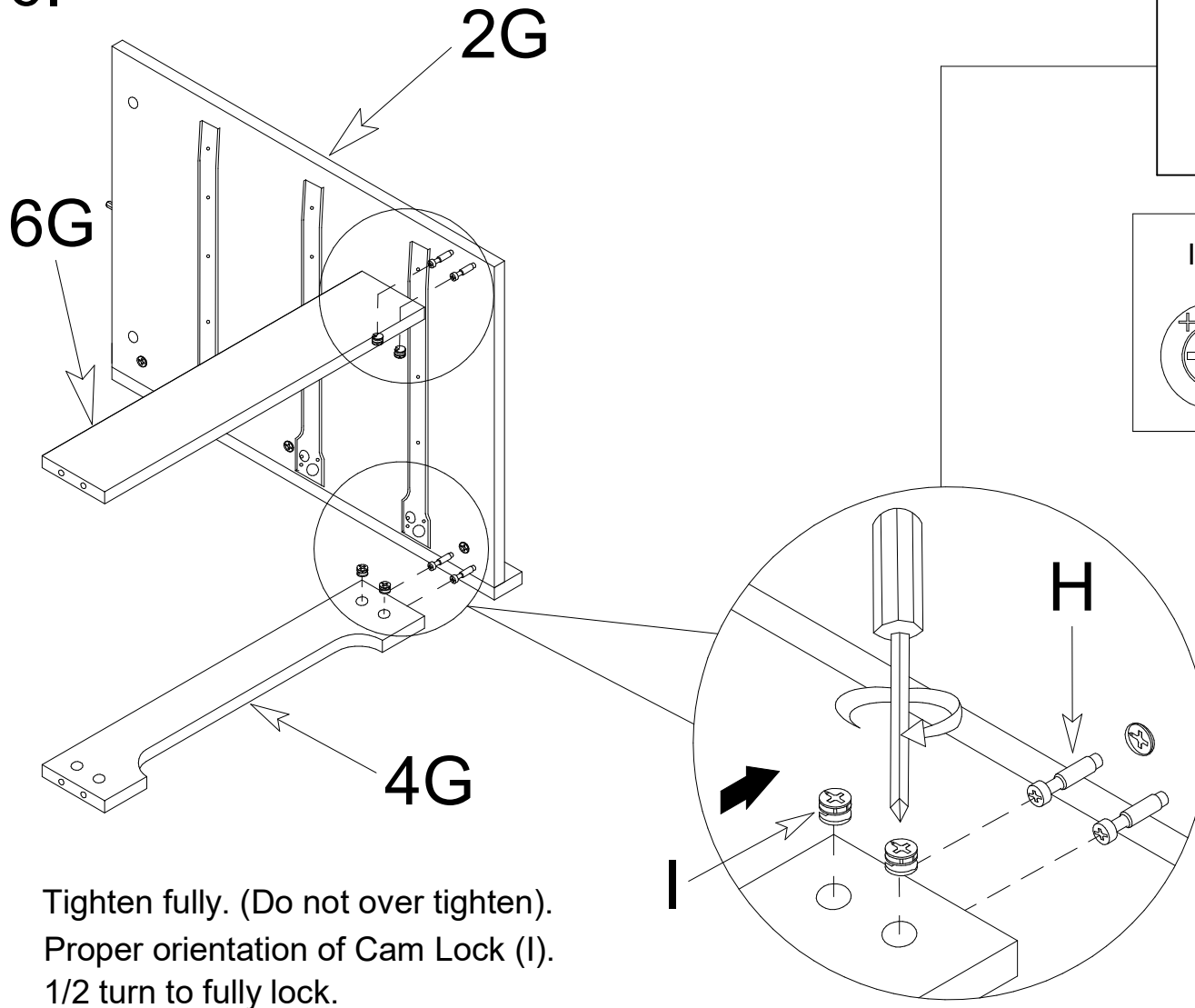


H-Cam Screw	
	 4PCS
F-Wood Dowel M8 X 30	
	 1PC

ASSEMBLY INSTRUCTION

NIGHT STAND

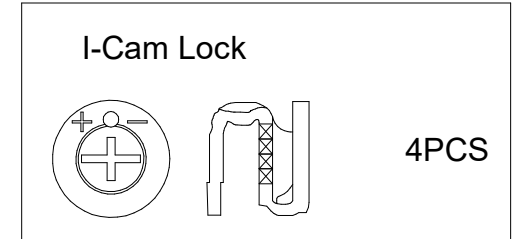
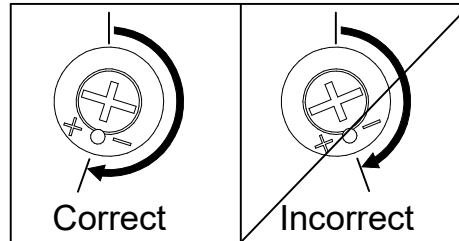
STEP 16.



Tighten fully. (Do not over tighten).
Proper orientation of Cam Lock (I).
1/2 turn to fully lock.

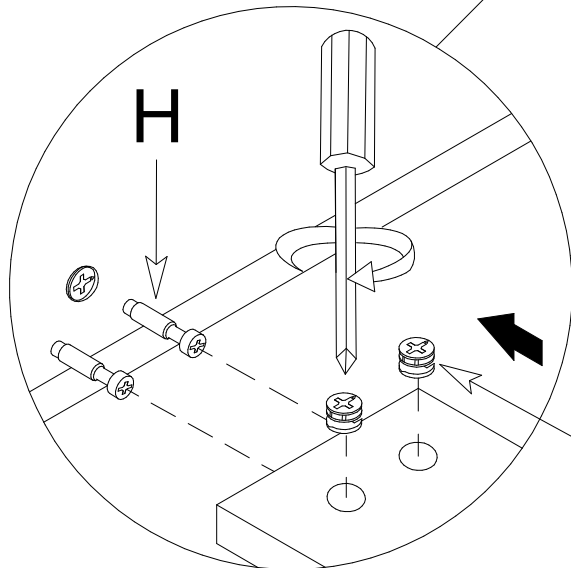
ASSEMBLY INSTRUCTION NIGHT STAND

STEP 17.



Tighten fully. (Do not over tighten).
Proper orientation of Cam Lock (I).
1/2 turn to fully lock.

1G

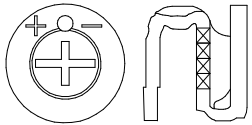


ASSEMBLY INSTRUCTION

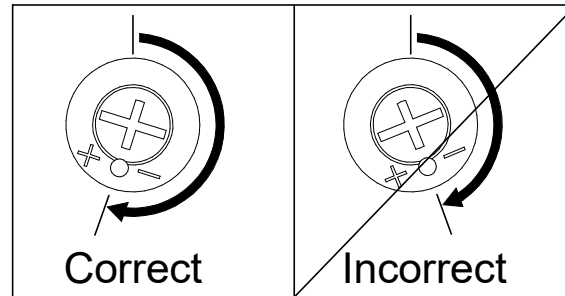
NIGHT STAND

STEP 18.

I-Cam Lock

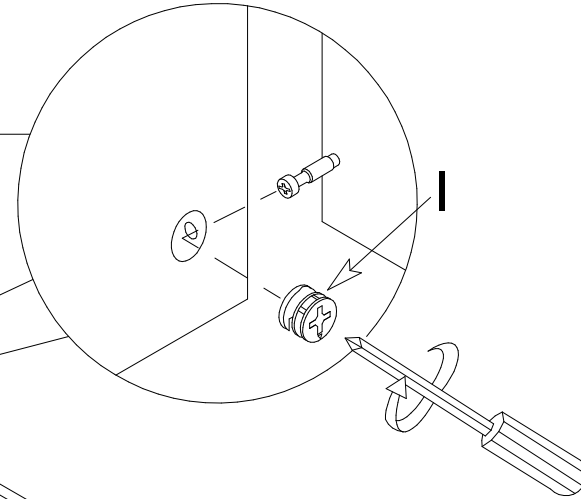
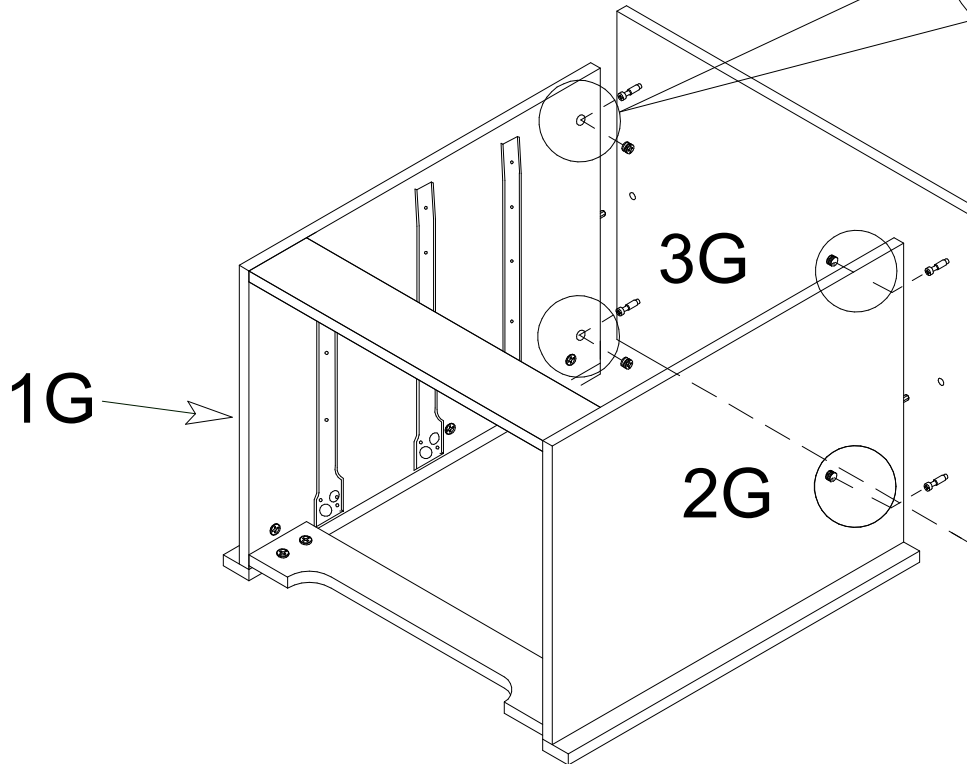


4PCS



Correct

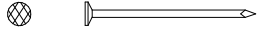
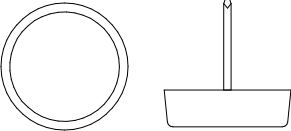
Incorrect

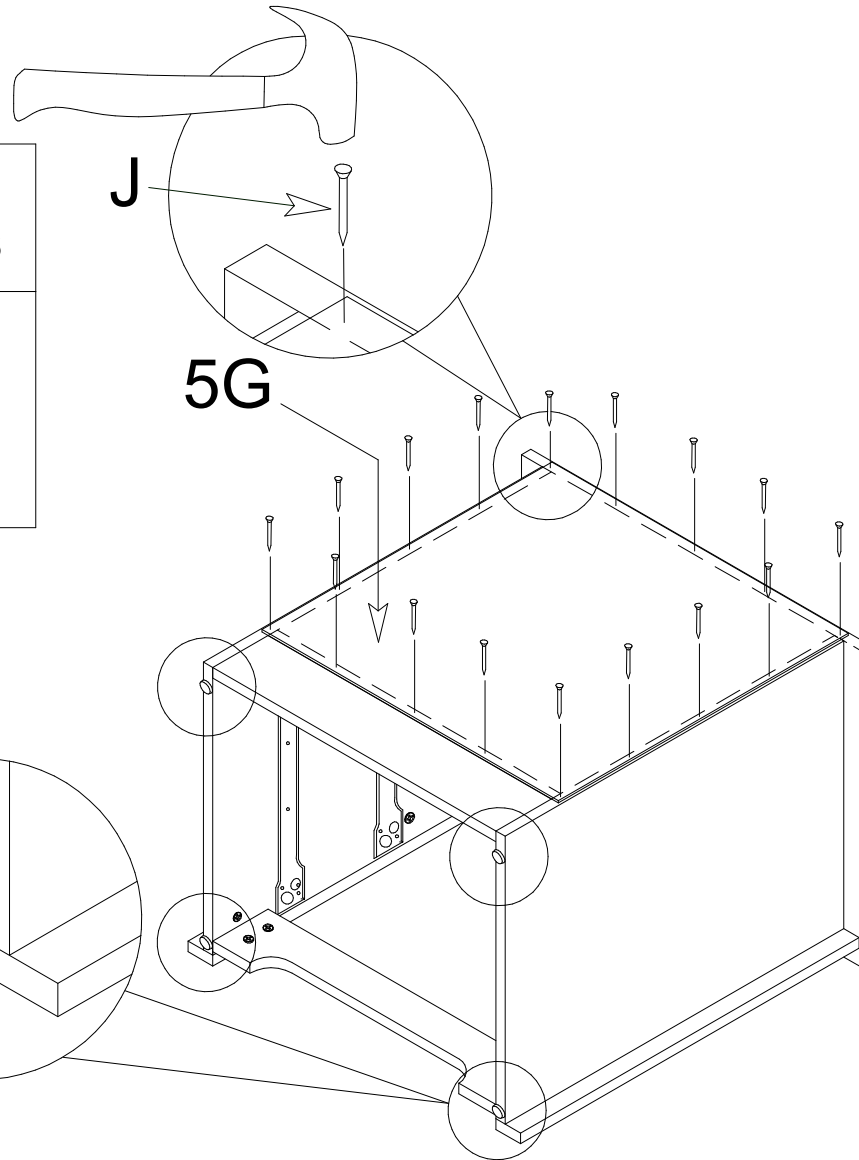


Tighten fully. (Do not over tighten).
Proper orientation of Cam Lock (I).
1/2 turn to fully lock.

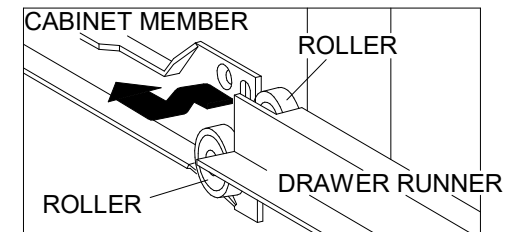
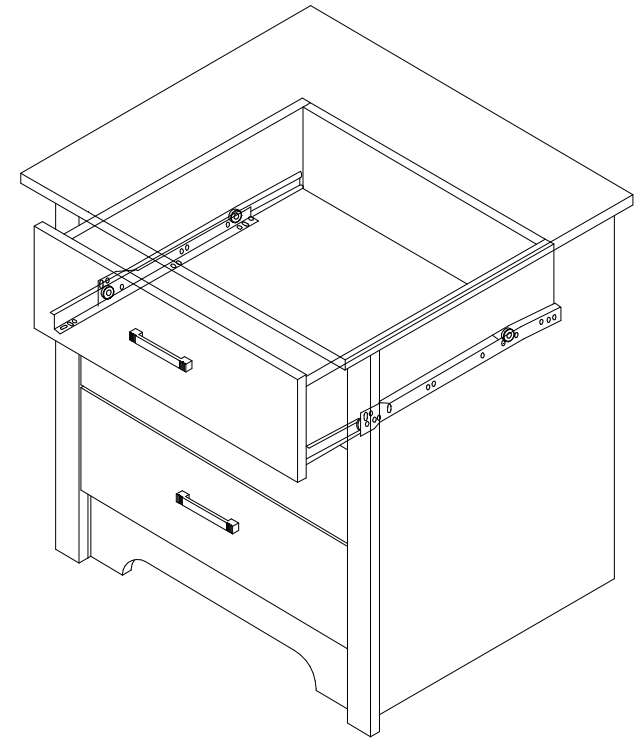
ASSEMBLY INSTRUCTION NIGHT STAND

STEP 19.

J-Nail		16PCS
		
K-Nail Leg With Pin		4PCS
		



STEP 20.



Put in drawer on the track.