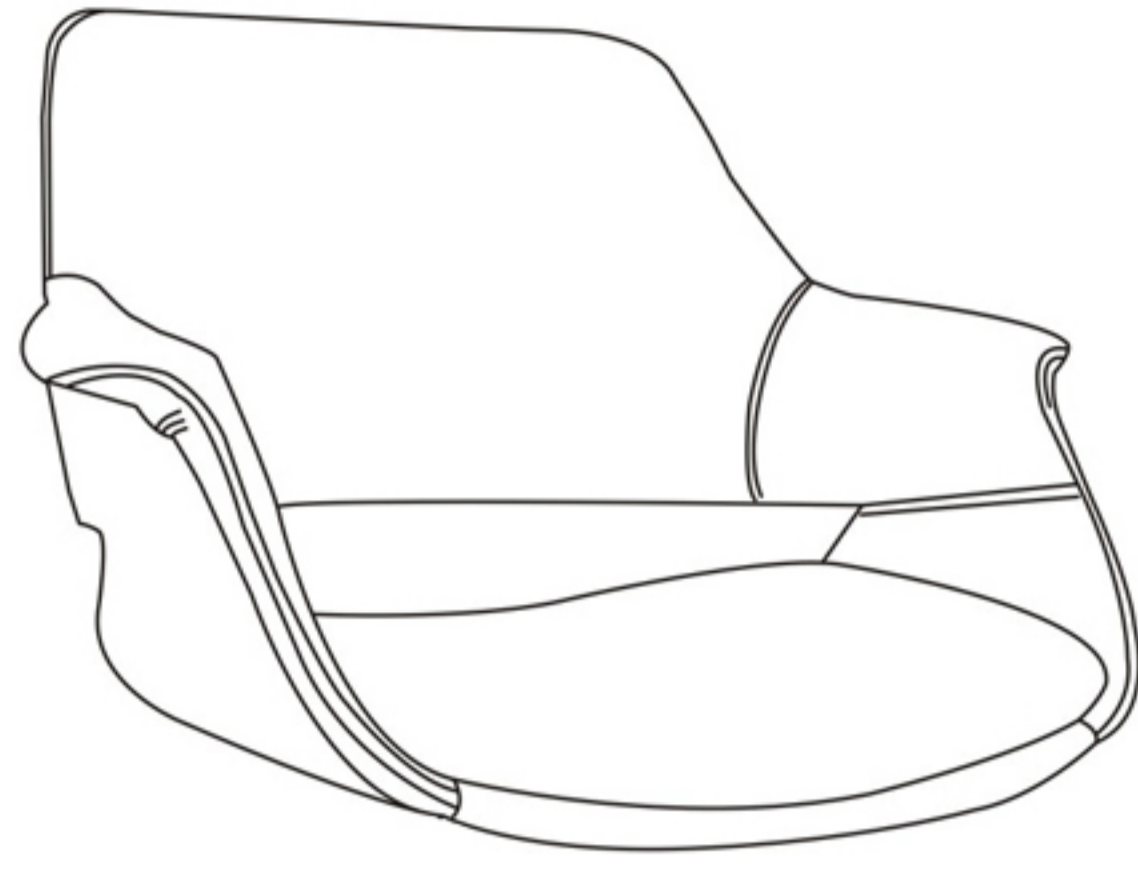


ASSEMBLING INSTRUCTION

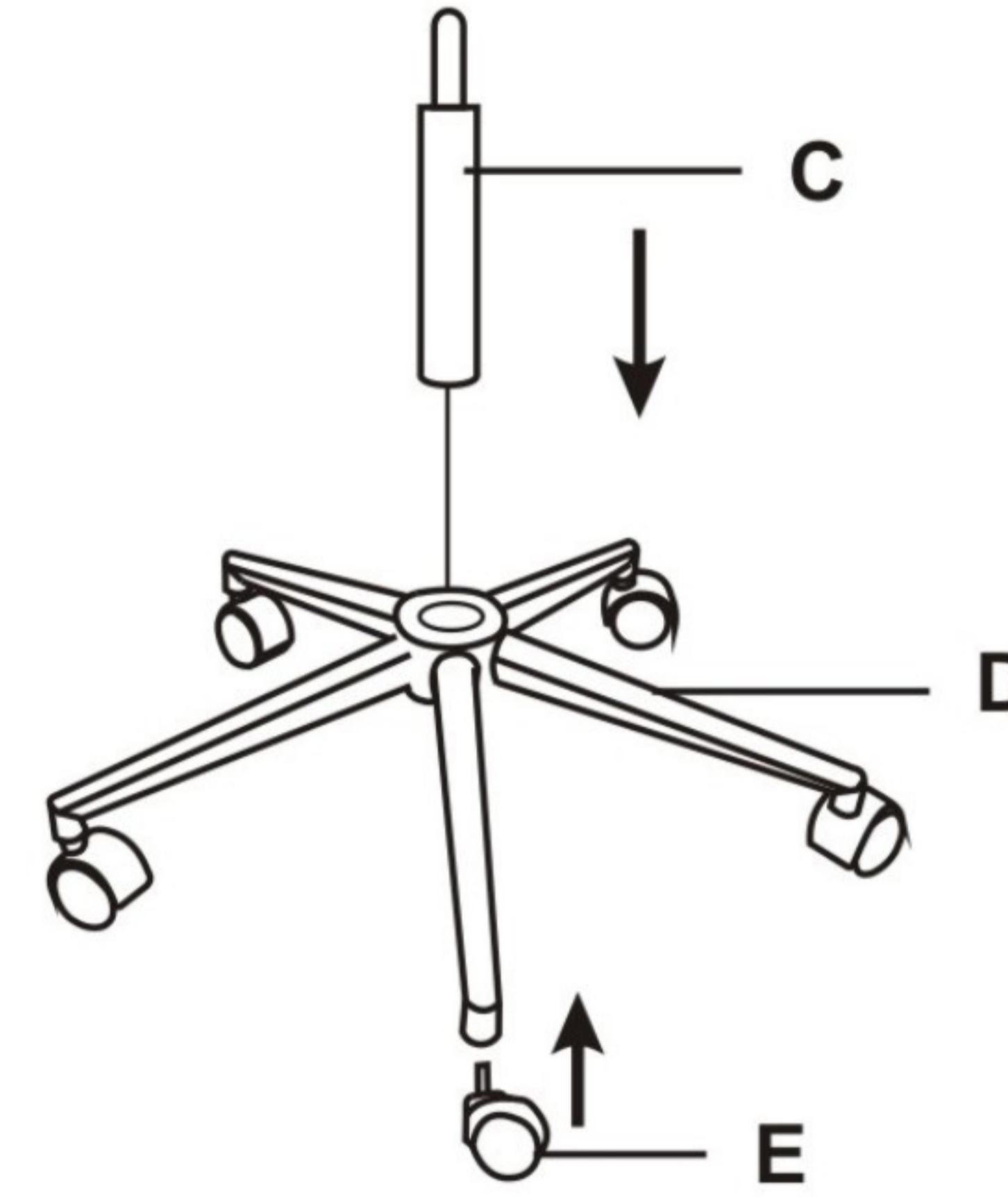
Ax1



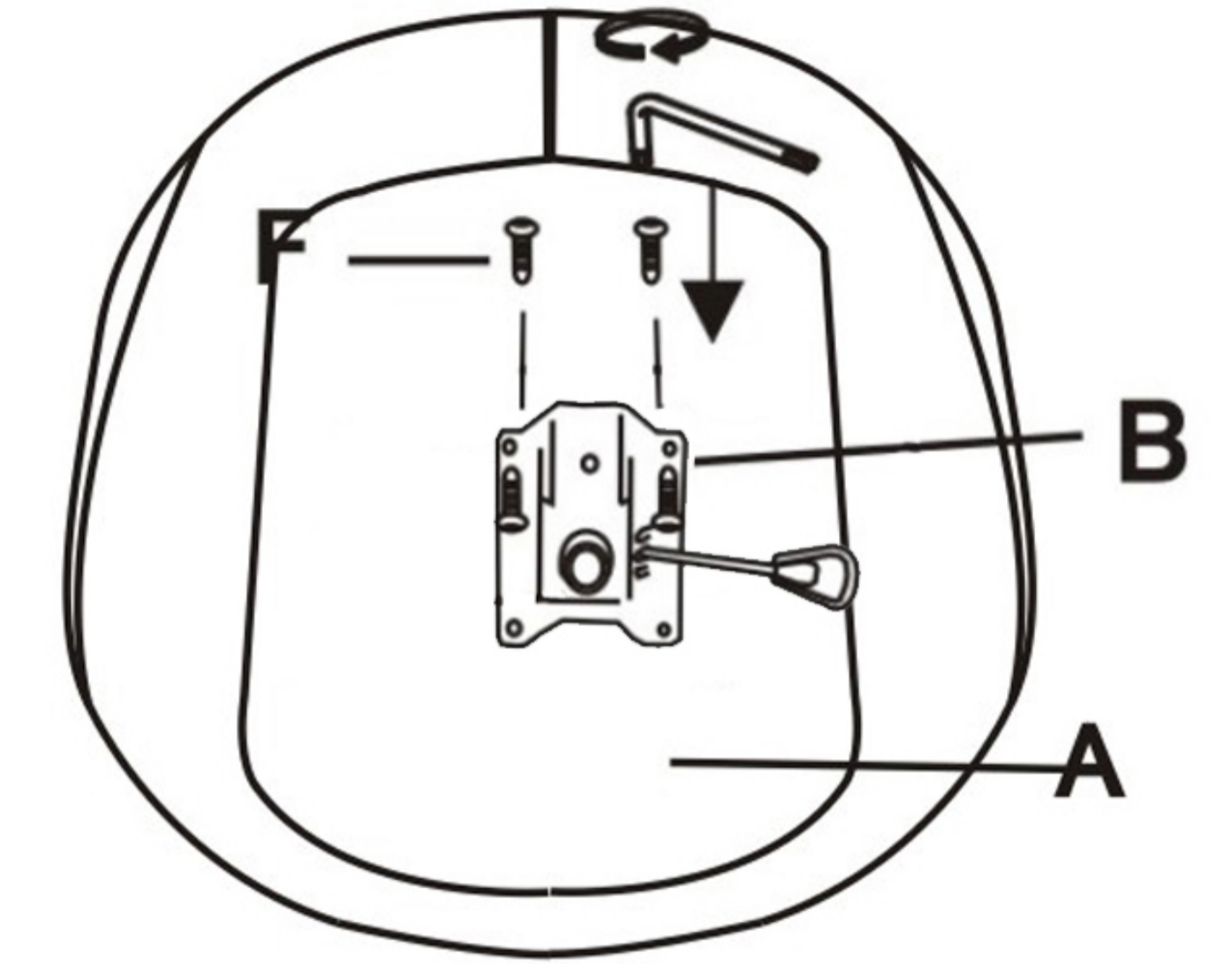
Dx1



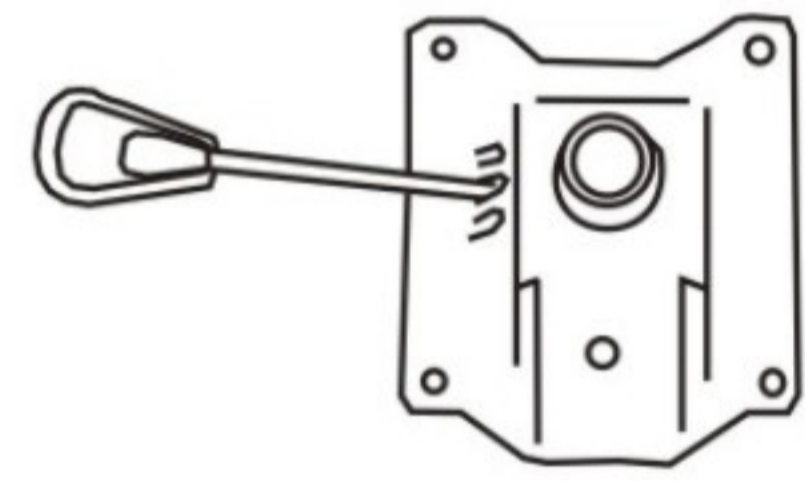
1



2



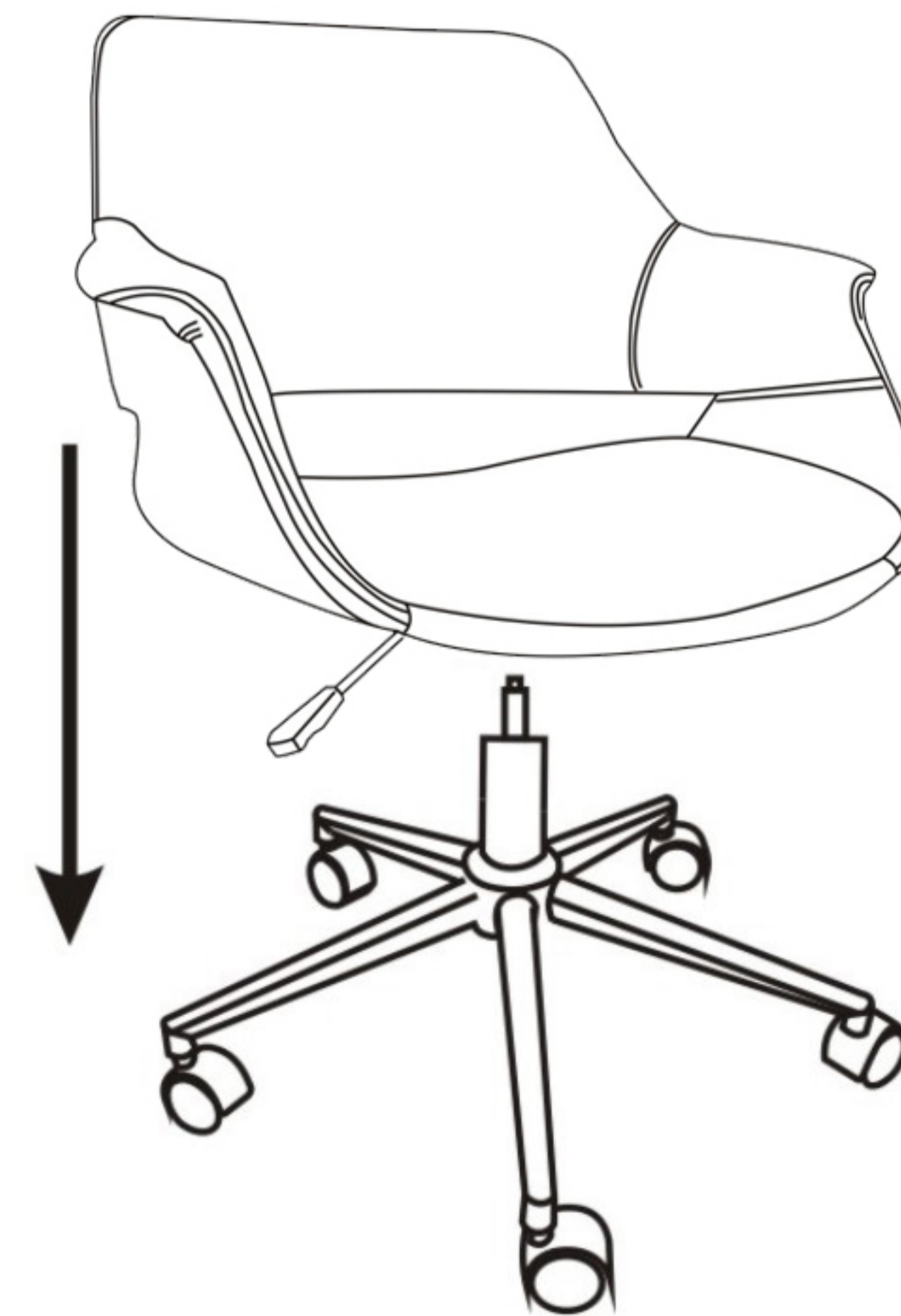
Bx1



Ex5



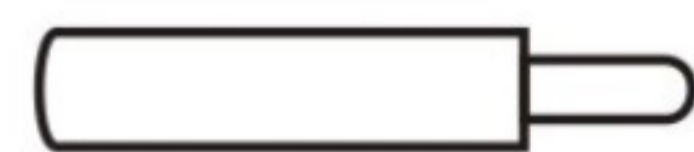
3



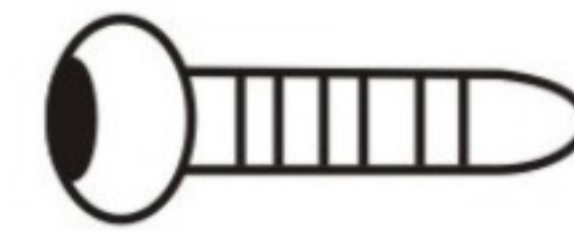
4



Cx1



Fx4



Gx1

