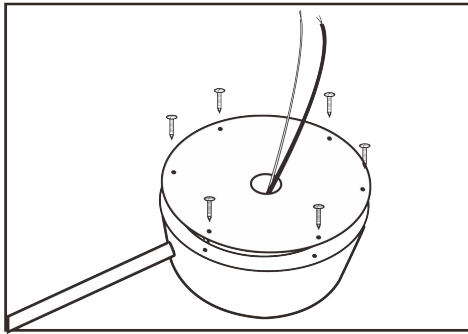


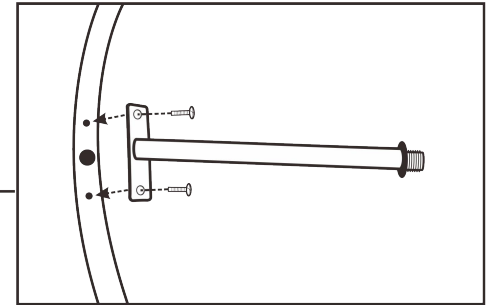
INSTALLATION INSTRUCTION

Installation sequence: a-b-c-d-e

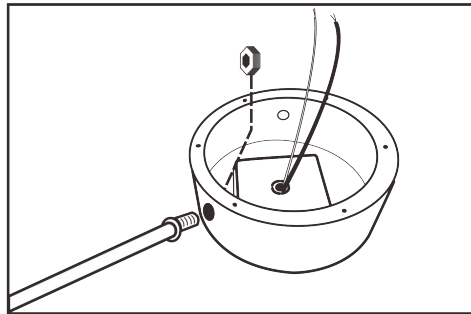


d.Lock the motor housing cover.

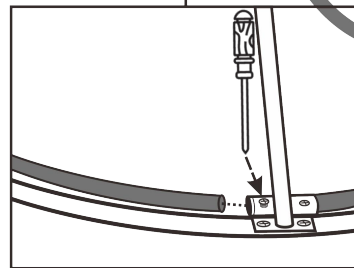
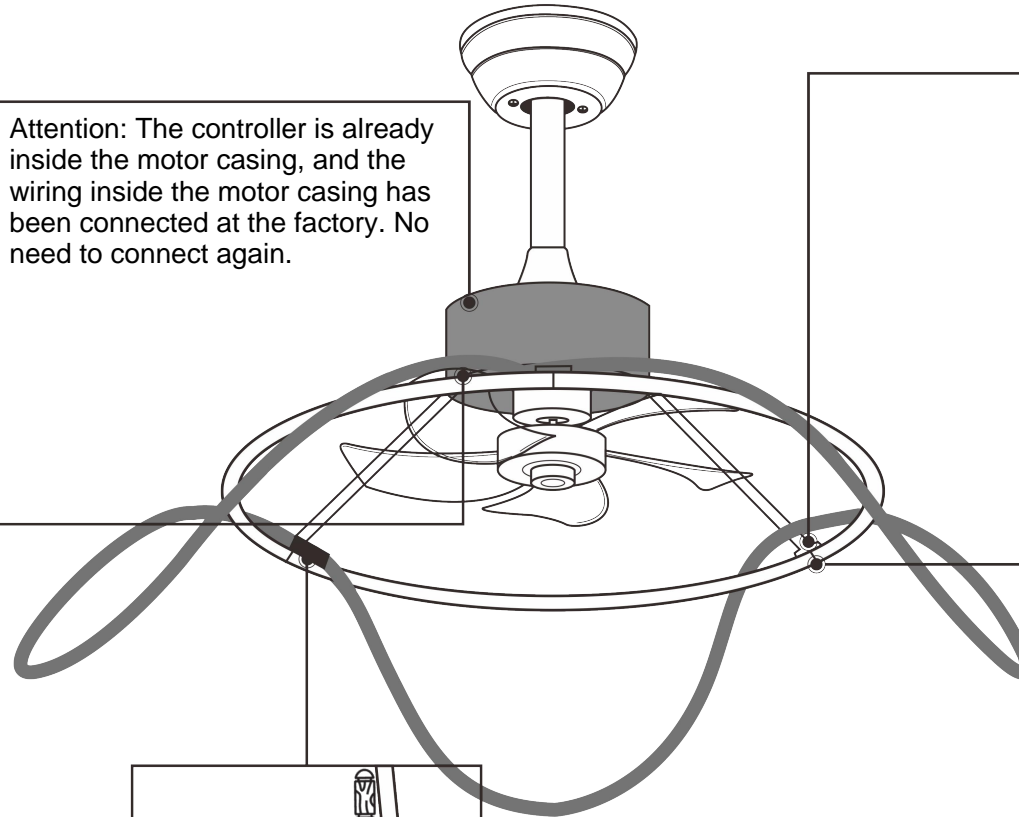
Attention: The controller is already inside the motor casing, and the wiring inside the motor casing has been connected at the factory. No need to connect again.



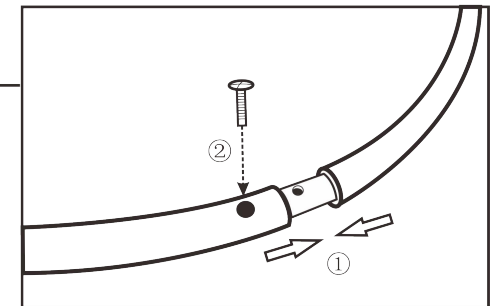
b.Overlap the hole positions of the branches and round pipes, and lock the screws.



c.Insert the branch into the hole position of the motor casing and screw on the nut. Install the rest according to the appeal steps.



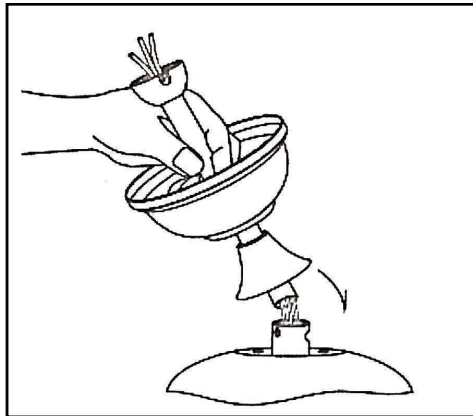
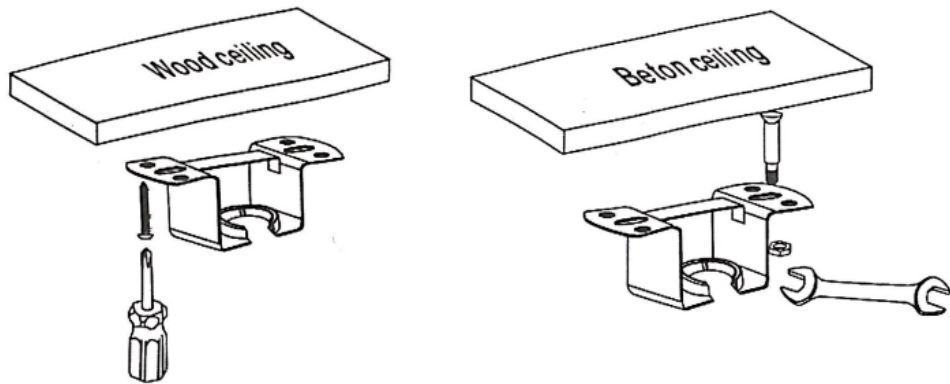
e.One side of the LED light strip has been locked, and now you need to insert the other side of the light strip into the branch port and tighten the screws.



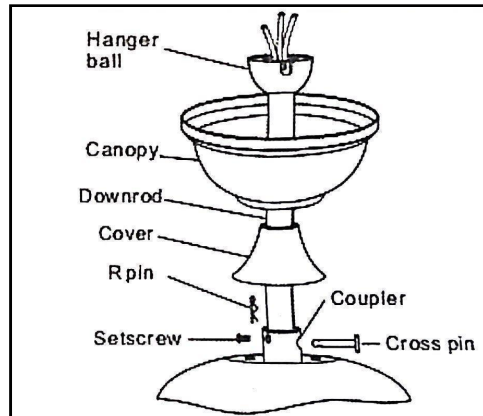
a.After the two circular tubes are closed, lock the screws.

INSTALL THE SUSPENSION BRACKET

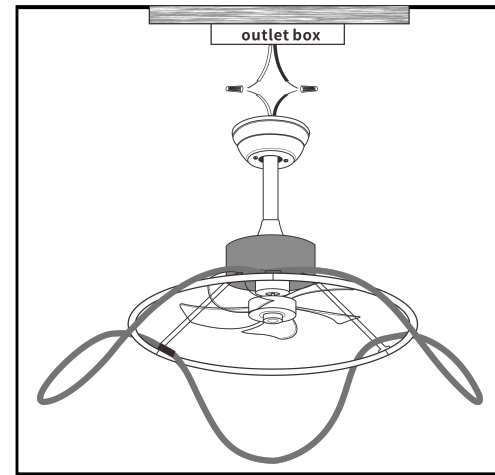
Screw the hanger onto the roof as shown in the figure. Use different screws according to the type of ceiling.



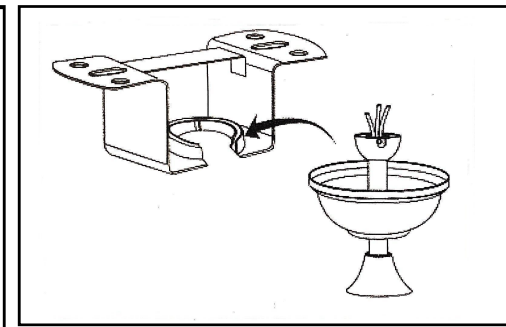
Remove connecting pin and unscrew it. Lead cable in through the lowering lever, considering these parts. Their order must be the same as that shown in the figure. insert connecting rod downward advanced protector.



Loosen the two adjusting screws on the great. Fit connecting pin and screw into place. Make sure the alliance is tight.



The wires of the motor are connected to the wires of the outlet box, and the black and white wires are not divided into positive and negative poles.



Carefully lift the fan joint and place it on the shaft of the hanger. Make sure that the hole of the bracket and the structure to be connected are aligned with the upper flange of the hanger. After wiring, press upward and twist to adjust the position of the screw hole to connect the canopy to the suspension bracket. Later, Connection of fixing screws.

OPERATION FOR REMOTE

The wireless control is designed to operate both the light and speed of the fan.

Please make sure the battery is inserted in the right direction or the remote may not function. Remove the battery from the remote if you do not plan to use the remote for a long time.

*The fan cannot use the wall switch.

*Please DO NOT install any wall switch. Use the remote control to control the light and wind speed.

