

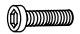


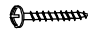


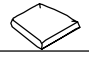
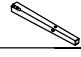





# ASSEMBLY INSTRUCTIONS

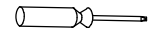
ITEM NO : PC5596 COUNTER HEIGHT CHAIR

1/1

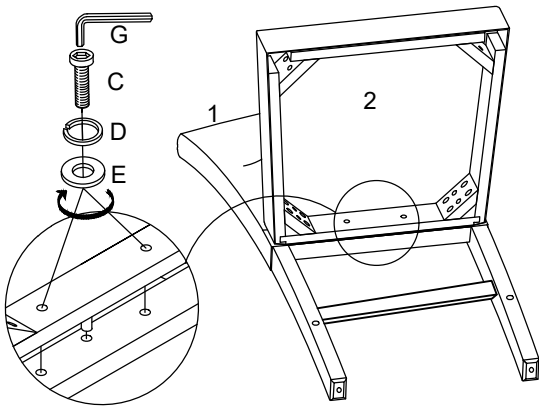
HARDWARE LIST			
NO	PART		Q'TY
A		Ø5/16"x83mm	4
B		Ø5/16"x57mm	4
C		Ø5/16"x45mm	2
D		Ø5/16"x13mm	10
E		Ø5/16"x19mm	10
F		M4x38mm	6
G		5mm	1

PART LIST			
NO	PART		Q'TY
1		Chair back	1
2		Seat cushion	1
3		Front leg	2
4		Front stretcher	1
5		Right stretcher	1
6		Left stretcher	1

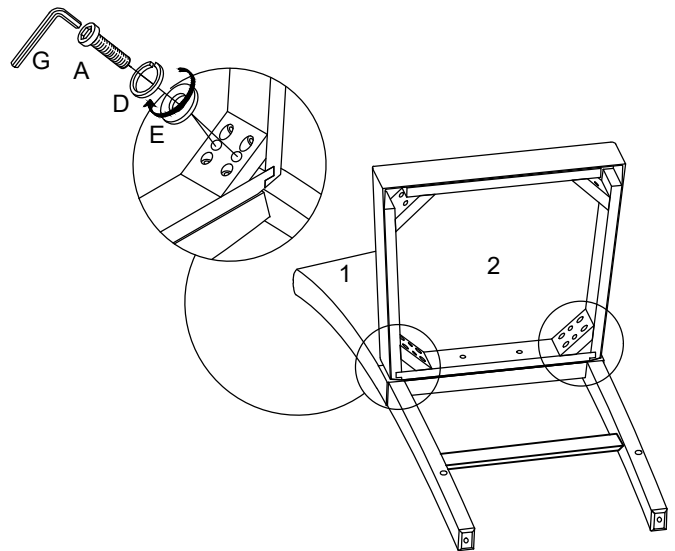
TOOLS REQUIRED ( NOT PROVIDED )

 Phillips Screw Driver

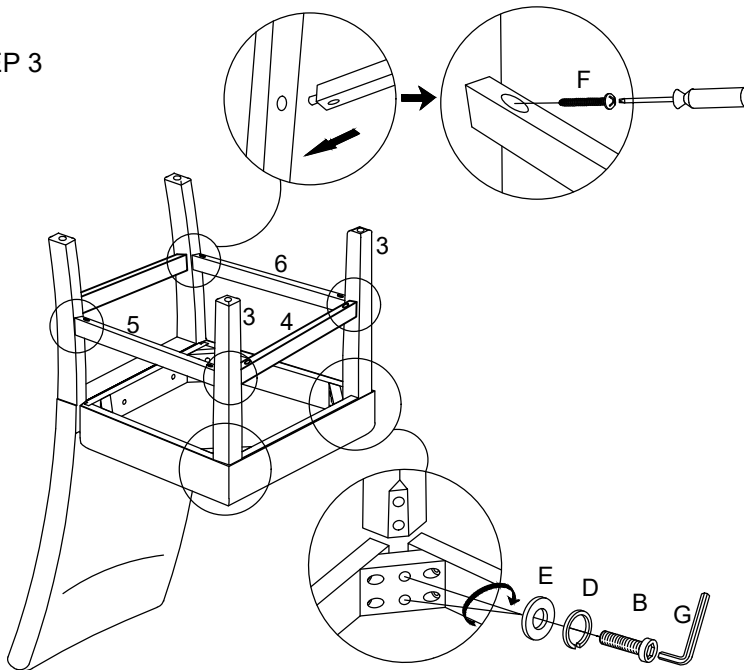
STEP 1



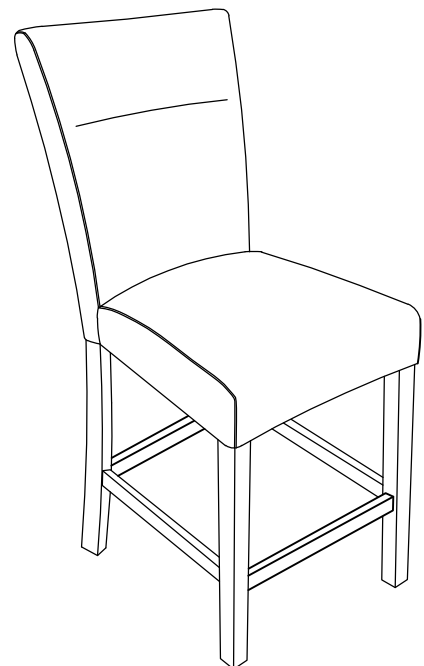
STEP 2



STEP 3



Completed



Do not tighten screws until completely assembled.