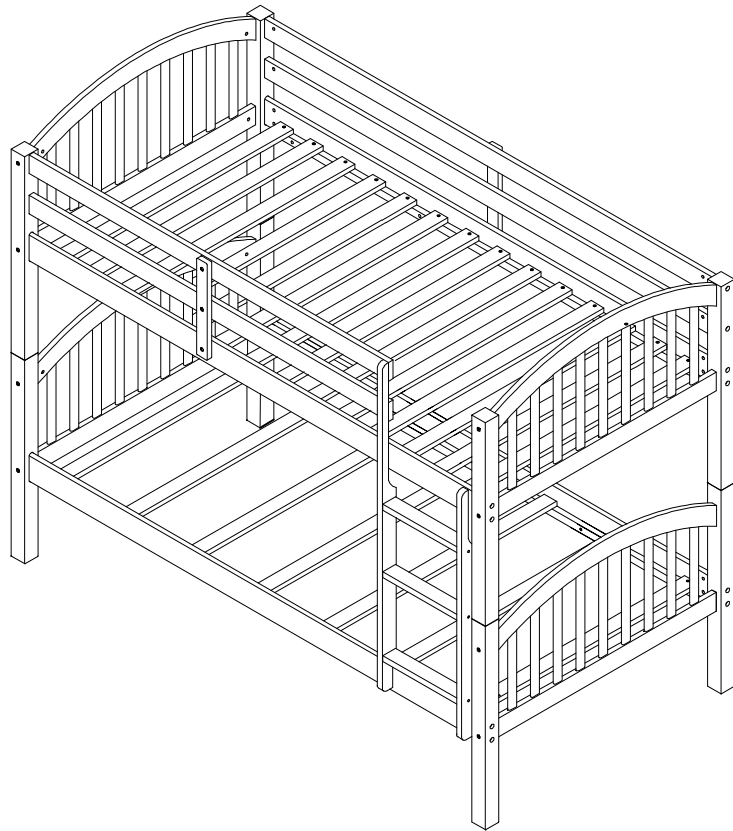


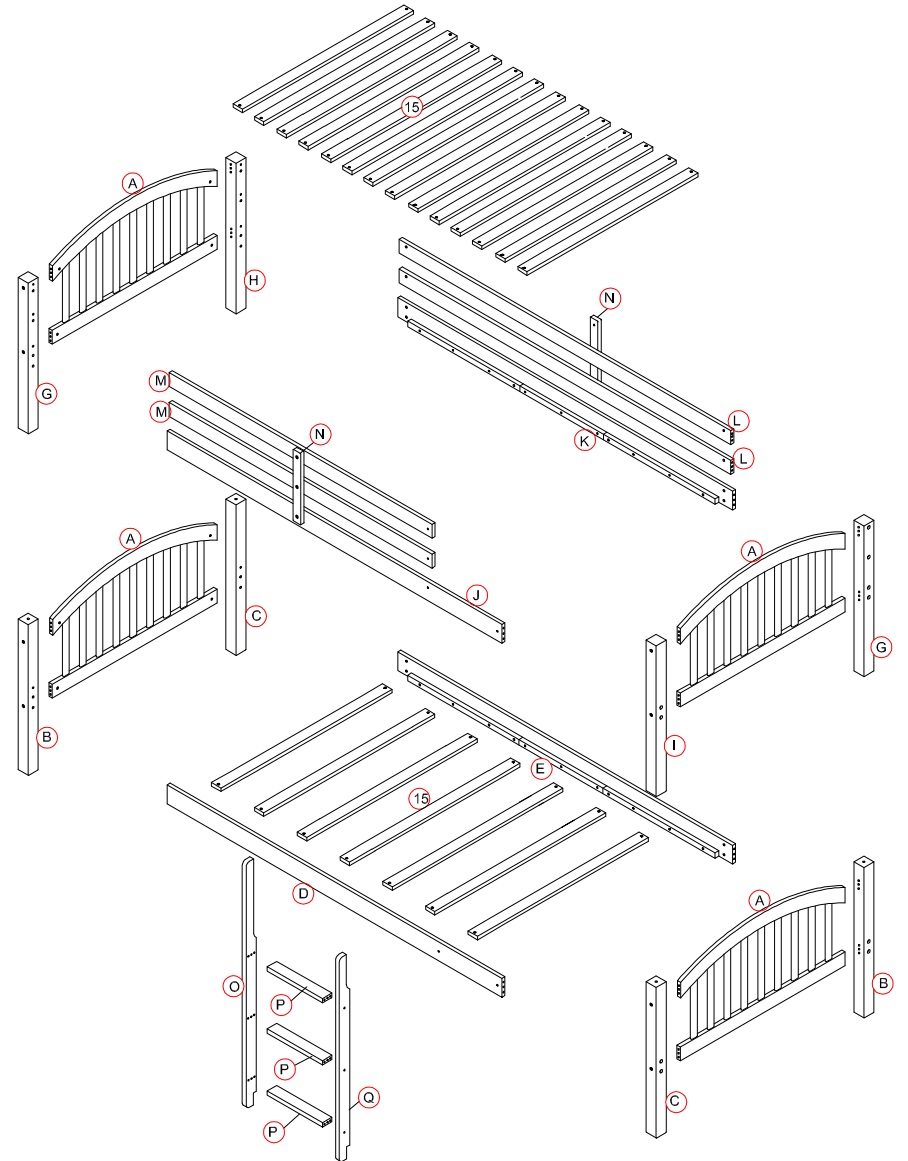
ASSEMBLY INSTRUCTIONS

TWIN SIZE BUNK BED





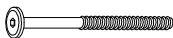





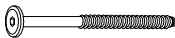
1

Detail View

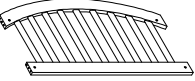
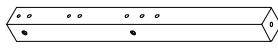
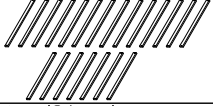


2

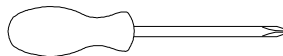
Hardware List

1  (1/4")4.5*58mm Allen key (1pc)	2  Wood dowel (64pcs)	3  Ø6**100mm Hex-Head bolts (22pcs)
4  Ø6**50mm Bolts screw (12pcs)	5  Ø6**30mm Bolts screw (6pcs)	6  Ø4*30mm Wood screws (42pcs)
7  1/4**15 (9.5mm) Horizontal-Hole bolts(22pcs)	8  Ø9*90mm Metal connector (4pcs)	9  Ø6**100mm Bolts screw (16pcs)

Part List: WF286814


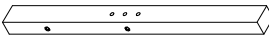




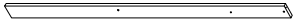


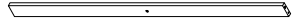

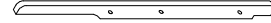
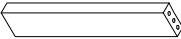

A  Frame HB&FB - 4pcs	G  Leg HB (Top) - 2pcs	15  Slats - (21pcs)
---------------------------------------------------------------------------------------------------------------------	----------------------------------------------------------------------------------------------------------------------	--------------------------------------------------------------------------------------------------------------------

ASSEMBLY TOOLS REQUIRED (NOT INCLUDED)





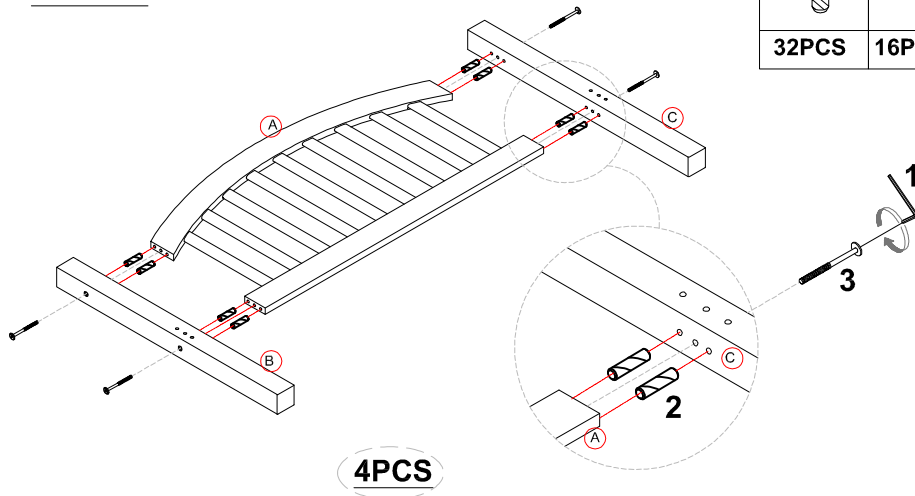
PLEASE BE CAREFUL DO NOT DAMAGE THE HOLE
POSITION WHEN YOU USE POWER TOOLS !

Part List

D  Side rail(lower)-1pcs	B  Leg HB (Bottom) - 2pcs	C  Leg HB (Bottom) - 2pcs
E  Side rail(lower)-1pcs	H  Leg HB (Top) - 1pc	I  Leg HB (Top) - 1pc
J  Side rail(upper front)-1pc	K  Side rail(upper back)-1pc	L  guard rail(longer) - 2pcs
M  guard rail(shorter) - 2pcs	N  Vertical guard rail - 2pcs	O  Ladder side rail (left)-1pc
P  Ladder Step - 3pcs	Q  Ladder side rail (right)-1pc	




STEP 1:

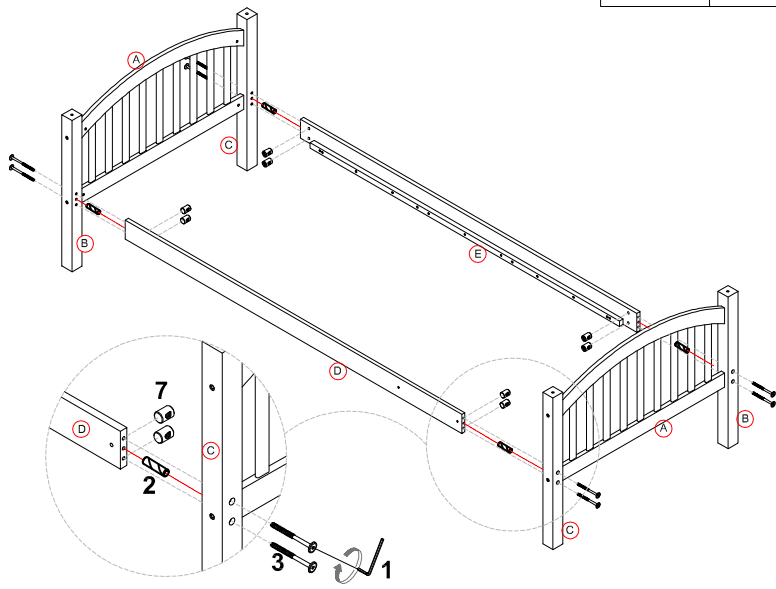
2		9	
32PCS		16PCS	






4PCS

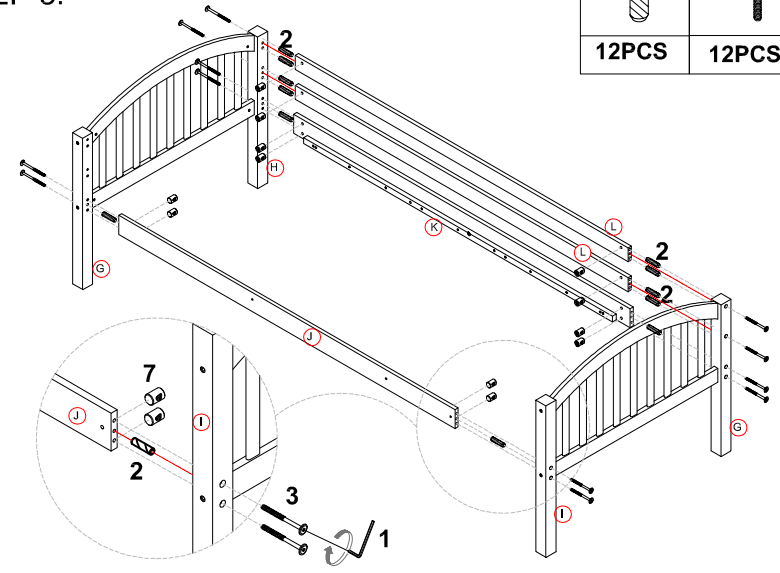
STEP 2:

2		3		7	
4PCS		8PCS		8PCS	





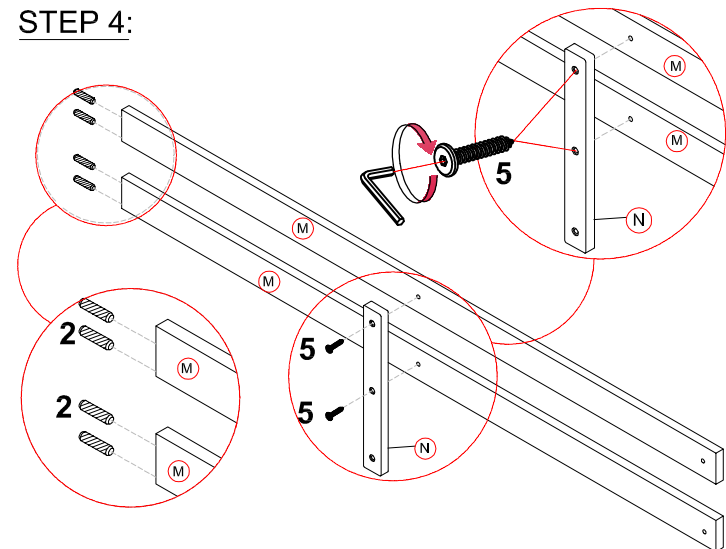
STEP 3:

2		3		7	
12PCS		12PCS		12PCS	

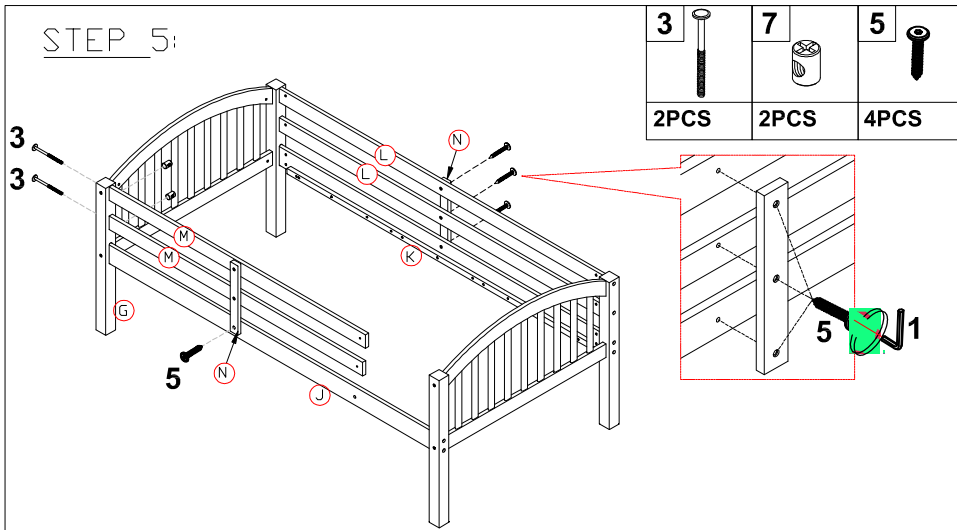


STEP 4:

2	
4PCS	
5	
2PCS	



STEP 5:

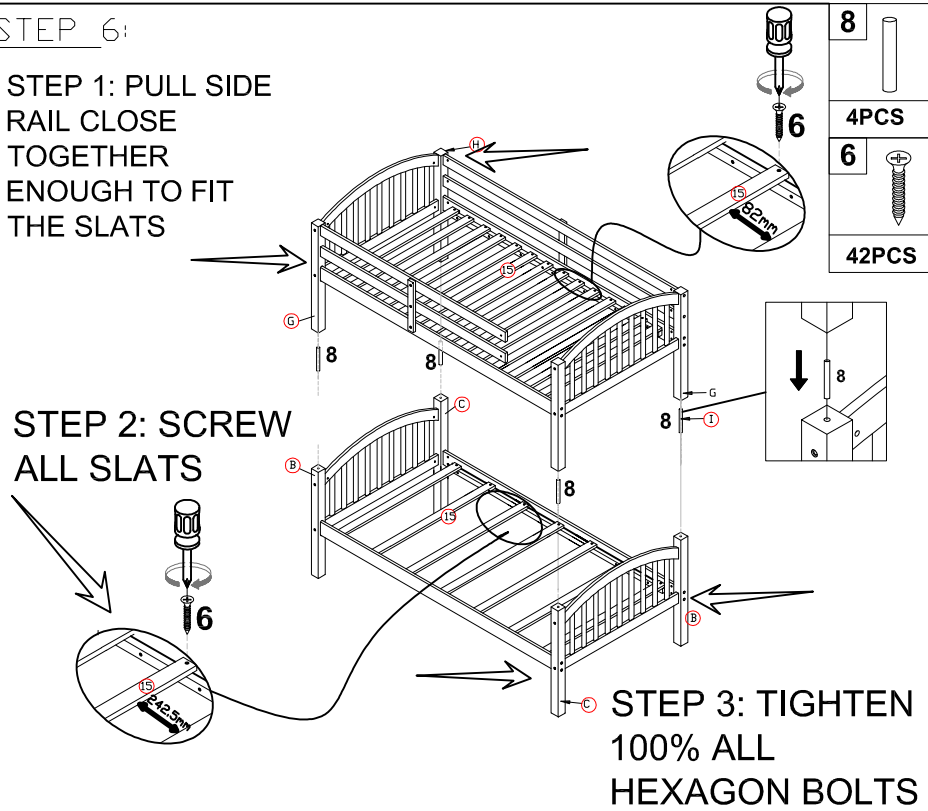


STEP 6:

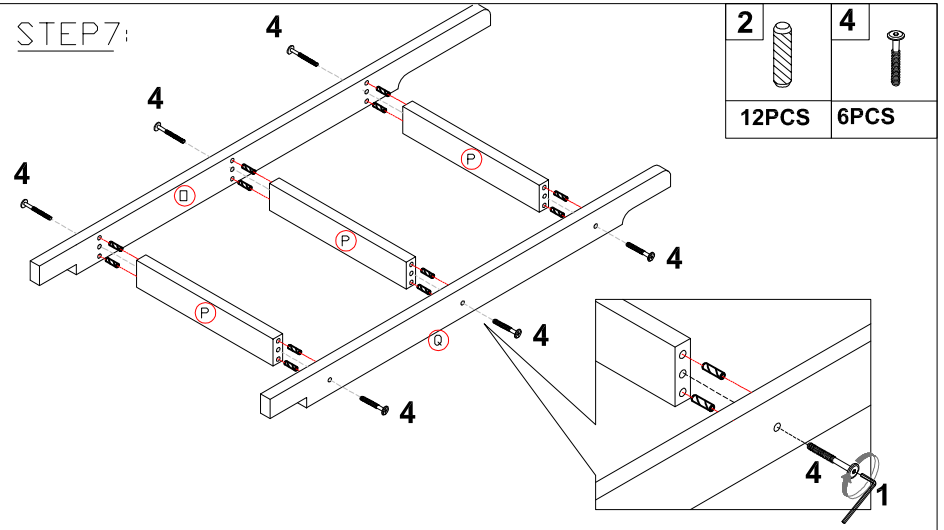
STEP 1: PULL SIDE RAIL CLOSE TOGETHER ENOUGH TO FIT THE SLATS

STEP 2: SCREW ALL SLATS

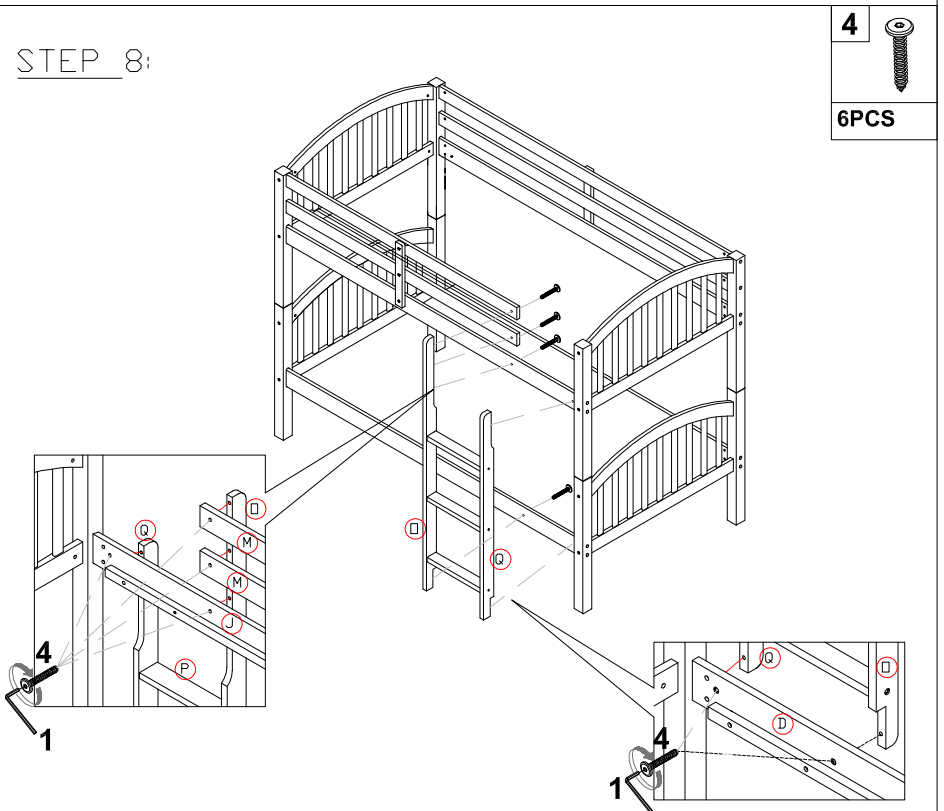
STEP 3: TIGHTEN 100% ALL HEXAGON BOLTS



STEP 7:



STEP 8:



COMPLETED

