

ASSEMBLY INSTRUCTION

CHARTING DESK




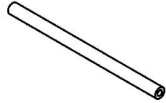
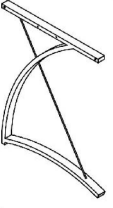
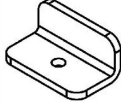
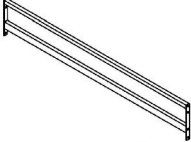
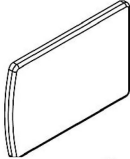
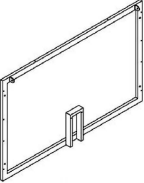
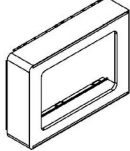
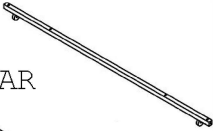
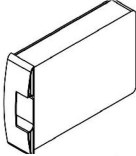
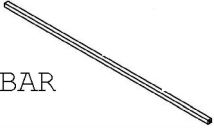
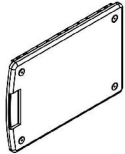

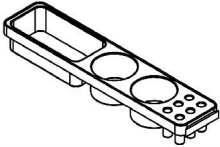

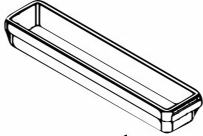

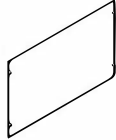
ASSEMBLY TIPS:

1. Remove hardware from box and sort by size.
2. Please check to see that all hardware and parts are present prior to start of assembly.
3. Please follow attached instructions in the same sequence as numbered to assure fast & easy assembly.

⚠ Warning!!

1. Don't attempt to repair or modify parts that are broken or defective. Please contact the store immediately.
2. This product is for home use only and not intended for commercial establishment.

PARTS IDENTIFICATION:

A LEFT LEG		1PC	J DRAWER SUPPORT		4PCS
B RIGHT LEG		1PC	K CONNECTION PIECE		8PCS
C CENTER SUPPORT BAR		1PC	L TOP DRAWER		1PC
D TOP FRAME		1PC	M FRAME DRAWER		3PCS
E FRONT SUPPORT BAR		1PC	N DRAWER		3PCS
F BACK SUPPORT BAR		1PC	O BOTTOM DRAWER		1PC
G PEN HOLDER		1PC	P PEN ART TRAY		2PCS
H WIRE SUPPORT		2PCS	Q ART TRAY		2PCS
I BOTTOM DRAWER SUPPORT		2PCS	R TOP GLASS		1PC



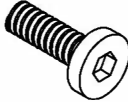
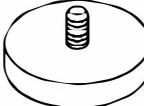

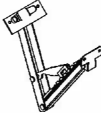





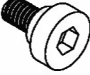
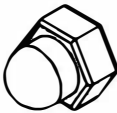
ASSEMBLY TIPS:

1. Remove hardware from box and sort by size.
2. Please check to see that all hardware and parts are present prior to start of assembly.
3. Please follow attached instructions in the same sequence as numbered to assure fast & easy assembly.

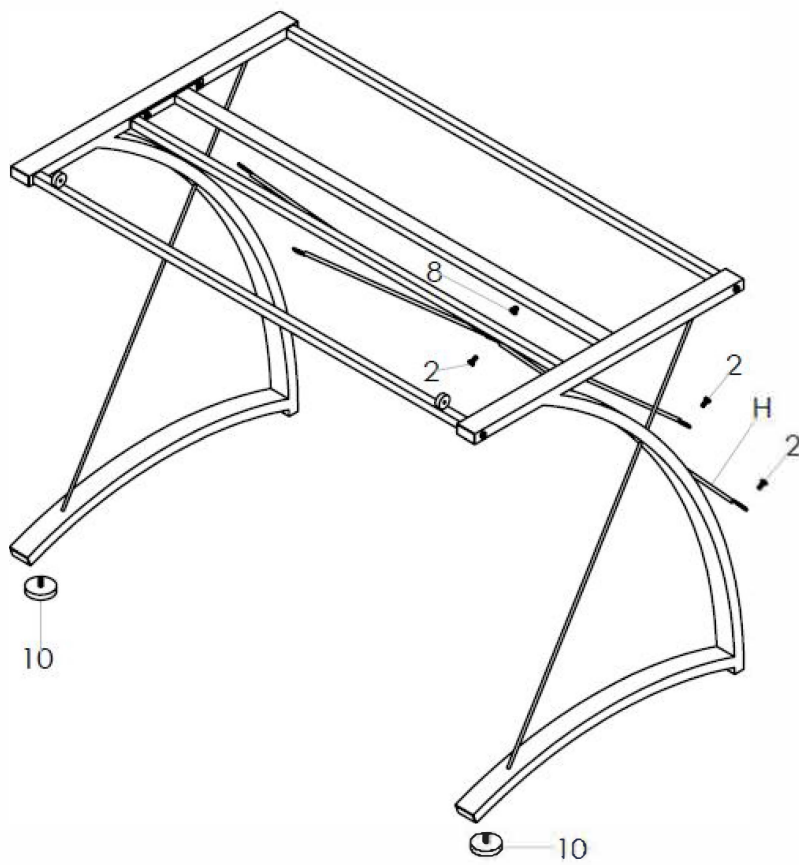
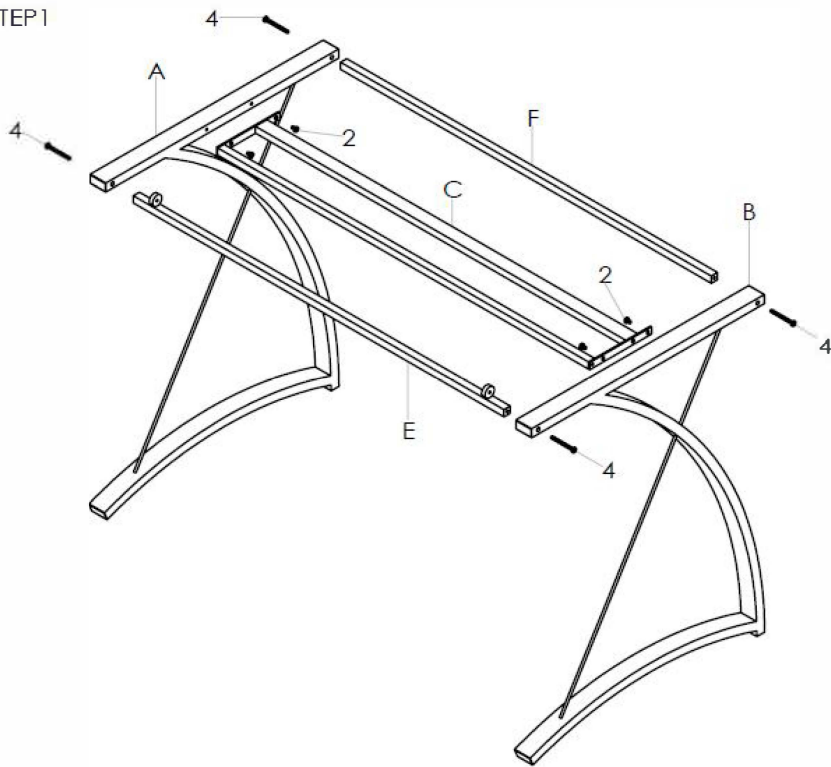
⚠ Warning!!

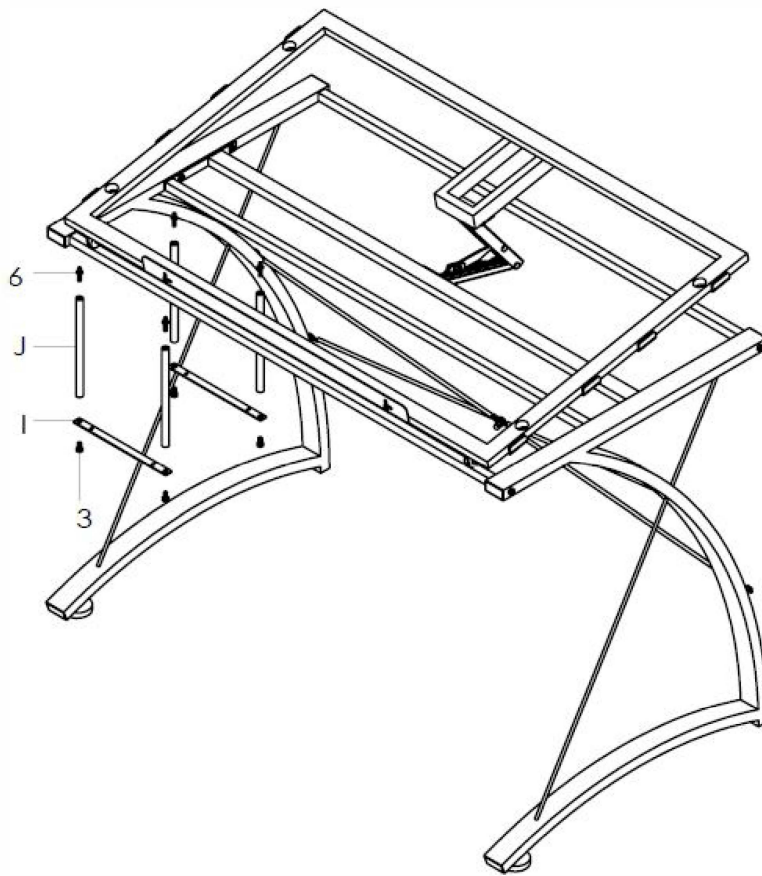
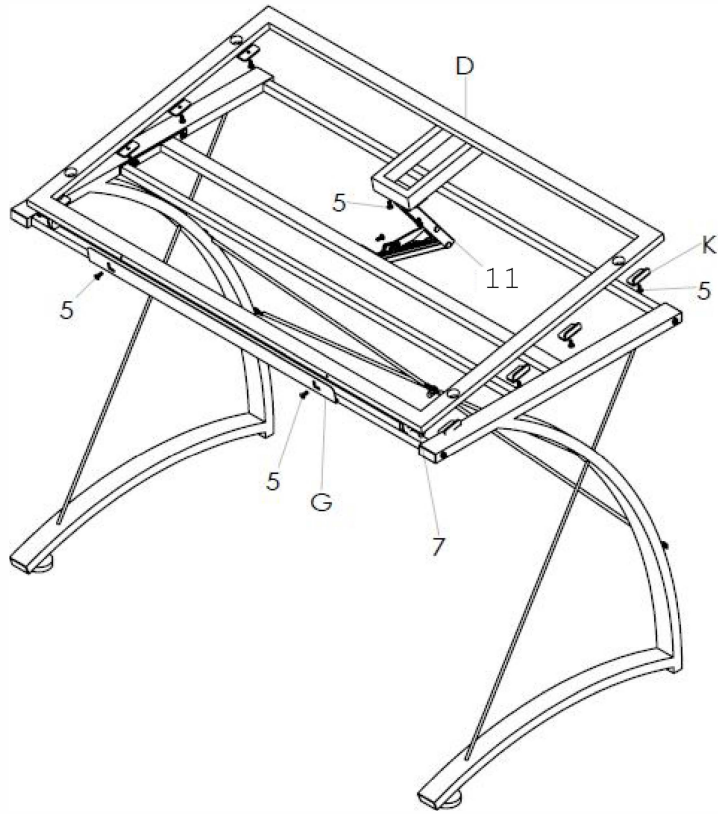
1. Don't attempt to repair or modify parts that are broken or defective. Please contact the store immediately.
2. This product is for home use only and not intended for commercial establishment.

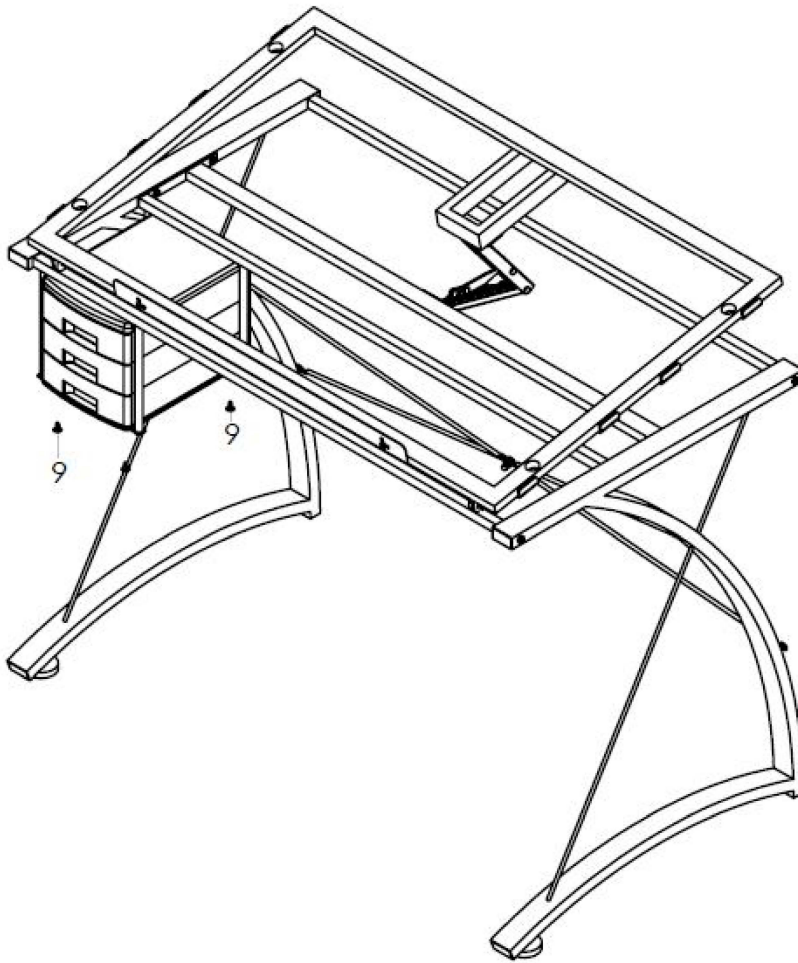
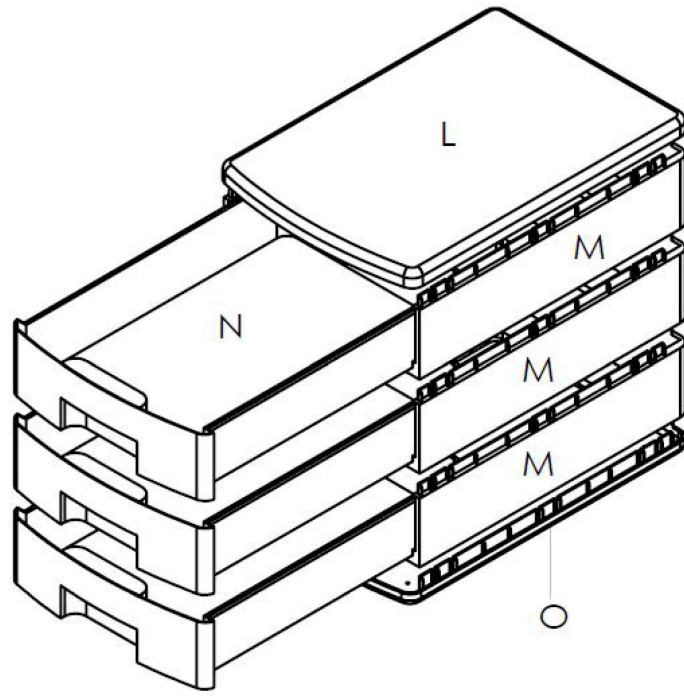
HARDWARE PACKAGE:

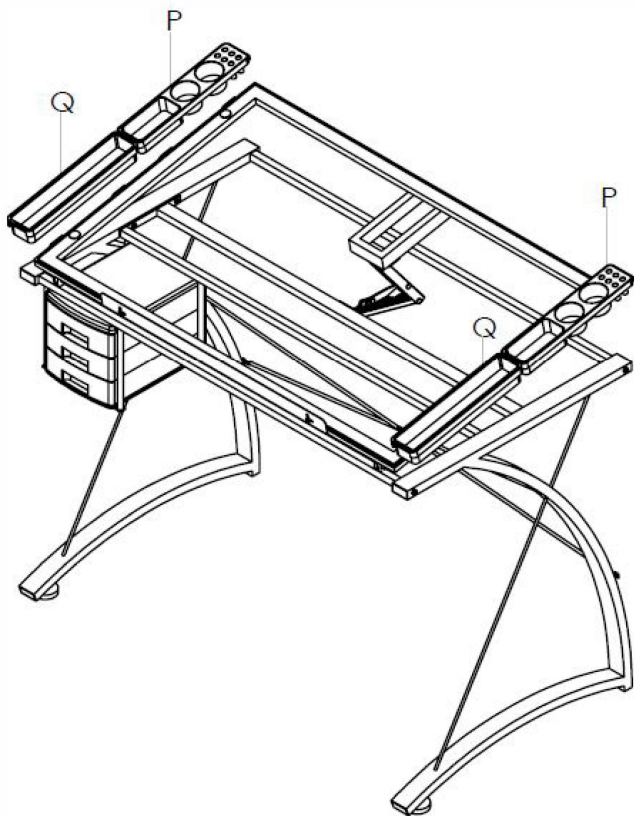
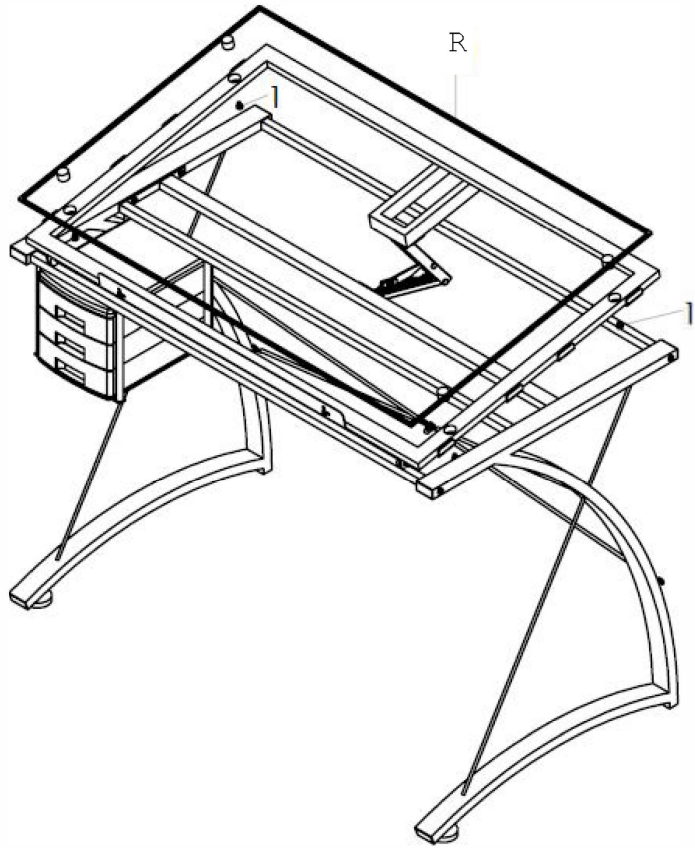
Z	DESCRIPTION	FIGURE	QTY	Z	DESCRIPTION	FIGURE	
1	TOP GLASS ALLEN-BOLT		4PCS	9	SCREW		4PCS
2	ALLEN BOLT LARGE		9PCS	10	FLOOR LEVELER		2PCS
3	ALLEN BOLT MEDIUM		4PCS	11	ANGLE ADJUSTMENT BACKET		1PC
4	SIDE ALLEN BOLT		4PCS	12	ALLEN KEY		1PC
5	BOLT		14PCS	13	HEXAGONAL KEY		1PC
6	CONNECT BOLT		4PCS				
7	ALLEN BOLT SMALL		2PCS				
8	NUT		1PC				

STEP 1









ASSEMBLE INSTRUCTION

- STEP1: Assembly LEFT LEG(A) and RIGHT LEG(B) with FRONT SUPPORT BAR(E) by SIDE ALLEN BOLT(4), with BACK SUPPORT BAR(F) by SIDE ALLEN BOLT(4), with CENTER SUPPORT BAR(C) by ALLEN BOLT-LARGE(2).
- STEP2: SCREW FLOOR LEVELER(10) into the leg. Screw WIRE SUPPORT(H) by ALLEN BOLT-LARGE(2) and NUT(8).
- STEP3: Screw CONNECT PIECE(K) on(C.E.F) by BOLT(5), Screw TOP FRAME(D) on(E) by ALLEN BOLT-SMALL(7). screw ANGLE ADJUSTMENT BACKET(11) on(C) and(D) by BOLT(5). screw PEN HOLDER(G) on(E) by bolt(5).
- STEP4: Screw SUPPORT DRAWER(J) into(E) by CONNECT BOLT(6). Then screw BOTTOM DRAWER SUPPORT(I) on(J) by ALLEN BOLT-MEDIUM(3).
- STEP5: Assemble the BOTTOM DRAWER(O) and FRAME DRAWER(M) and TOP DRAWER(L) and DRAWER(N).
- STEP6: Screw the drawer on(J) by SCREW(9).
- STEP7: Place TOP GLASS(R) screw with TOP FRAME(D) by TOP GLASS ALLEN BOLT(1)
- STEP8: Put the PEN ART TRAY(P) and ART TRAY(Q) on the desk.