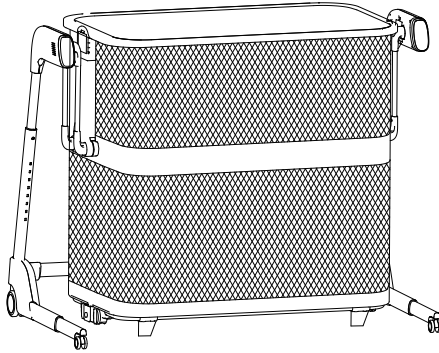
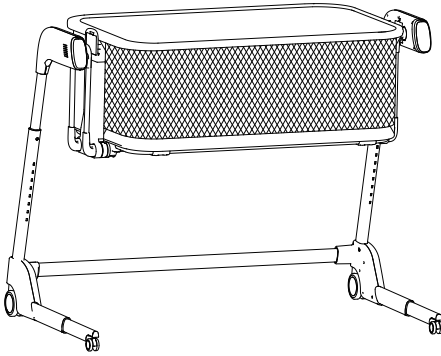


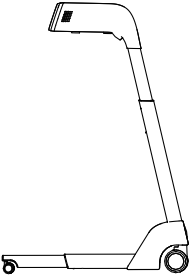
KEEP INSTRUCTIONS FOR FUTURE USE

2-in-1 Smart Bassinet

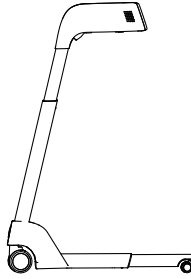


For the safety of your child please read these instructions before using the product.

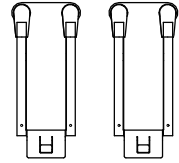
PARTS CHART



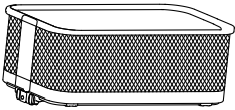
1. Left foot frame



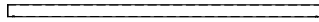
2. Right foot frame



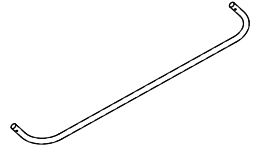
3. Fence support component for both sides



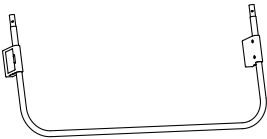
4. Bed bottom plate



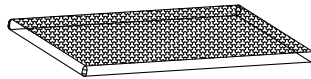
5. Horizontal connecting tube for bed bottom plate



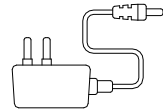
6. Fence short tube component



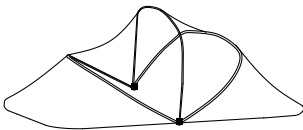
7. Fence long tube component



8. Mattress



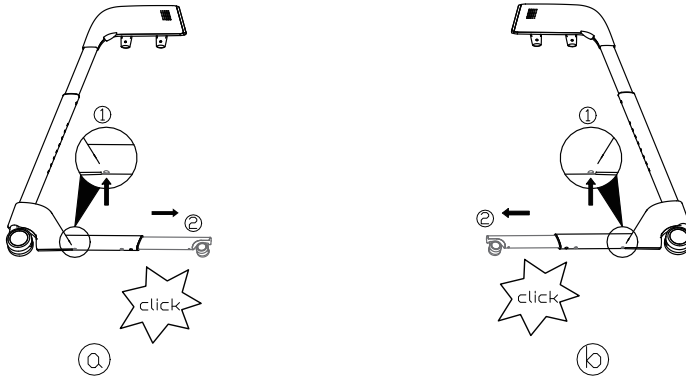
9. Adapter



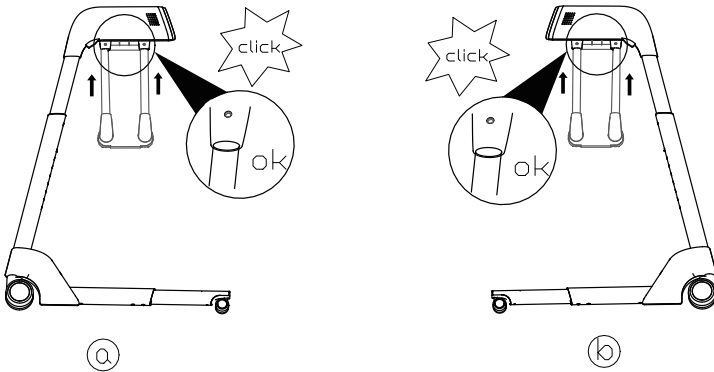
10. Mosquito net

ASSEMBLY INSTRUCTION

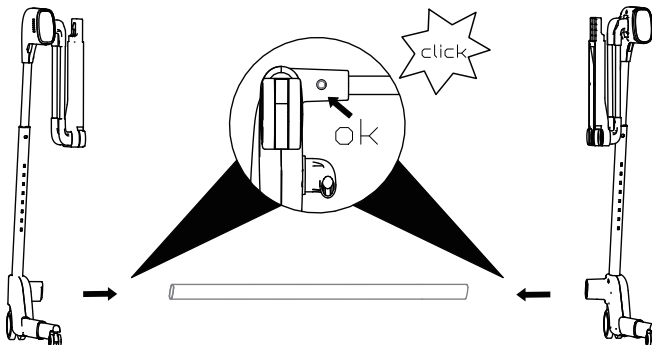
1. Adjust the supporting foot as figure a, pinch the collapse bottom of it. Pull out the back leg as figure b shows, it's done when you hear the "click" sound. Do the same operation for another side.



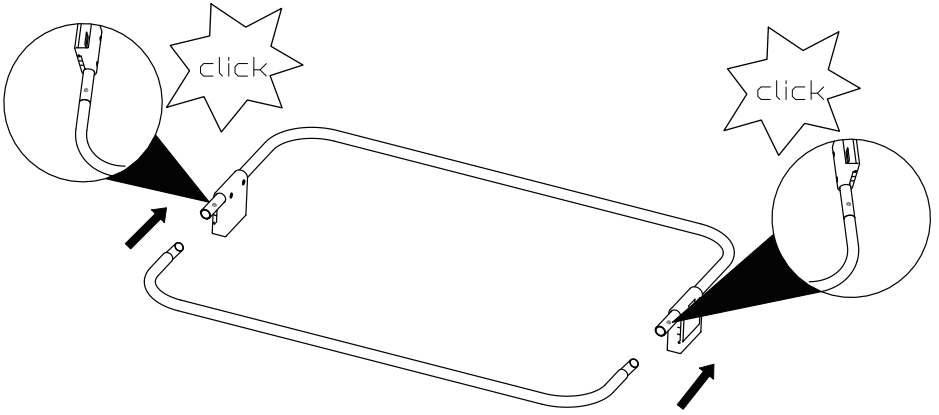
2. Assemble the fence support component to the boom connector as the picture shows, it's done when you hear the "click" sound. Do the same operation for another side.



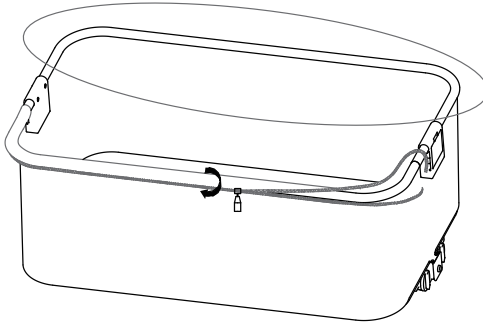
3. Connect both feet with the horizontal connecting tube for bed bottom plate, it's done when you hear the "click" sound.



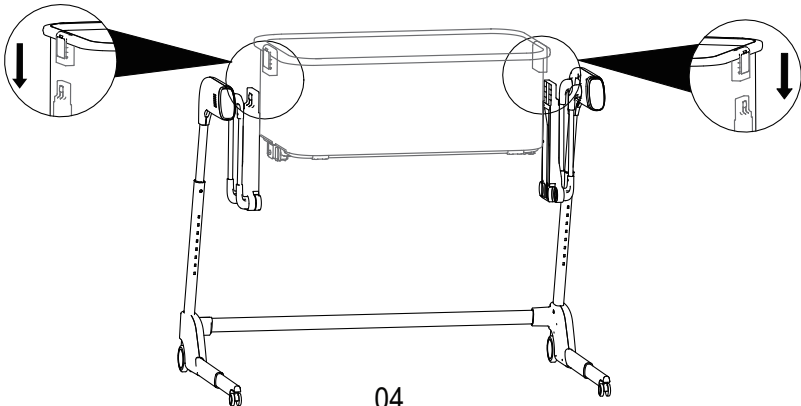
4. Assemble the fence short tube to the long one, it's done when you hear the "click" sound.



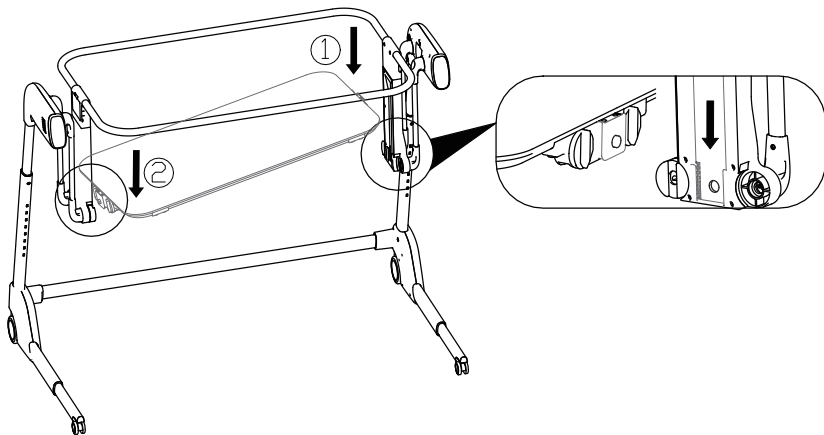
5. Turn over the cloth cover to keep the zipper facing outward, wrap the assembled fence tube and get the zipper shut.



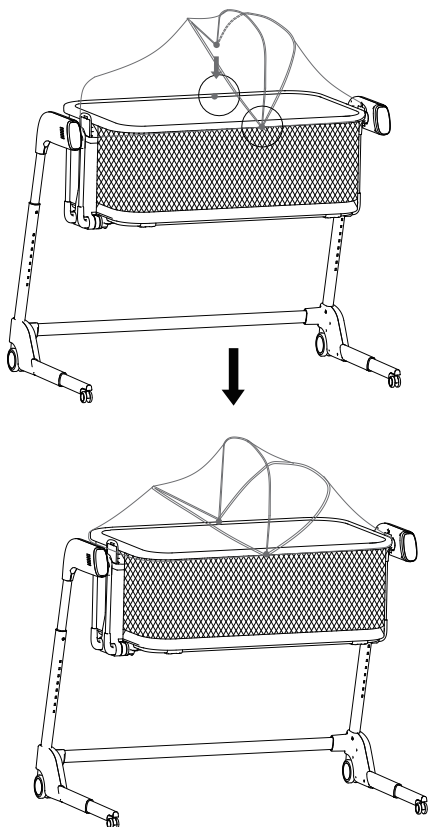
6. Fix the fence tube component to the support of frame side.



7. Raise the ① side of the baby cot, slide down the chute to the bottom and fix to the groove, it's done when you hear a click. Do the same operation for the ② side.



8. Fix the white buckles of the mosquito net to the assembled baby cot, wrap the fence.

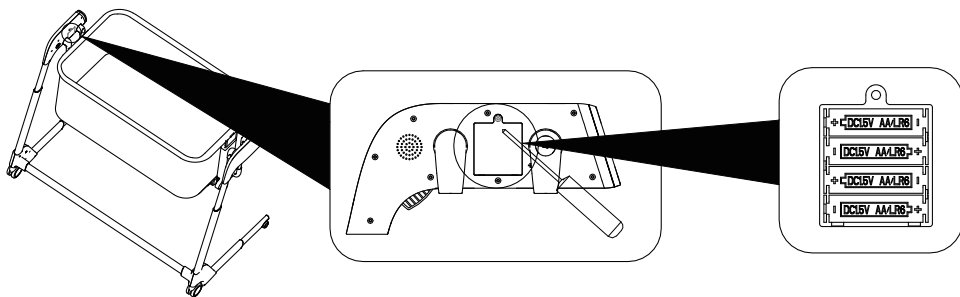


Battery assembly

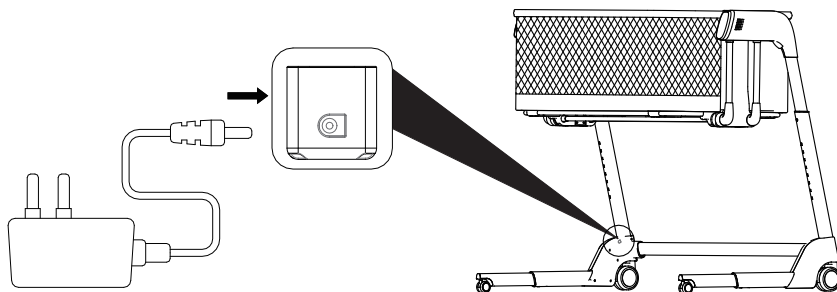
1. Loosen the screw in the battery compartment door with a screwdriver (not included) and remove the battery compartment door.

*Insert four AA (LR6) alkaline batteries in.

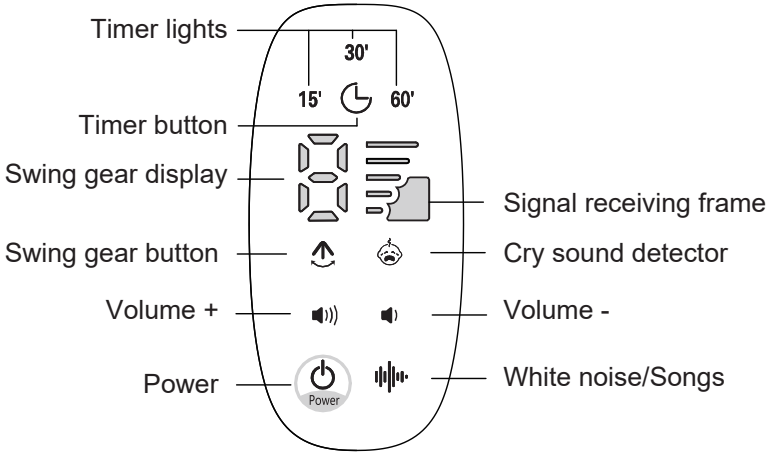
*Replace the battery compartment door and tighten the screws.



2. Connect the charger interface to the DC of the left support as shown in the figure, and then connect the charging head to the power socket.



OPERATION



Swing speeds: 5 speeds

3 timers: 15 mins, 30 mins, and 60 mins.

Press the button of "Cry sound detector", it would swing automatically at the 3rd swing speed when the baby cries.

White noise/Songs: Imitate the sounds the baby hears in the mother's belly.

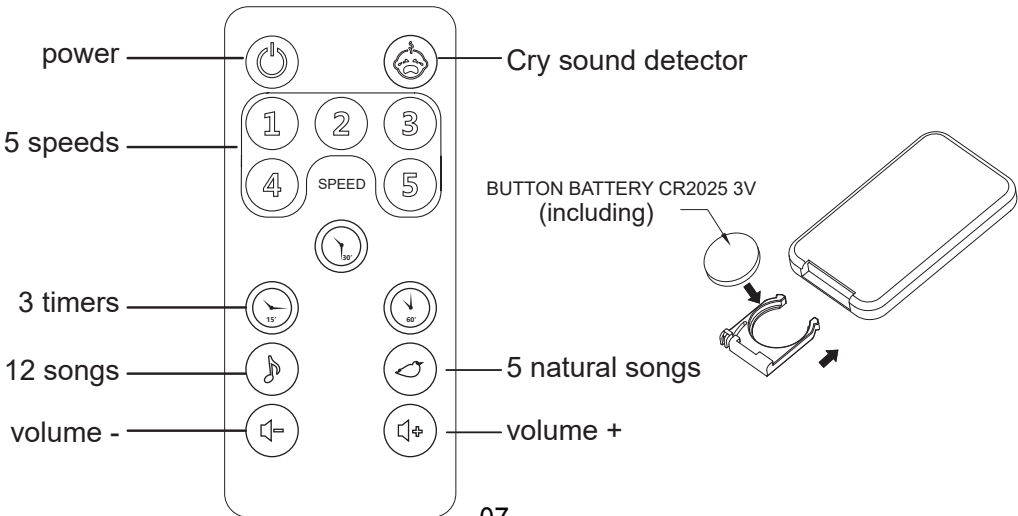
3 white noises, 5 natural sounds, 12 melodies

Press the button of "Power switch", the power indicator brights.

Volume +/Volume - : adjust the volume.

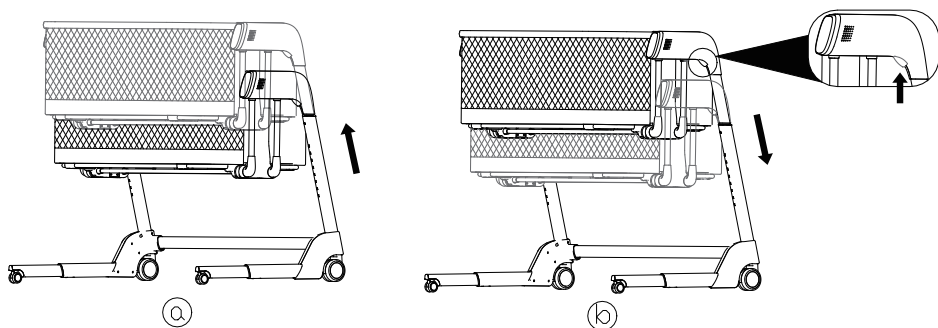
Open the phone Bluetooth function, search for "Maribel" for pairing, hear "ding dong" that pairing successfully. The volume control on the phone could control the volume of this bassinet too.

Remote control function (Selective)

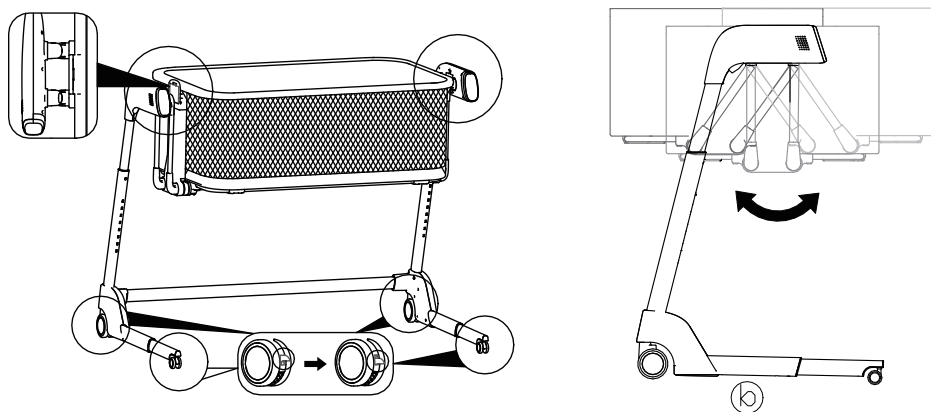


Function Instructions

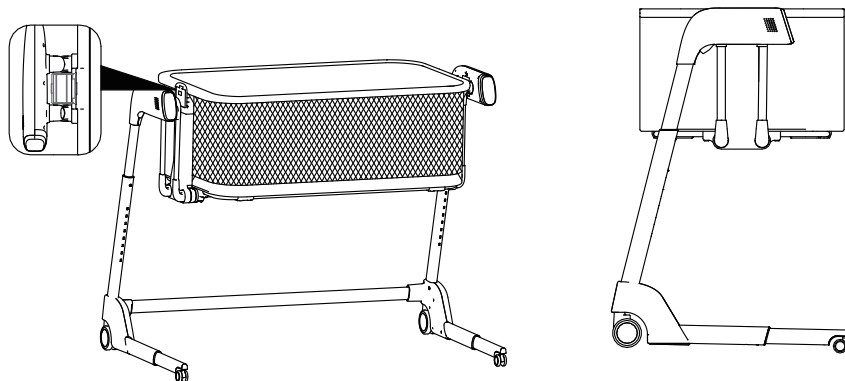
1. Press and hold the folding buttons on both sides of the bassinet and lift it up or put it down, with 8 height position.



2. Keep the braking block closed, lock the wheels by pressing the braking rods. Then turn on the switch, choose proper swing speed, the bassinet will start swinging from left to right .

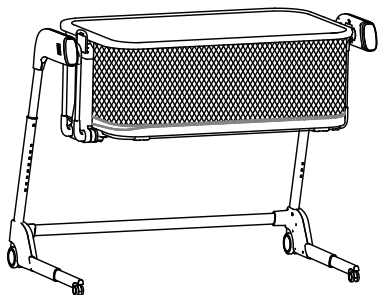


3. Open the braking block, the bassinet will stop swinging .

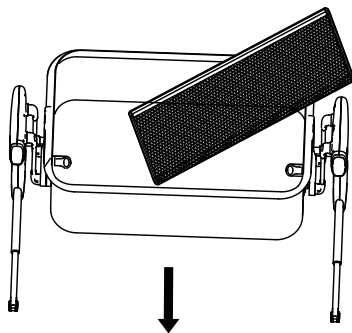


Swing bassinet transforms into playard

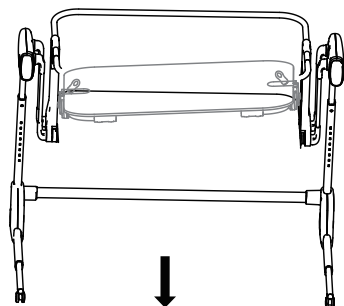
1. Unzip the bottom of the bassinet.



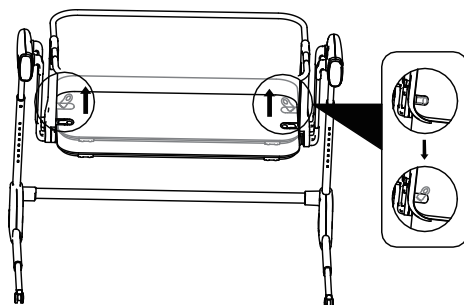
2. Take the mattress out.



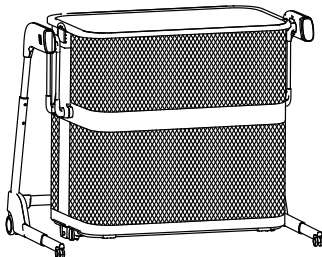
4. Recline one side, and lower it down slowly and then the other side.



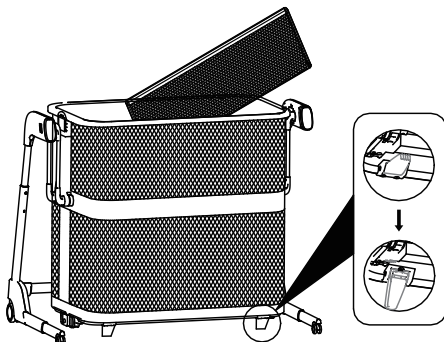
3. Hold both inner handles of the bassinet, and lift up 10 -15cm



5. Release the bassinet to the bottom.



6. Spread out the four legs at the bottom, place the mattress inside, swing bassinet transforms into playard.



Safety Information

Read all instructions BEFORE assembly and USE of the product.
KEEP INSTRUCTIONS FOR FUTURE USE.

- Adult assembly required.
- Before each usage and assembly, inspect the product for damaged hardware, loose joints, missing parts, or sharp edges. Do not use if any part of the (manufacturer to insert type of product) is broken, torn, or missing. Contact manufacturer for replacement parts and instructional literature if needed. DO NOT substitute parts.

⚠ WARNING

Failure to follow these warnings and the instructions could result in death or serious injury.

SUFFOCATION HAZARD

Babies have suffocated:

- on pillows, comforters, and extra padding
- in gaps between a wrong-size mattress, or extra padding and product sides
- **NEVER** add soft bedding or padding.
- Use **ONLY** mattress provided by manufacturer.
- Always place baby on back to sleep to reduce the risk of SIDS and suffocation.
- If a sheet is used with the pad, use only the one provided by the product manufacturer or one specifically designed to fit the dimension of the product mattress.

FALL HAZARD: To help prevent falls,

- Do not use this product when the infant begins to push up on hands and knees or has reached 20 lbs. (9 kg), whichever comes first.
- Strings can cause strangulation! Do not place items with a string around a child's neck, such as hood strings or pacifier cords. Do not suspend strings over a product or attach strings to toys.
- Do not use if any part of the bassinet/cradle is broken, torn or missing.

ROOMY PLAY ARD MODE :

Infants can suffocate :

- In gaps between a mattress too small or too thick and product sides
- On soft bedding

NEVER add a mattress, pillow, comforter, or padding.

Failure to follow these warnings and the instructions could result in serious injury or death.

- The product, including side rails, must be fully erected prior to use.
- Make sure latches are secure.
- Strings can cause strangulation! Never place items with a string around a child's neck such as hood strings or pacifier cords.
- Never suspend strings over product or attach strings to toys.
- Discontinue use of the product when child is able to climb out or reaches the height of 35 in. (890 mm).
- Child can become entrapped and die when improvised netting or covers are placed on top of product. Never add such items to confine child in product.
- When child is able to pull to standing position, set mattress/base to lowest adjustment position and remove bumper pads, large toys, and other objects that could serve as steps for climbing out.
- Never place product near a window where cords from blinds or drapes can strangle a child.
- Use **ONLY** mattress/pad provided by manufacturer.
- Always provide the supervision necessary for the continued safety of your child. When used for playing, never leave child unattended.
- To reduce the risk of SIDS, pediatricians recommend healthy infants be placed on their back to sleep, unless otherwise advised by your physician.
- Never leave child in product with side lowered, Be sure side is in raised and locked position whenever child is in product.
- Never use plastic shipping bags or other plastic film as mattress cover not sold and intended for that purpose. They can cause suffocation.
- Never use a water mattress with this product.
- Never use this product if there are any loose or missing fasteners, loose joints, broken parts, or torn mesh/ fabric. Check before assembly and periodically during use. Contact manufacturer for replacement parts. Never substitute parts.

▲ CAUTION

To prevent battery leaks, which can burn skin and eyes:

- Always replace the entire set of batteries at one time.
- Never mix old and new batteries, or batteries of different brands or types.
- Remove batteries when storing product for a long time.
- Dispose of used batteries immediately.

This device complies with Part 15 of the FCC Rules. Operation is subject to the following two conditions:

- (1) This device may not cause harmful interference.
- (2) This device must accept any interference received, including interference that may cause undesired operation.

IMPORTANT:

- Adult assembly required.
- Care should be taken in unpacking and assembly.
- Examine product frequently for damaged, missing, or loose parts.
- DO NOT use if any parts are missing, damaged, or broken.
- Contact manufacturer for replacement parts and instructions if needed.

Never substitute parts.

- Check this product for damaged hardware, loose joints, missing parts, or sharp edges before assembly and periodically during use.
- The mattress cover and fabric lining are removable and washable.
- If there is any damage to the components of this product, please do not use this product again, and place this product away from children.
- When washing mattress cover and fabric lining, do not use dissolvable and corrosive articles.
- Please check this product regularly. Make sure each part is well connected and well installed. Stop using for poor connection and connect/install it again if necessary.
- This product contains electronic components, which shall not be used in water or in a humid environment. Please ensure the product is dry and store it in a cool and dry place, avoiding direct sunshine for a long time.

MAINTENANCE

This product requires regular maintenance to keep it in good working order. Regularly check all parts of the product to ensure that they are operating correctly and for signs of wear or damage. Only replacement parts supplied or recommended by the manufacturer should be used.

CLEANING

Refer to care label on the product for cleaning instructions for fabrics. Clean metal or plastic components with mild detergent and warm water. Never use abrasive, ammonia based, bleach based or spirit type cleaners. Ensure the product is fully dry before use or storage.