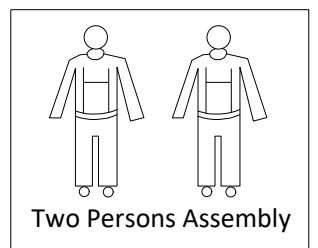
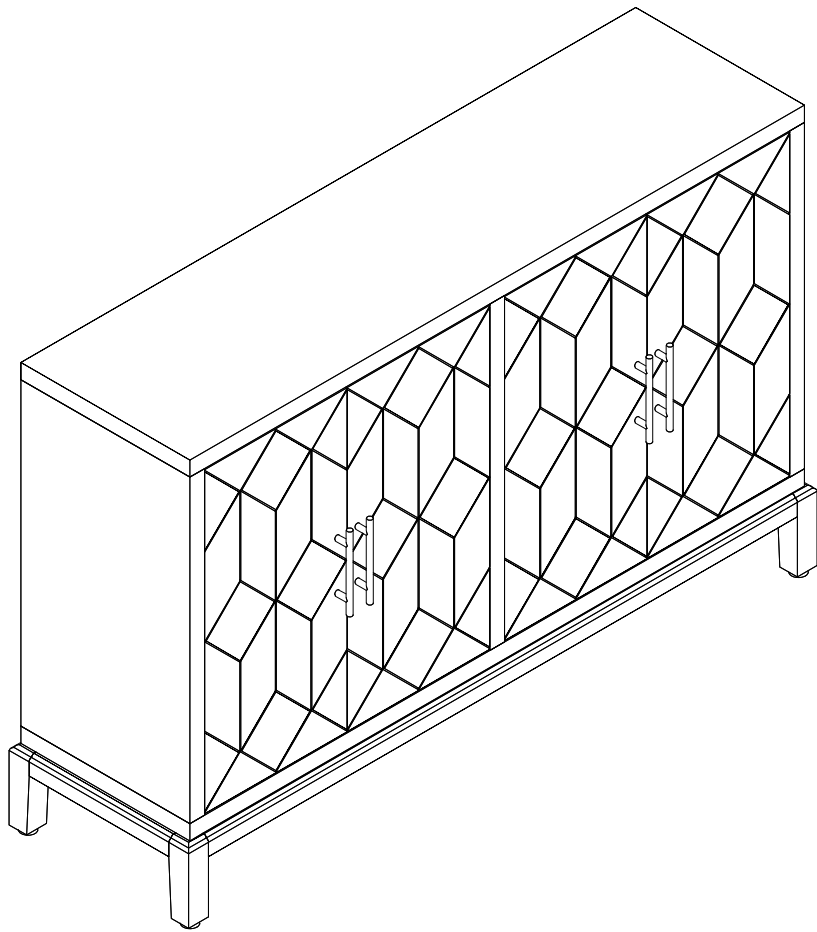
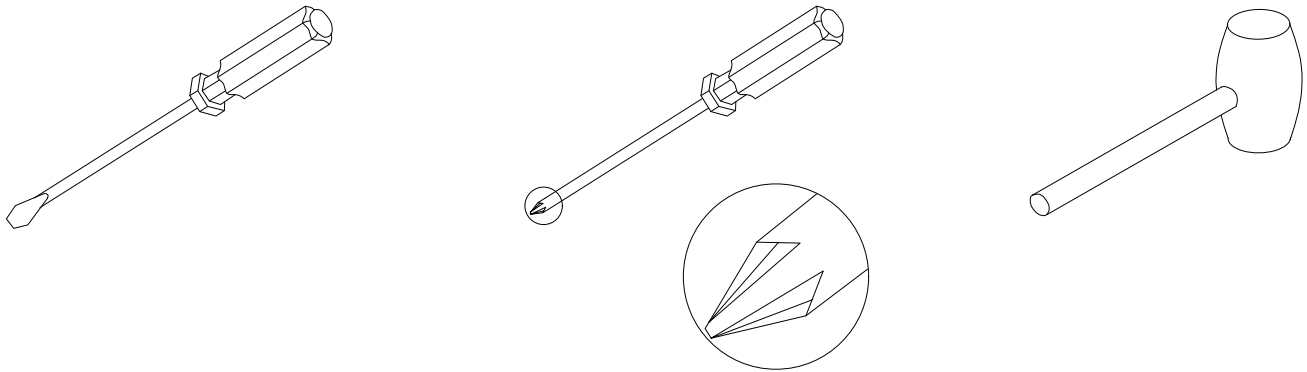


ASSEMBLY INSTRUCTIONS

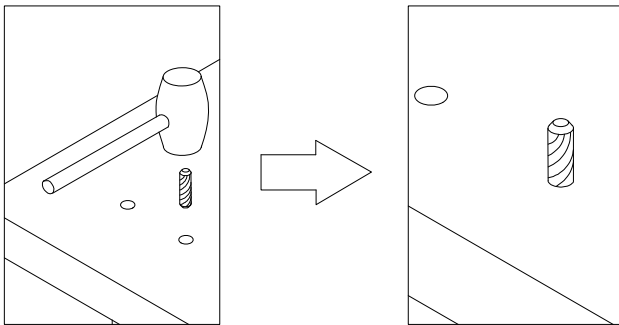
Item NO.: YJJ240052



ASSEMBLY TOOLS REQUIRED (NOT INCLUDED)



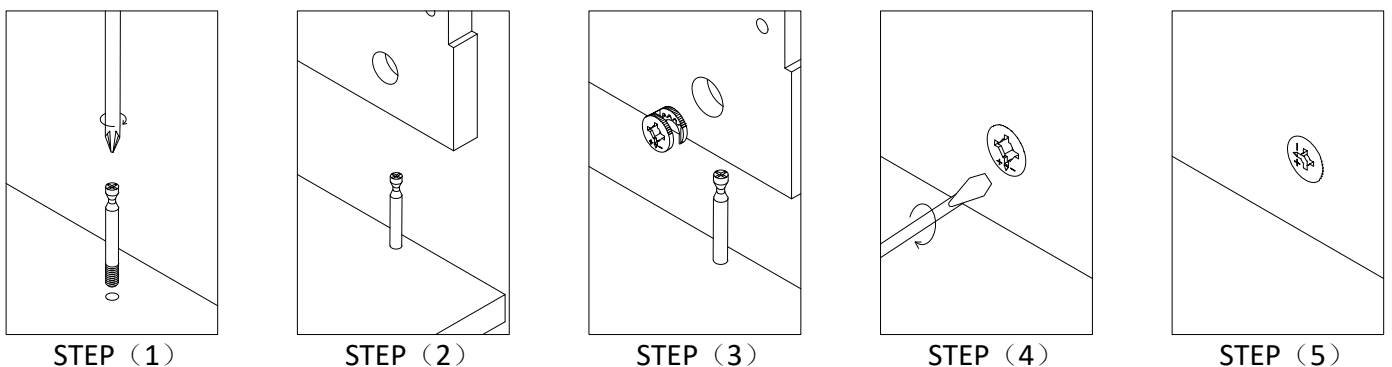
Wooden Dowel Installation



Gently tap dowel into hole with rubber mallet.

- * Before discarding packing materials, please check all parts and hardware are presented.
- * Please follow the instructions closely.
- * After few days of initial assembly, the product may has acclimated to new environment, please tighten all hardware again.

Hidden Connector..... Assembly Techniques



STEP (1)

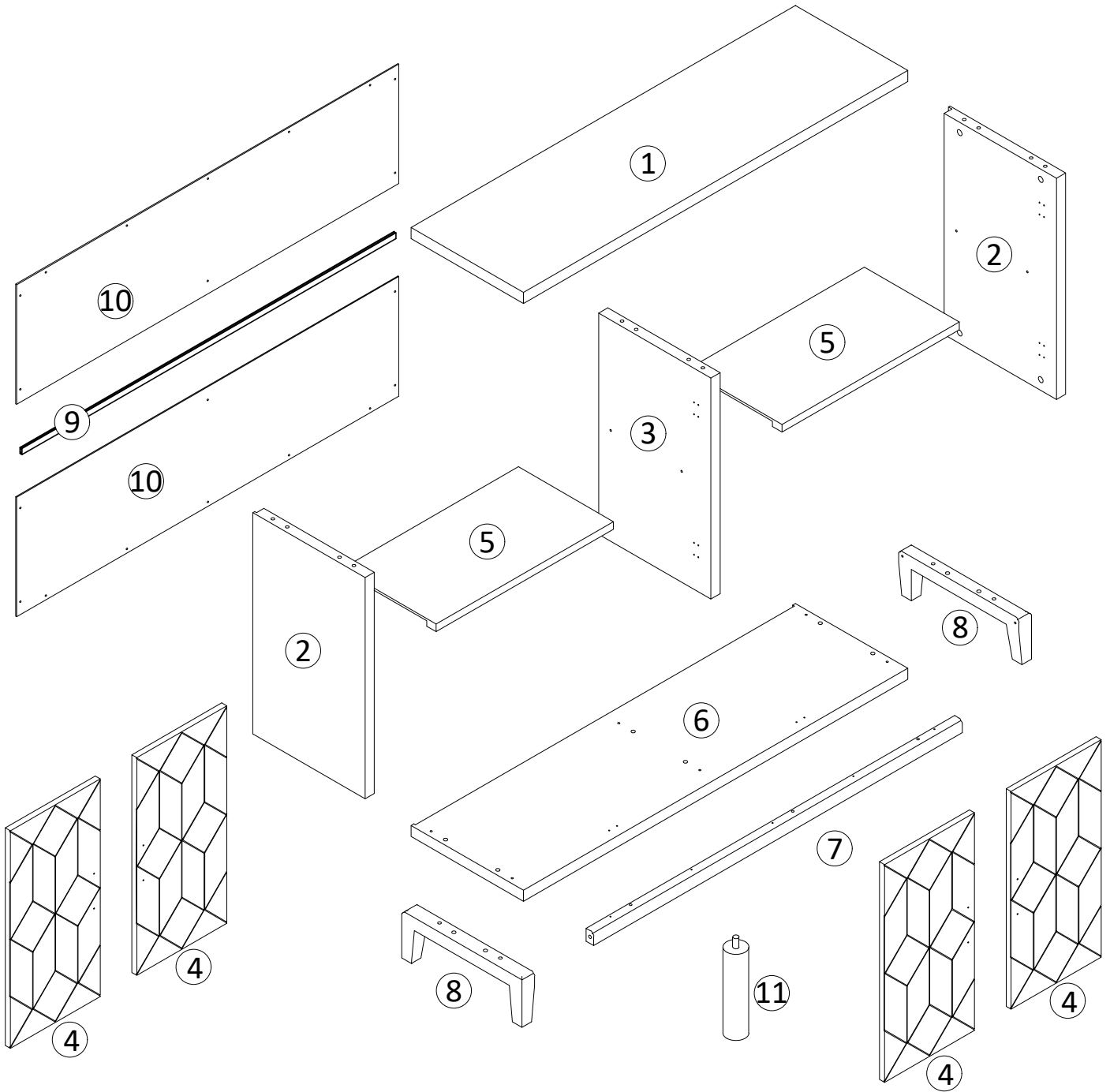
STEP (2)

STEP (3)

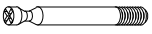


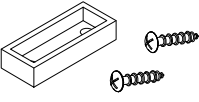

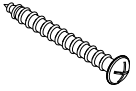
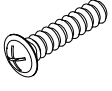
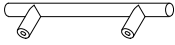
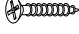
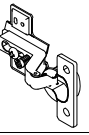


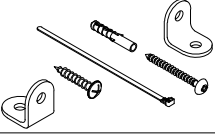
STEP (4)

STEP (5)

Laying out all the parts and hardware and identifying each part as shown below. It may help you when you assemble the item.

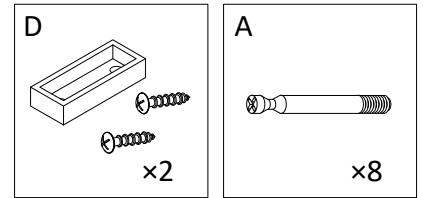
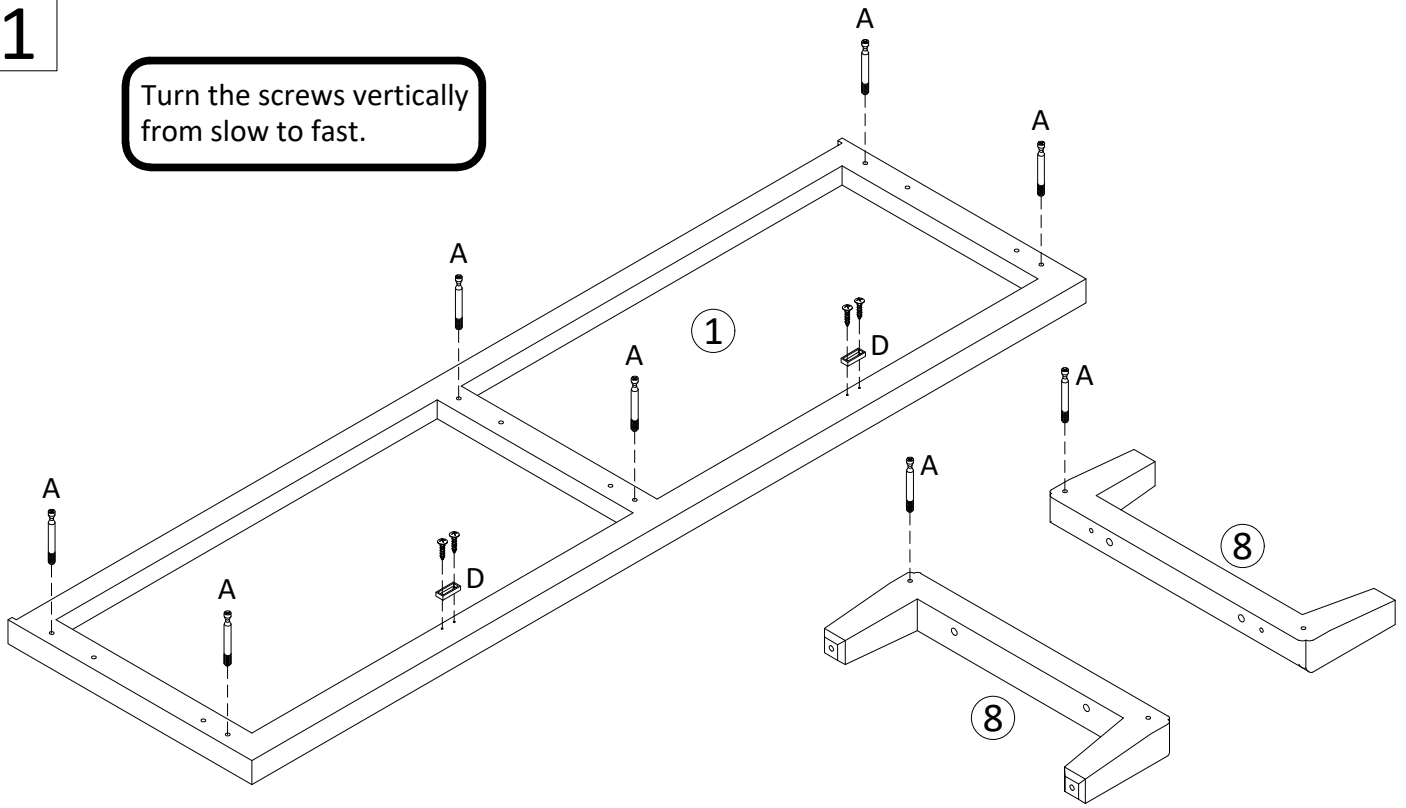


① ×1	② ×2	③ ×1	④ ×4	⑤ ×2	⑥ ×1
⑦ ×1	⑧ ×2	⑨ ×1	⑩ ×2	⑪ ×1	

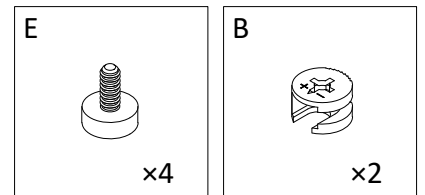
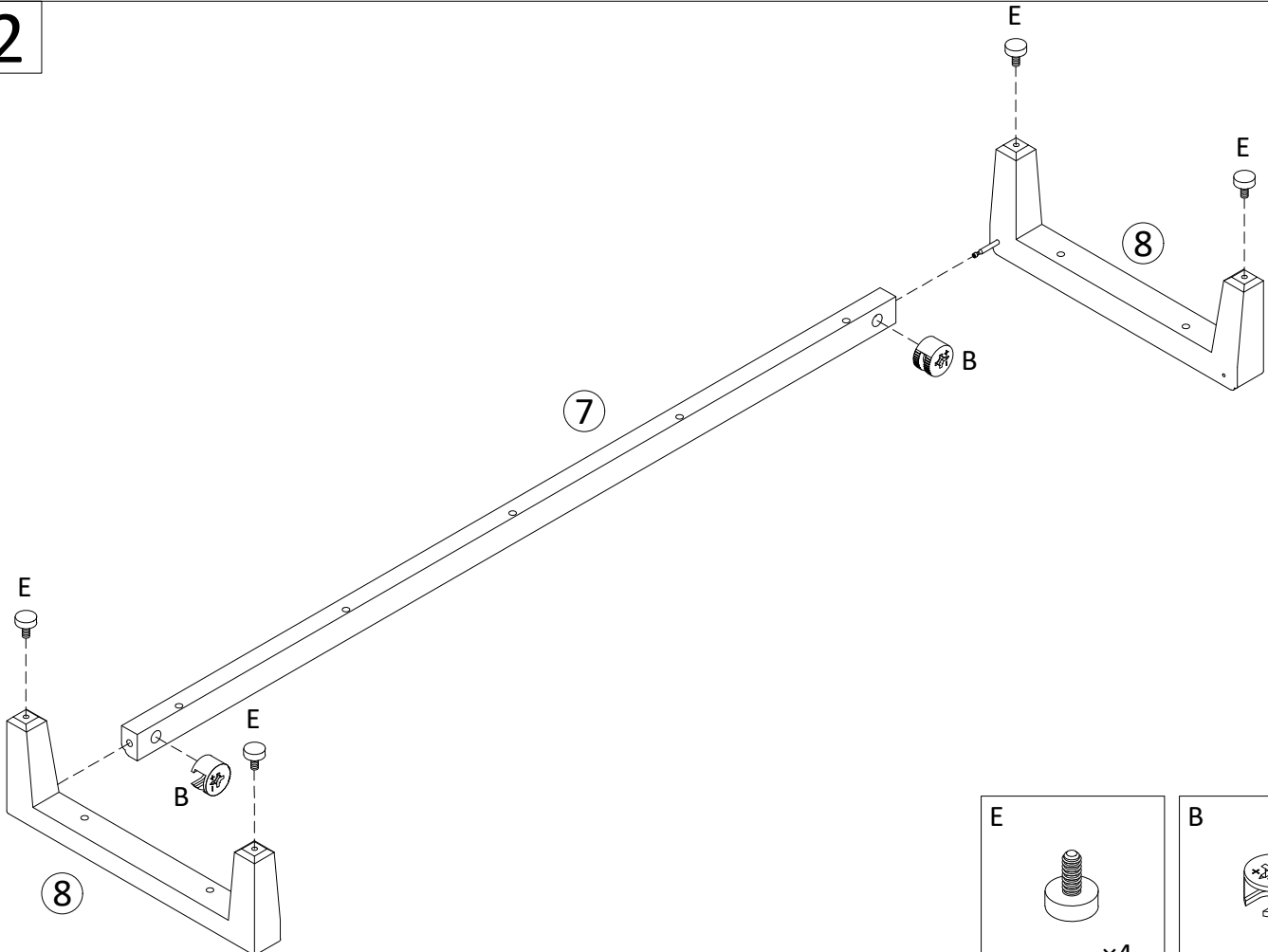
A	x14+1(Spare)	B	x14+2(Spare)	C	x19+1(Spare)	D	x4	E	x5
									
ø6×27mm		ø15×9.5mm		ø6×30mm		FA3×12mm		M6×15L-ø20×6T	
F	x9	G	x8	H	x4	I	x48+2(Spare)	J	x8
									
FA4×35mm/D8		M4×22mm		200mmH		FA3.5×14mm		ø26mm-L	
K	x8+1(Spare)	M	x20+2(Spare)	N	x2				
									
5×8/5×8mm		FA3×12mm		4×40mm/4×12mm					

1

Turn the screws vertically
from slow to fast.

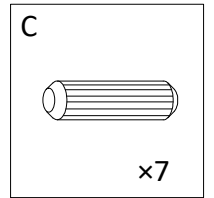
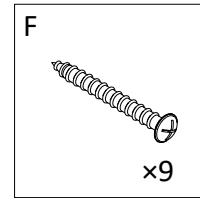
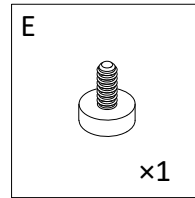
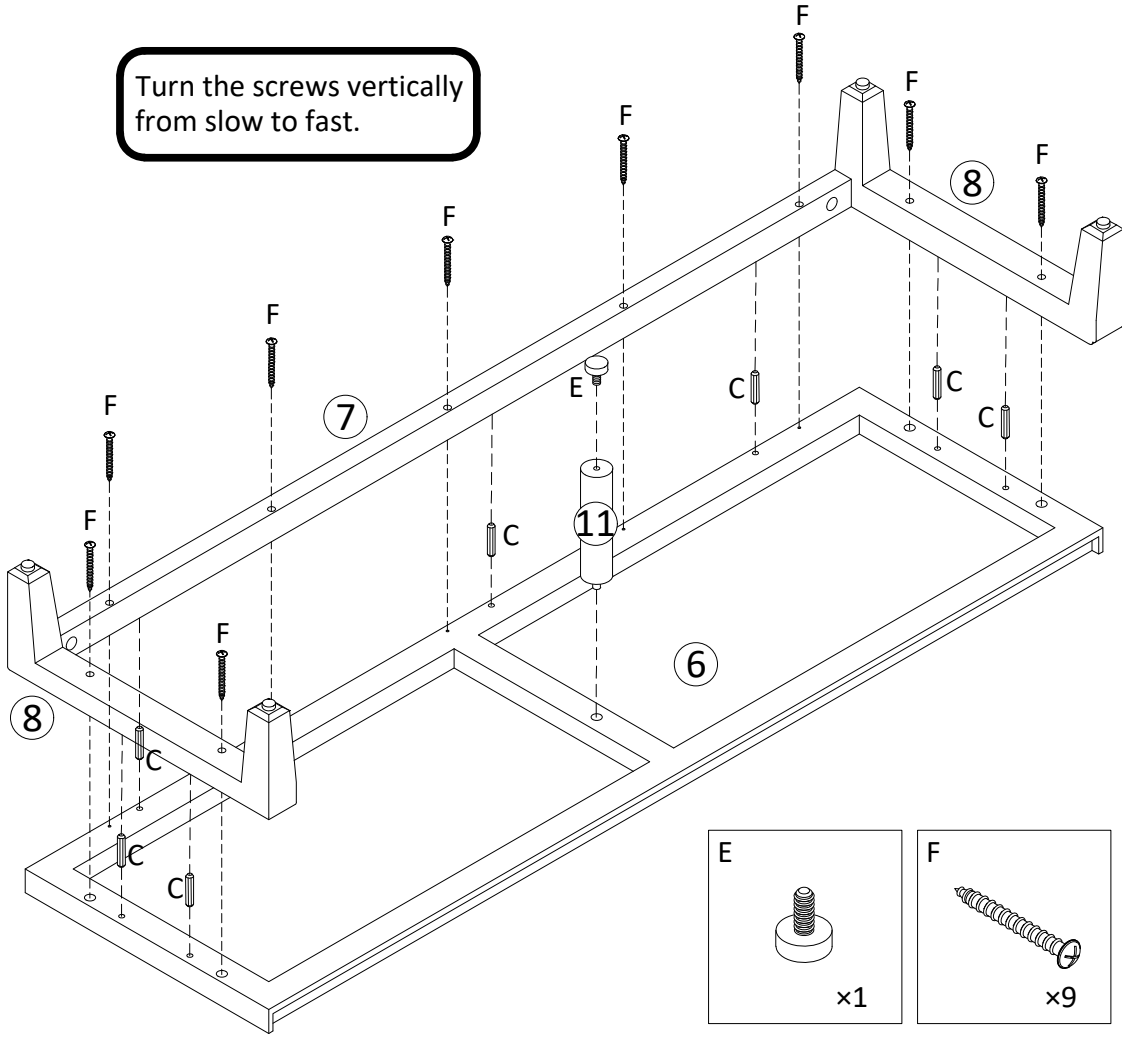


2



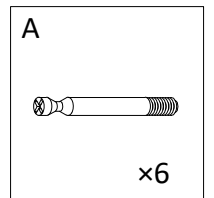
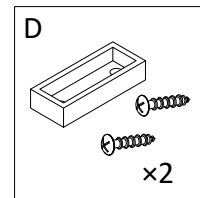
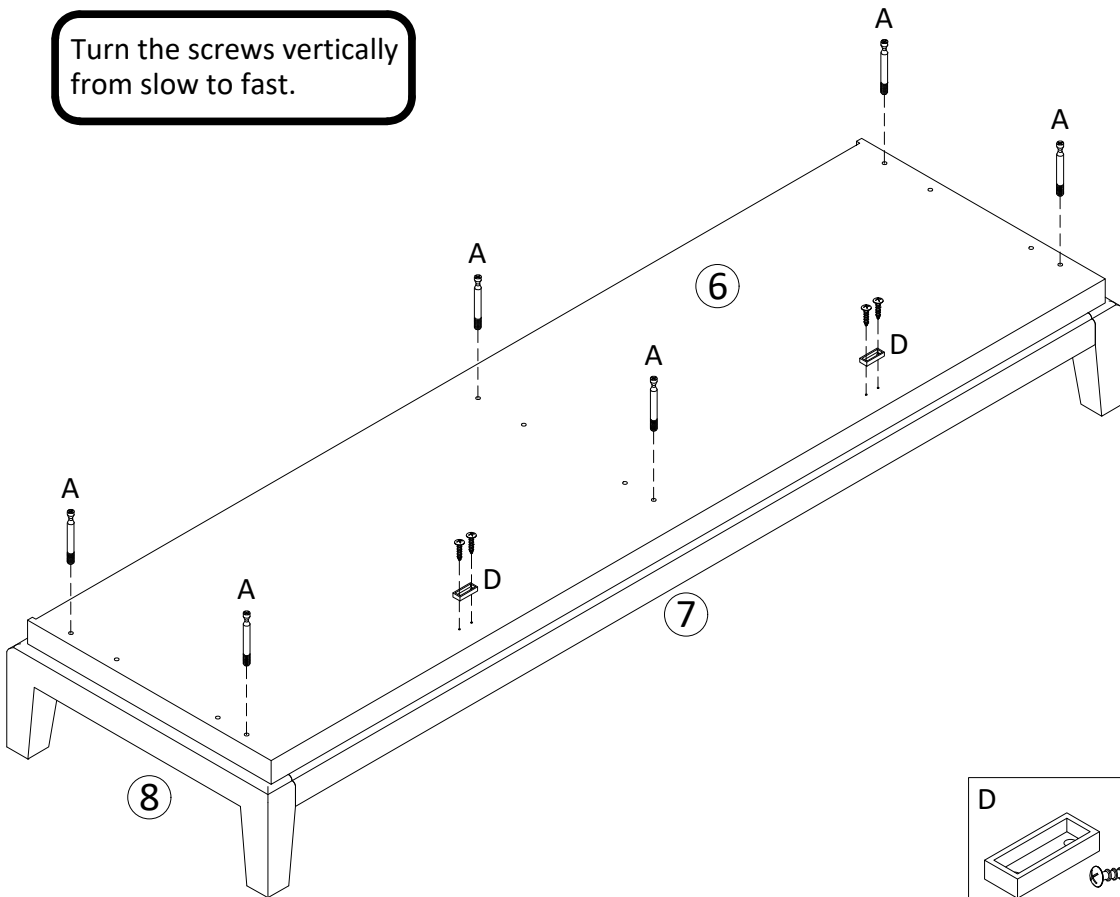
3

Turn the screws vertically from slow to fast.

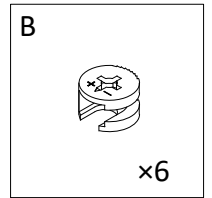
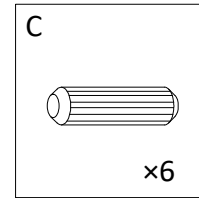
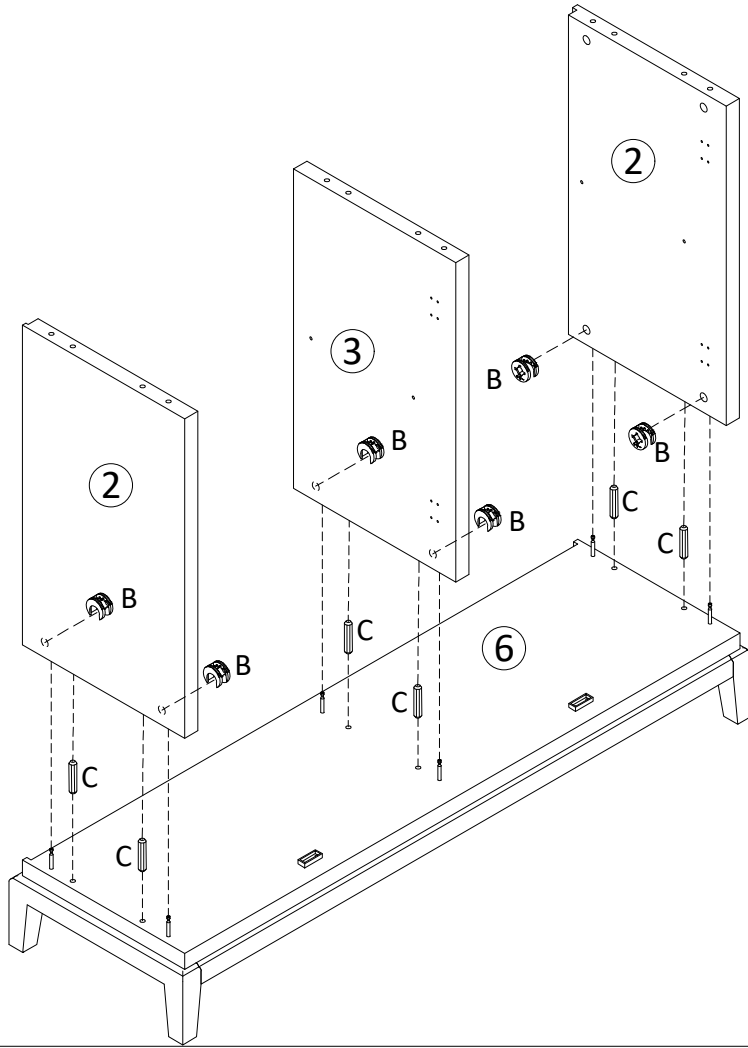


4

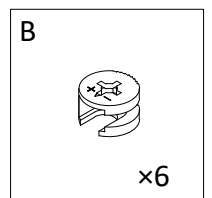
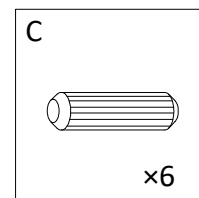
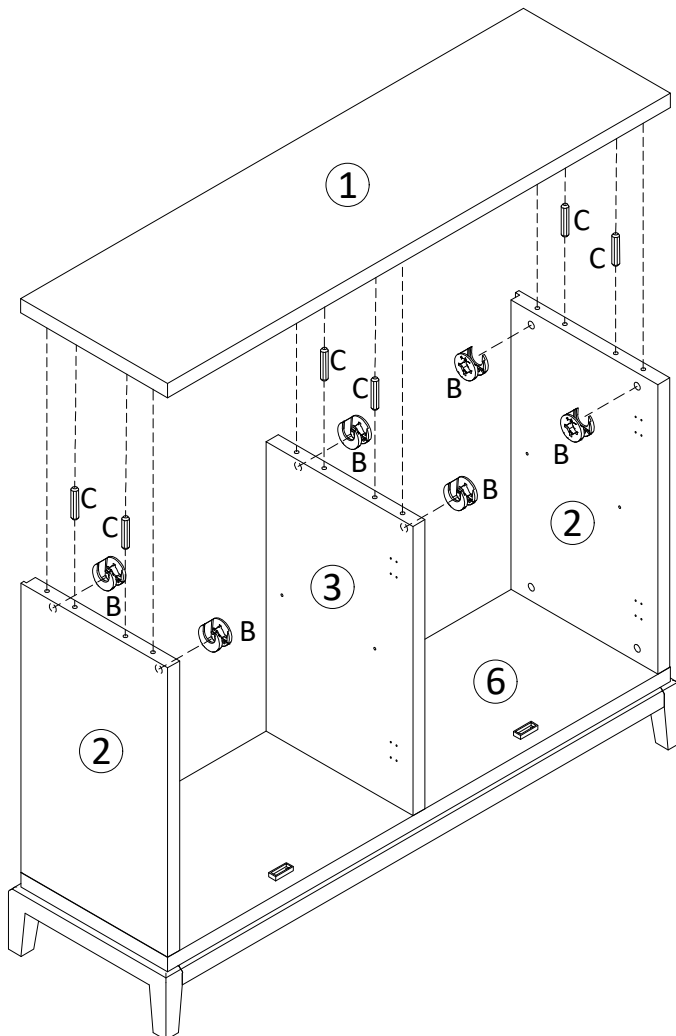
Turn the screws vertically from slow to fast.



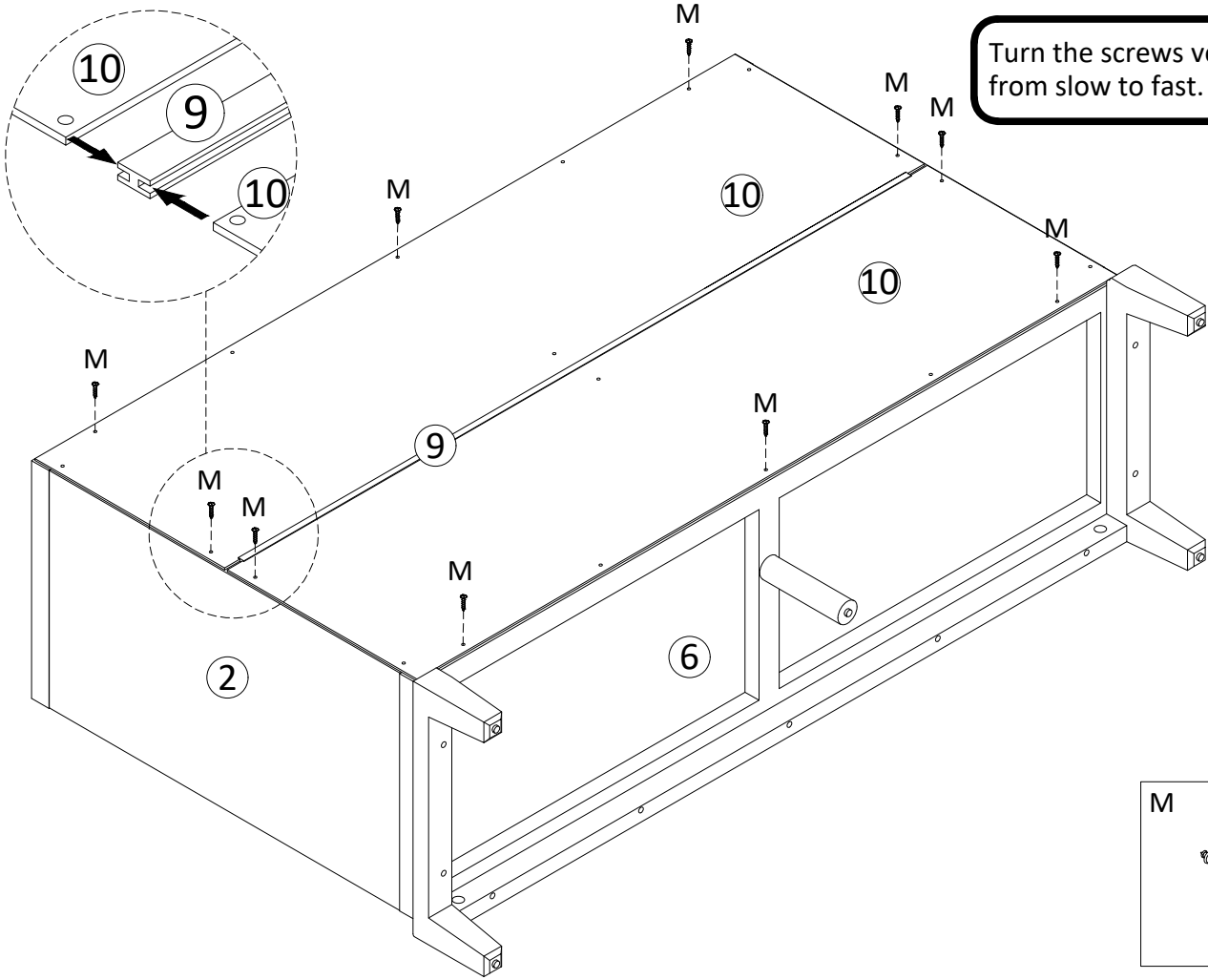
5



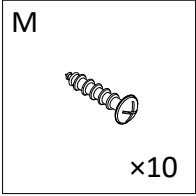
6



7

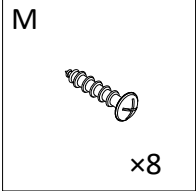
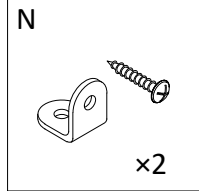
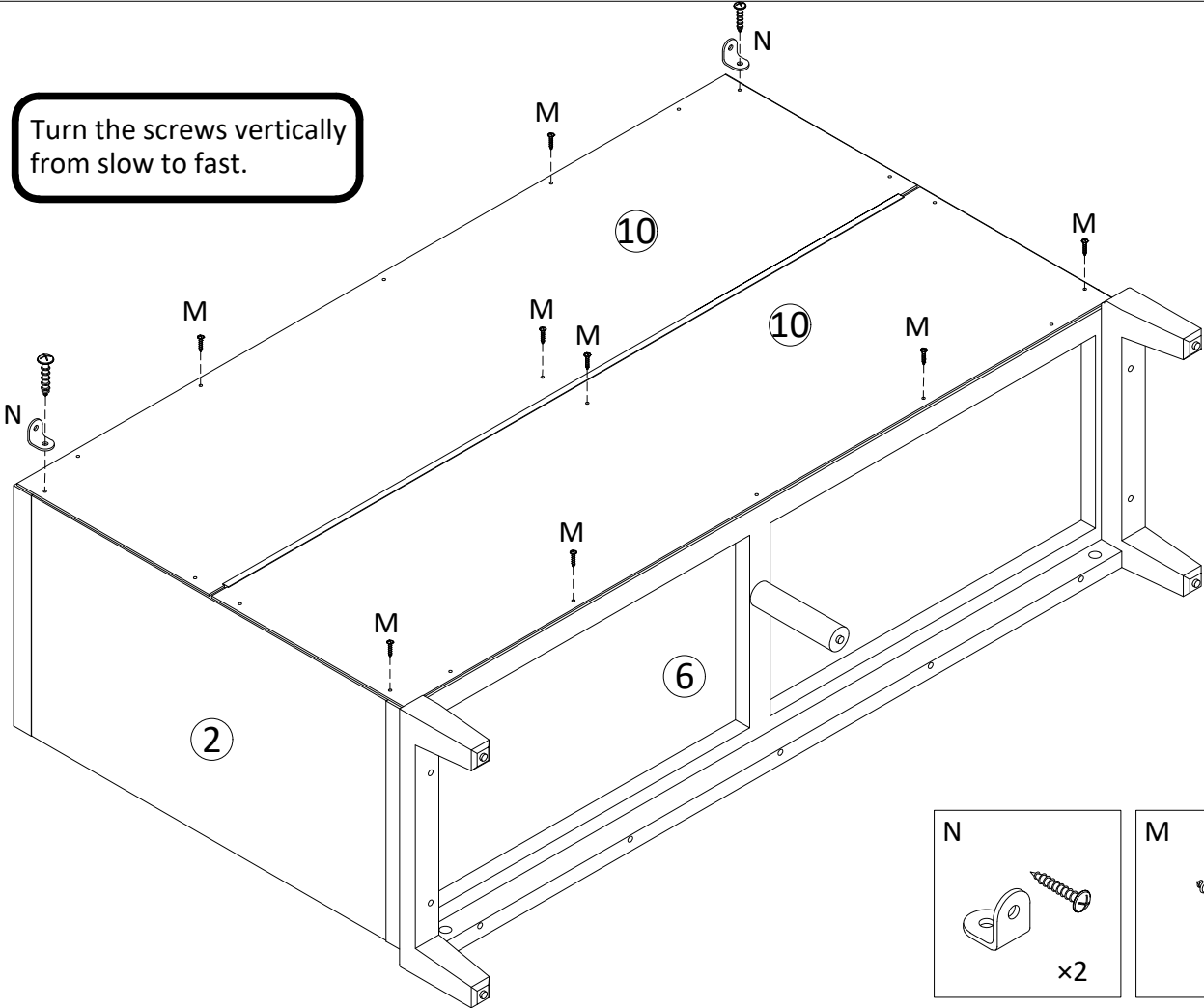


Turn the screws vertically from slow to fast.

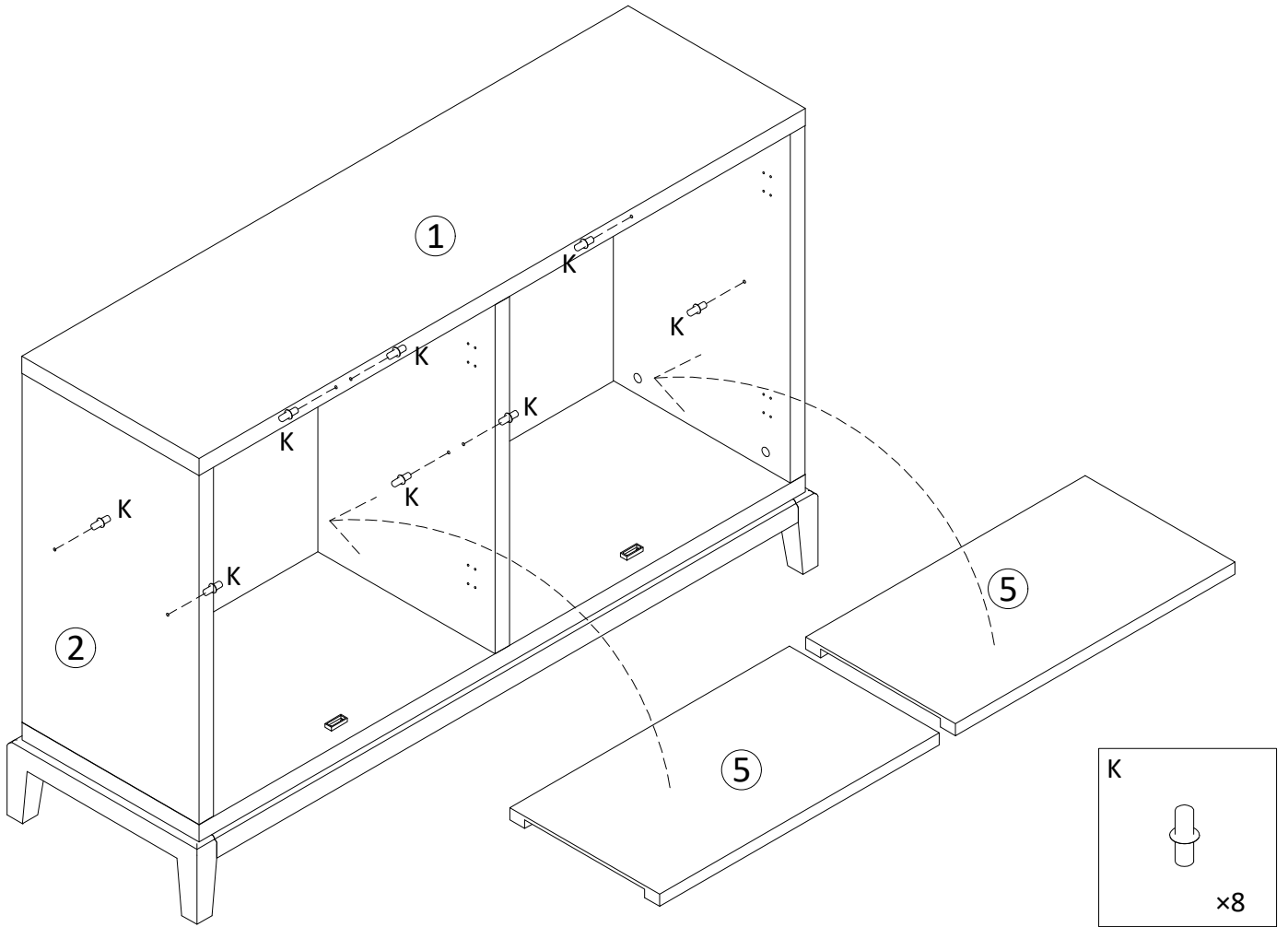


8

Turn the screws vertically from slow to fast.

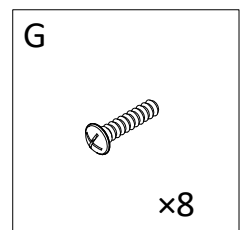
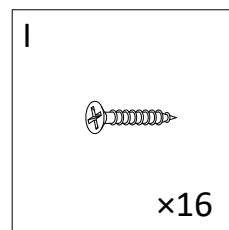
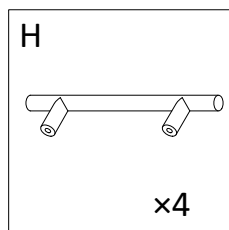
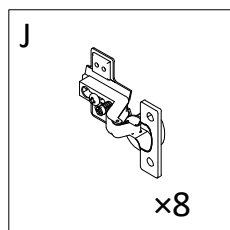
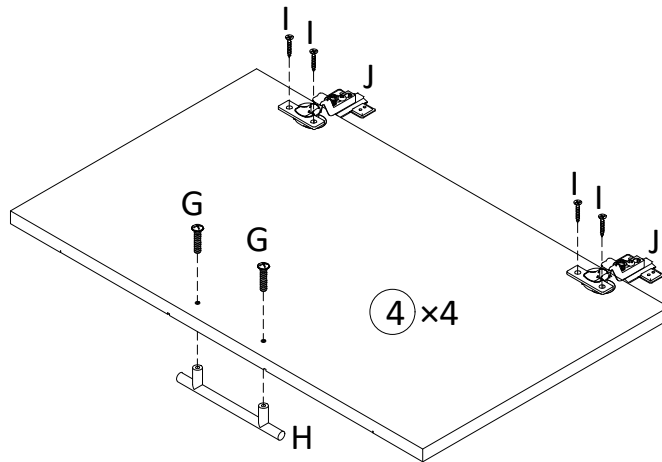


9

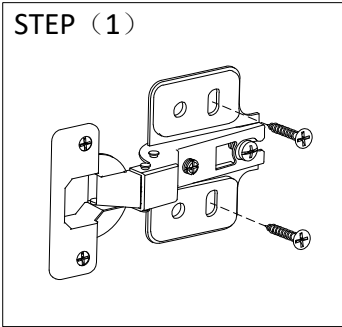


10

Turn the screws vertically from slow to fast.

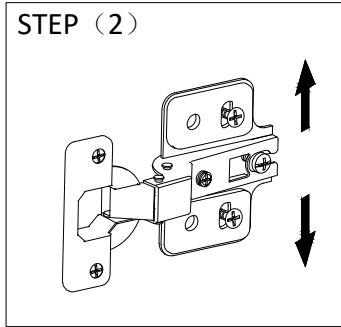


STEP (1)



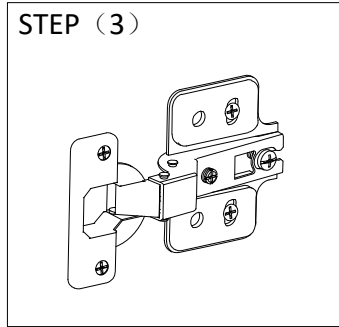
Tips: Turning the screw to approx 50% tightness, don't be fully tight.

STEP (2)



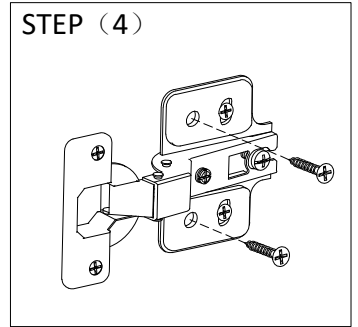
Tips: Moving the hinges up or down appropriately to adjust the gap between the door and cabinet top and bottom.

STEP (3)

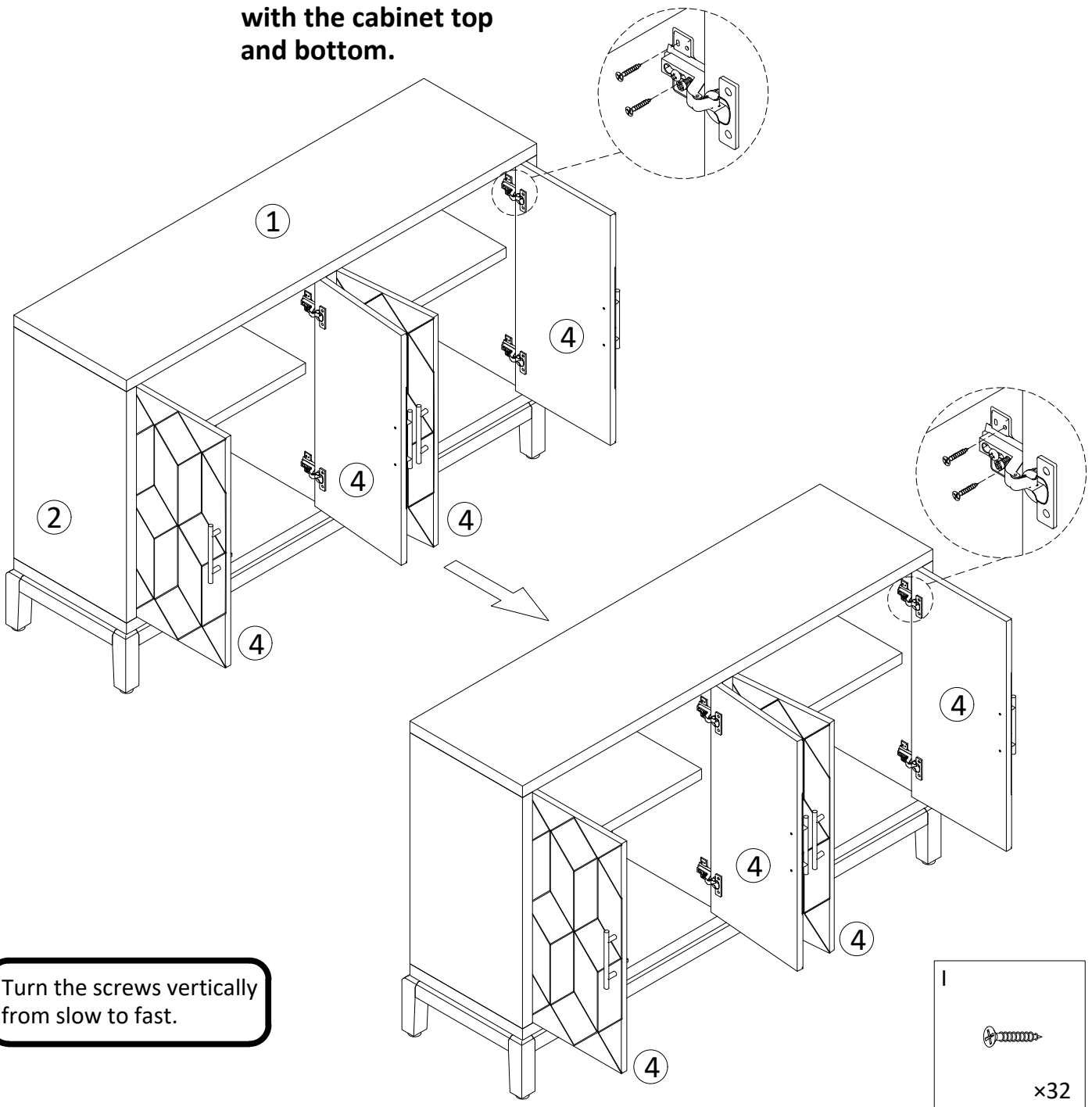


Tips: Tightening the screws completely.

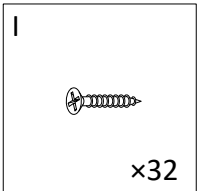
STEP (4)



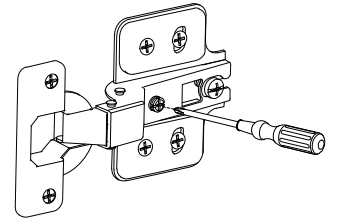
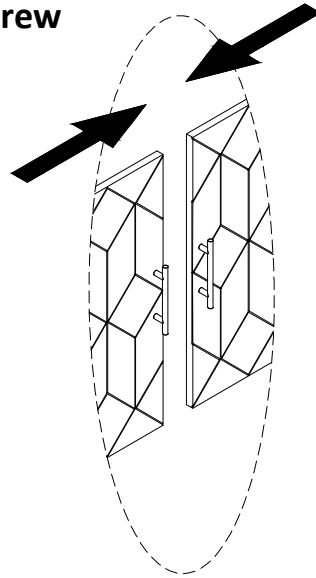
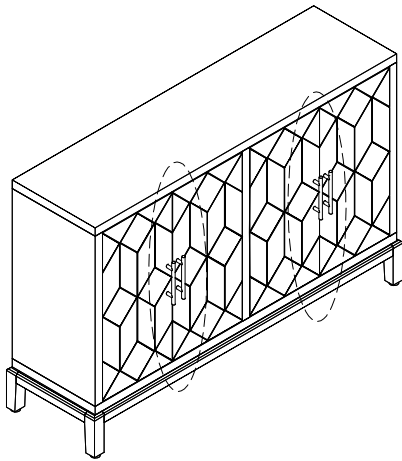
Tips: Tightening the other screws completely.



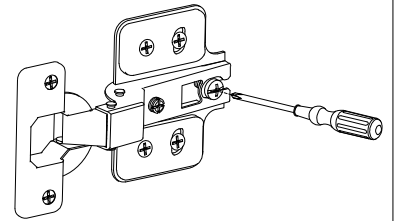
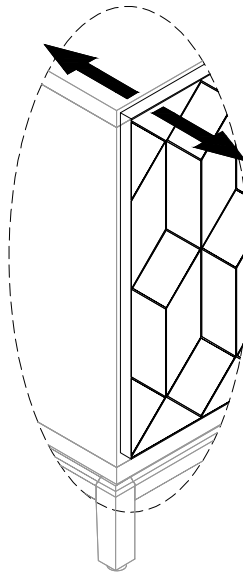
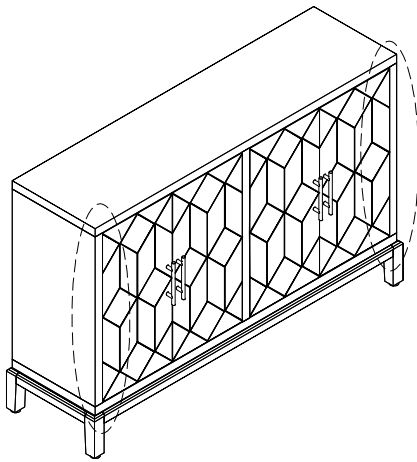
Turn the screws vertically from slow to fast.



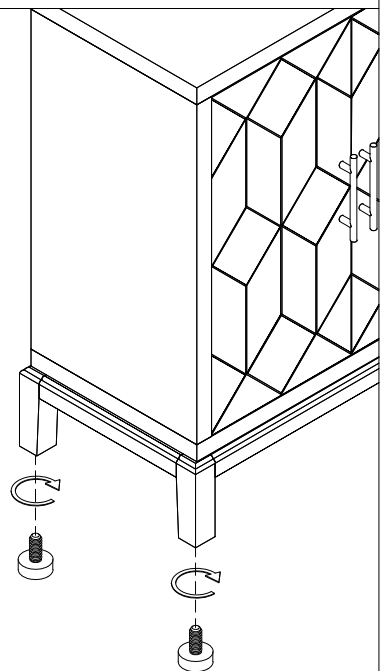
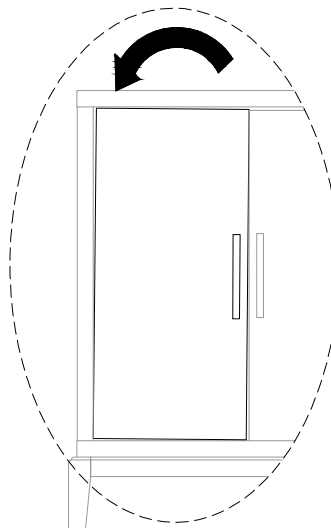
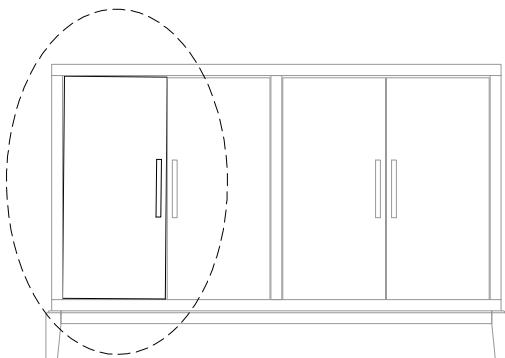
12 Tips: If the gap between two doors is too far or close, please turning the screw as shown below.



Tips: Adjusting the screw as shown in the following picture can make the door move forward or backward.



Tips: Adjusting the levelers appropriately underneath the bottom of the foot can make the gaps between the door and frames of cabinet even.



13

