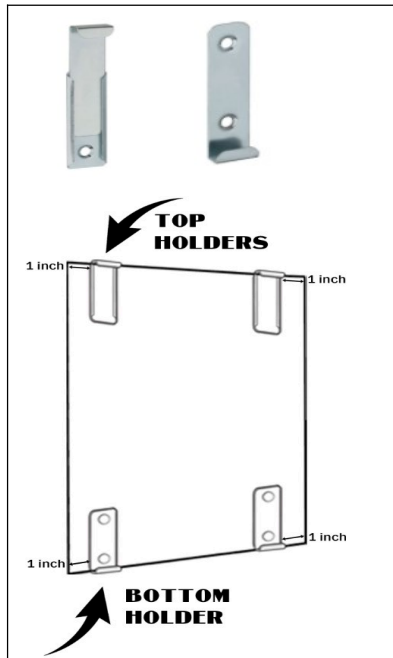


HANGING INSTUCTIONS :



You will need:



Screw Driver



Measuring Tape



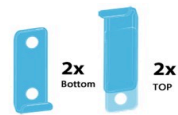
Screws
(included in your order)



Wall Anchors
(included in your order)



Pencil



Mirror Holders
(included in your order)

Important :

The bottom and top mirror holders are not the same. The bottom holders are made of one solid piece.

The top holders have a sliding system allowing the mirror to be adjusted & securely fitted.

X X

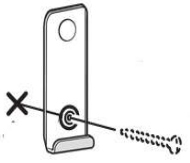
Step 1: Determine where you would like to hang your new mirror.

Using a measuring tape and a level, place the mirror anchors 1 inch in from the corners of the mirror.

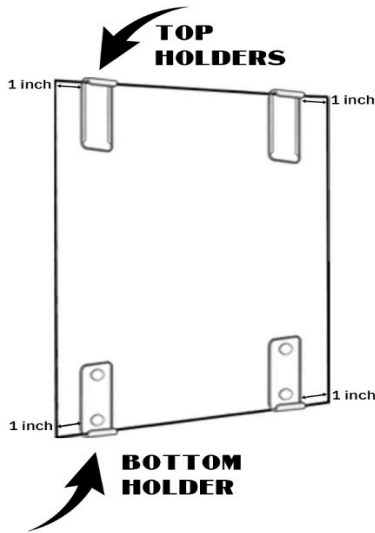
X X



Screw Driver Measuring Tape Pencil



Start with the bottom 2 holders followed by the top 2 holders. Mark these placements on the wall using a pencil.



Step 2 : Using a screw driver or 1/4" 6mm drill, drill a hole at each wall anchor mark, slightly smaller than the diameter of the wall anchor.



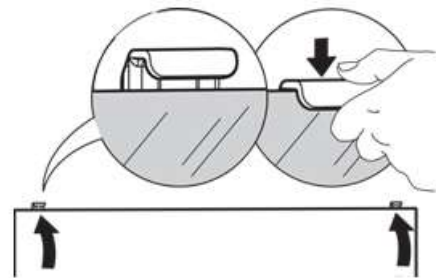
Step 3 : Insert one wall anchor into each hole until head of the anchor is flush with the surface of the wall.

Step 4 Bottom Holders : Fasten 1 screw through the bottom mirror holder into the anchor. Repeat for both bottom holders.



Step 5 Top Holders : IMPORTANT : These holders need to arrive flush at the top of the mirror. When they are closed, they will hold the mirror in place securely.

Step 6 : Place the mirror into the bottom mirror holders first. Then, adjust and click the top mirror holders into place.



IMPORTANT - MIRROR CLEANING INSTRUCTIONS :

Please only use a damp microfiber cloth to clean your mirror. Please do not use any kind of chemicals for cleaning as it may alter the design on the mirror.