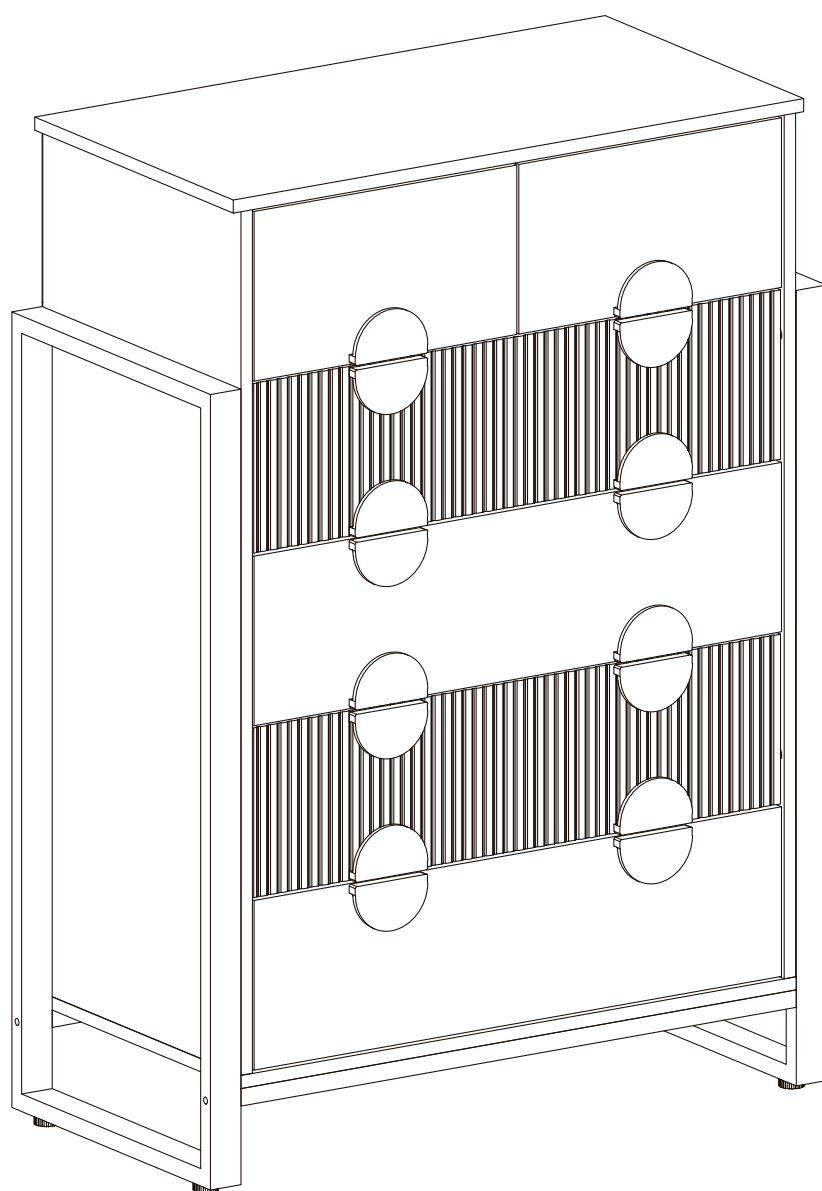


# CUSTOMER MANUAL

-V3.4



**⚠ WARNING**



**Children have died from furniture tipover.**

**To reduce the risk of furniture tipover:**

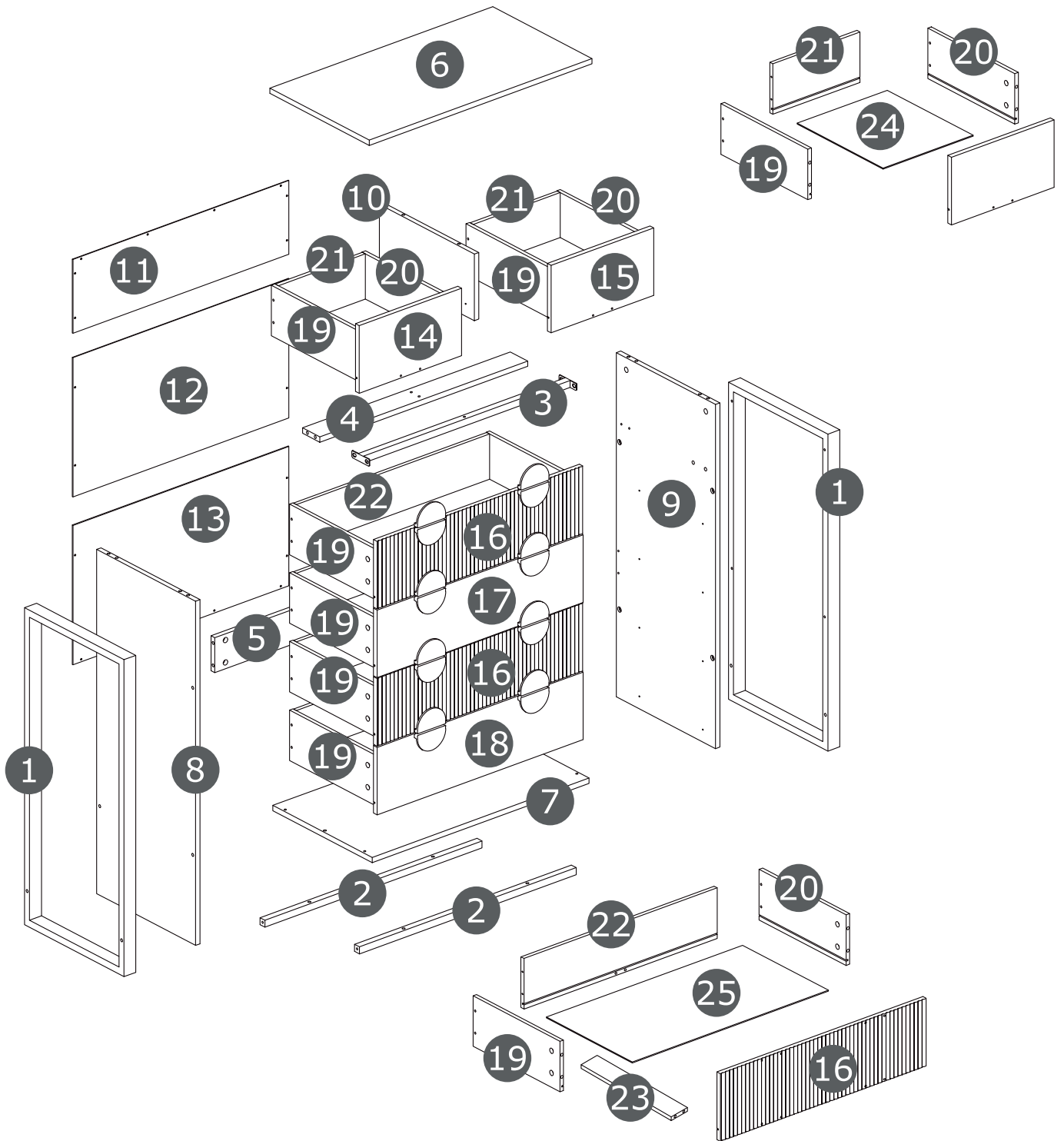
- ALWAYS install tipover restraint provided.
- NEVER put a TV on this product.
- NEVER allow children to stand, climb or hang on drawers, doors, or shelves.
- NEVER open more than one drawer at a time.
- Place heaviest items in the lowest drawers.

*This is a permanent label.*

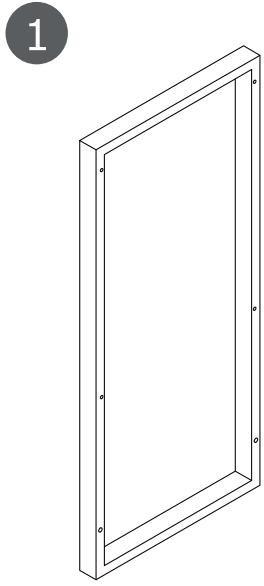
*Do not remove!*



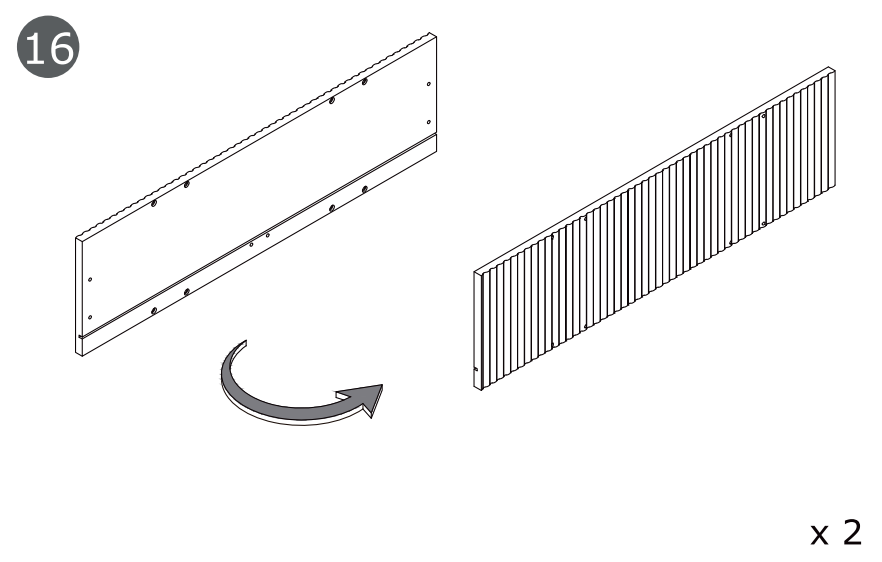
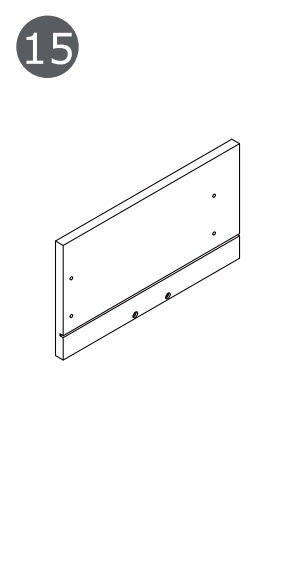
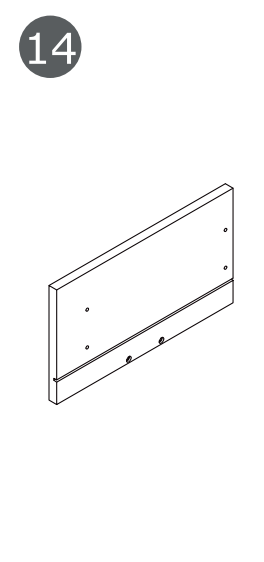
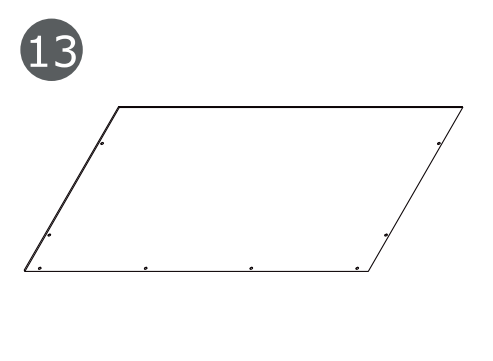
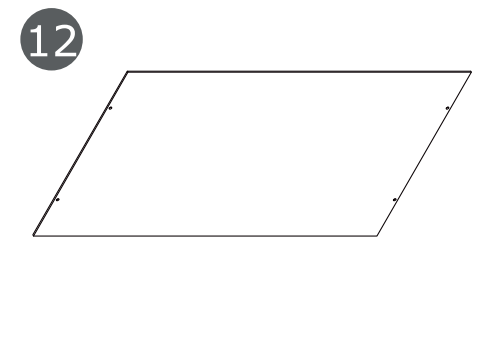
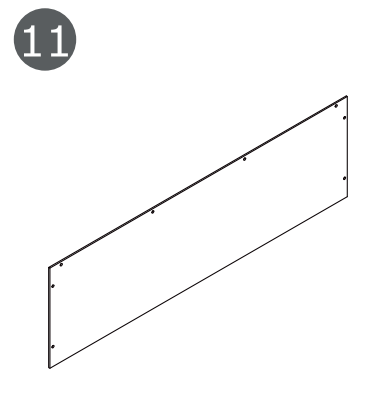
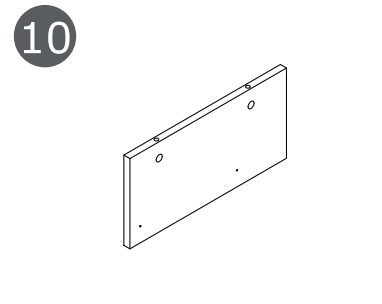
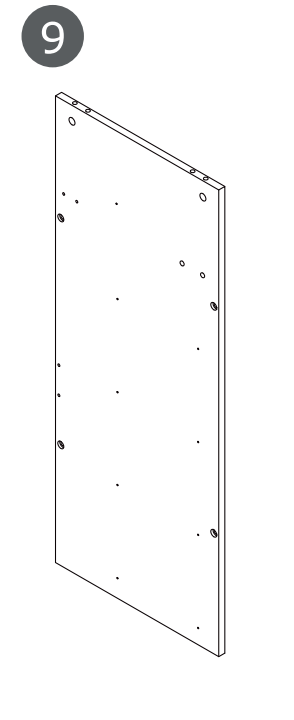
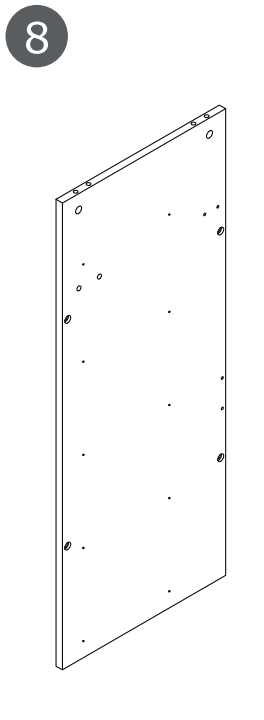
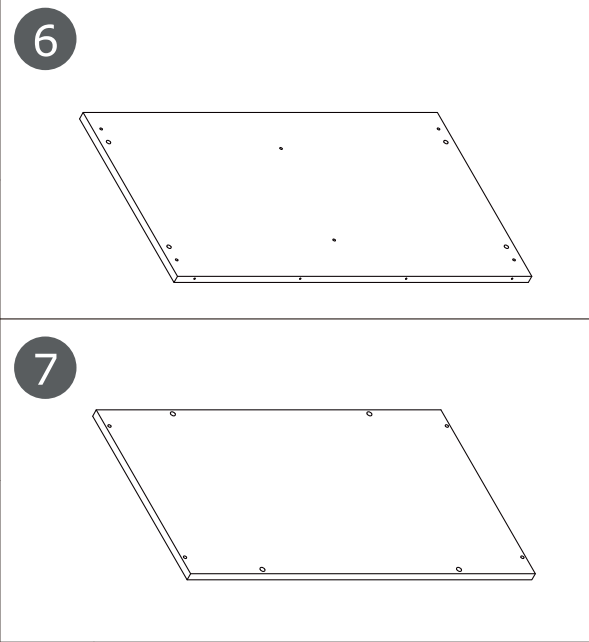
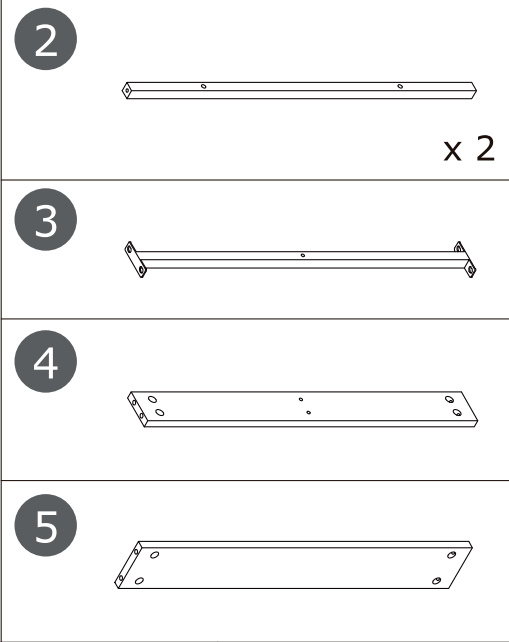
# ASSEMBLY STRUCTURE REFERENCE DIAGRAM



# PARTS



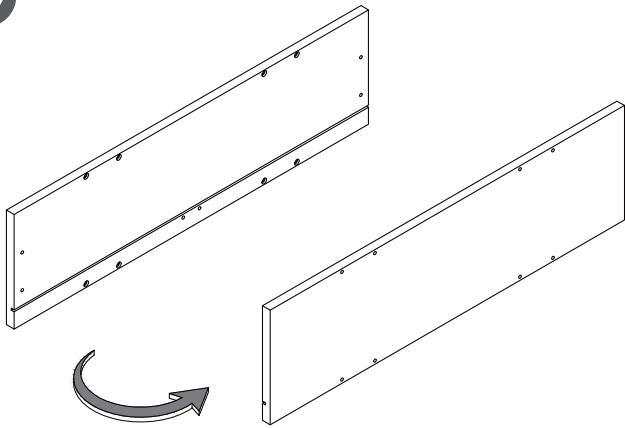
x 2



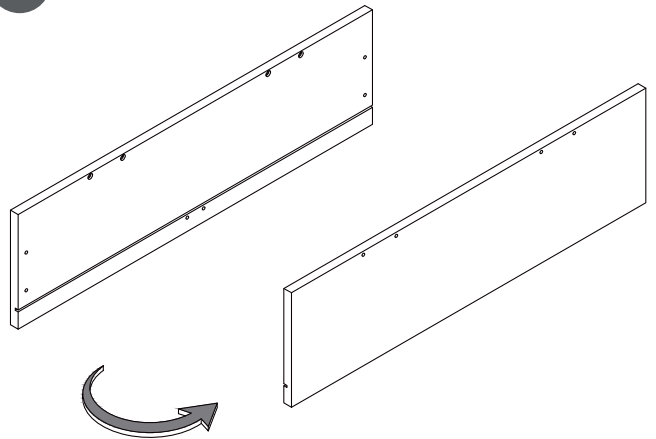
x 2

# PARTS

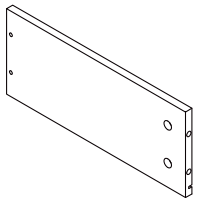
17



18

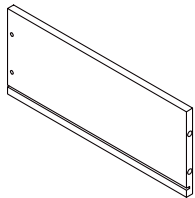


19



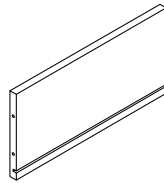
x 6

20



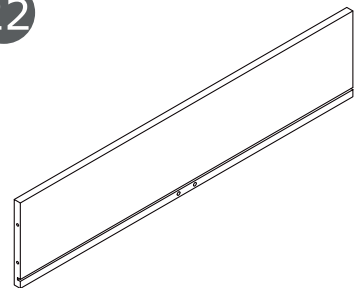
x 6

21



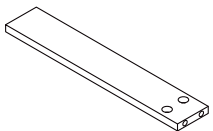
x 2

22



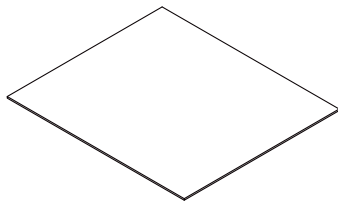
x 4

23



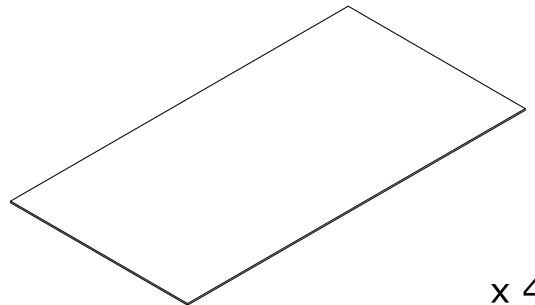
x 4

24



x 2

25



x 4

26

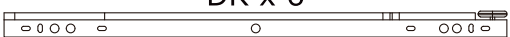
CL x 6



CR x 6



DR x 6



DL x 6



x 6

Attention: there are 4 kinds of slides in our product, in which 2 are **Boards slides**, which marked as **CL** & **CR** and contains 6 pieces respectively, and the other 2 are the **Drawer slides**, which marked as **DL** & **DR** and contains 6 pieces respectively.

# PARTS

A



M5 x 42 mm  
X 46 PCS

B



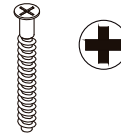
Ø15 x 10 mm  
X 46 PCS

C



Ø8 x 40 mm  
X 6 PCS

D



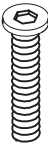
M5 x 40 mm  
X 39 PCS

E



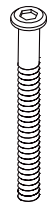
M3.5 x 12 mm  
X 94 PCS

F



M6 x 28 mm  
X 12 PCS

G



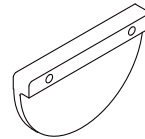
M6 x 70 mm  
X 4 PCS

H



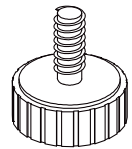
M4 x 15 mm  
X 32 PCS

I



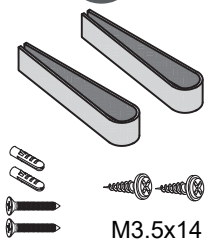
Ø95 x 64 mm  
X 16 PCS

J



M6 x Ø28 mm  
X 4 PCS

K



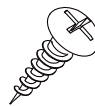
X 1 SETS

L



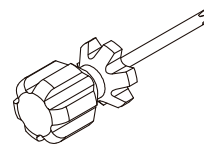
M6 x 10 mm  
X 4 PCS

M



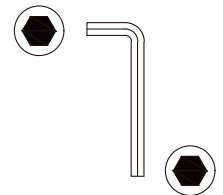
M3.5 x 14 mm  
X 6 PCS

+



X 1 PCS

4#

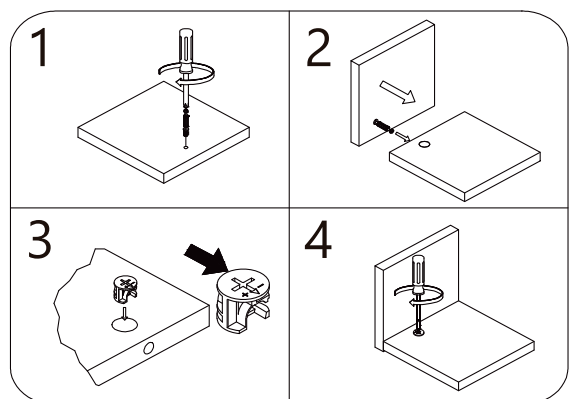
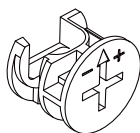


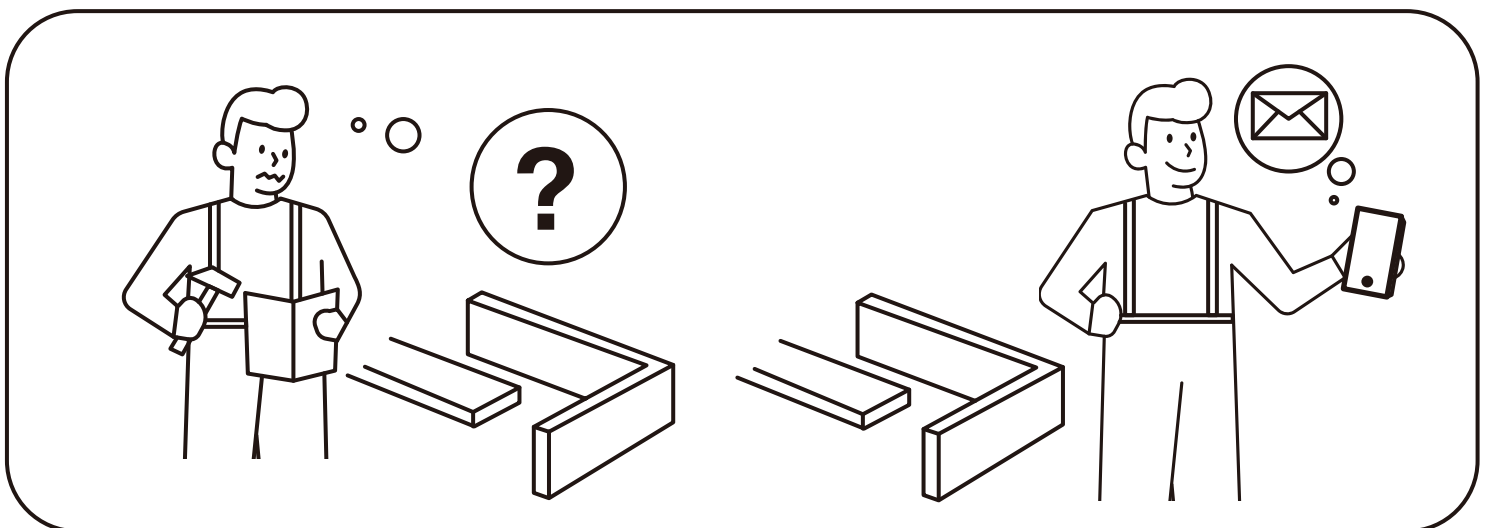
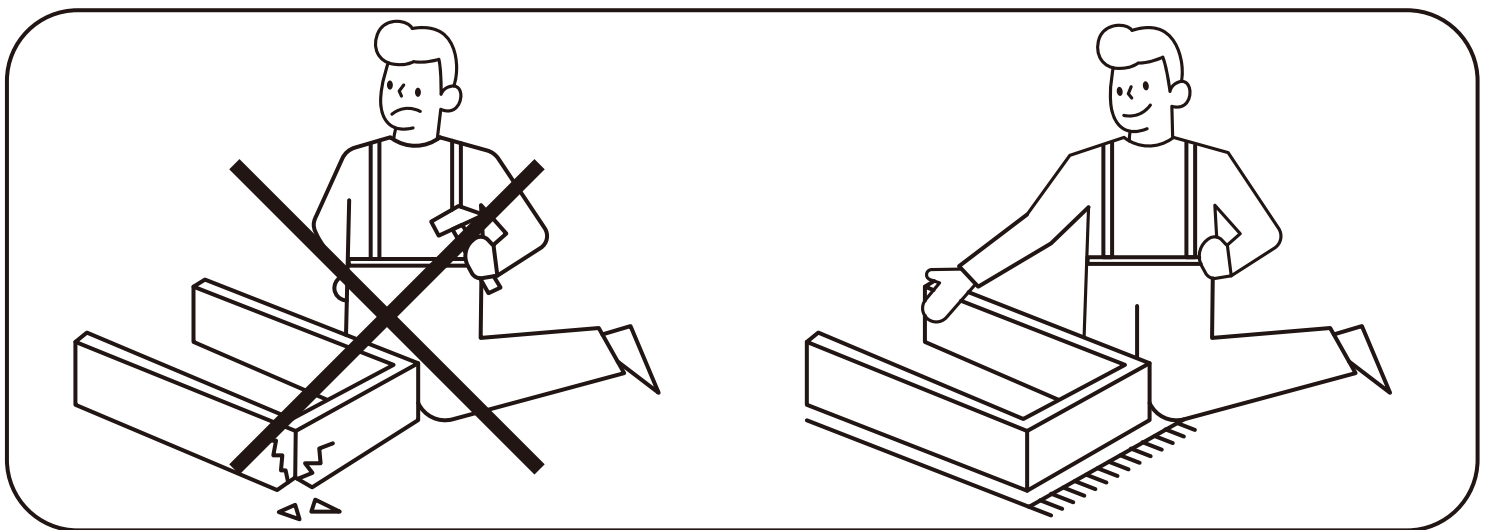
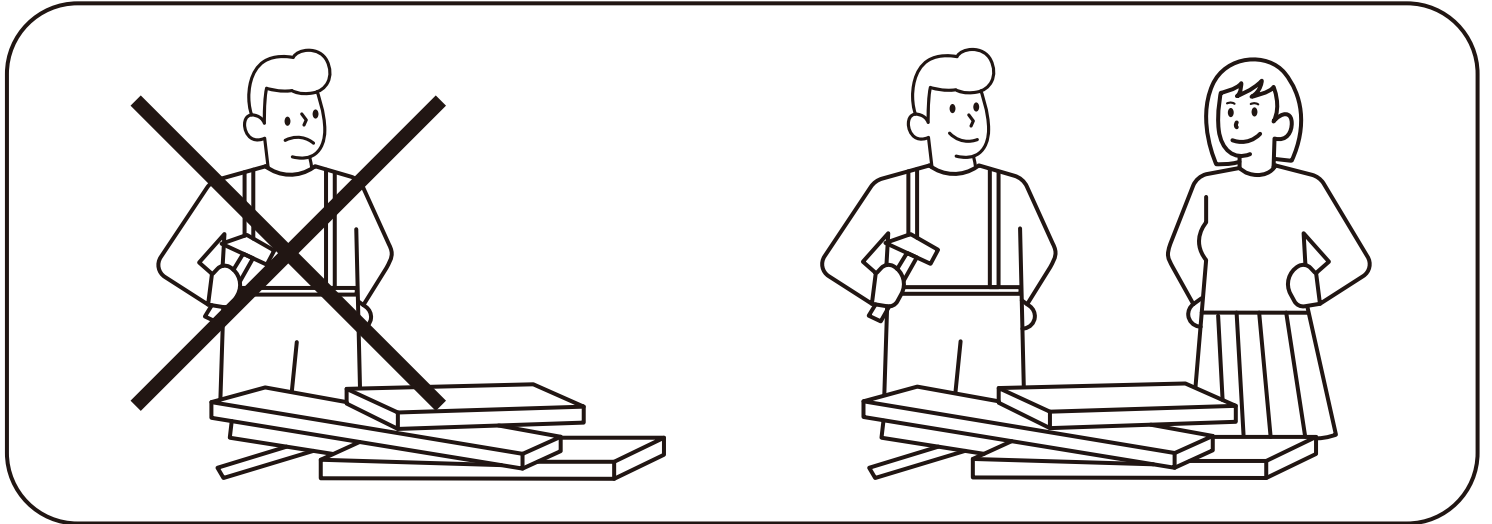
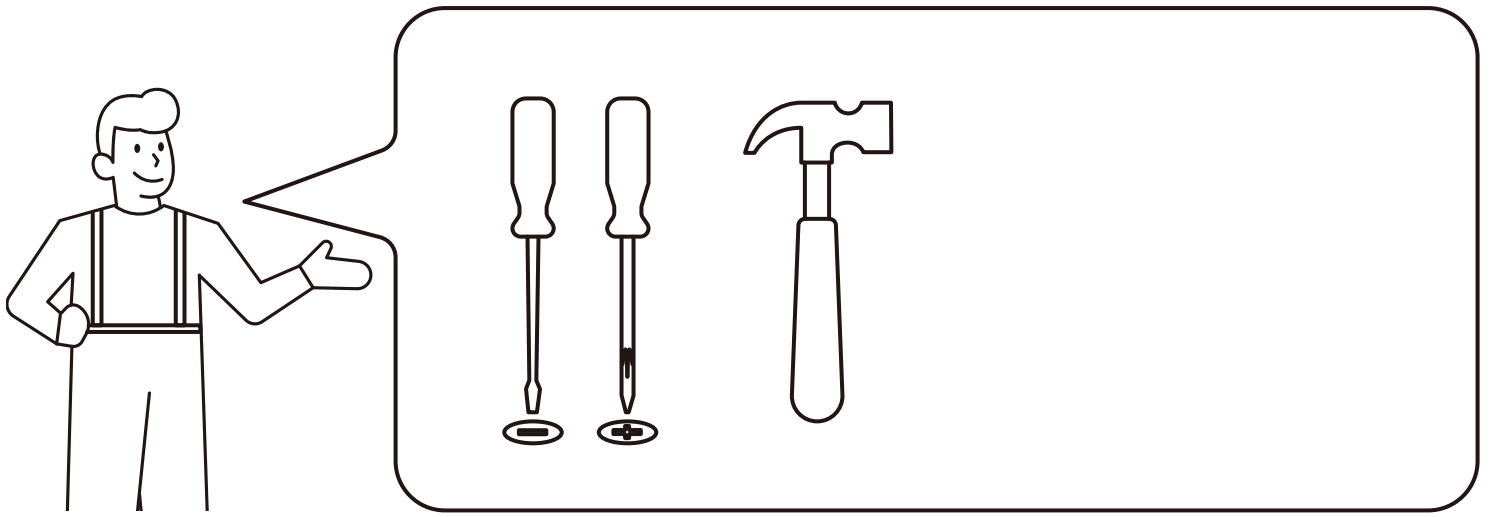
X 1 PCS

The hardware quantities listed above are required for proper assembly.  
Some extra hardware may also have been included.

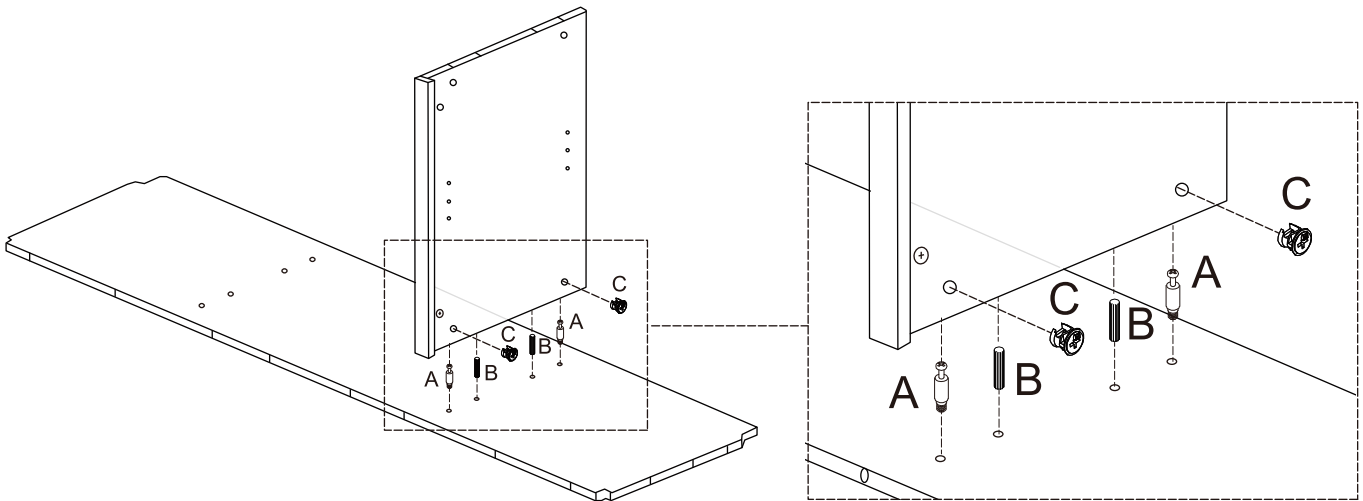
## Cam Lock Fastening System

This Cam Lock Fastening System will be used throughout the assembly process



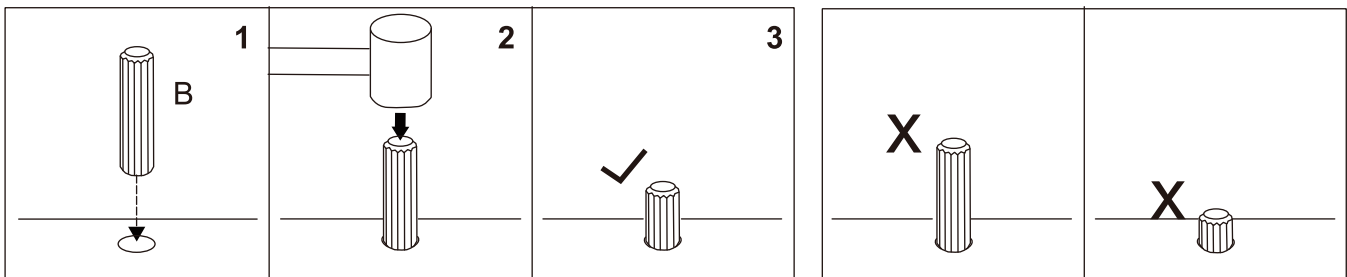


## How to work the Knock Down (kd) assembly system

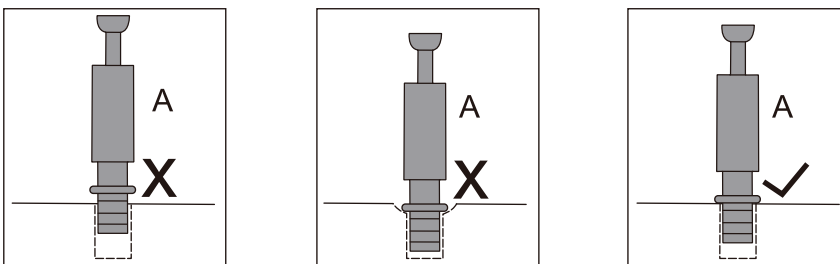


## How to install Wood Dowel

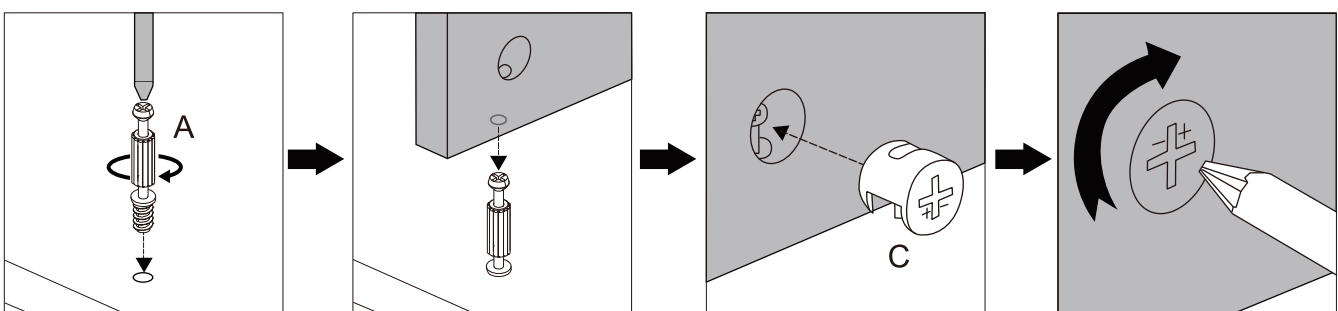
Insert the wood dowel [B] at least half way by tapping lightly with a rubber mallet, IF NECESSARY.



## How to use the Cam Lock system

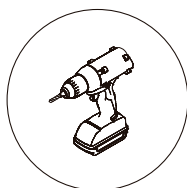


1. Screw the cam bolt [A] into the threaded insert on the panel.
2. Connect both panels together making sure cam bolt [A] goes into the pre-drilled large hole on the end of panel for cam lock [C].
3. Insert the cam lock [C] into the pre-drilled large hole on the panel. **Make sure the cross slot of cam lock [C] faces out.**
4. Rotate the cam lock [C] **clockwise** with a self-supplied philips screwdriver to lock the cam bolt [A] in place.

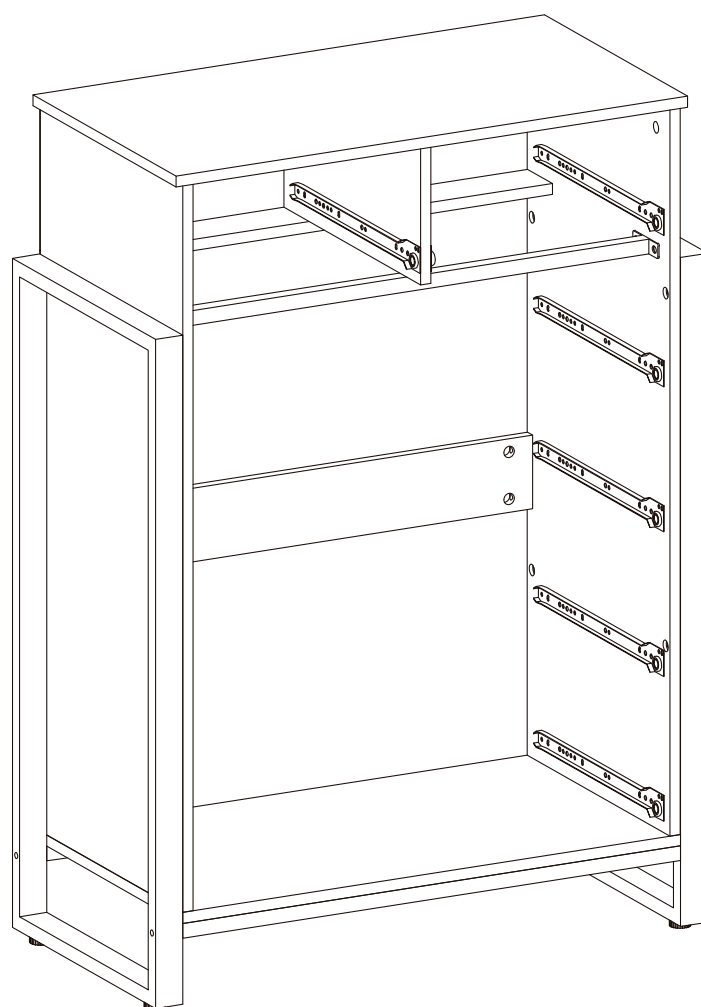


It is divided into 5 parts in total:

1. Install the Boards Slides(⑧ ⑨ ⑩ )
2. Install the Frame Part ( ③ ④ ⑤ ⑥ ⑦ )
3. Install the Metal Base Frame ① ② and Back Panel
4. Install the Drawers
5. Install the Drawers Slides



We recommend using a power drill to assemble.

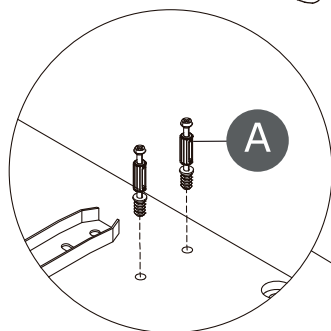
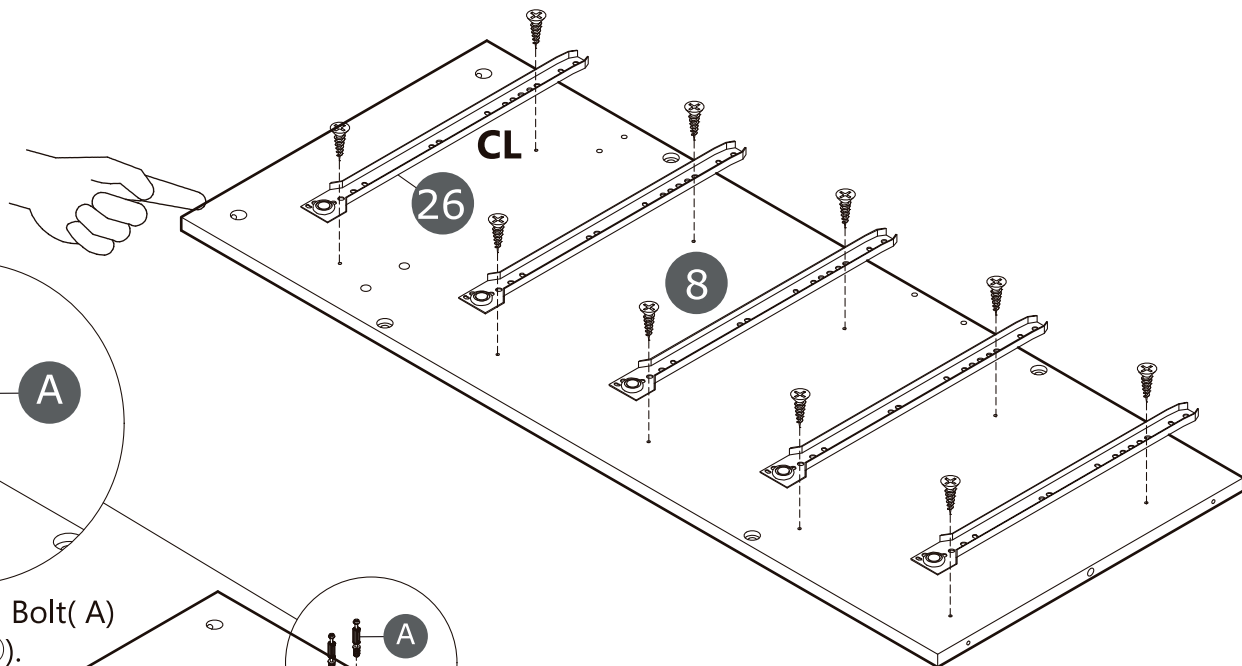
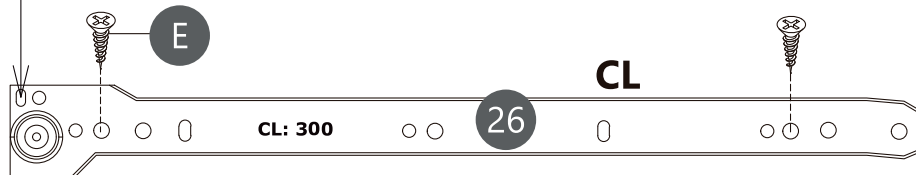


Here has 2 kind of the Drawers Slides (left slide & right slide)  
and 2 kind of matching Rails (left rail & right rail)

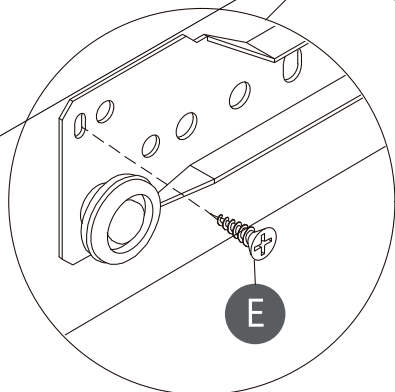
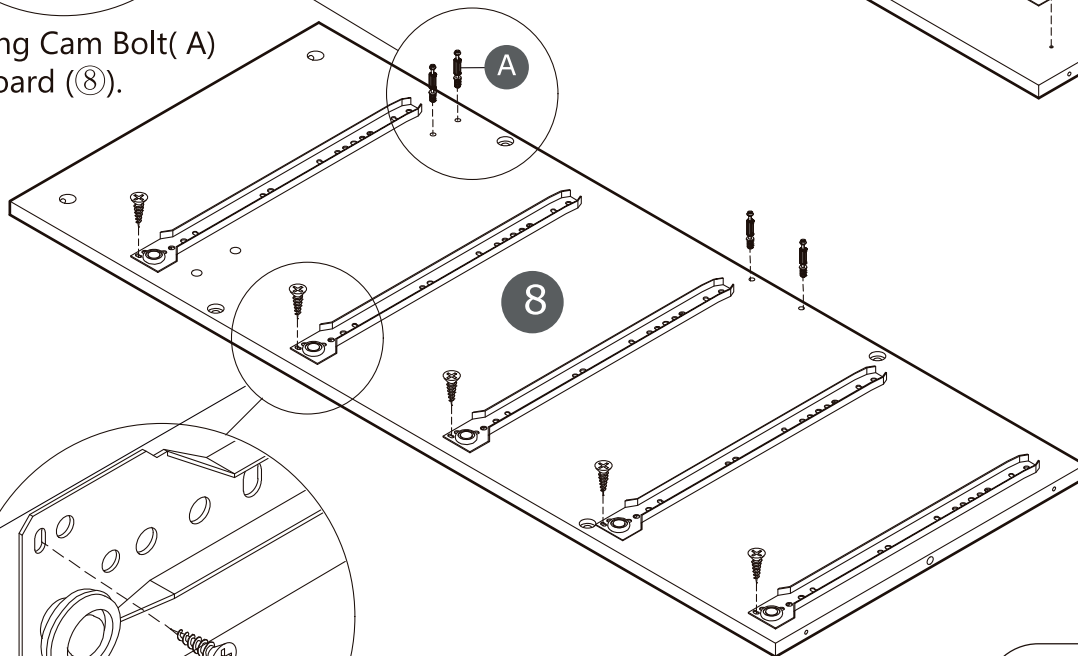
# Step 1




Using Screws (E) to assemble Slide (CL) to Board (8).

Screwing one more screw in this position for reinforcement.



Securing Cam Bolt (A) into Board (8).



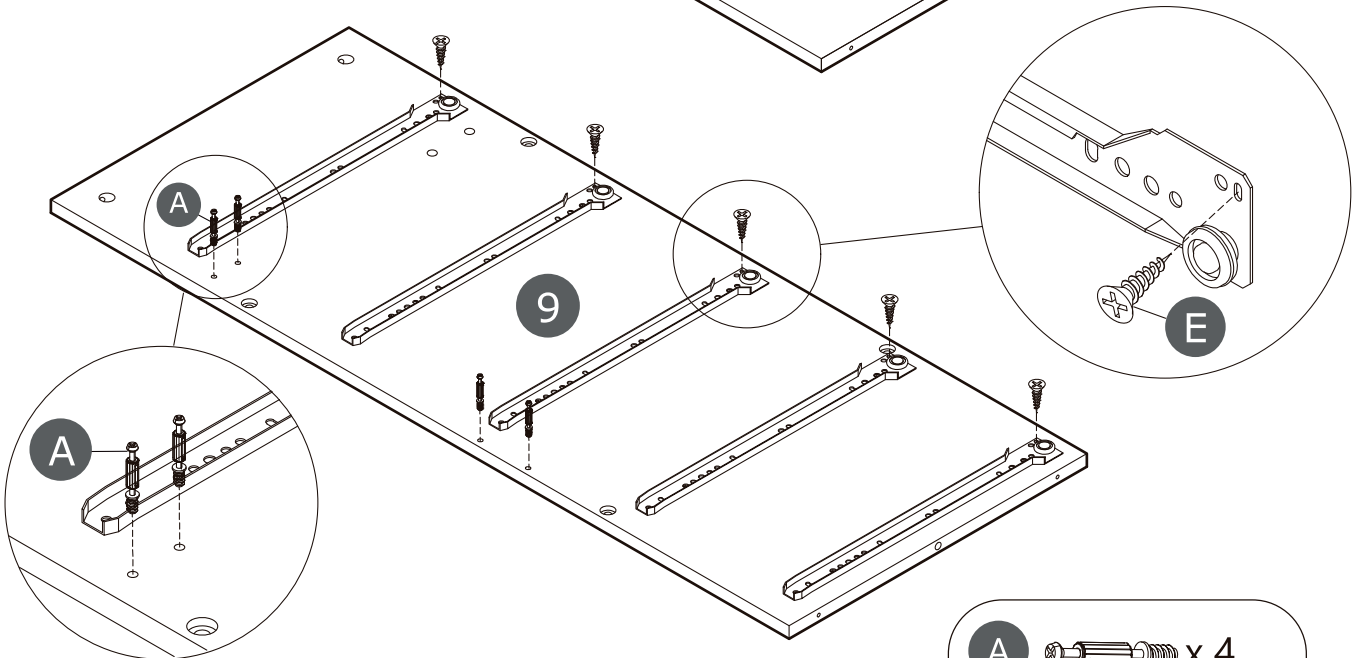
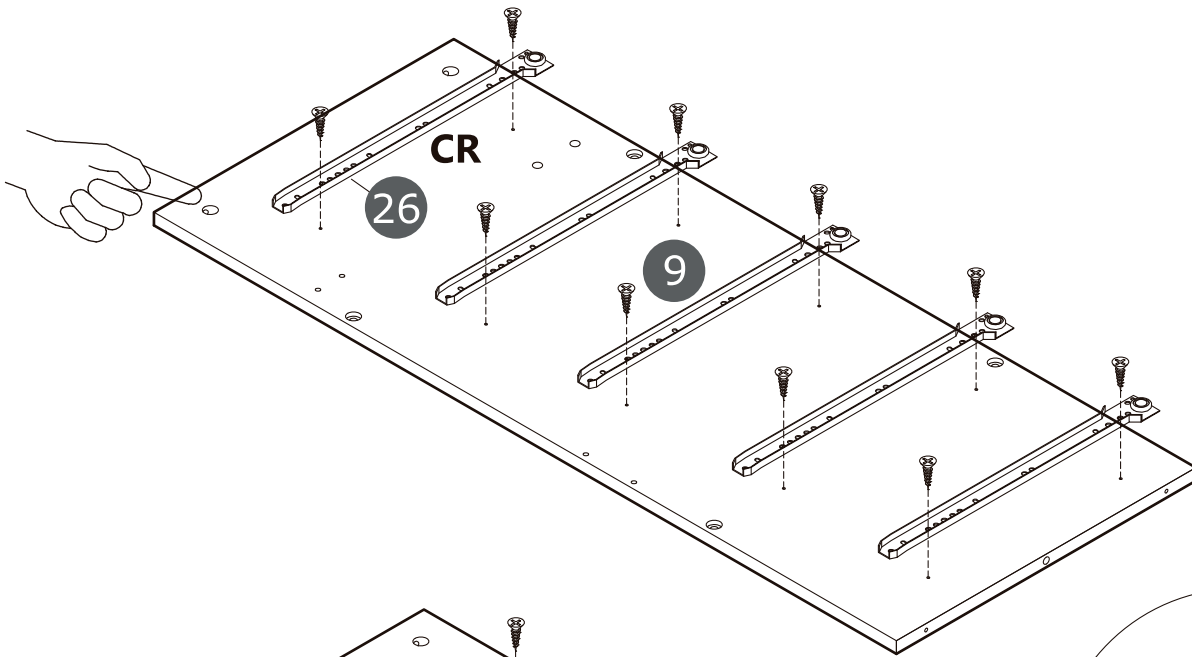
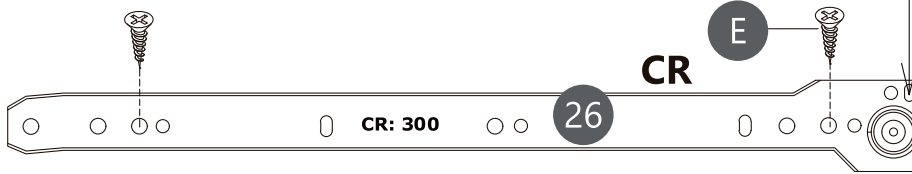
- A  x 4
- E  x 15
- 26  CL x 5

**TIP: The screws for the slide must be tightened very tightly, and don't tilt the screws, otherwise the drawers will get stuck and won't fit in.**

# Step 2

Using Screws (E) to assemble Slide (CR) to Board (9).

Screwing one more screw in this position for reinforcement.



Securing Cam Bolt (A) into Board (9).

**TIP: The screws for the slide must be tightened very tightly, and don't tilt the screws, otherwise the drawers will get stuck and won't fit in.**

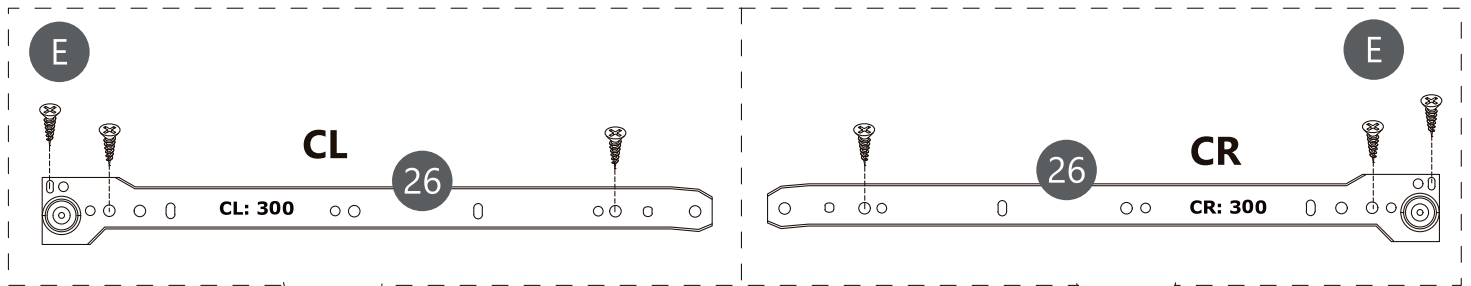
A  x 4

E  x 15

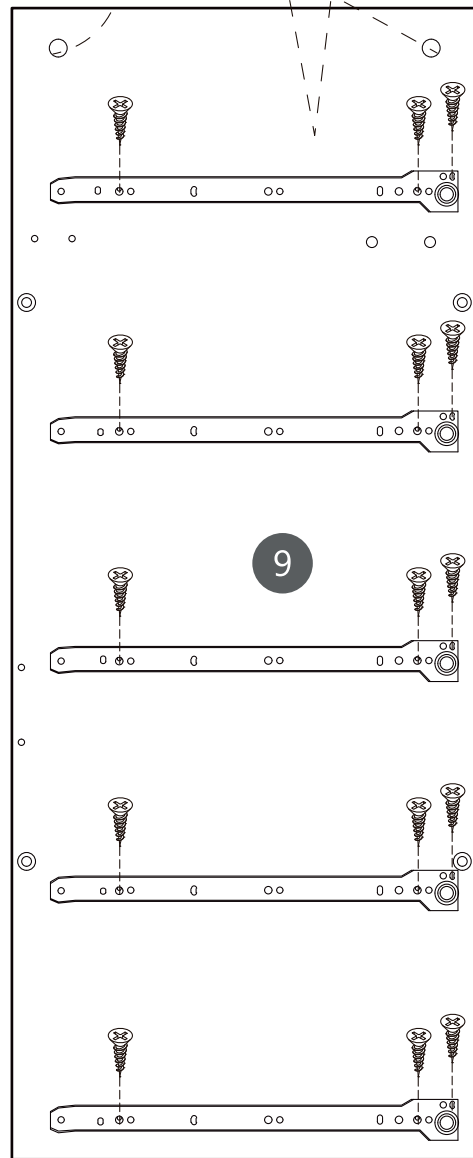
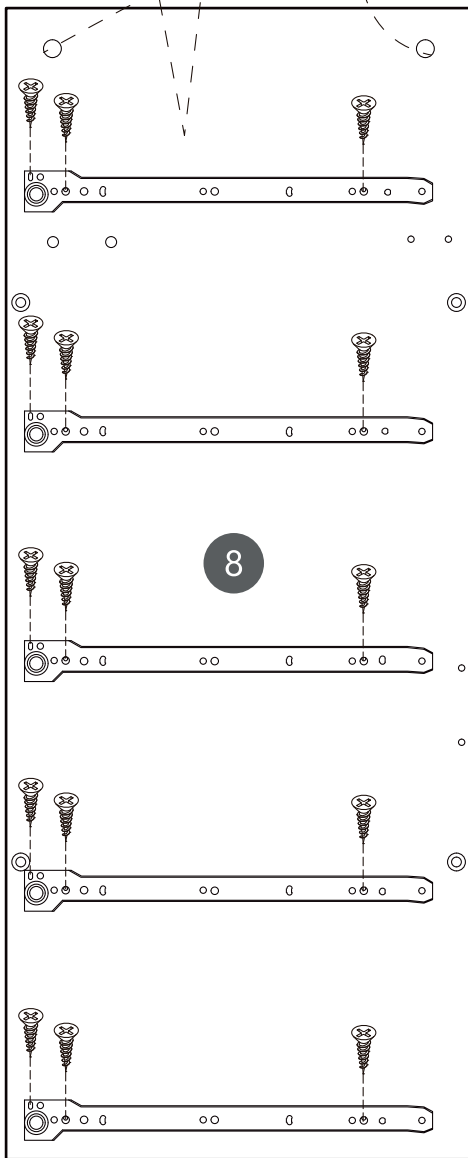
26  CR x 5

# Display. Non-installation steps

Reference to the completion of the installation:  
checking the position of the slides and screws in the board.



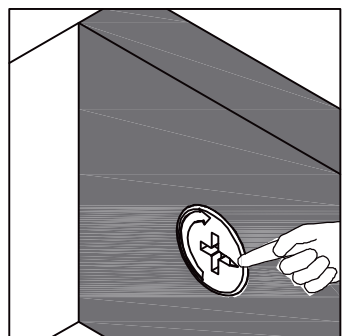
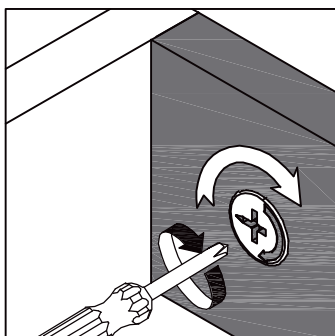
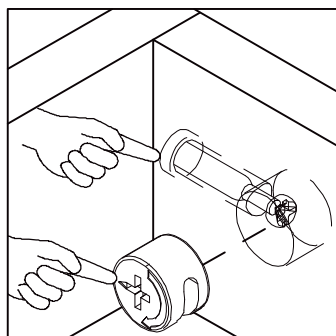
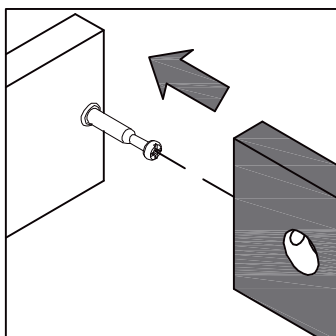
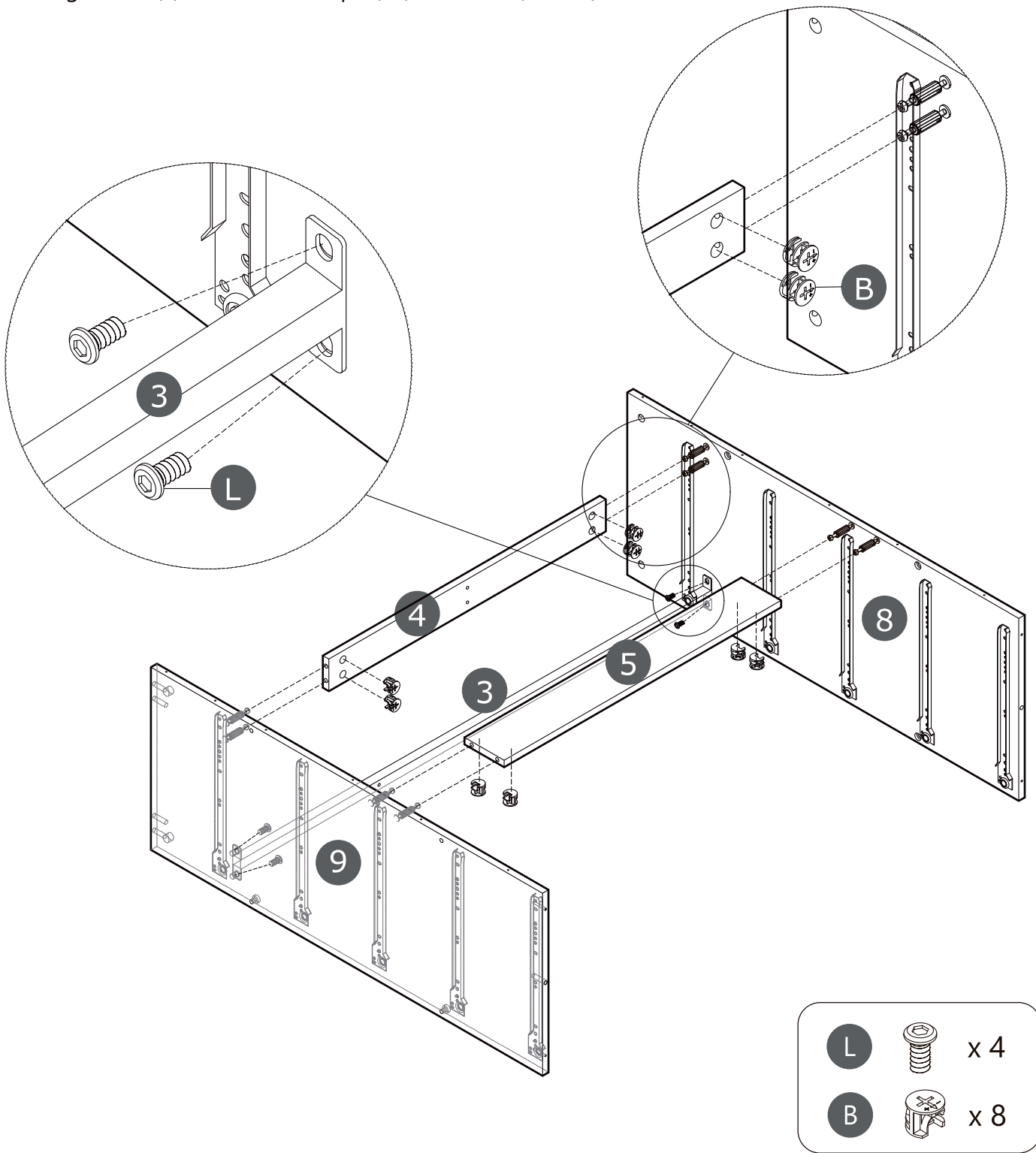
Please make sure the pre-drilled holes are on the top.



**TIP: The screws for the slide must be tightened very tightly, and don't tilt the screws, otherwise the drawers will get stuck and won't fit in.**

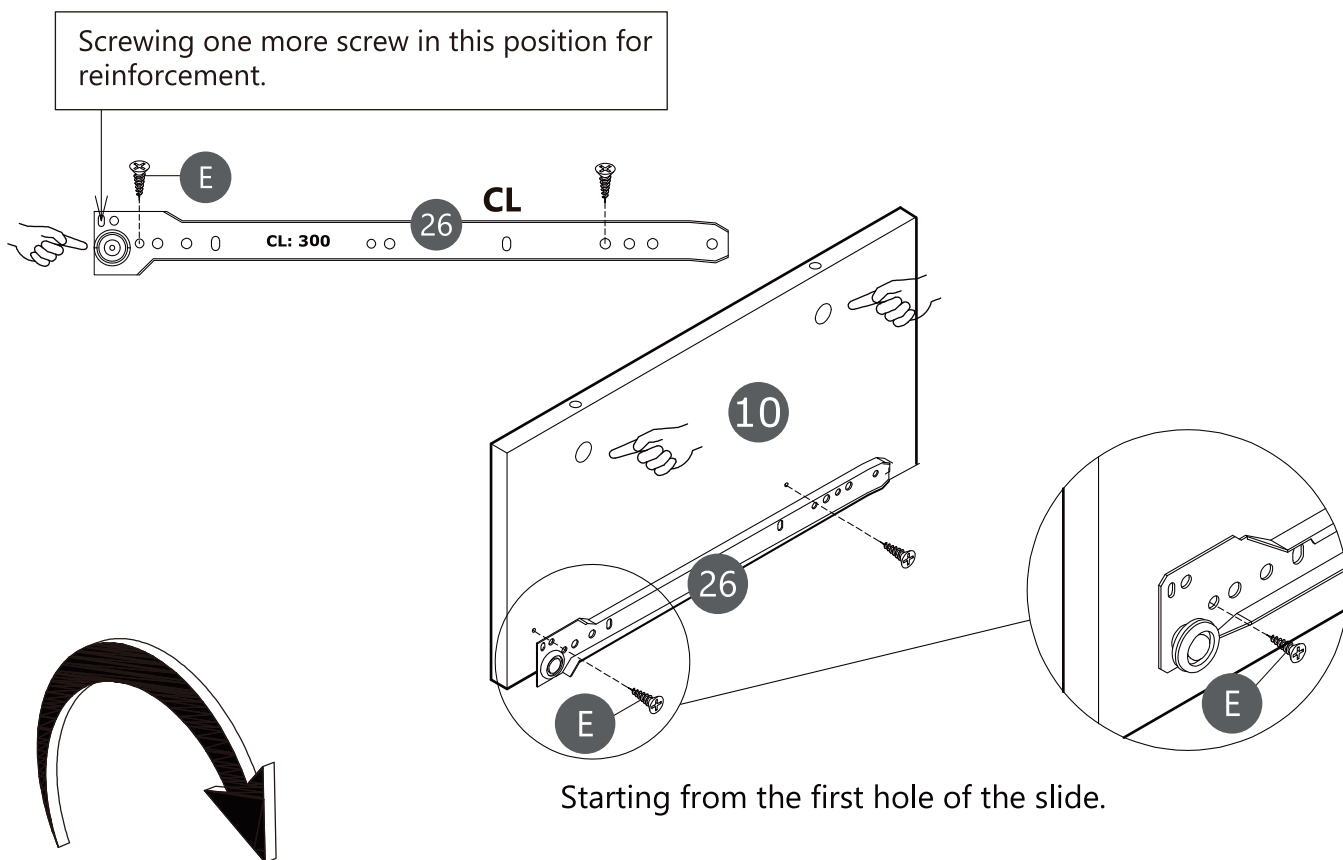
# Step 3

Using Cam Lock (B) secure Board (④&⑤) to Board (⑧&⑨).  
Using Screw (L) secure Steel Pipe (③) to Board (⑧&⑨).

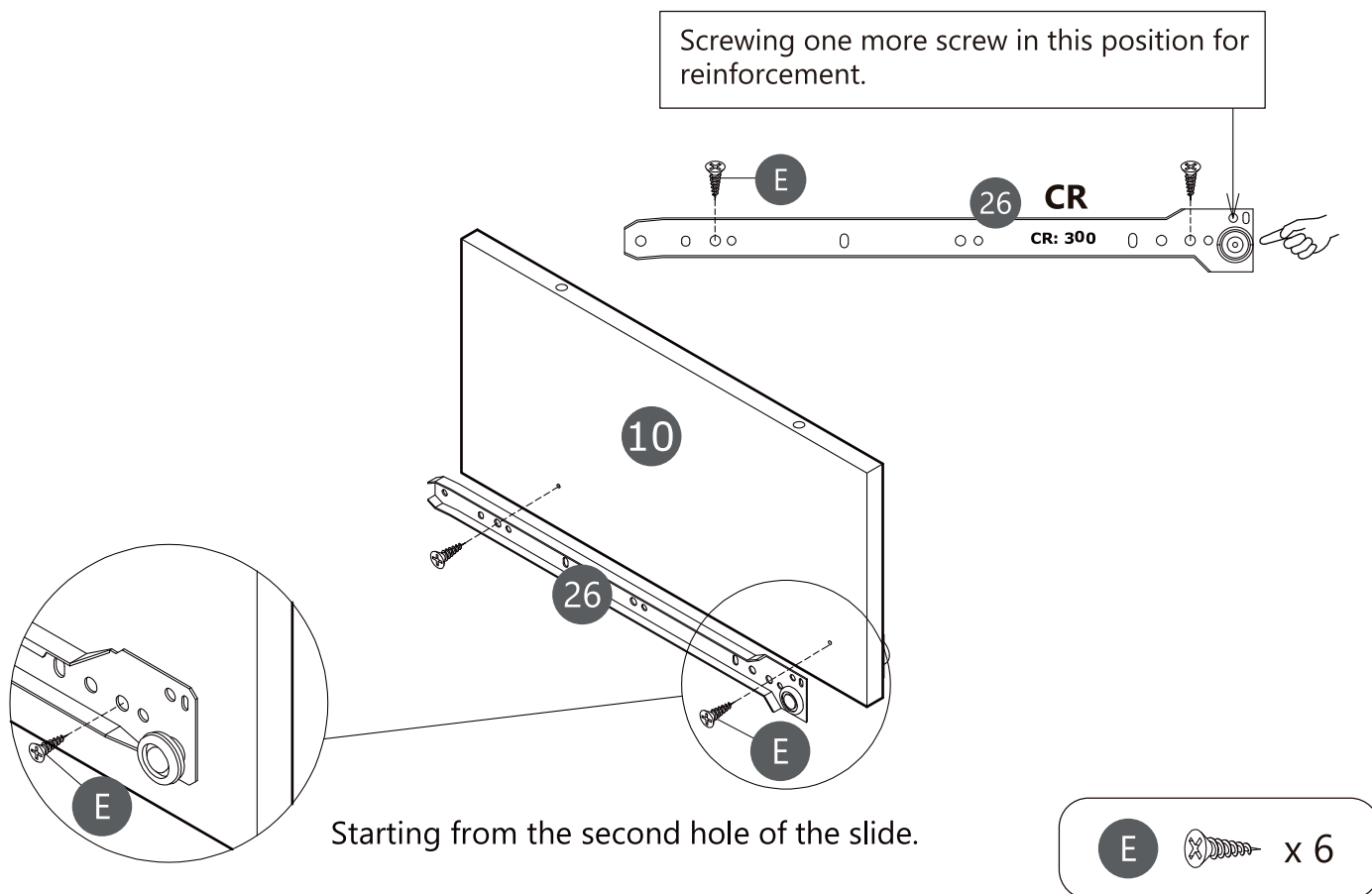


# Step 4

Using Screw (E) to assemble Slide (CL) to Board (10).

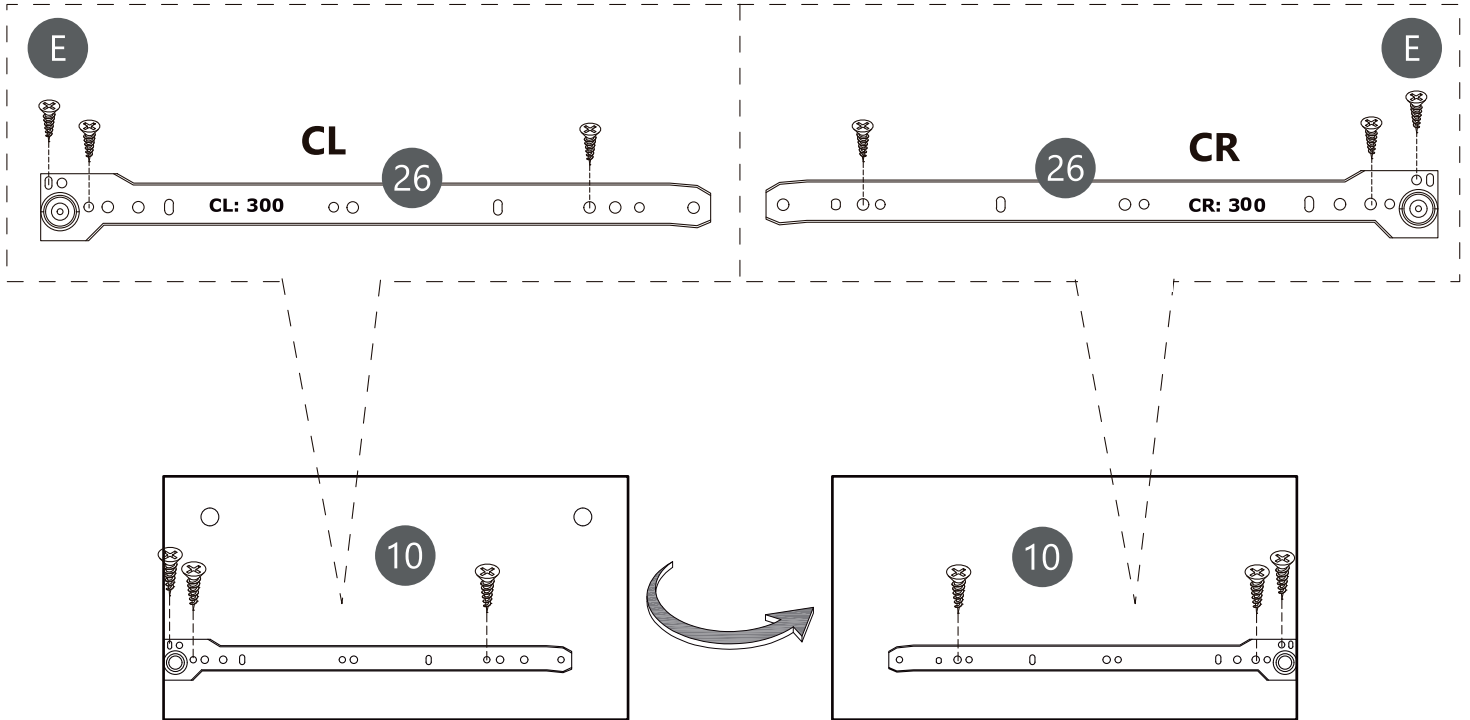


Using Screw (E) to assemble Slide (CR) to Board (10).



# Display. Non-installation steps

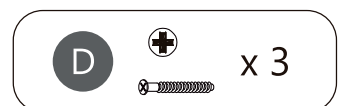
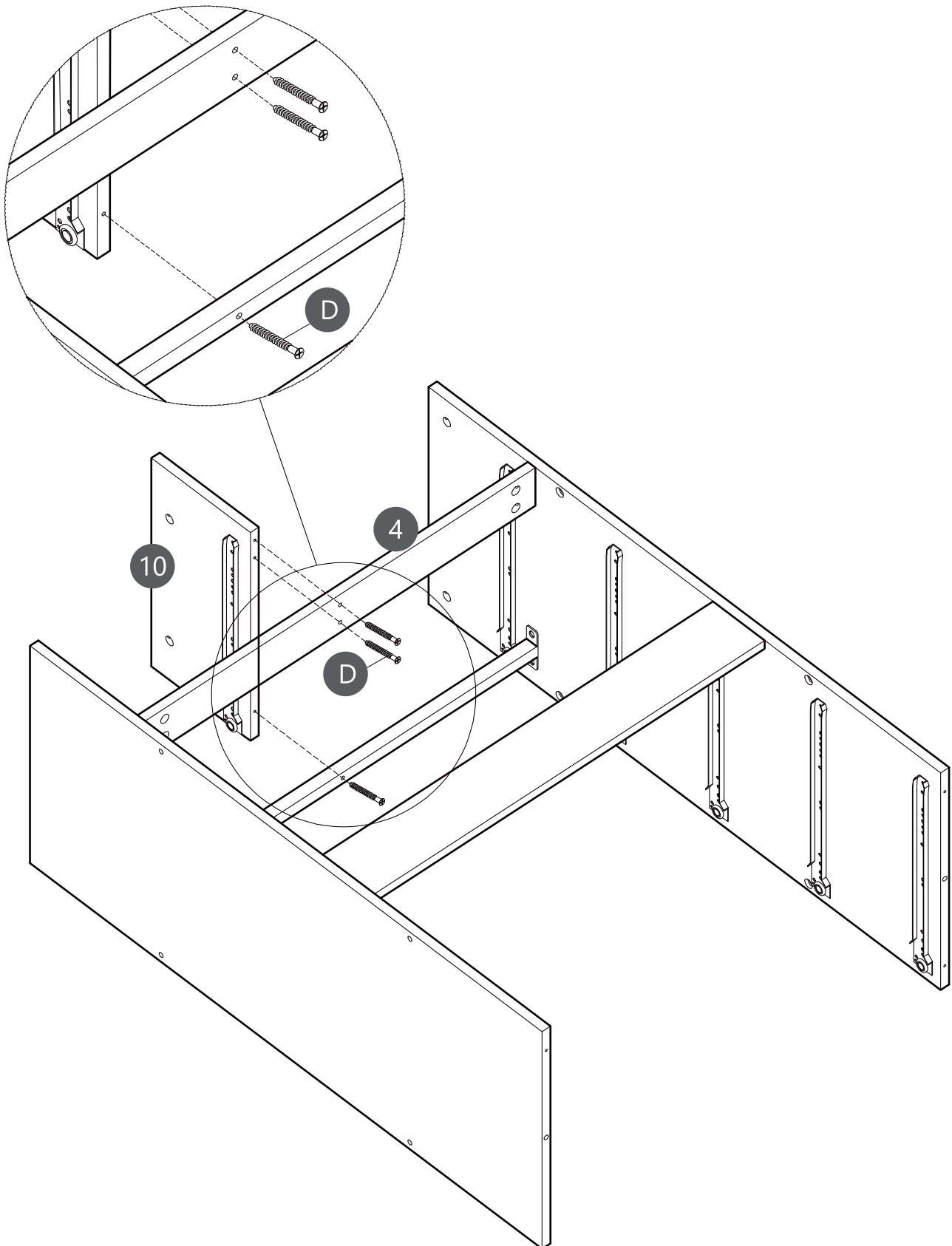
Reference to the completion of the installation:  
checking the position of the slides and screws in the board.



**TIP: The screws for the slide must be tightened very tightly, and don't tilt the screws, otherwise the drawers will get stuck and won't fit in.**

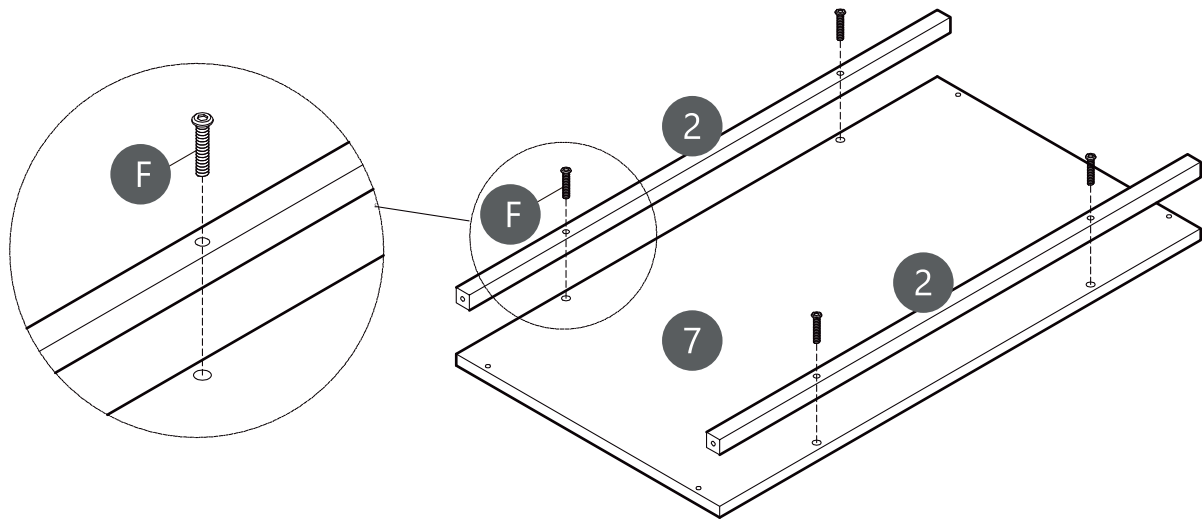
# Step 5

Using Screw (D) to assemble Board (10) to Board (4) and Steel Pipe (3).



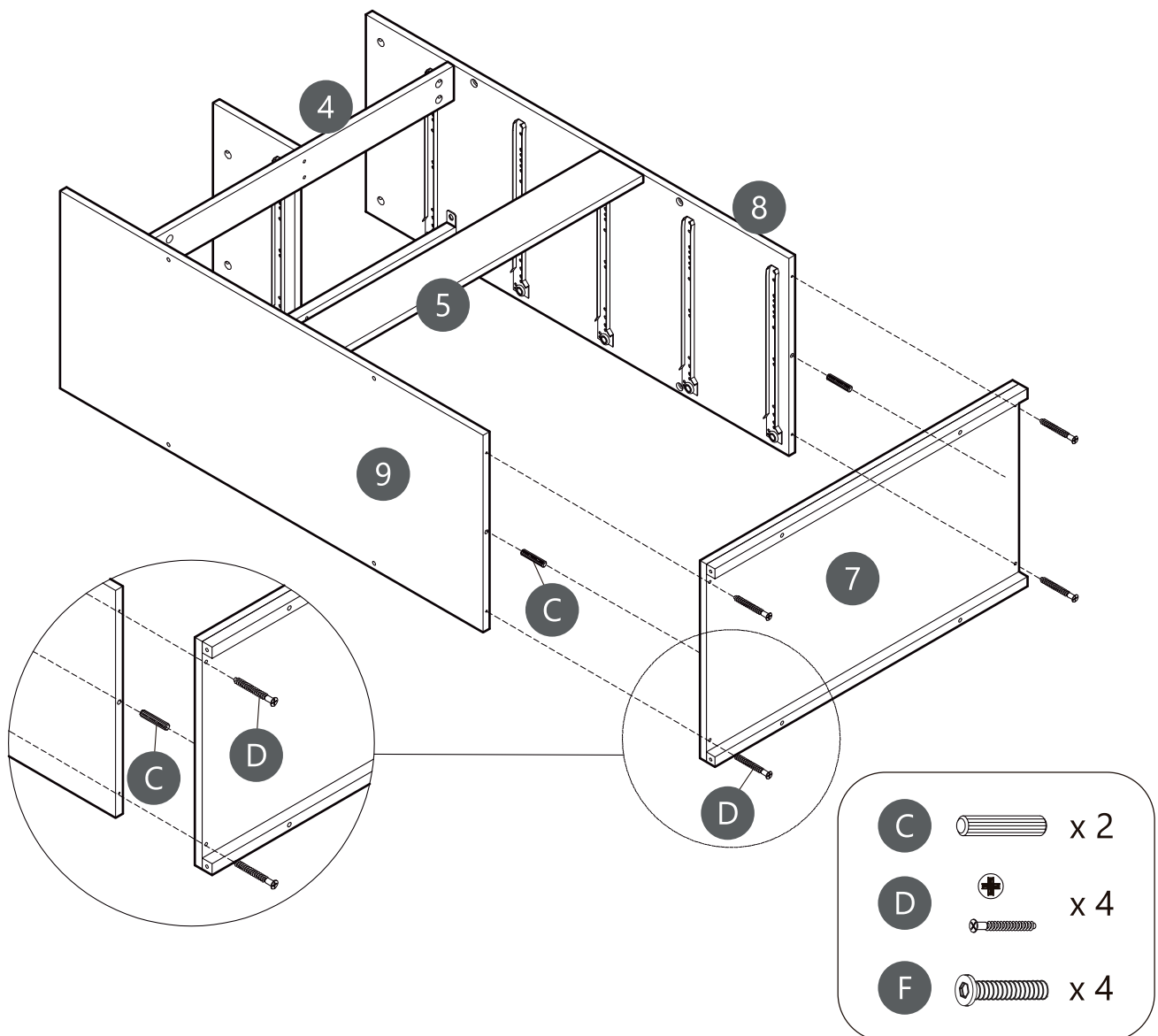
# Step 6

Using Screw (F) to assemble Steel Pipe (2) to Board (7).



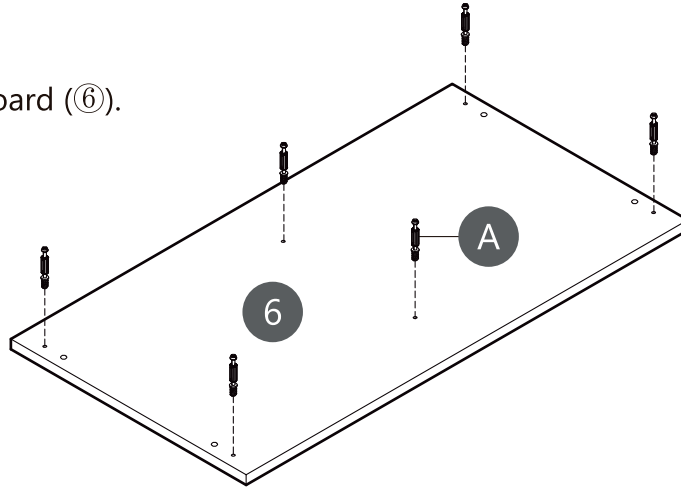
Inserting Wooden Dowel (C) into Board (8&9), then attach Board (7) to Board (8&9).

Using Screws (D) to assemble Board (7) to Board (8&9).



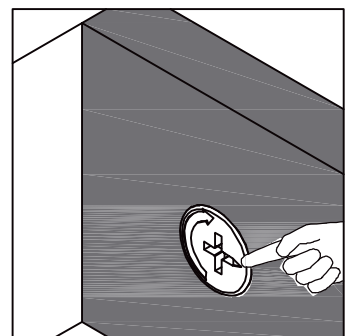
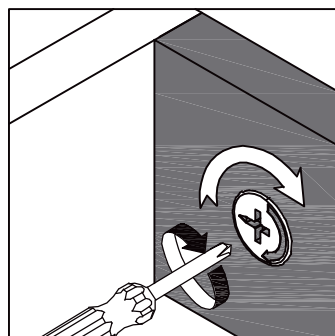
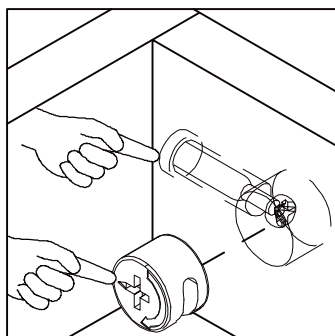
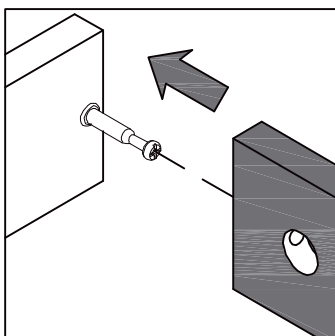
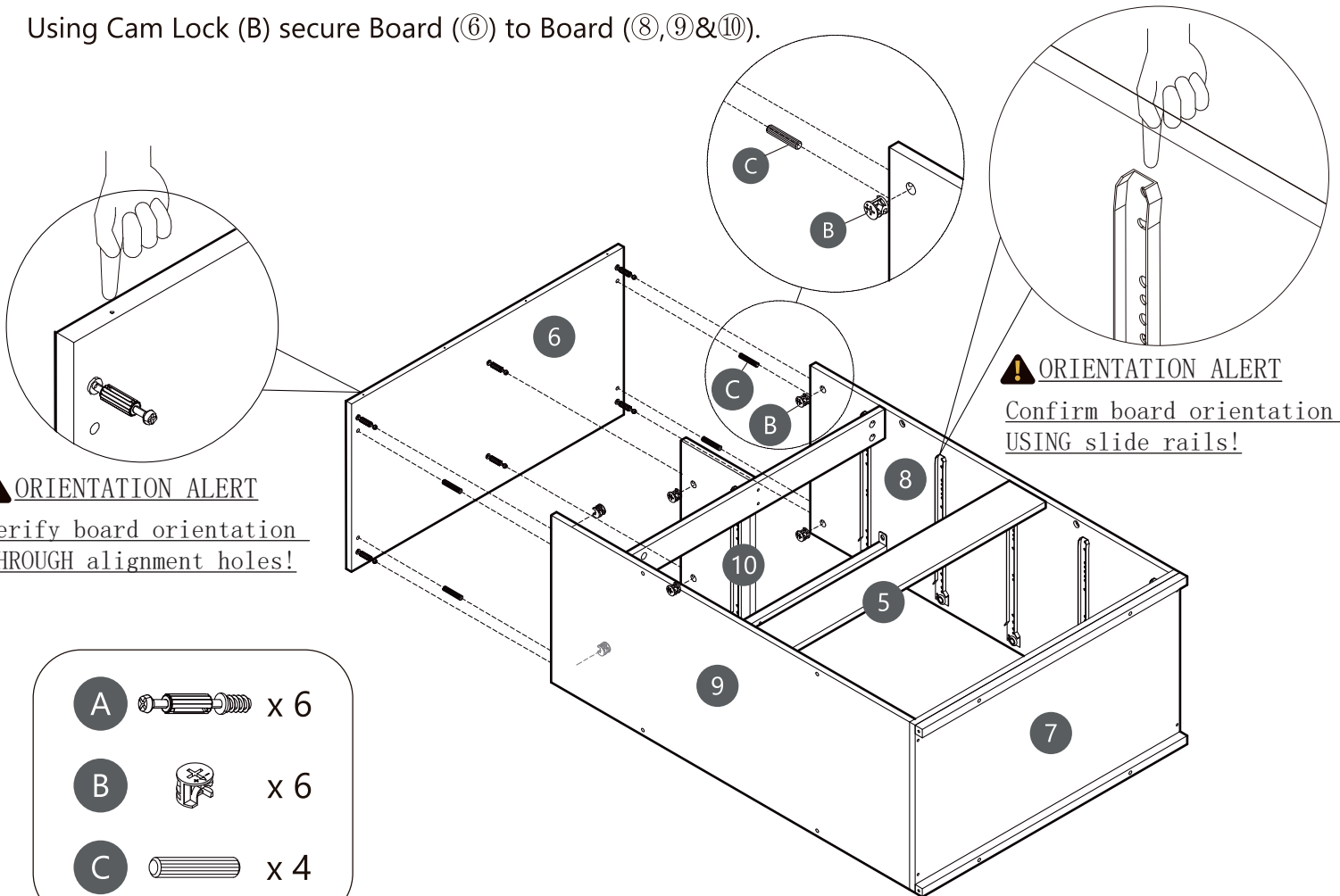
# Step 7

Securing Cam Bolt(A) into Board (6).



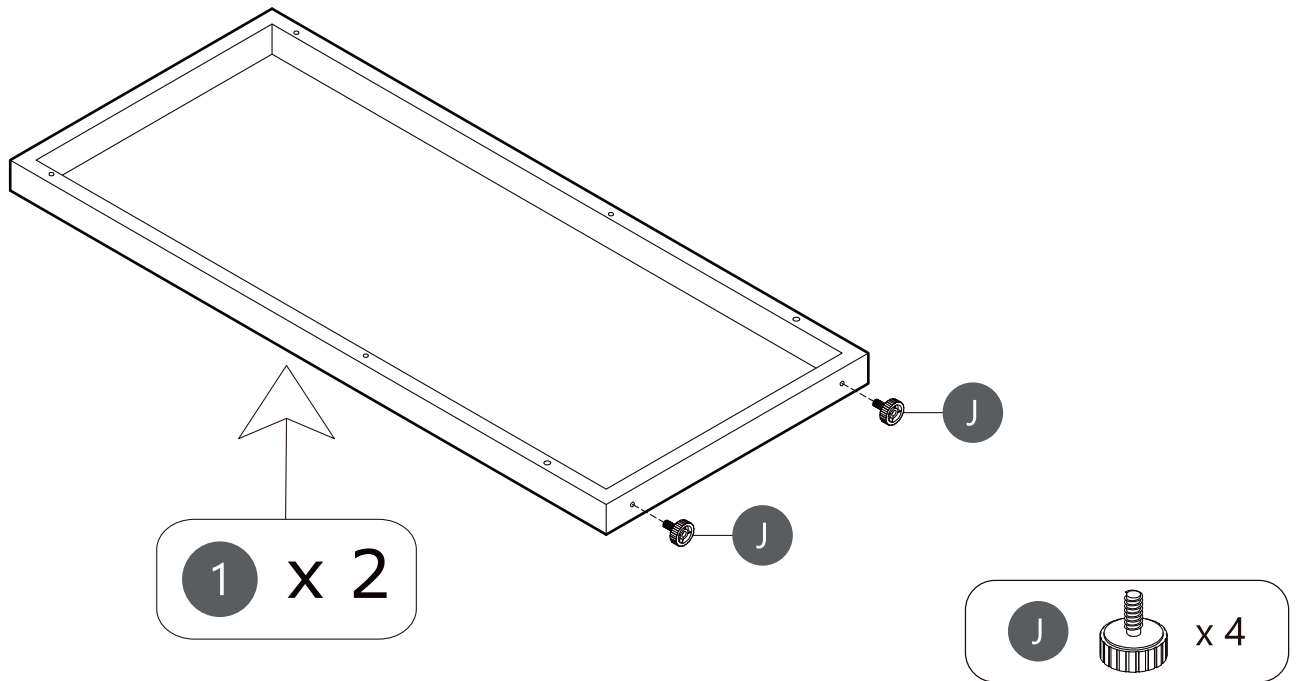
Inserting Wooden Dowel (C) into Board (8)(9)&(10), then attach Board (6) to Board (8,9&10).

Using Cam Lock (B) secure Board (6) to Board (8,9&10).



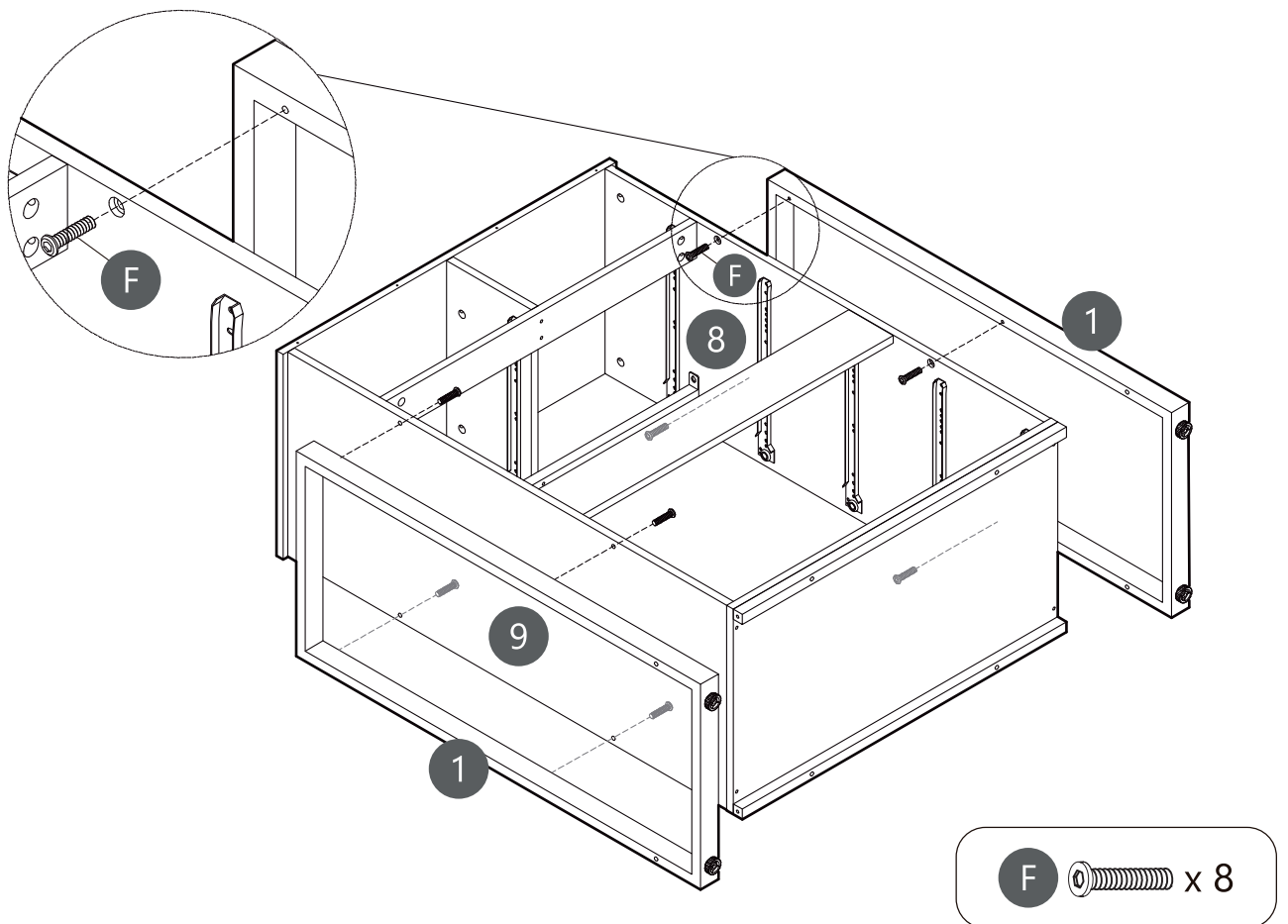
# Step 8

Inserting the feet (J) into the Steel Pipe (①).



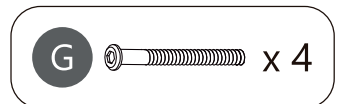
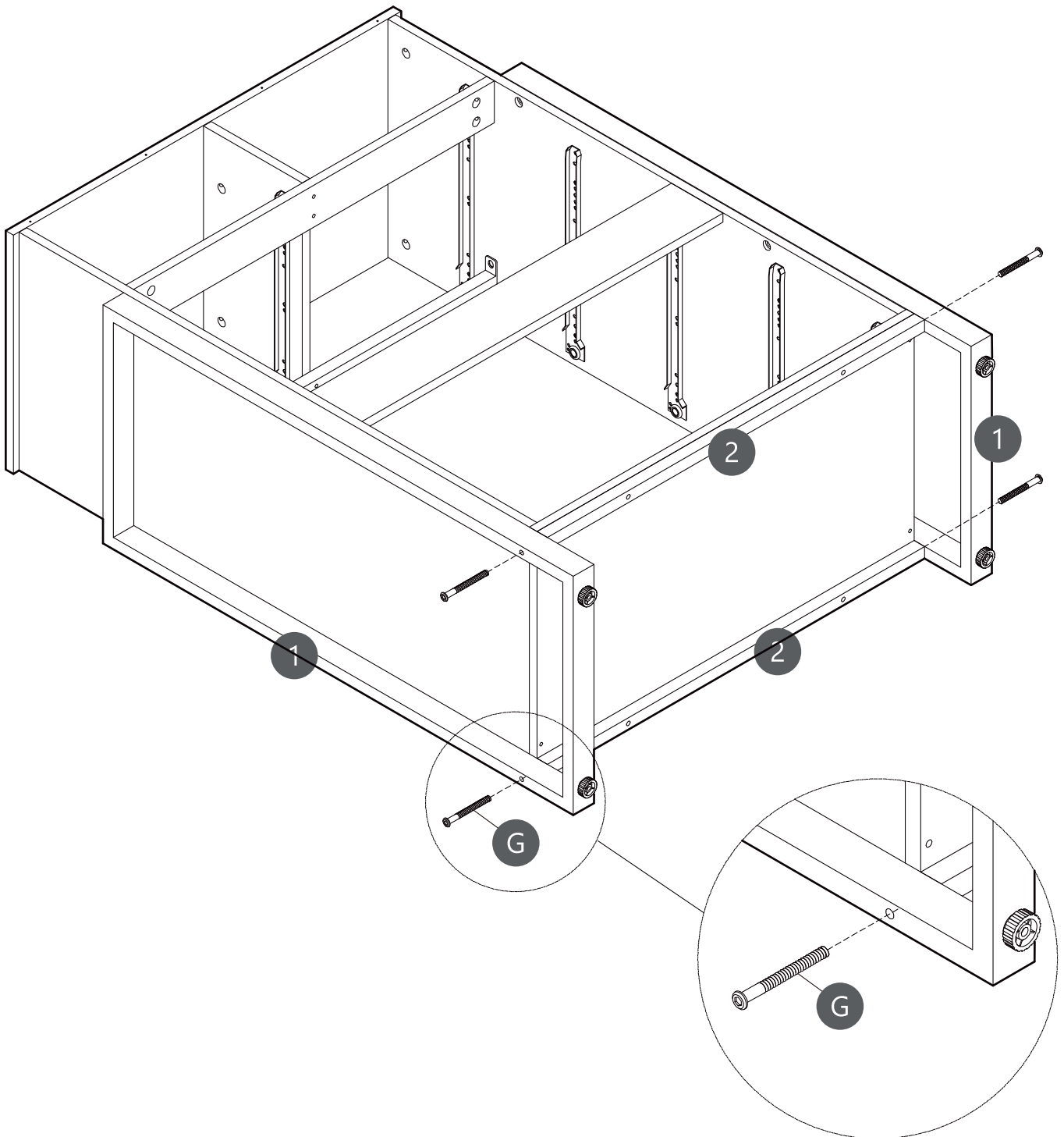
# Step 9

Using Screws (F) to assemble Steel Pipe (①) to Board (⑧&⑨)



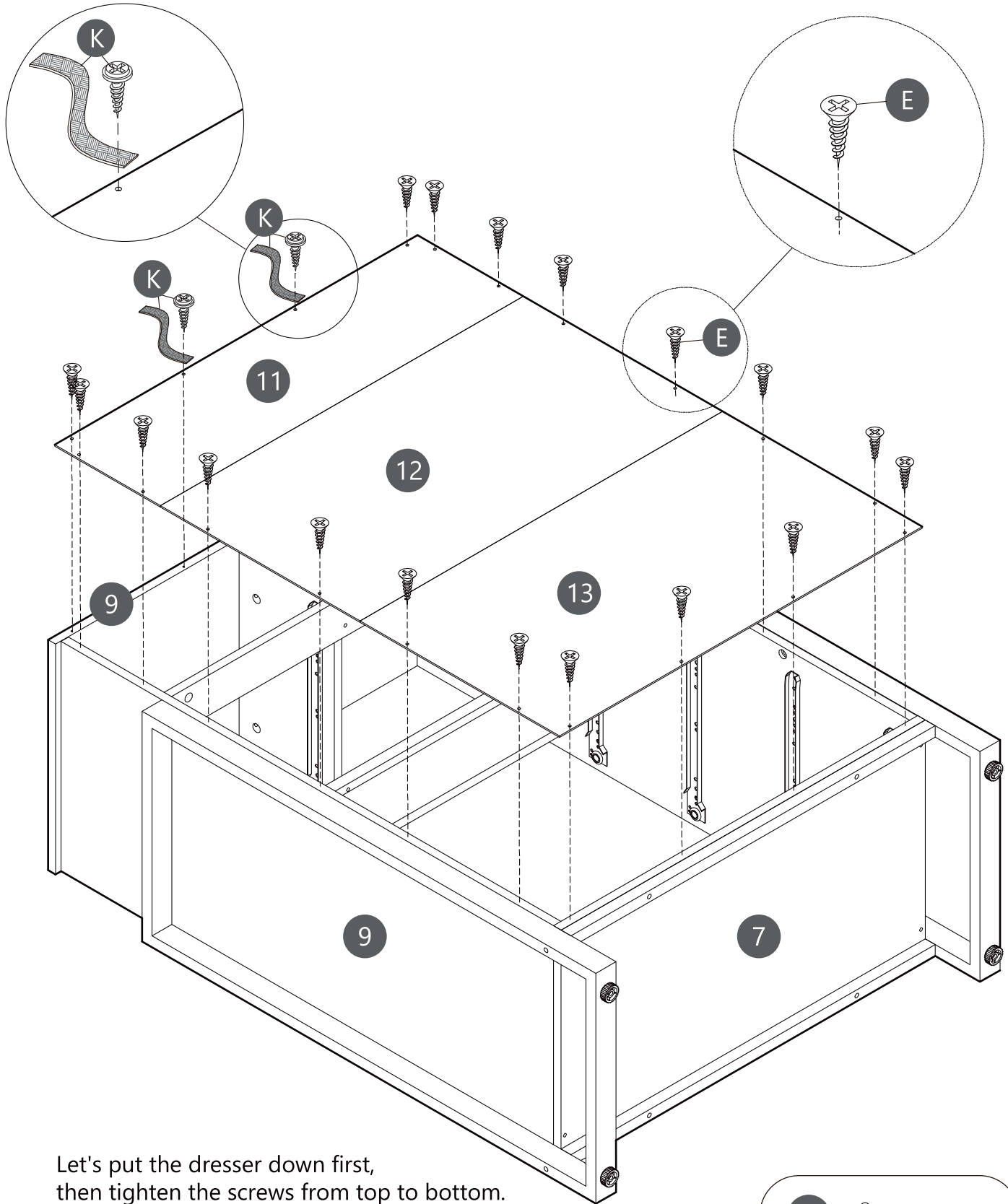
# Step 10

Using Screws (G) to assemble Steel Pipe (1) to Steel Pipe (2).

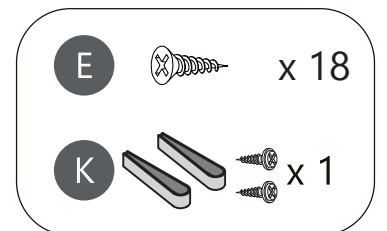


# Step 11

Using Screws (E) through Anti-tipping Belt (K) to assemble Back Panels (11&12&13) to the main body.

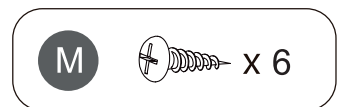
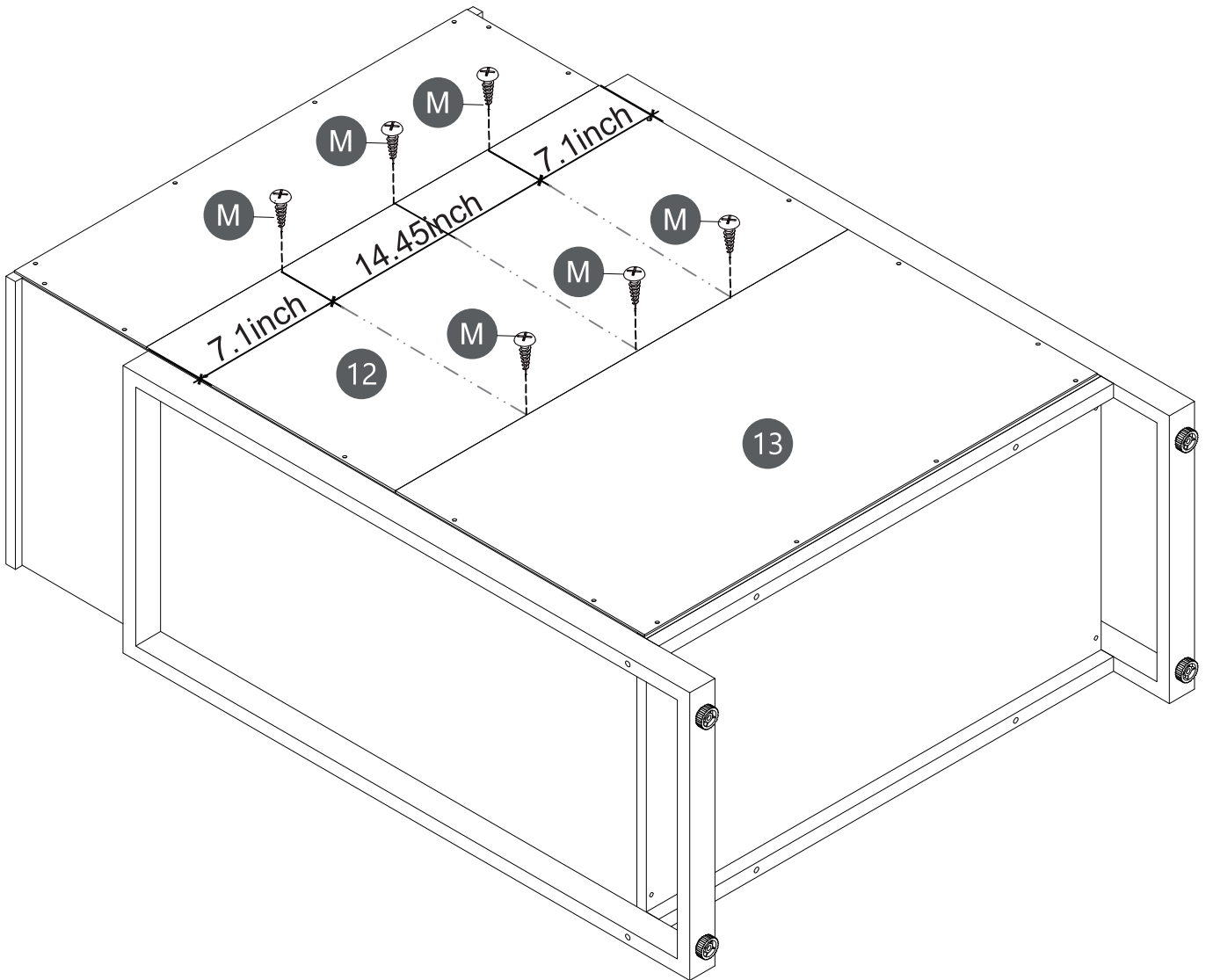


Let's put the dresser down first,  
then tighten the screws from top to bottom.



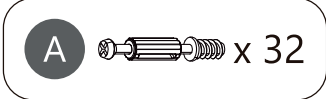
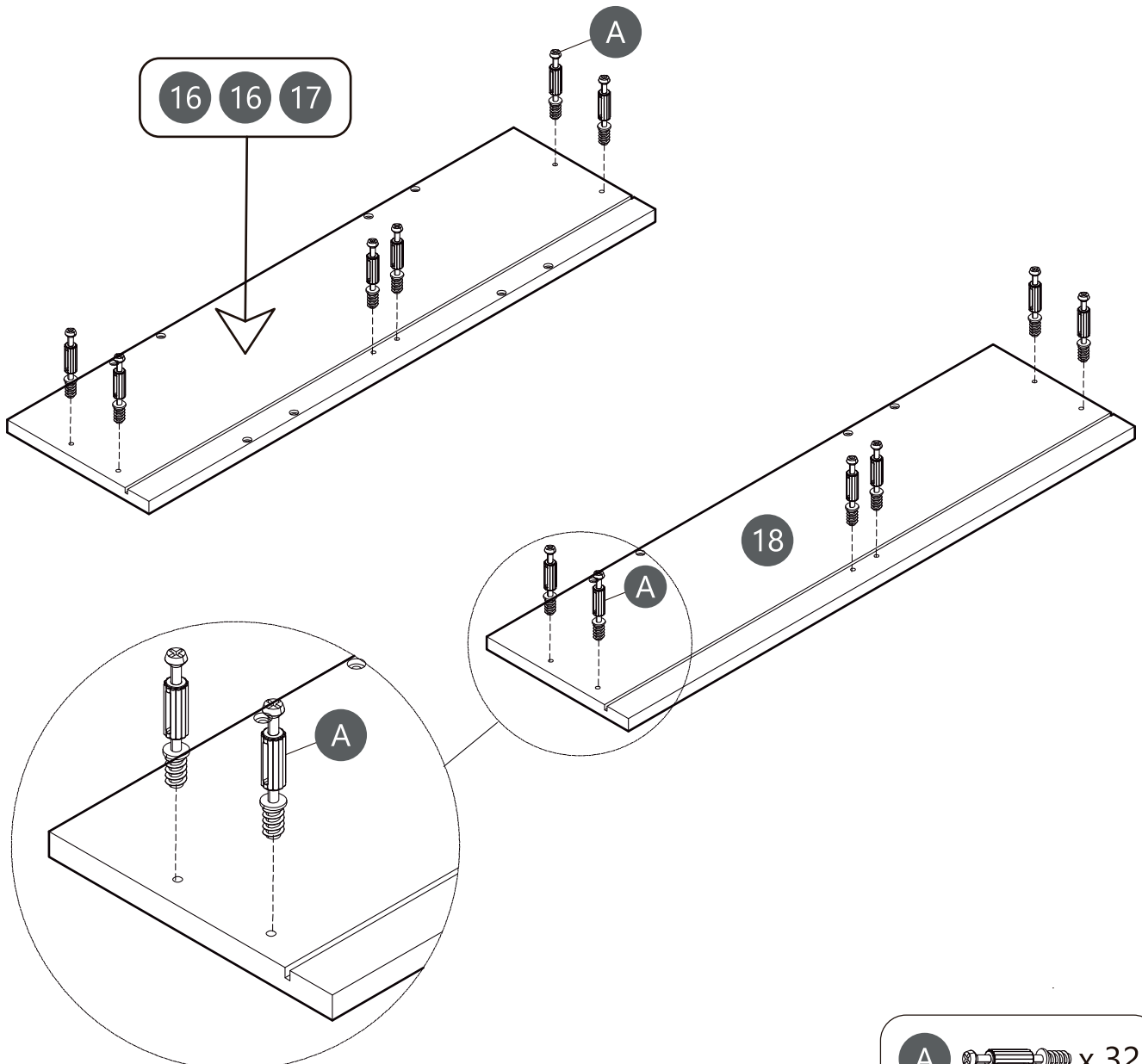
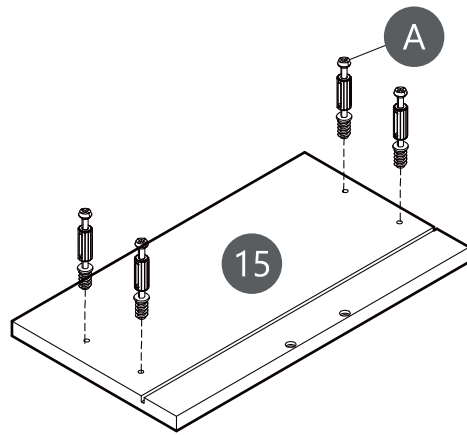
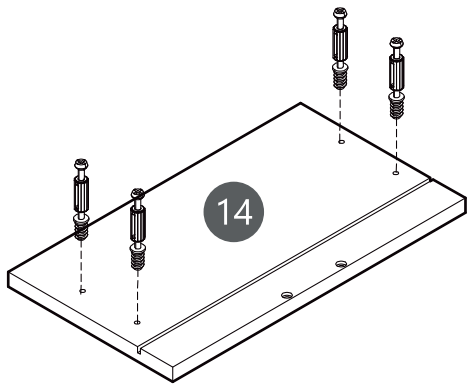
# Step 12

Using Screws (E) to assemble Back Panels (11&12&13) to the main body.



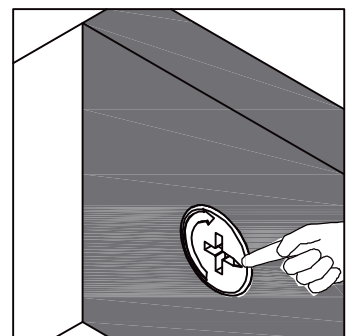
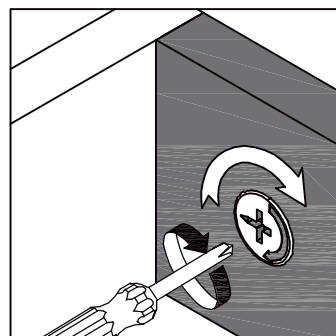
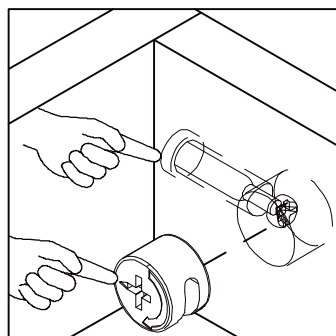
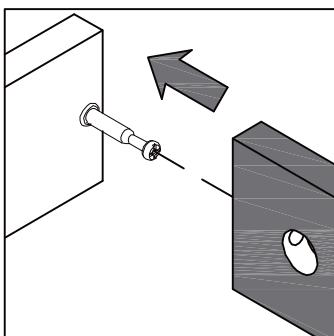
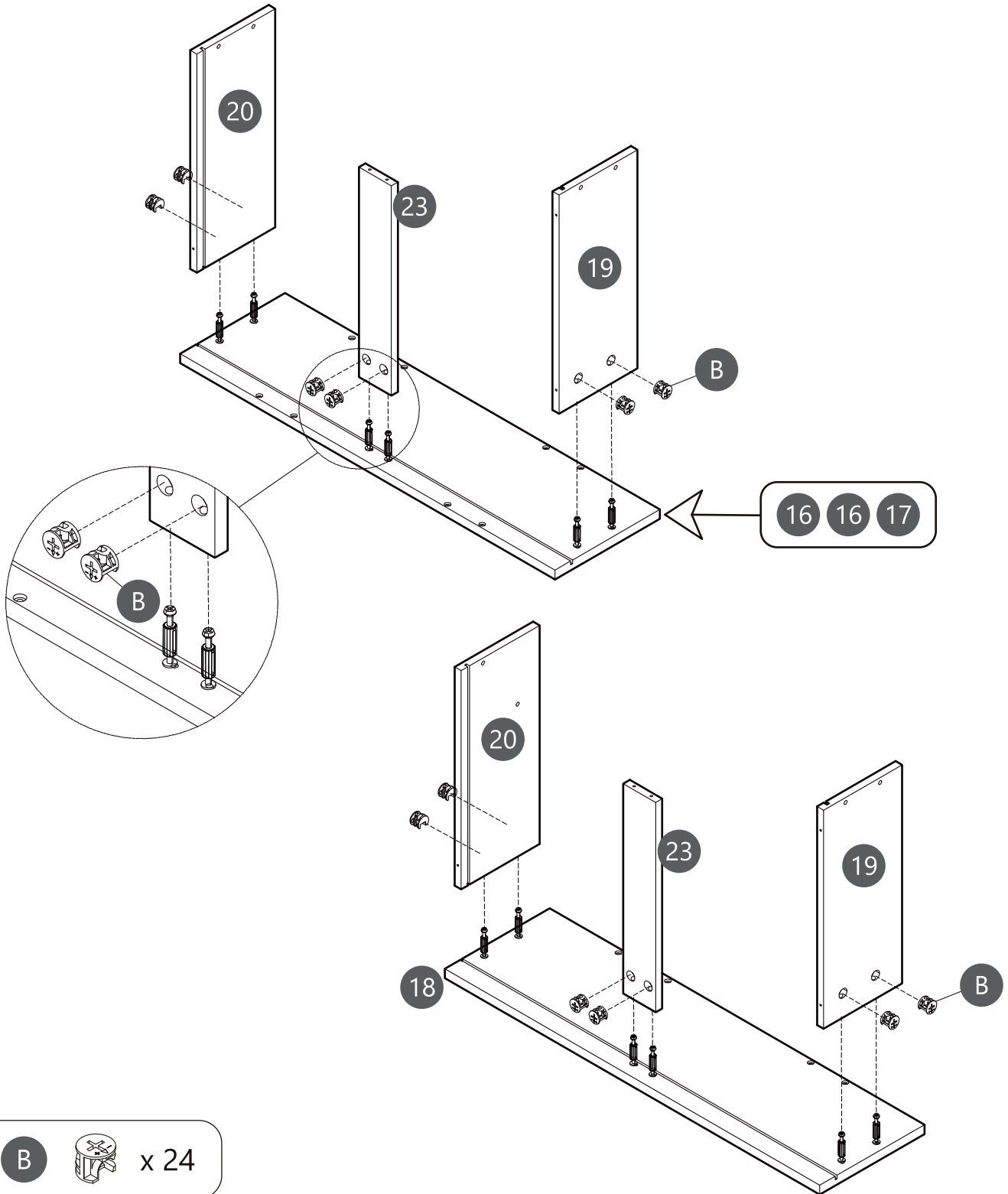
# Step 13

Securing Cam Bolt (A) into Board (14&15&16&17&18).



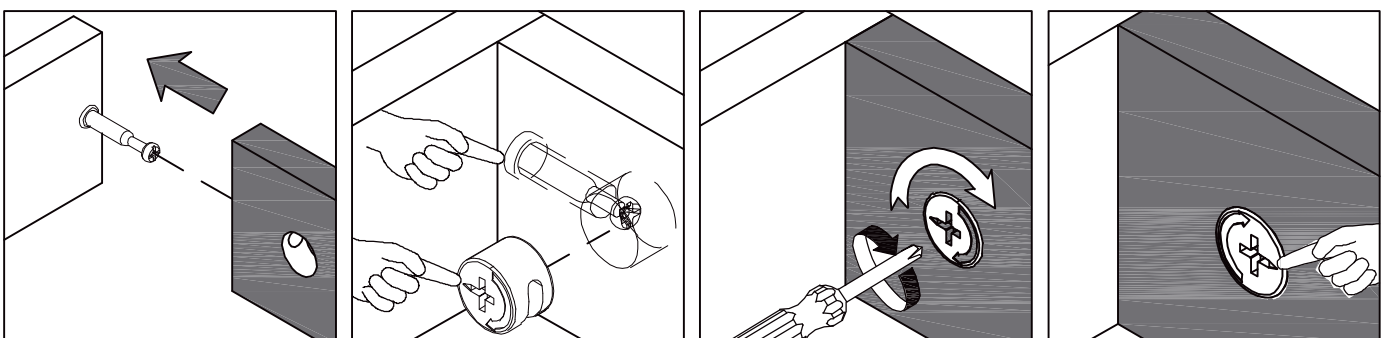
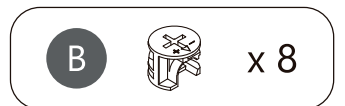
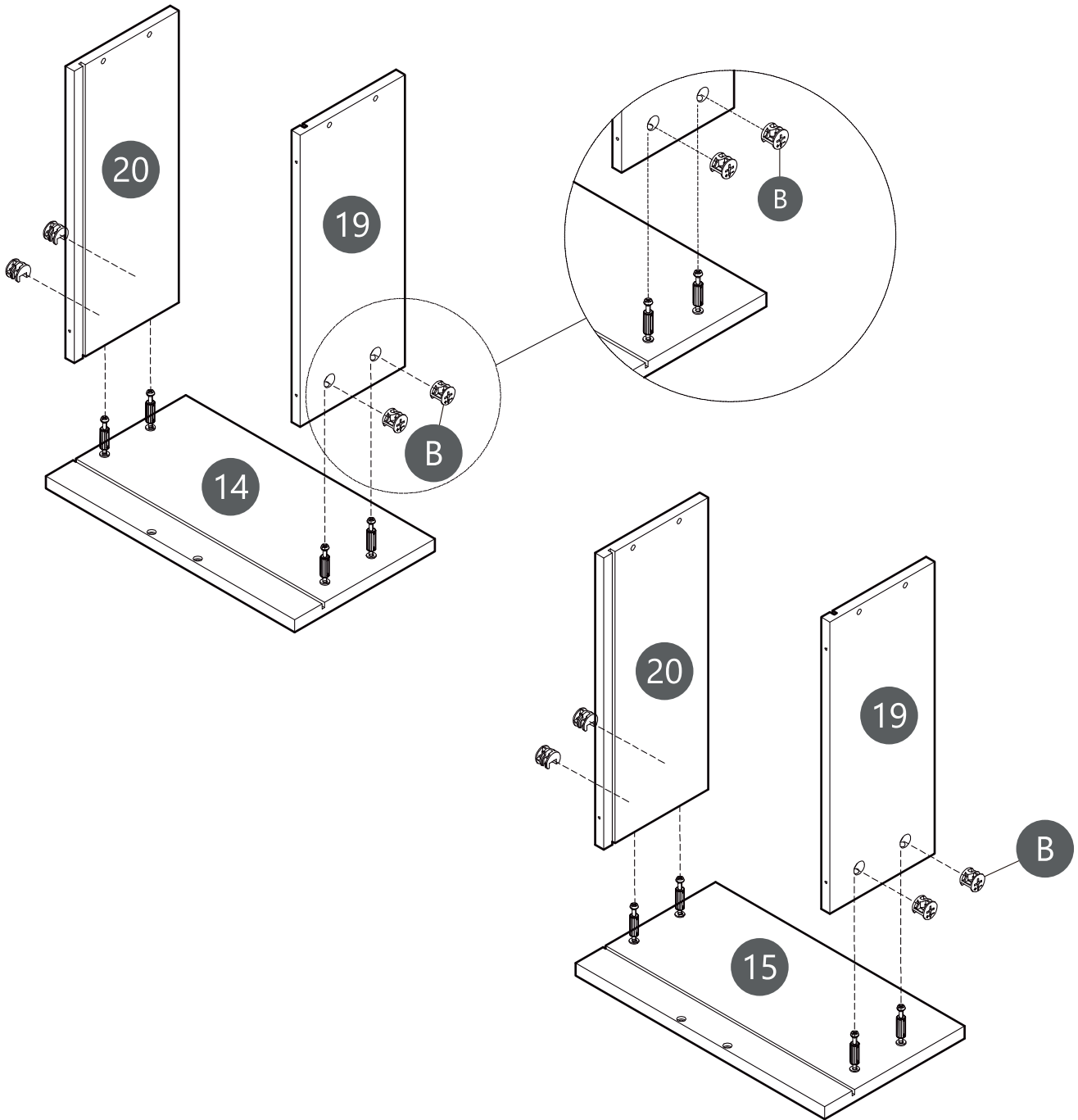
# Step 14

Using Cam Lock (B) secure Board (19&20&23) to Board (16&17&18).



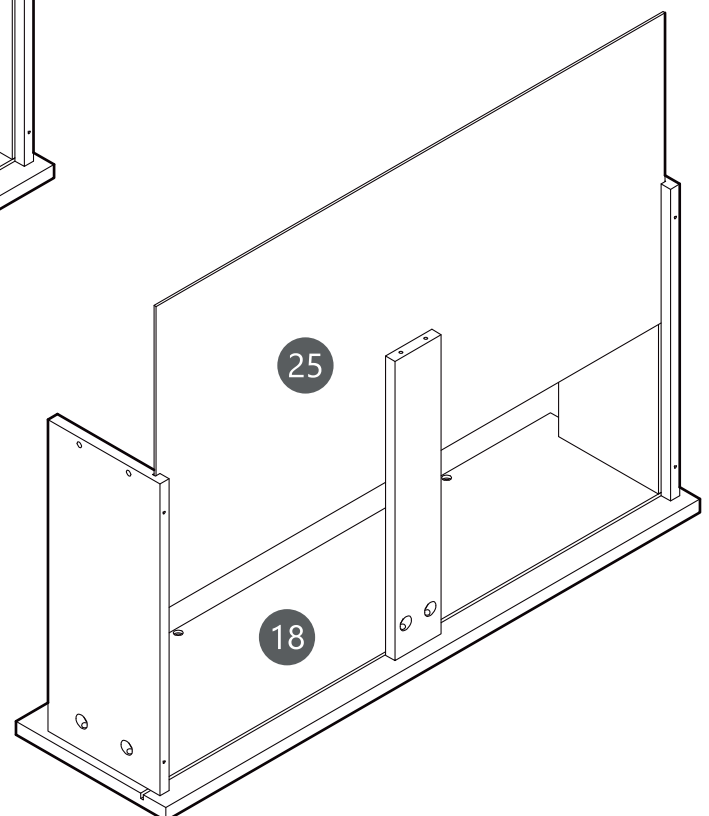
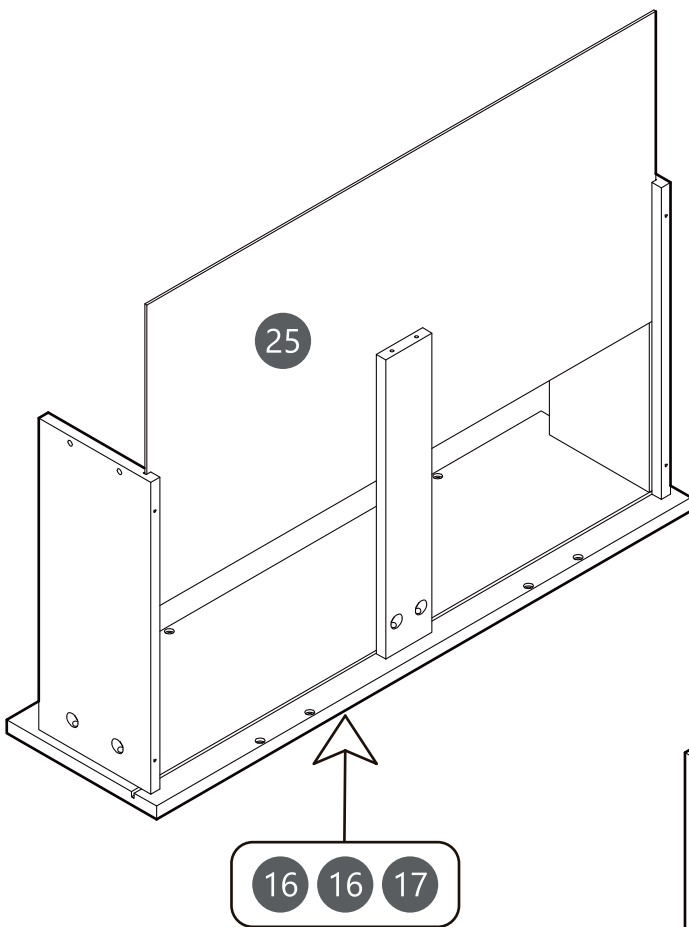
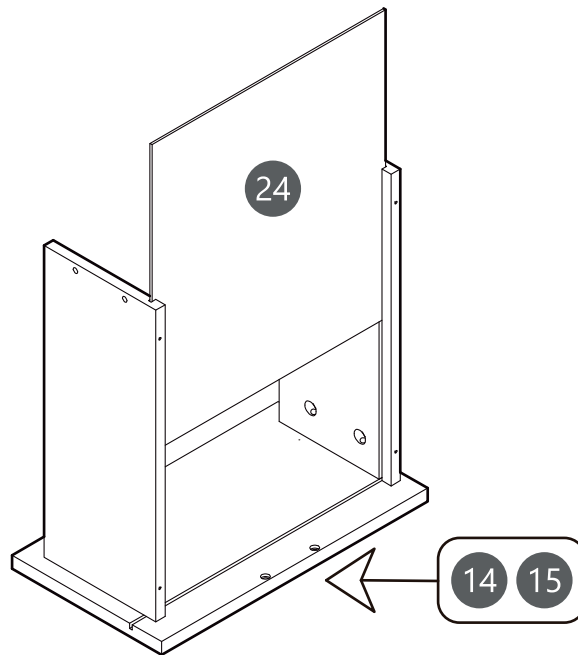
# Step 15

Using Cam Lock (B) secure Board (19&20) to Board (14&15).



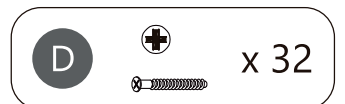
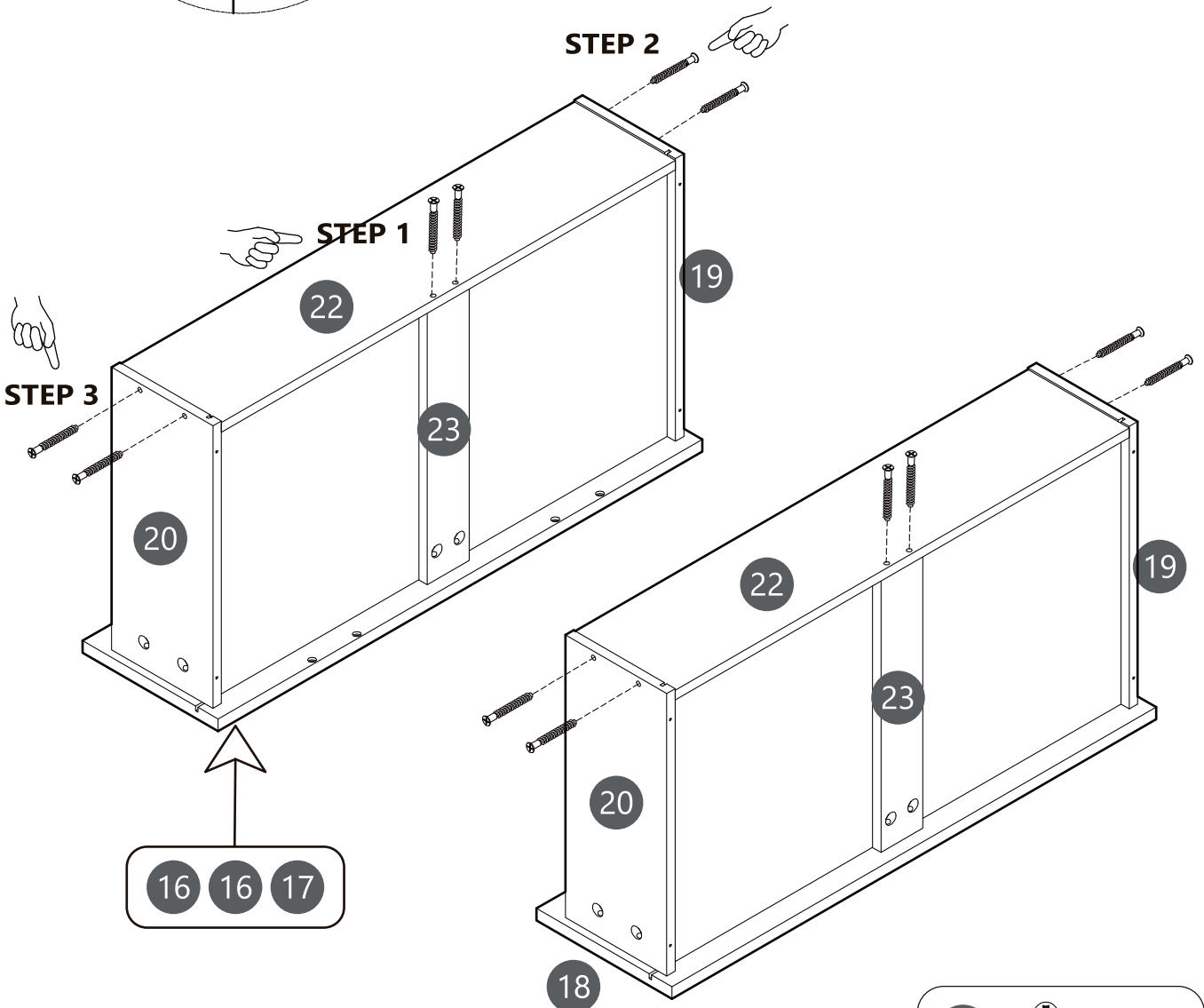
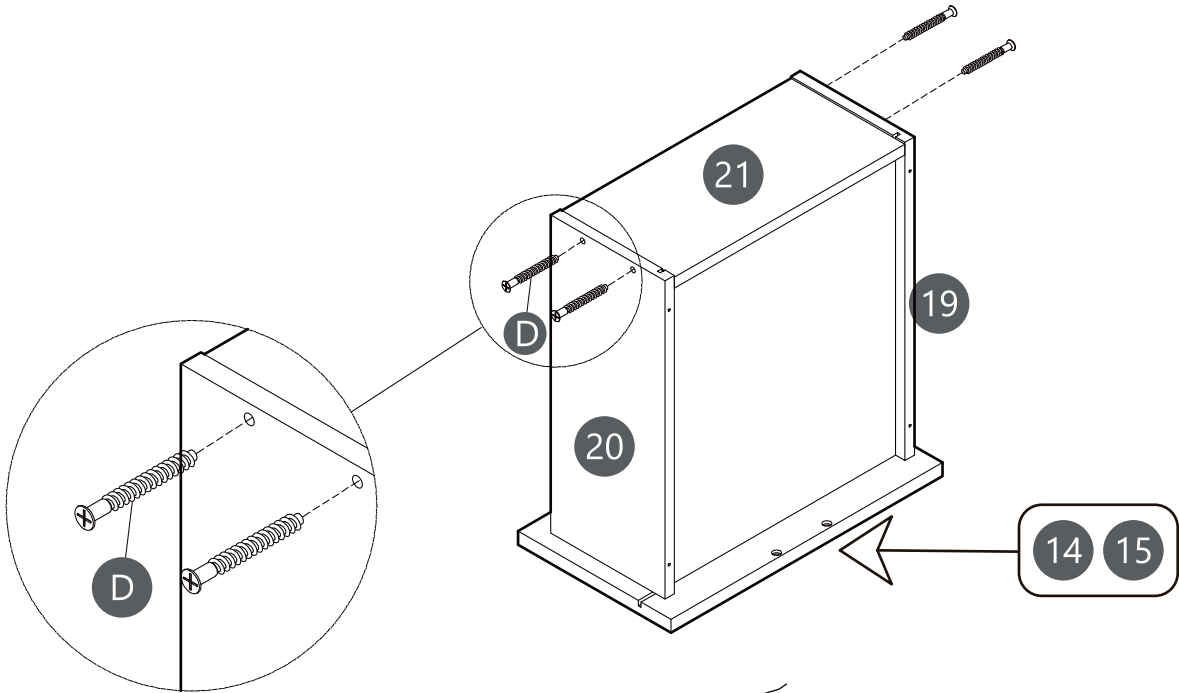
# Step 16

Sliding drawer bottom panels (24&25) into grooves



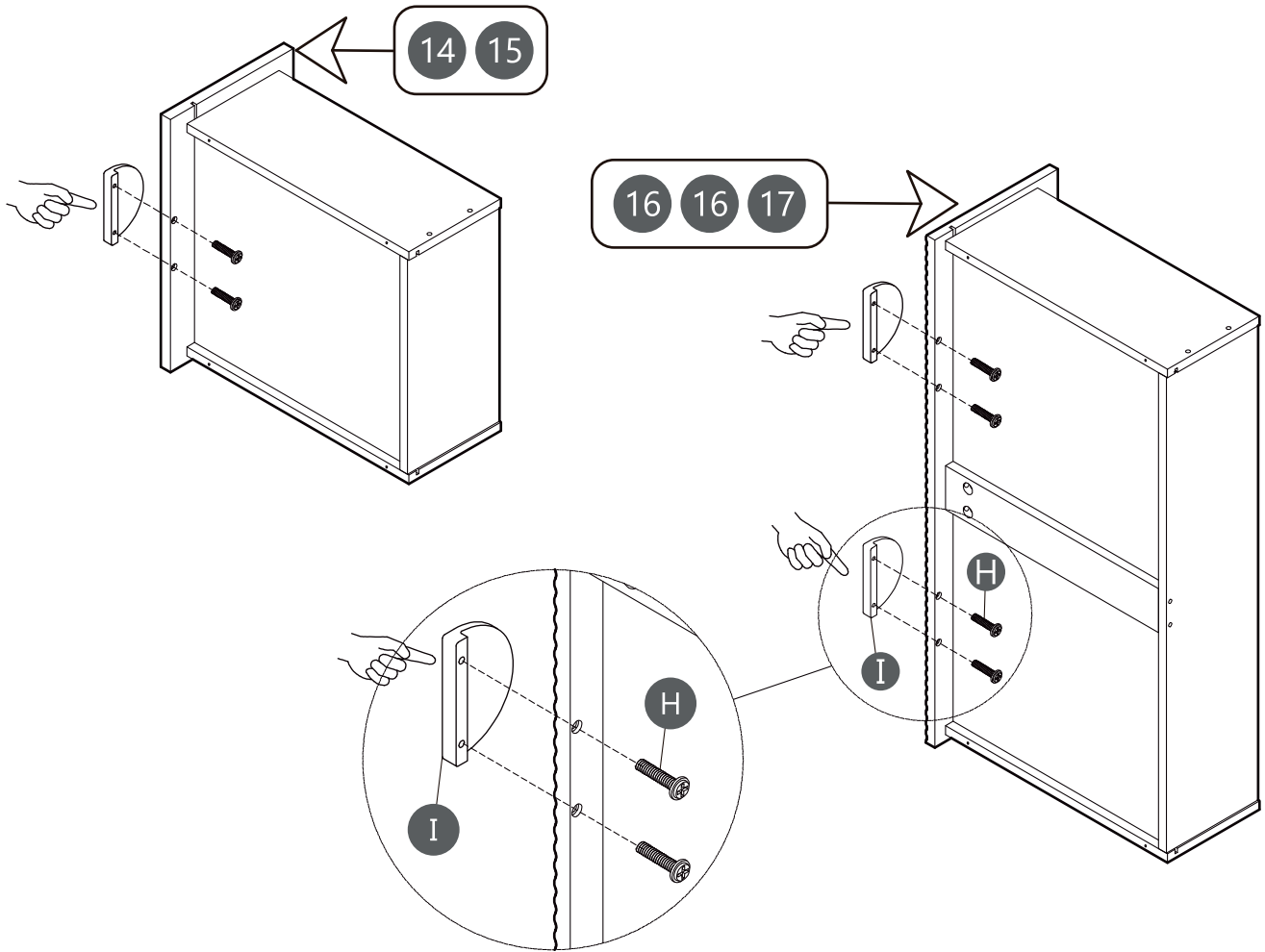
# Step 17

For large drawers, using Screw (D) to assemble Backplane (22) to Board (23).  
Using Screw (D) to assemble Board (22) to Sideboard (19) & (20).

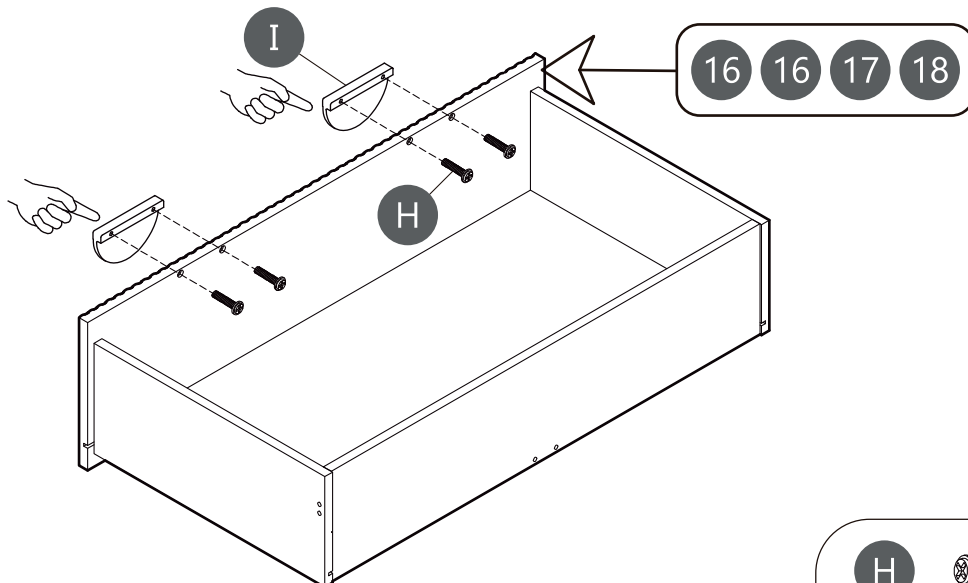


# Step 18

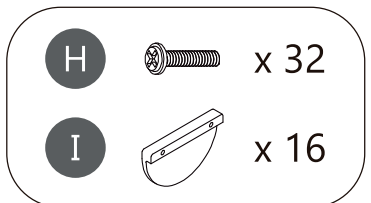
Using Screws (H) to assemble Handle (I) to the **DOWNSIDE** of Board (14&15&16&17).



Using Screws (H) to assemble Handle (I) to the **UPSIDE** of Board (16&17&18).



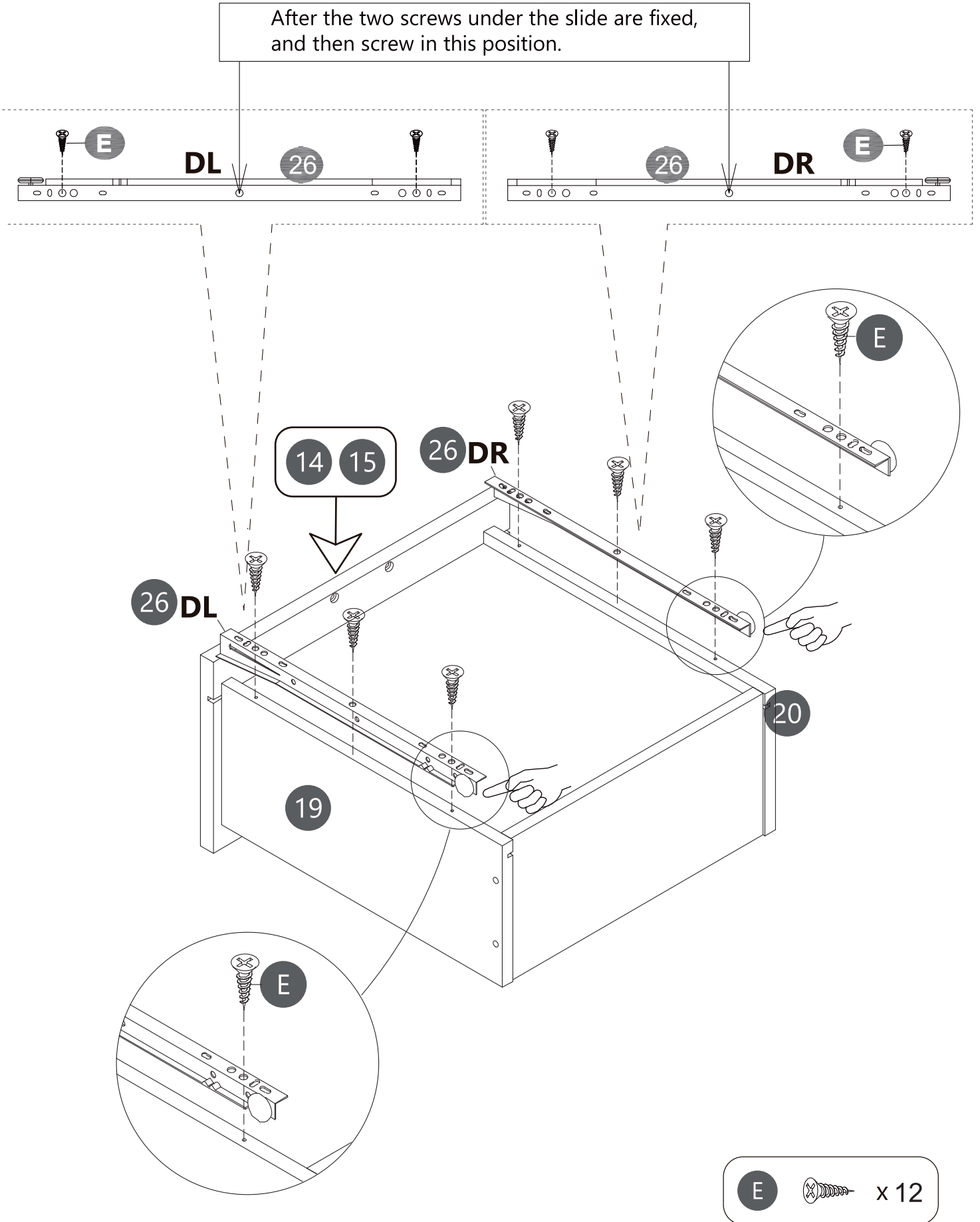
**TIP:** The drawers (16&17) have 4 handles. Attention to the installation direction of the handles as per diagram.



# Step 19

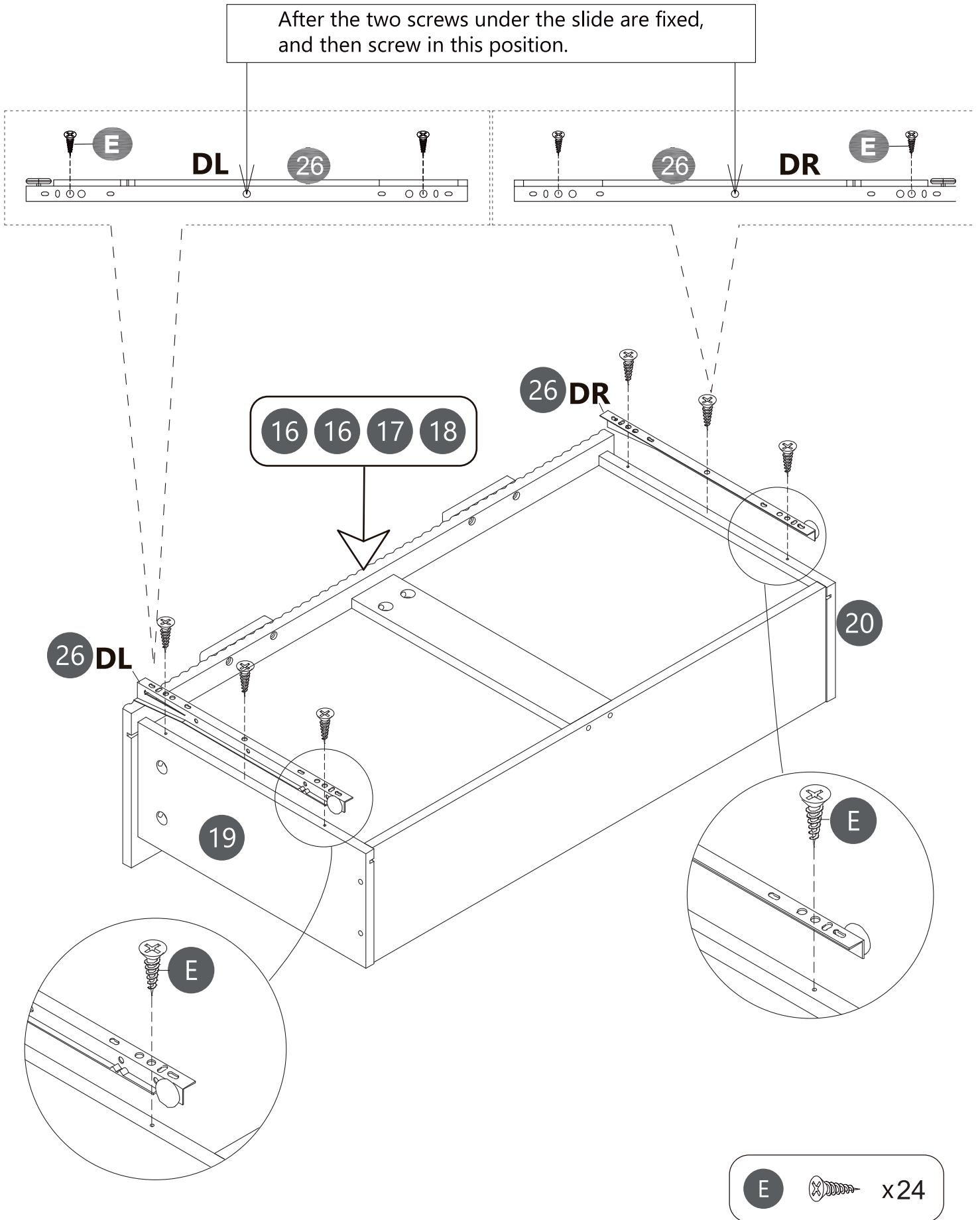
Using Screws (E) to assemble Slide (DR) to Board (20).  
Using Screws (E) to assemble Slide (DL) to Board (19).

After the two screws under the slide are fixed,  
and then screw in this position.



# Step 20

Using Screws (E) to assemble Slide (DR) to Board (20).  
Using Screws (E) to assemble Slide (DL) to Board (19).

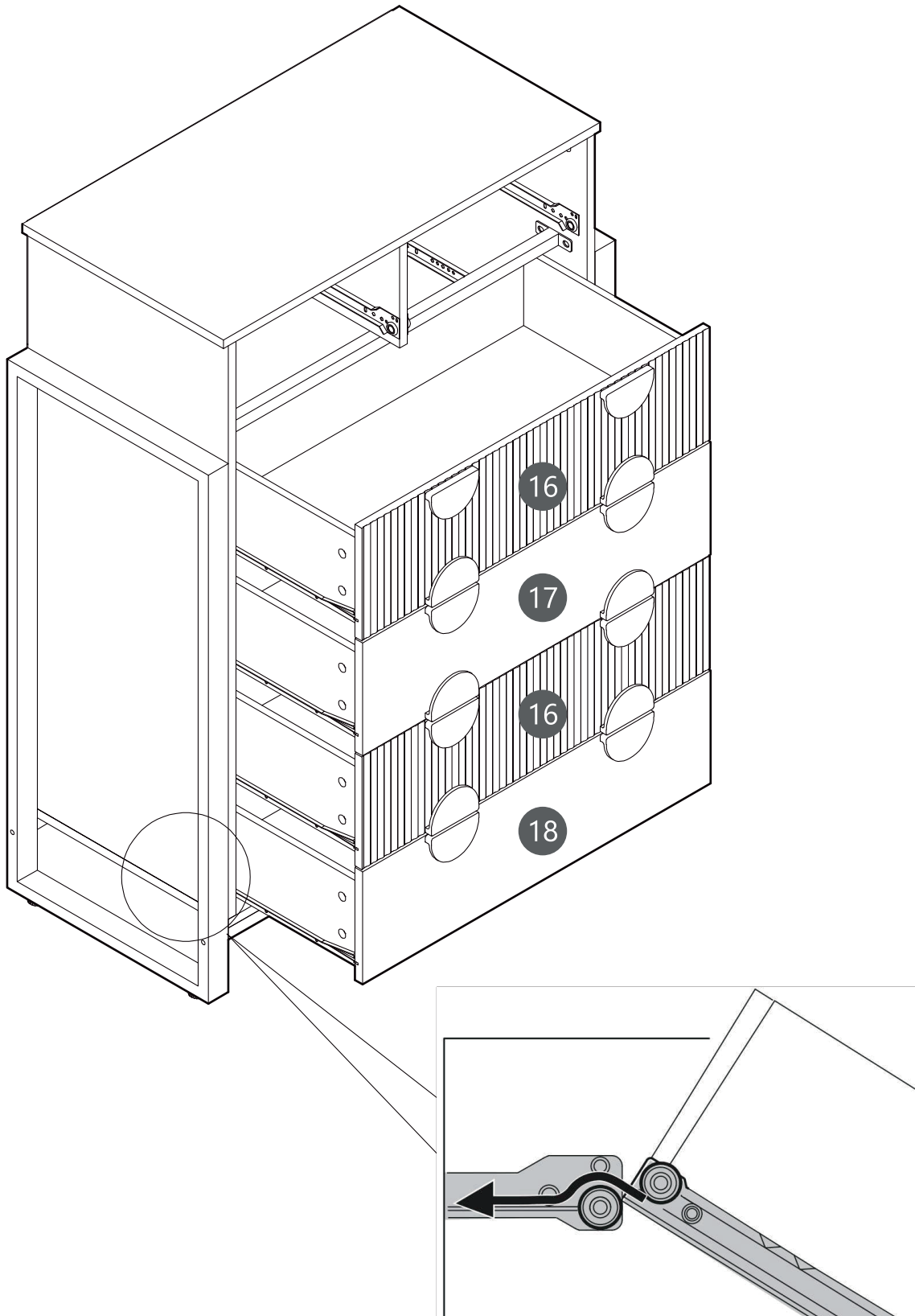


# Step 21

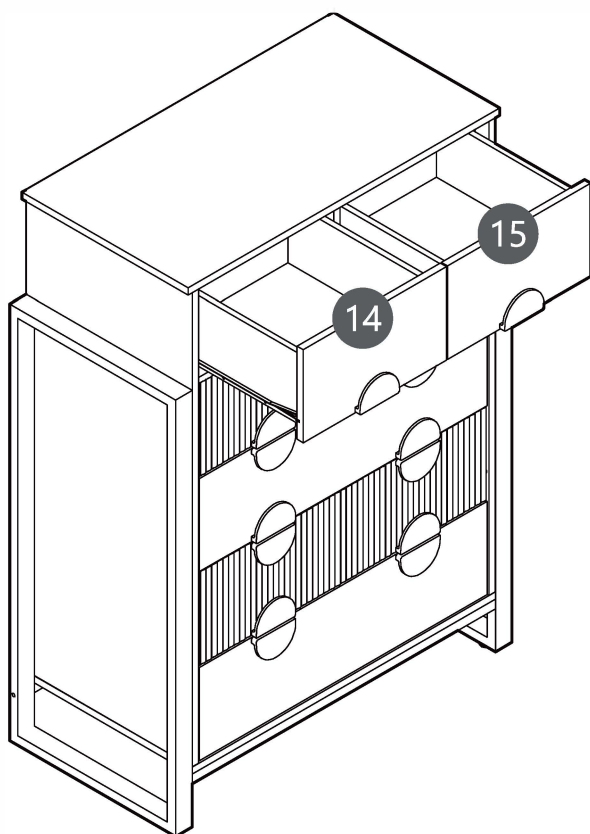
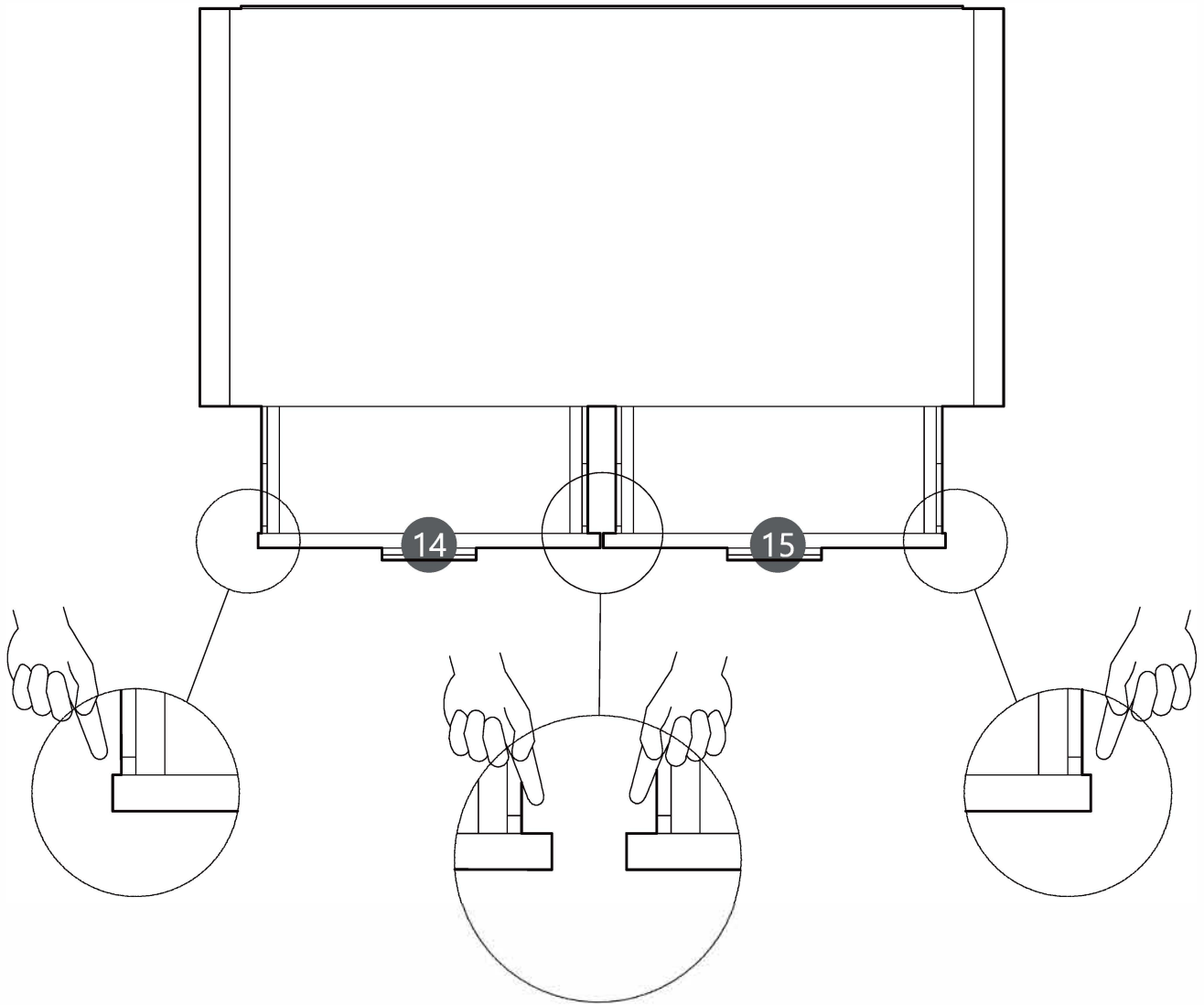
Assembled the drawers as per diagram.

Pay attention to the **ORDER** of the drawers.

When you put the drawer, please note that the drawer wheels on top of the wheels of the slide, then check whether the drawer is smooth when pulled out. Otherwise, the drawer will not be aligned with other drawers.



# Step 22



Attention: The different length of each side of the drawer helps to identify if the drawers should be installed on the right side or left side.

# Step 23

Drill 2 holes in the wall and hammer the (K) in  
Using Screw (K) attach Anti-tipping Belt into Nut (K) to wall.

