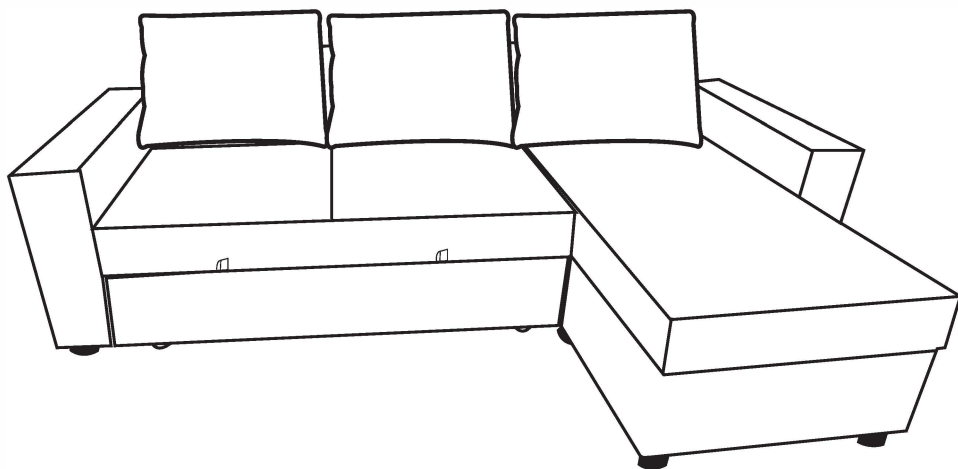


**Instruction manual**

# **PULL OUT CORNER SOFA BED**



# CONTENTS

---

Safety and care advice	<b>1</b>
Components	<b>2</b>
Assembly	<b>3</b>
Copyright	<b>9</b>

---

# ⚠ SAFETY AND CARE ADVICE ⚠

---

## PLEASE READ THESE INSTRUCTIONS CAREFULLY AND KEEP FOR FUTURE REFERENCE

- **Warning:** Please lift with care.
- Check you have all the components and tools listed on pages 2 and 3.
- Remove all fittings from the plastic bags and separate them into their groups.
- Keep children and animals away from the work area, small parts could choke if swallowed.
- Make sure you have enough space to lay out the parts before starting.
- Do not stand or put weight on the product, this could cause damage.
- Assemble the item as close to its final position (in the same room) as possible.

- Assemble on a soft level surface to avoid damaging the unit or your floor (use opened out unit carton).



- We do not recommend the use of power drill/drivers **for inserting screws**, as this could damage the unit. Only use hand screwdrivers.
- Dispose of all packaging carefully and responsibly.

## CARE AND MAINTENANCE

---

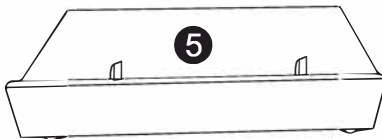
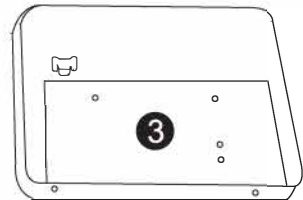
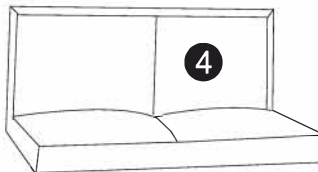
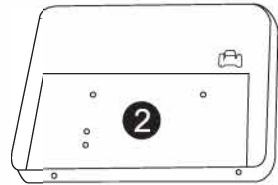
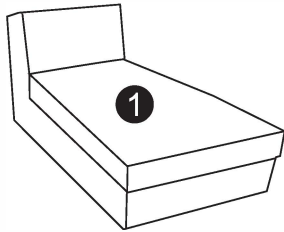
- Only clean using a damp cloth and mild detergent, do not use bleach or abrasive cleaners.
- From time to time check that there are no loose screws on this unit.

- This product should not be discarded with household waste. Take to your local authority waste disposal center.

**Note** *If required the next page can be cut out and used as reference throughout the assembly. Keep this page with these instructions for future reference.*

# COMPONENTS

Ensure the following components are in the box before proceeding with assembly:



## PANEL LIST

<b>1</b>	Corner Sofa	x1	<b>6</b>	Cushion	x3
<b>2</b>	Left Armrest	x1			
<b>3</b>	Right Armrest	x1			
<b>4</b>	2 Seater Sofa	x1			
<b>5</b>	Pull Out Bed	x1			

# COMPONENTS — FITTINGS

---

Ensure the following components are in the box before proceeding with assembly:

**A x4**



**F x4**



M8\*70mm

**B x10**



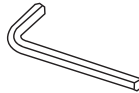
**G x10**



**C x16**

  
M6\*20mm

**H x1**



**D x4**

  
M6\*30mm

**I x2**





**E x2**

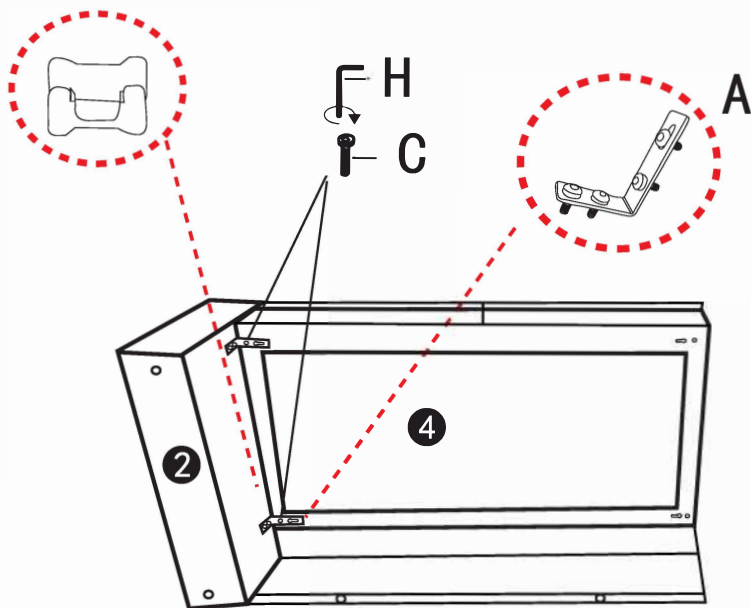


# ASSEMBLY INSTRUCTIONS

---



## Step 1

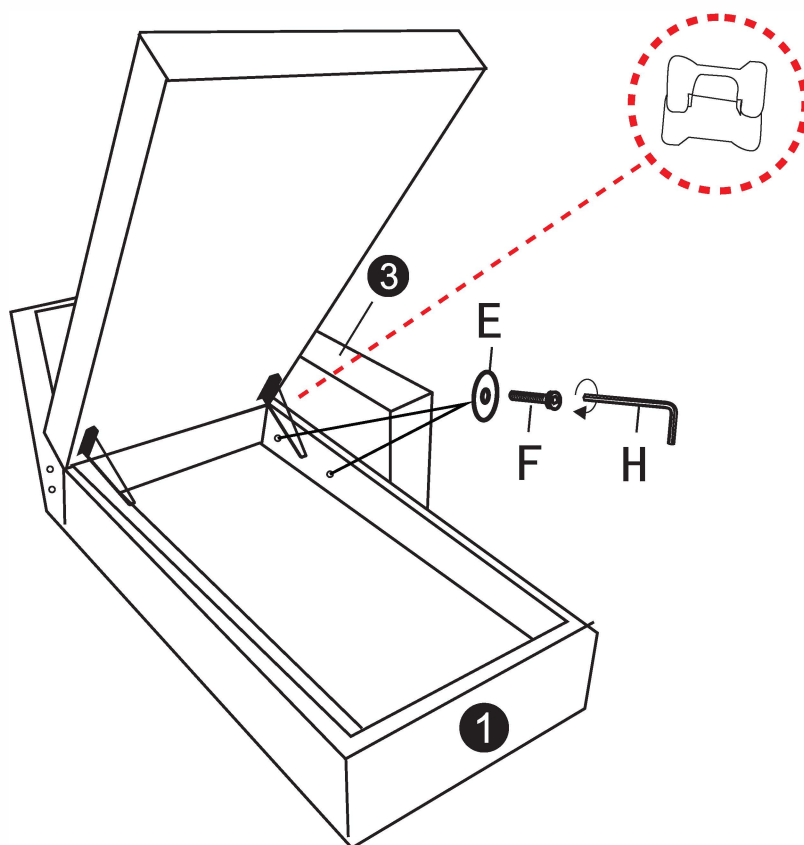
C	 x8 M6*20mm
A	 x2



# ASSEMBLY INSTRUCTIONS




## Step 2

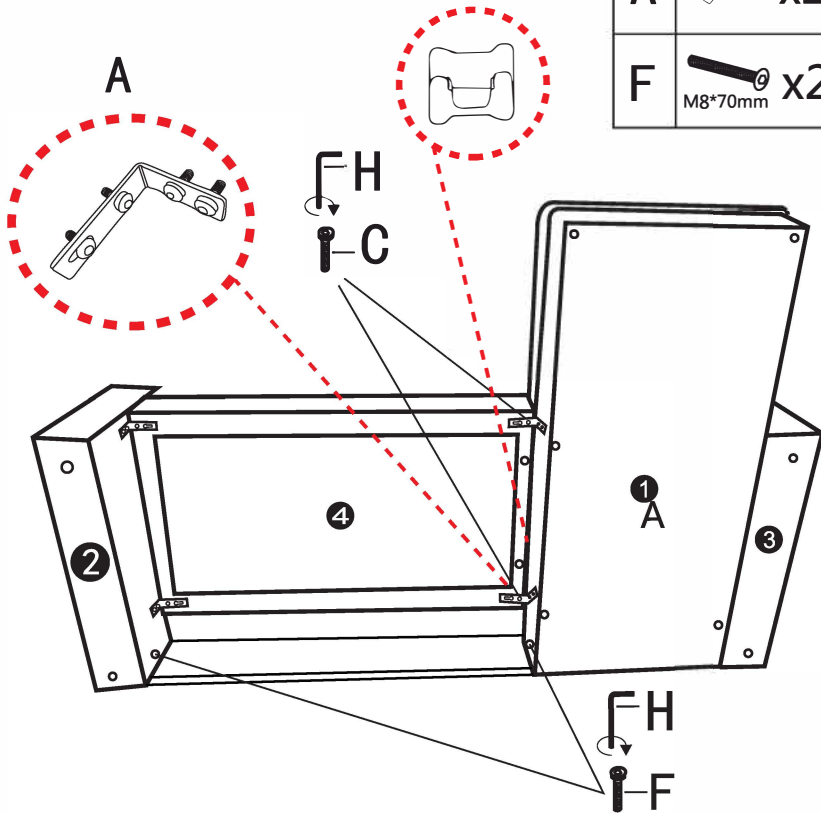
F	 x2 M8*70mm
E	 x2



# ASSEMBLY INSTRUCTIONS





## Step 3

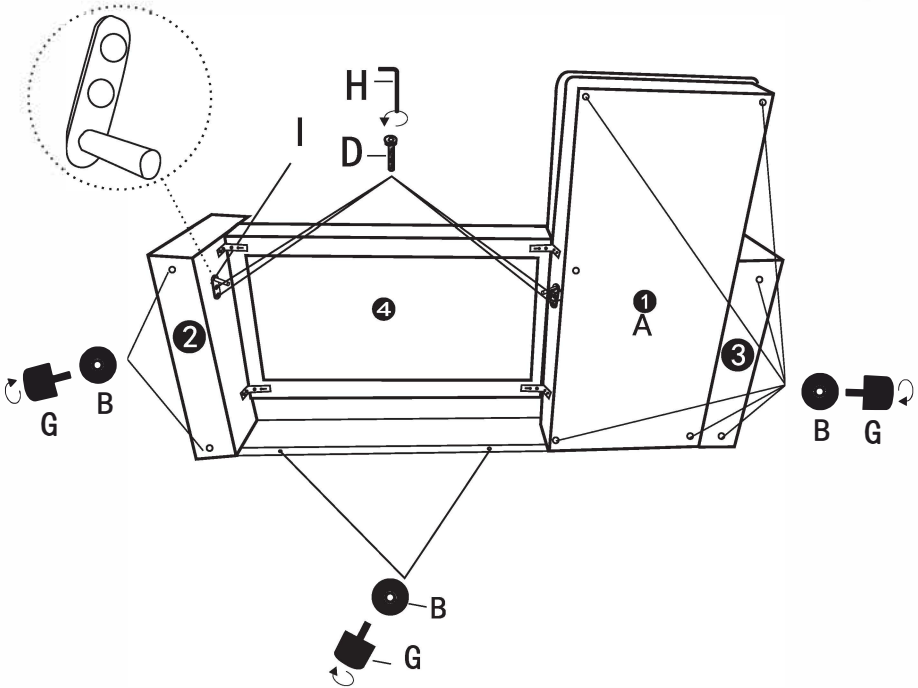
C	 x8 M6*20mm
A	 x2
F	 x2 M8*70mm



# ASSEMBLY INSTRUCTIONS

## Step 4

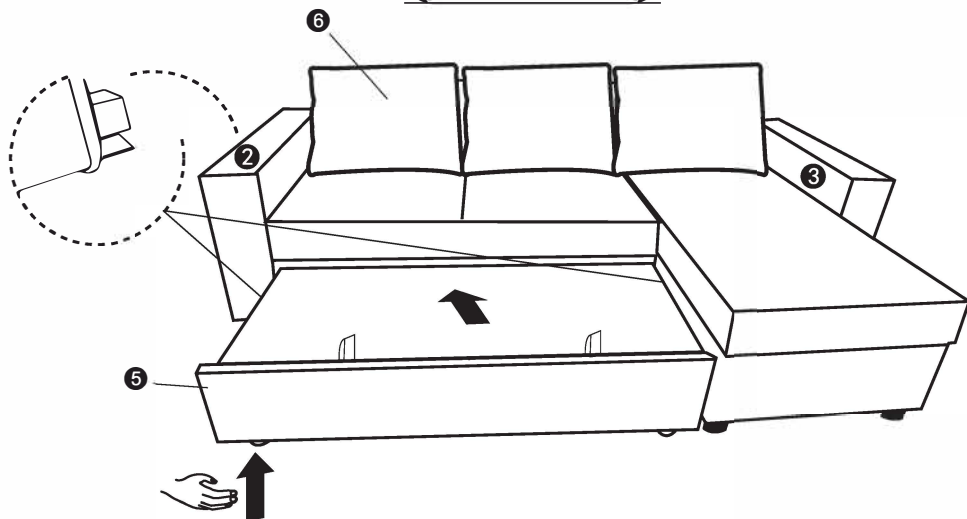
G	 x10
B	 x10
I	 x2
D	 x4 M6*30mm



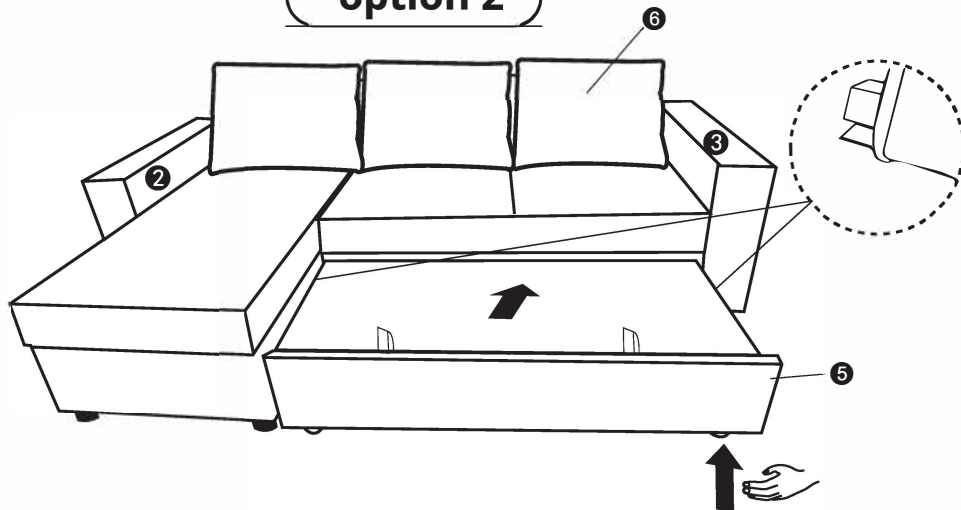
# ASSEMBLY INSTRUCTIONS

Step 5

option 1



option 2



## **IF YOU FIND A DEFECTIVE PART**

---

We fully stock all parts and components. Any defective part can be quickly replaced. Take note of the defective part number in manual and we will arrange a replacement.

Thank you for purchasing!

version 1

---