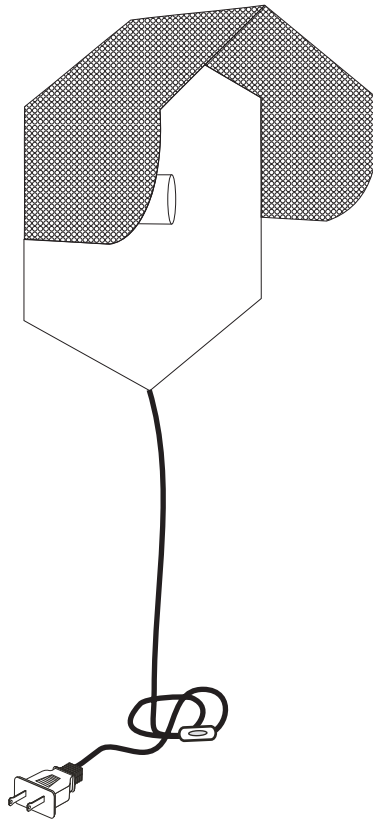
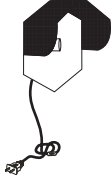
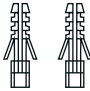
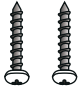

ASSEMBLY INSTRUCTIONS



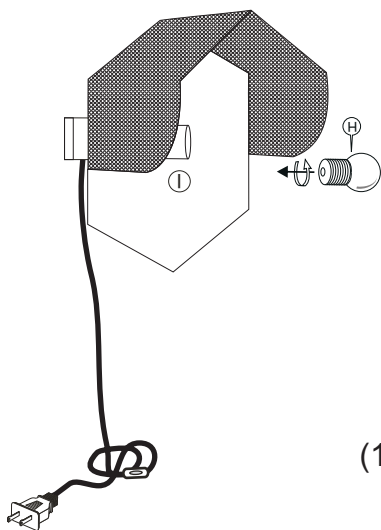
PARTS LIST & HARDWARE LIST

LABEL	DESCRIPTIONS	PICTURE	QTY
A	WALL LAMP		1X
B	PLASTIC CEILING MOUNTS		2X
C	SCREW		2X

PREPARATION

Before beginning assembly of product, make sure all parts are present. Compare parts with package contents list and hardware contents list. If any part is missing or damaged, do not attempt to assemble the product. Estimated Assembly Time: 10 minutes.

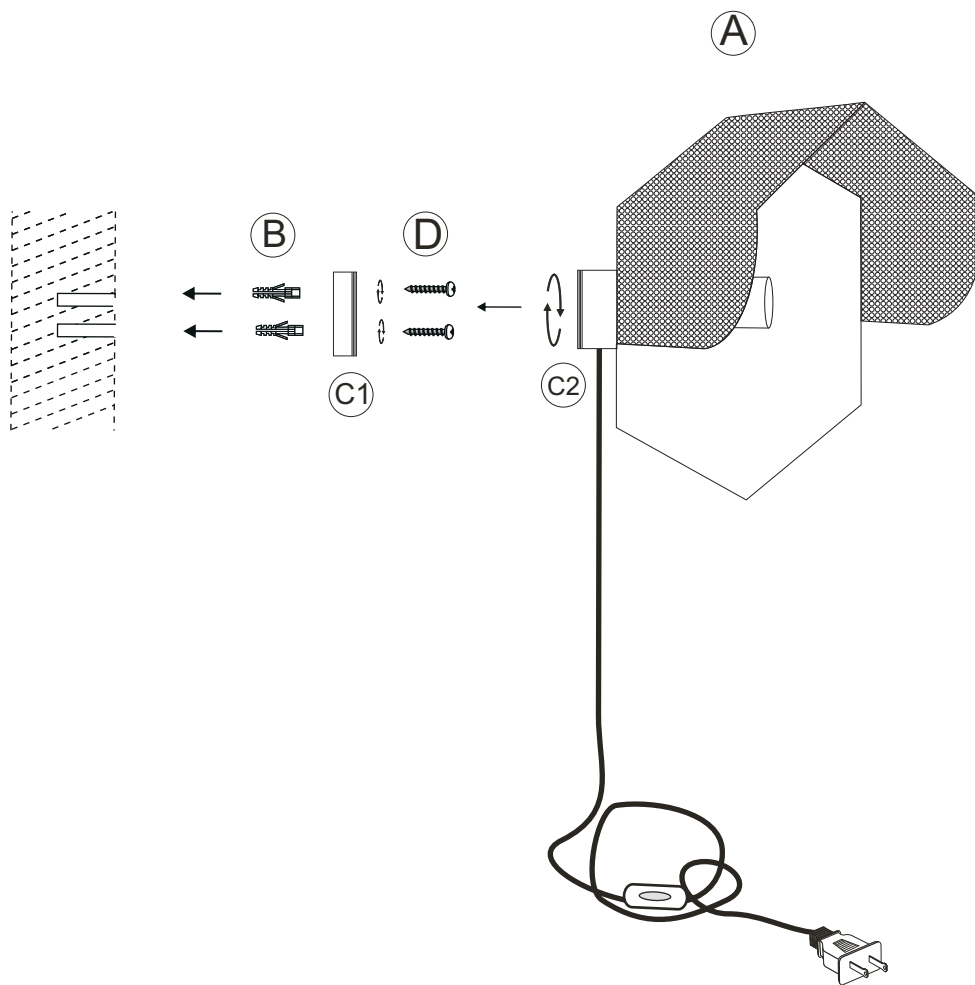
1



(1) Secure the light bulb (H) E26 into the bulb holder (I).

Step 1

2



- (1) Secure the mounting part (C1) with screw (D) in the plastic wall mount (B).
- (2) Fix the wall lamp fixture (A) on the mounting part (C1) with the mounting part (C2) by rotate clockwise.

Step 2

CARE & MAINTENANCE

1. Do not use acids or alkaline cleaning agents.
2. Sharp objects will damage and scratch the surface.
3. Wipe the surface with a soft, damp cloth.
4. Please make sure that you have all parts indicated before you begin assembly of this item
5. This item should be assembled on a soft surface to prevent scratching the finish during assembly
6. This item may require periodic tightening