

ASSEMBLY INSTRUCTION

Mirror

BEFORE YOU START, HERE IS SOME HELPFUL ADVICE

We suggest you spend a short time reading through this leaflet and follow the simple step-by-step assembly instruction.

Do not discard any of the packaging until you have checked that you have all the parts and the pack of fittings.

Assemble this product on a flat surface.

Assemble all parts loosely before tightening any bolts.

Discard all extra fittings and keep fittings out of reach of children.

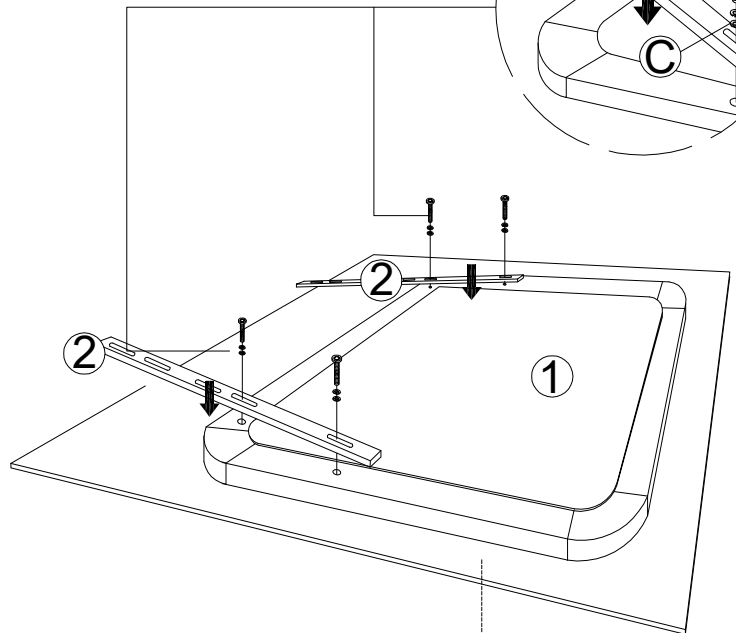
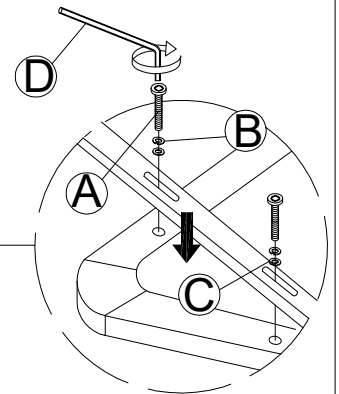
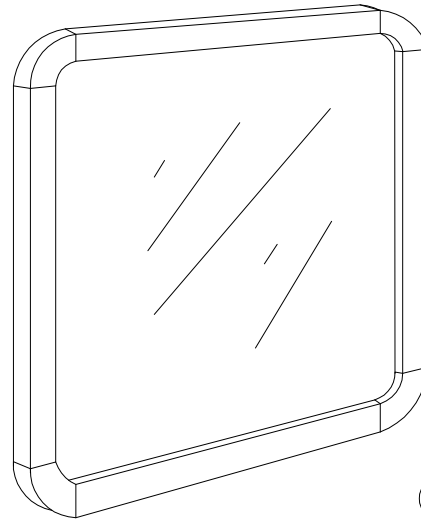
To clean, wipe clean with a damp cloth.

Retain Assembly Instruction for future reference.

PARTS AND FITTINGS LIST

PARTS LIST		
CODE	DESCRIPTION	QTE.
1	MIRROR	1
2	MIRROR SUPPORT	2

FITTINGS LIST		
CODE	DESCRIPTION	QTE.
A	JCBC M6 x 35mm	8
B	SPRING WASHER M6	8
C	FLAT WASHER M6	8
D	ALLEN KEY M4	1



Useful tips : assemble the furniture on the packing carton to prevent scratches.

