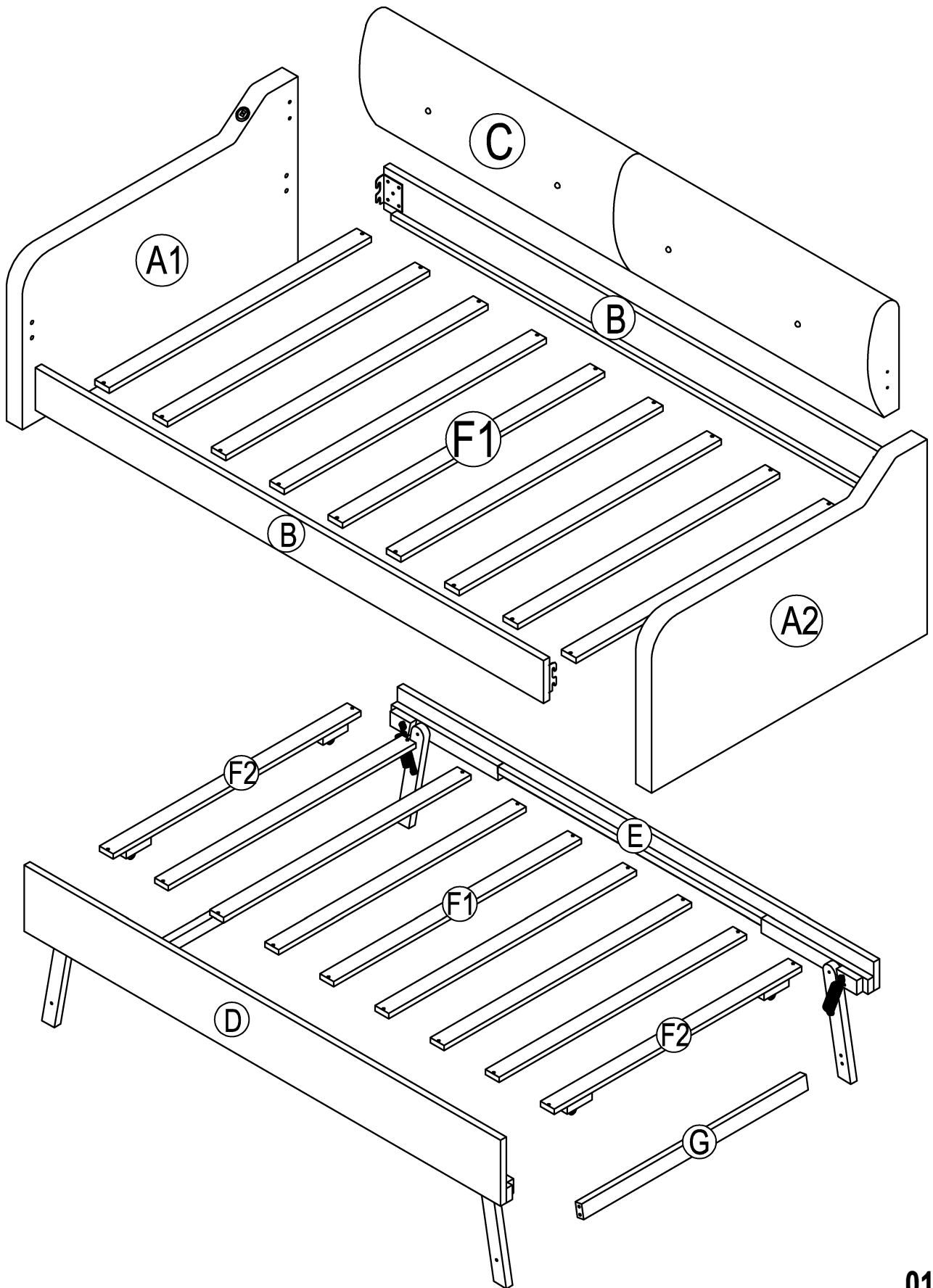
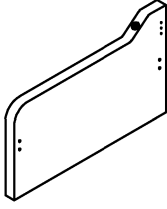
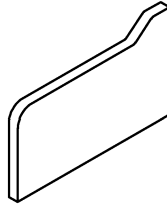
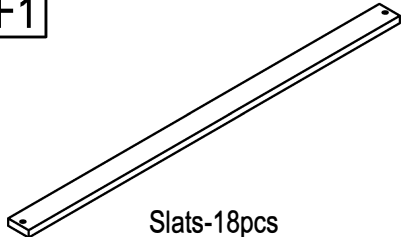
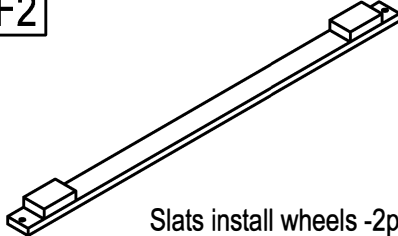



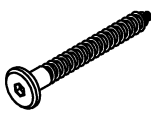
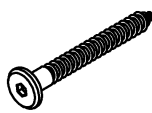

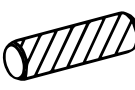
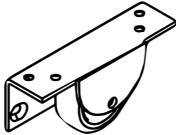



ASSEMBLY INSTRUCTION



Part List

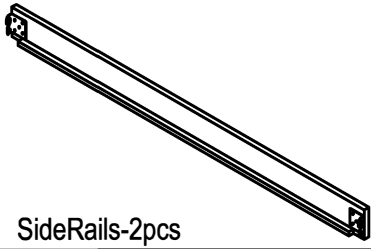
| | | |
|--|---|--|
| <p>A1</p>  <p>HeadBoard-1pcs</p> | <p>A2</p>  <p>FootBoard-1pcs</p> | <p>F1</p>  <p>Slats-18pcs</p> |
| <p>F2</p>  <p>Slats install wheels -2pcs</p> | | |

Hardware List

| | | |
|--|---|---|
| <p>1</p>  <p>Plastic Feet(Ø50x40) 4pcs</p> | <p>2</p>  <p>Ø1/4" x 30 mm Wood Screws 8pcs</p> | <p>3</p>  <p>Ø1/4" x 50 mm Wood Screws 8pcs</p> |
| <p>4</p>  <p>M4 x 30 mm Wood Screws 48pcs</p> | <p>5</p>  <p>Ø10 x 40 mm Wood dowel 4pcs</p> | <p>6</p>  <p>Wheels 4pcs</p> |
| <p>7</p>  <p>Allen Key 1pc</p> | <p>8</p>  <p>Steel Bracket 3pcs</p> | <p>9</p>  <p>M4 x 15 mm Wood Screws 12pcs</p> |

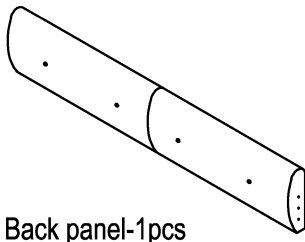
Part List

B



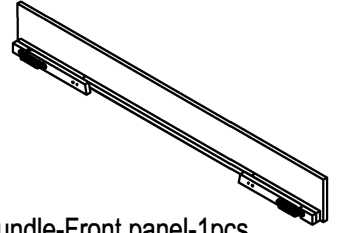
Side Rails-2pcs

C



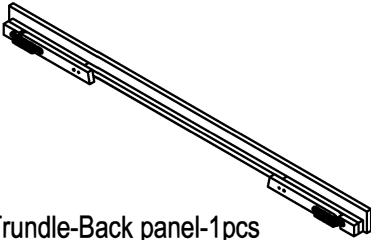
Back panel-1pcs

D



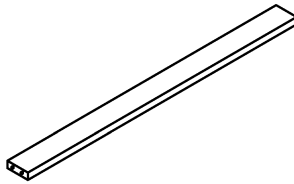
Trundle-Front panel-1pcs

E

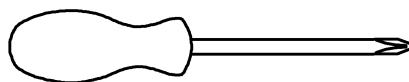


Trundle-Back panel-1pcs

G




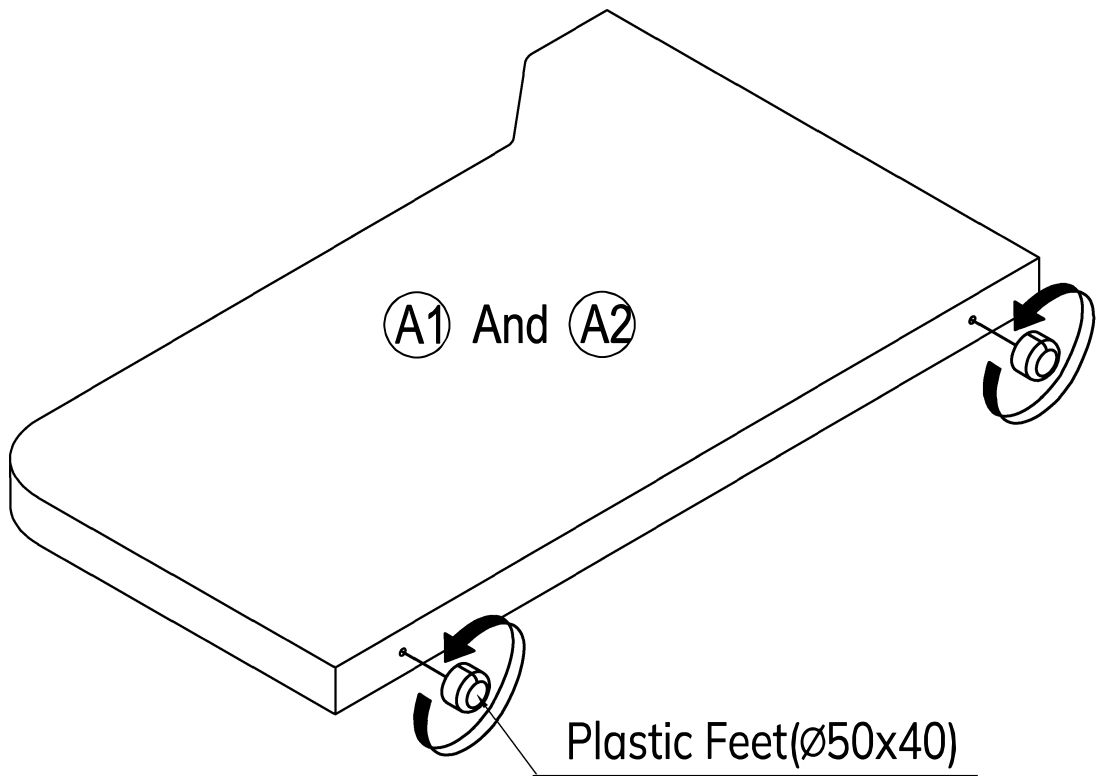
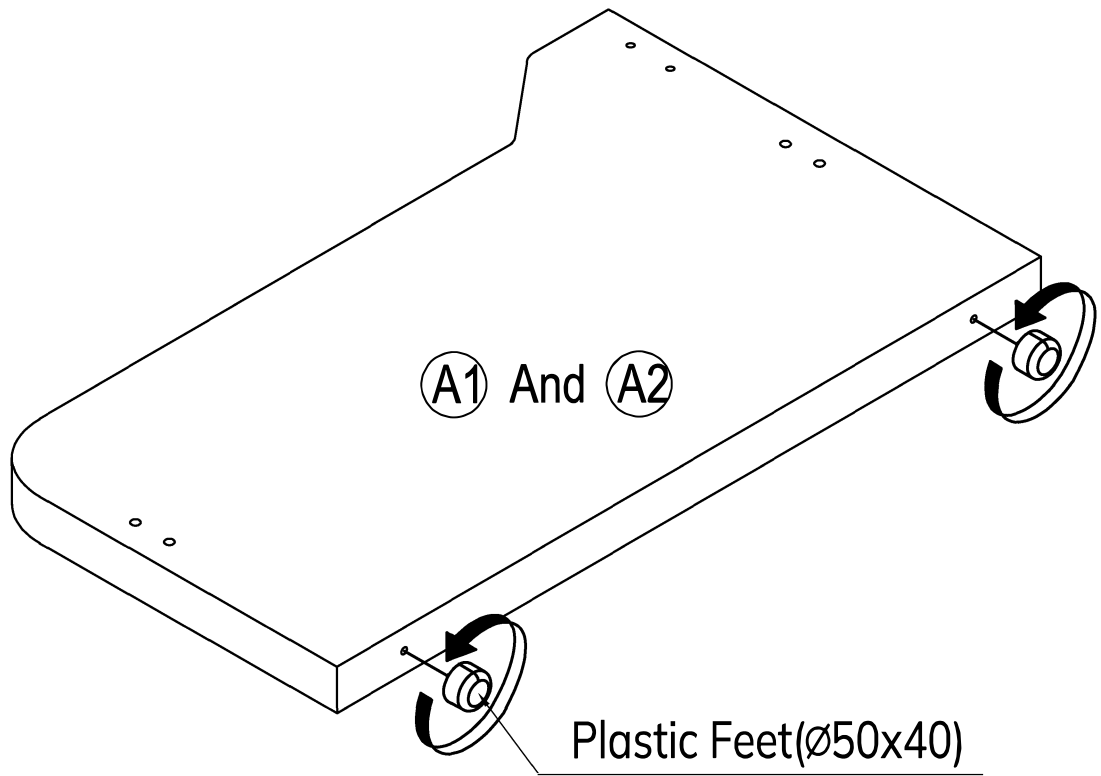
Trundle Legs Bar-2pcs



Assembly Tools Required (Not Included)

STEP 1: Following below illustration Assembly Plastic Feet(#1) With Headboard and Footboard use HW #2

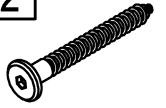
| | |
|------|---|
| 1 |  |
| 4pcs | |



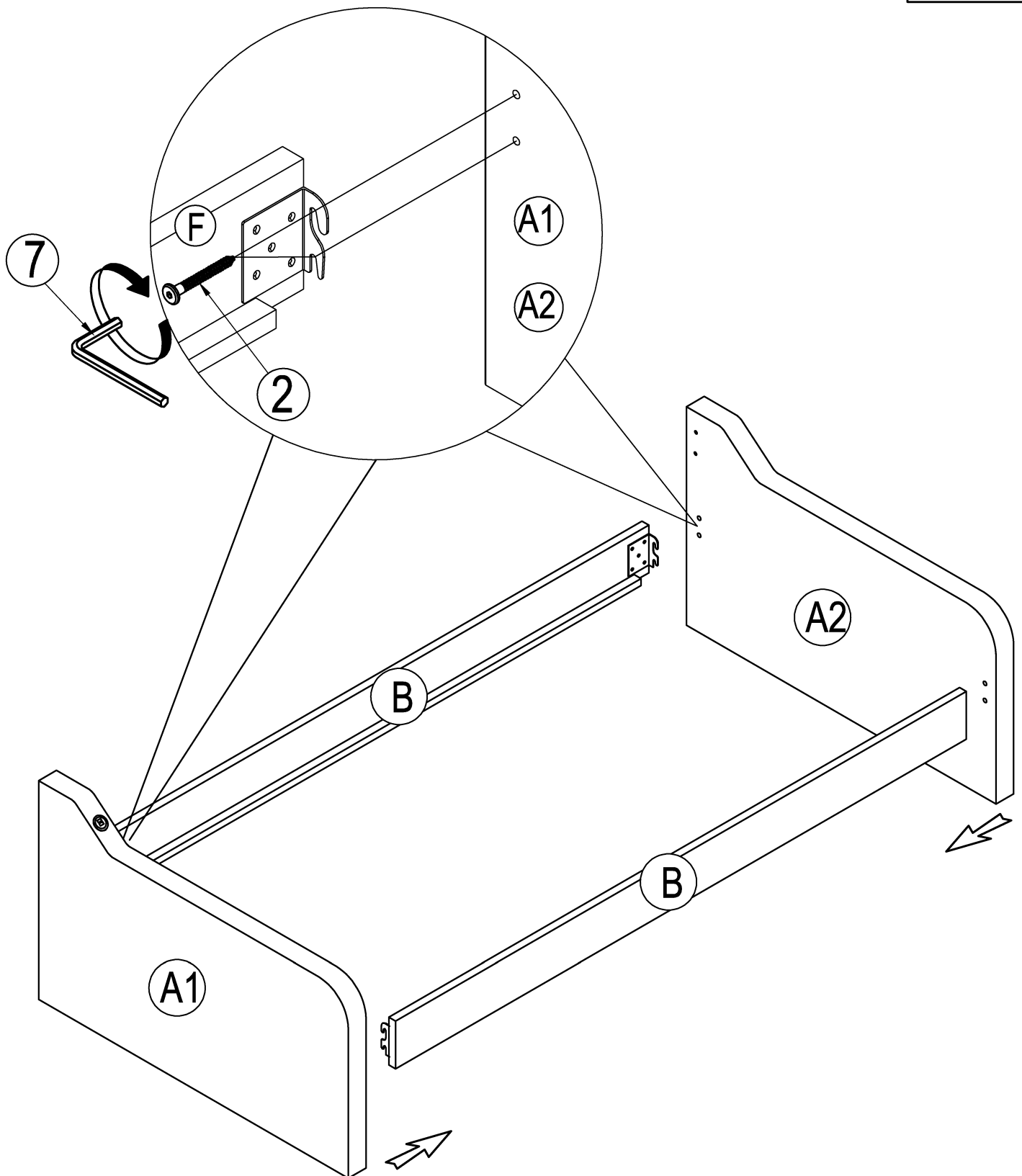
STEP 2: Following below illustration Using hardward #2 to Assembly Headboard and Footboard with siderail

B(x2). Look at detail view for more detail

2



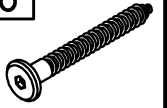
8pcs



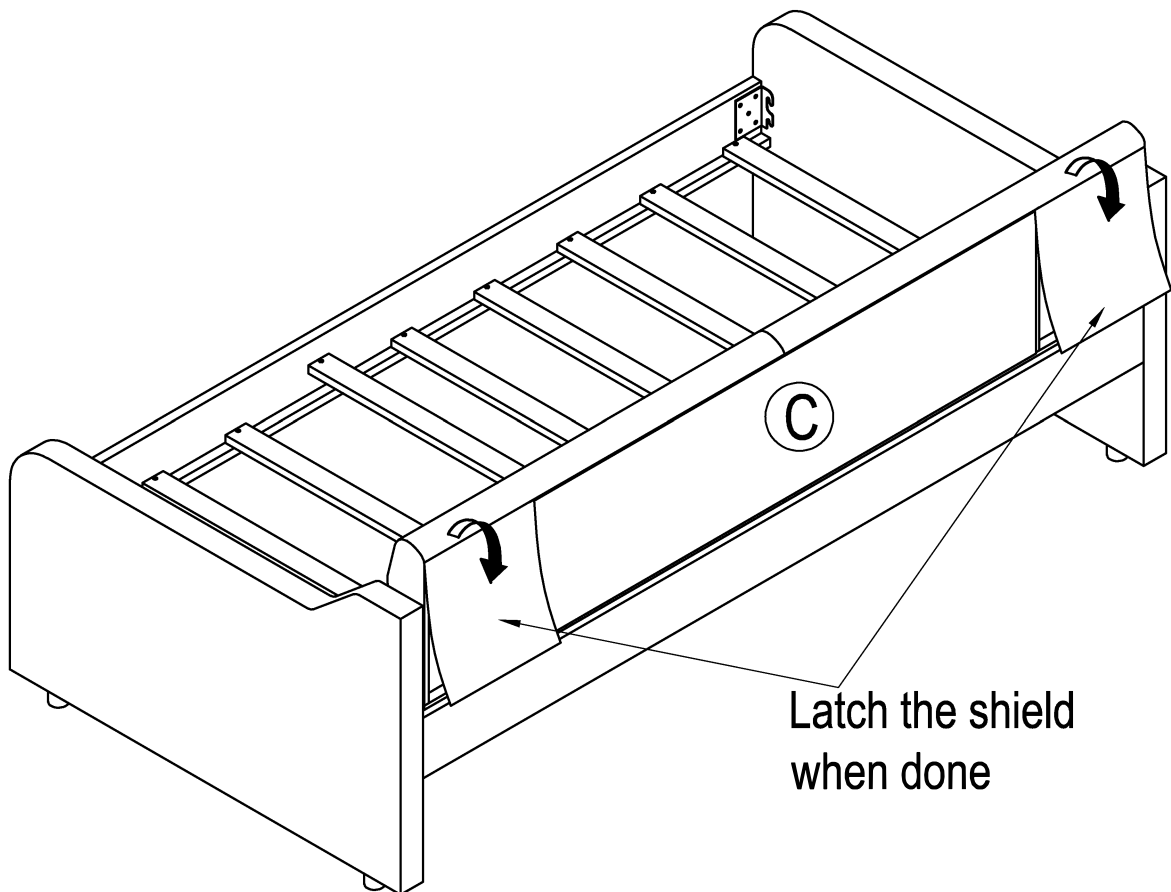
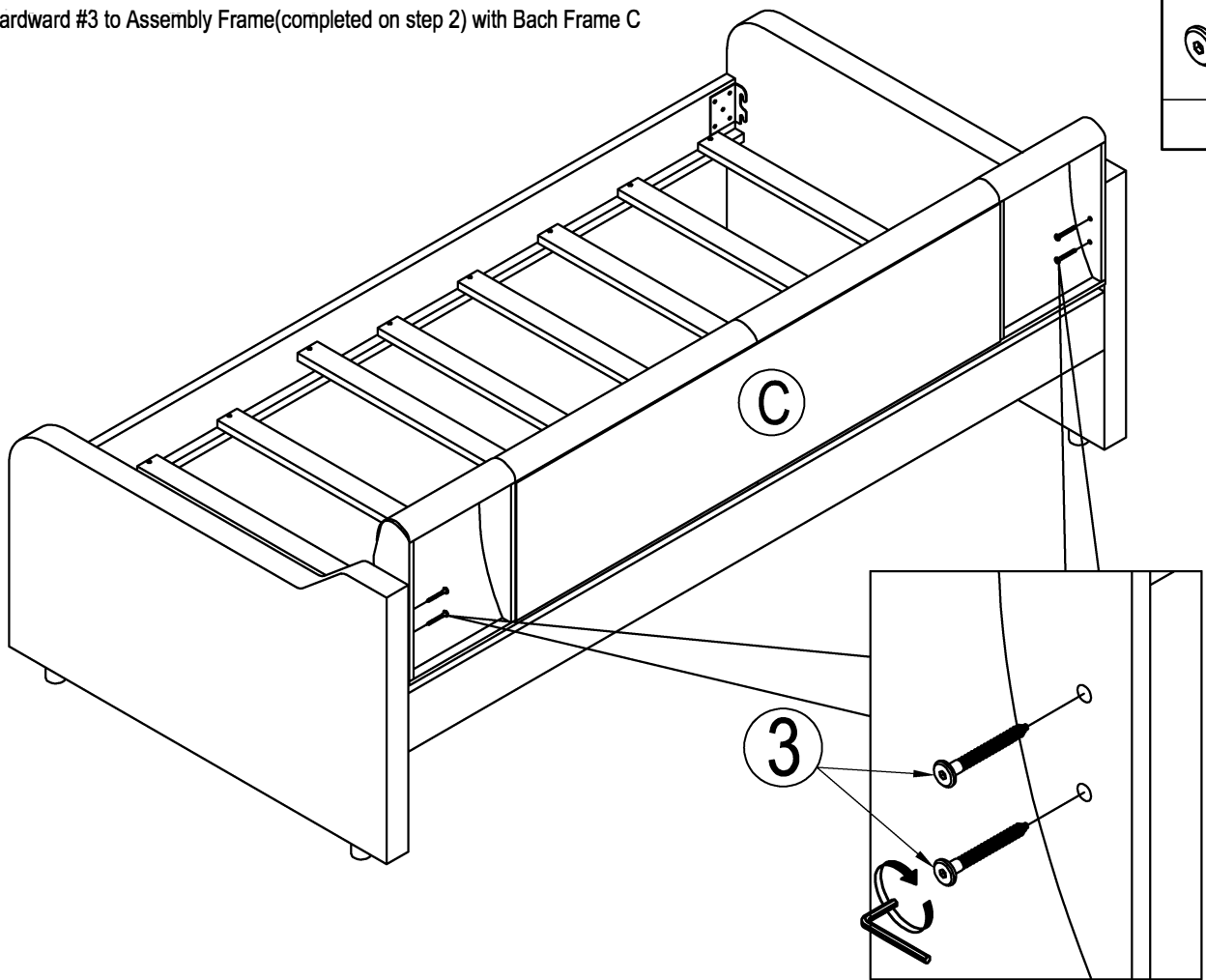
STEP 3: Following below illustration

-Using hardward #3 to Assembly Frame(completed on step 2) with Bach Frame C

8



6pcs



Latch the shield
when done

STEP 4:

Following below illustration:

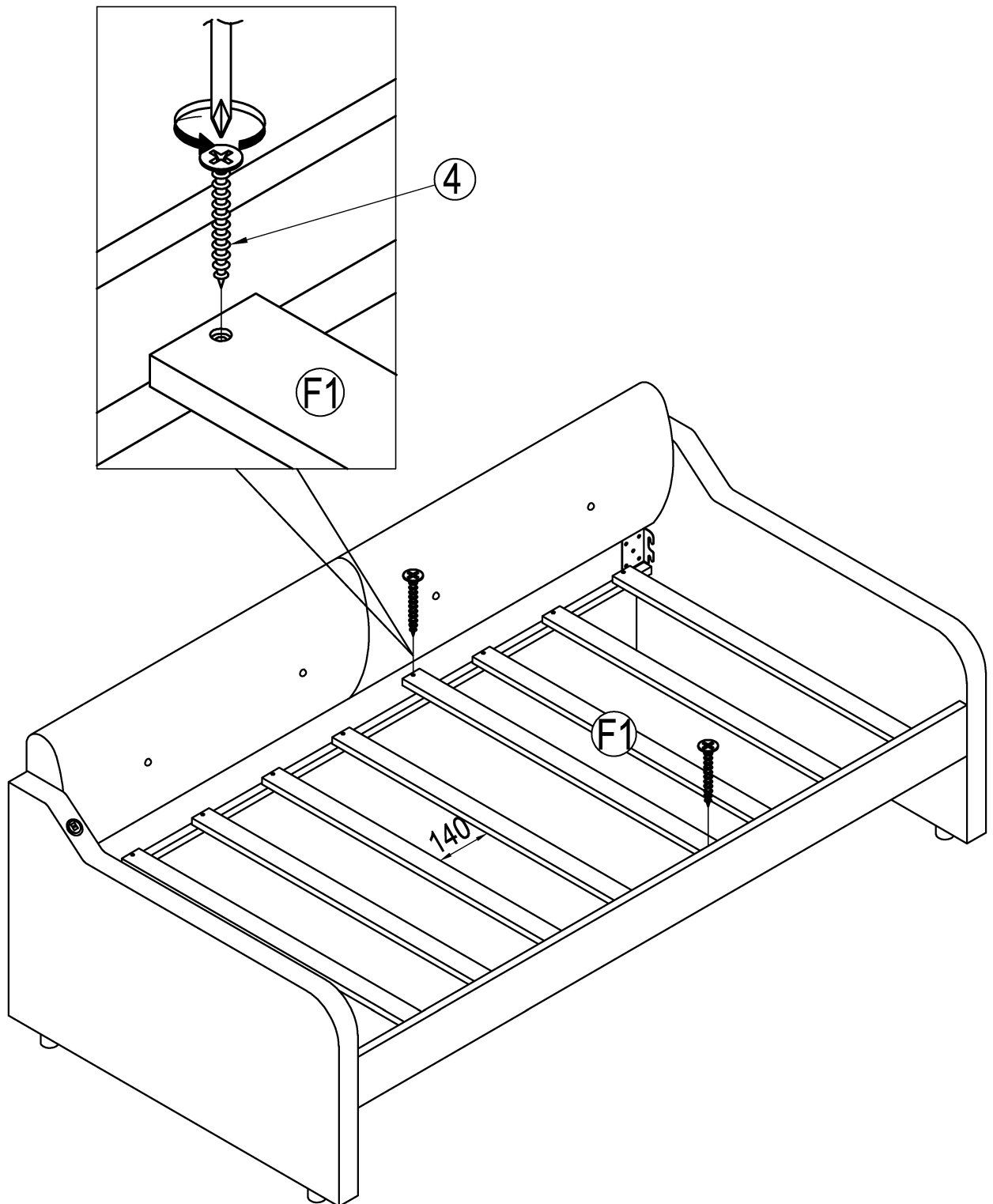
-Screw 10 slats F with Side Rail B by using hardward #4.

-Look at detail view for more detail

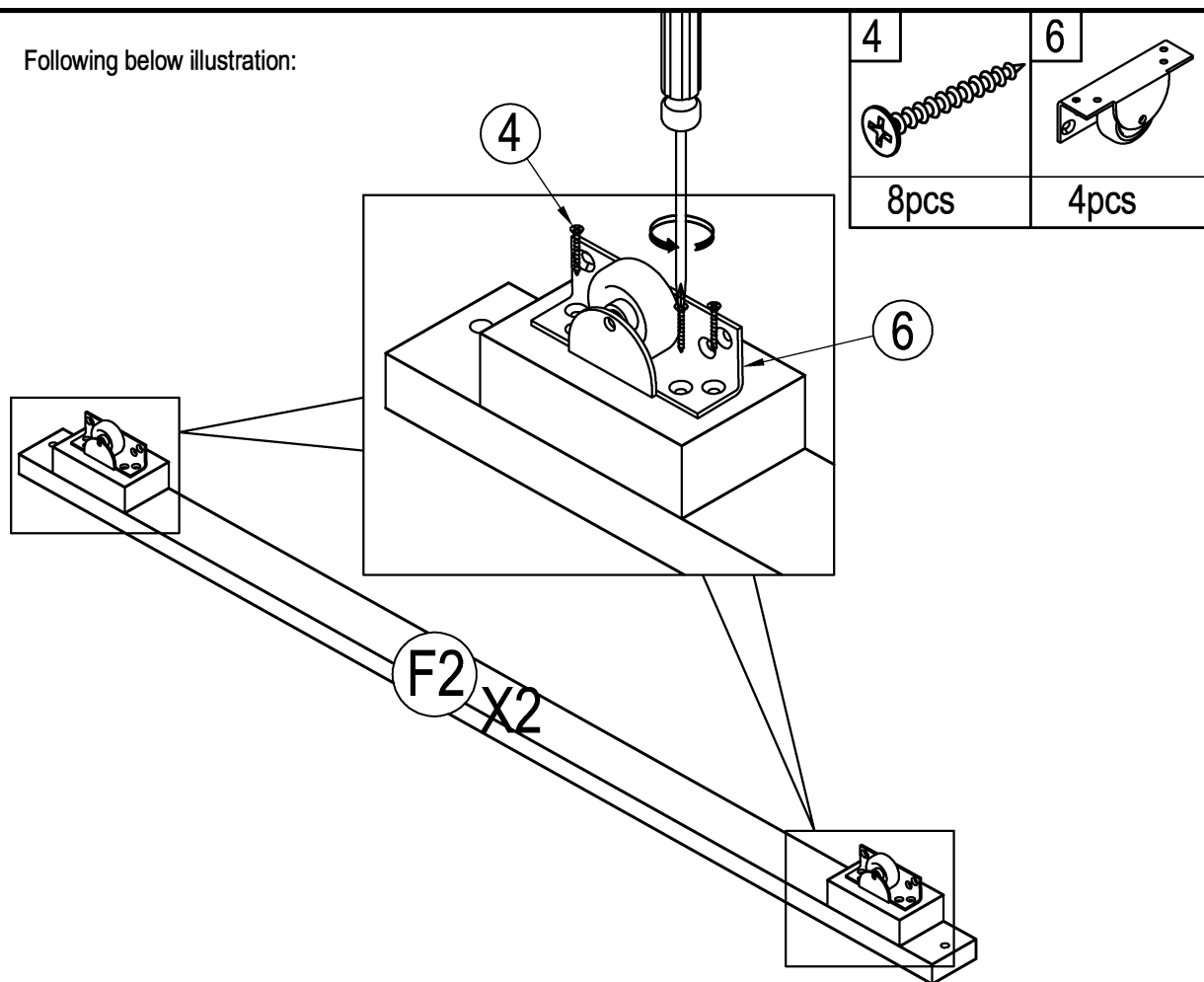
4



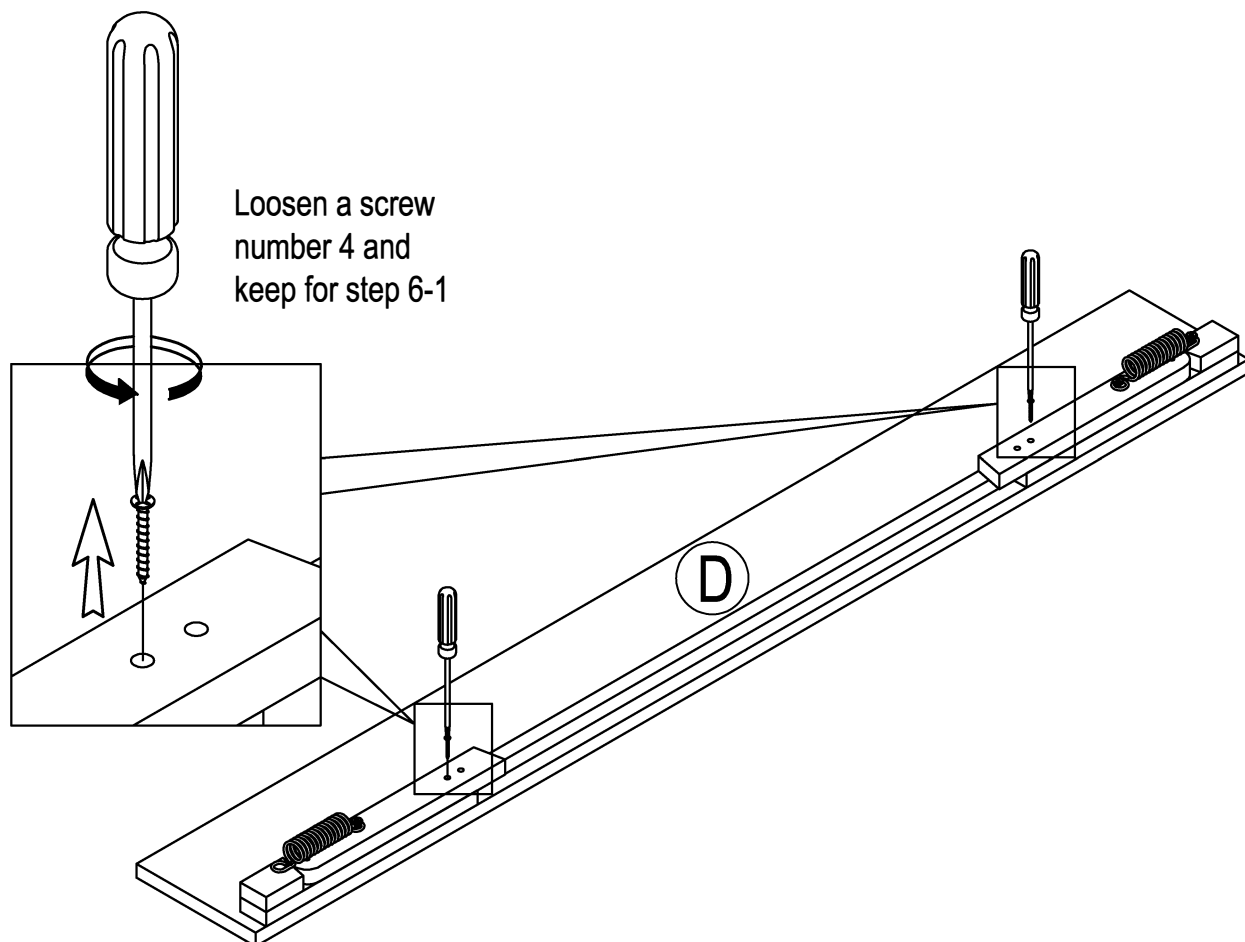
20pcs



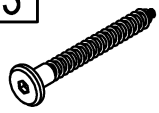

STEP 5-1: Following below illustration:

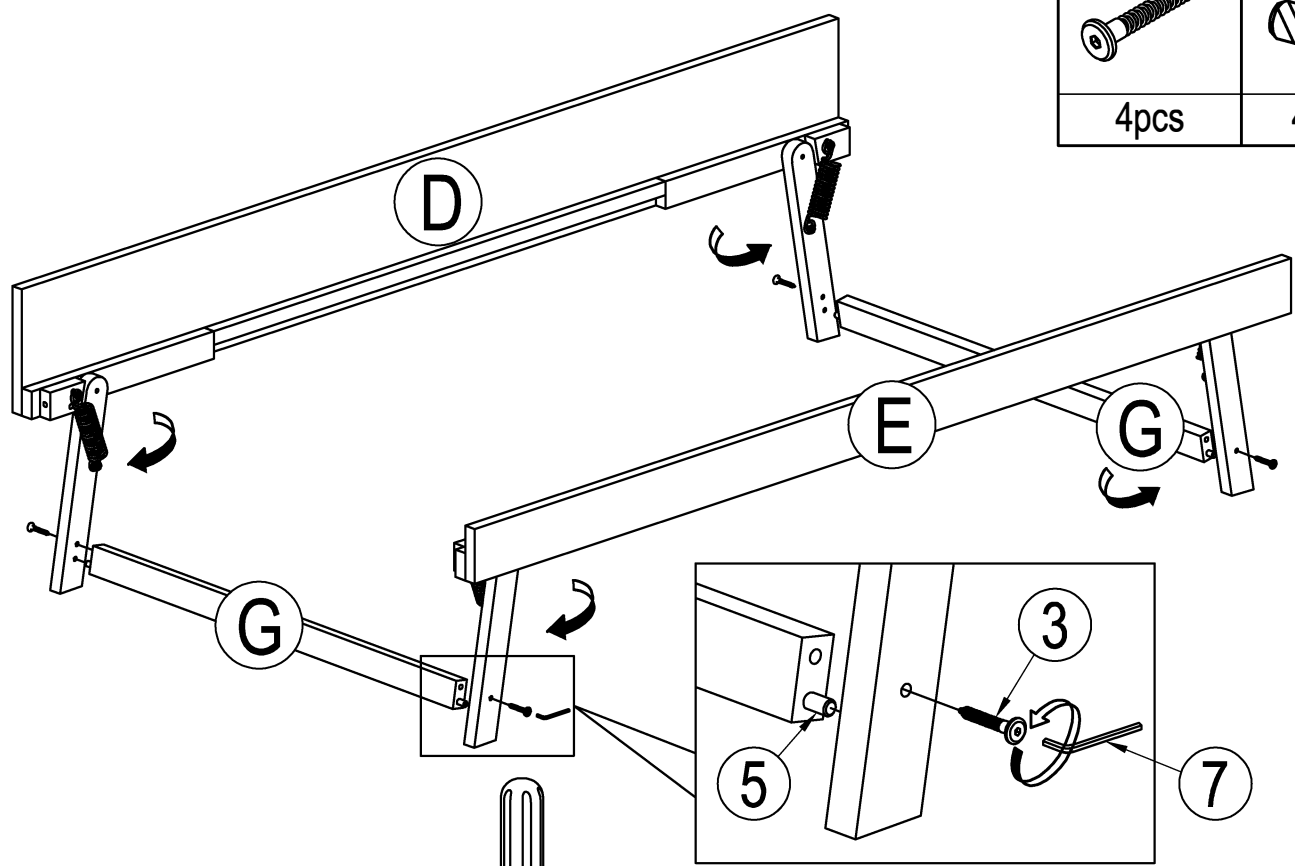


STEP 5-2: Loosen a screw number 4 and keep for step 6




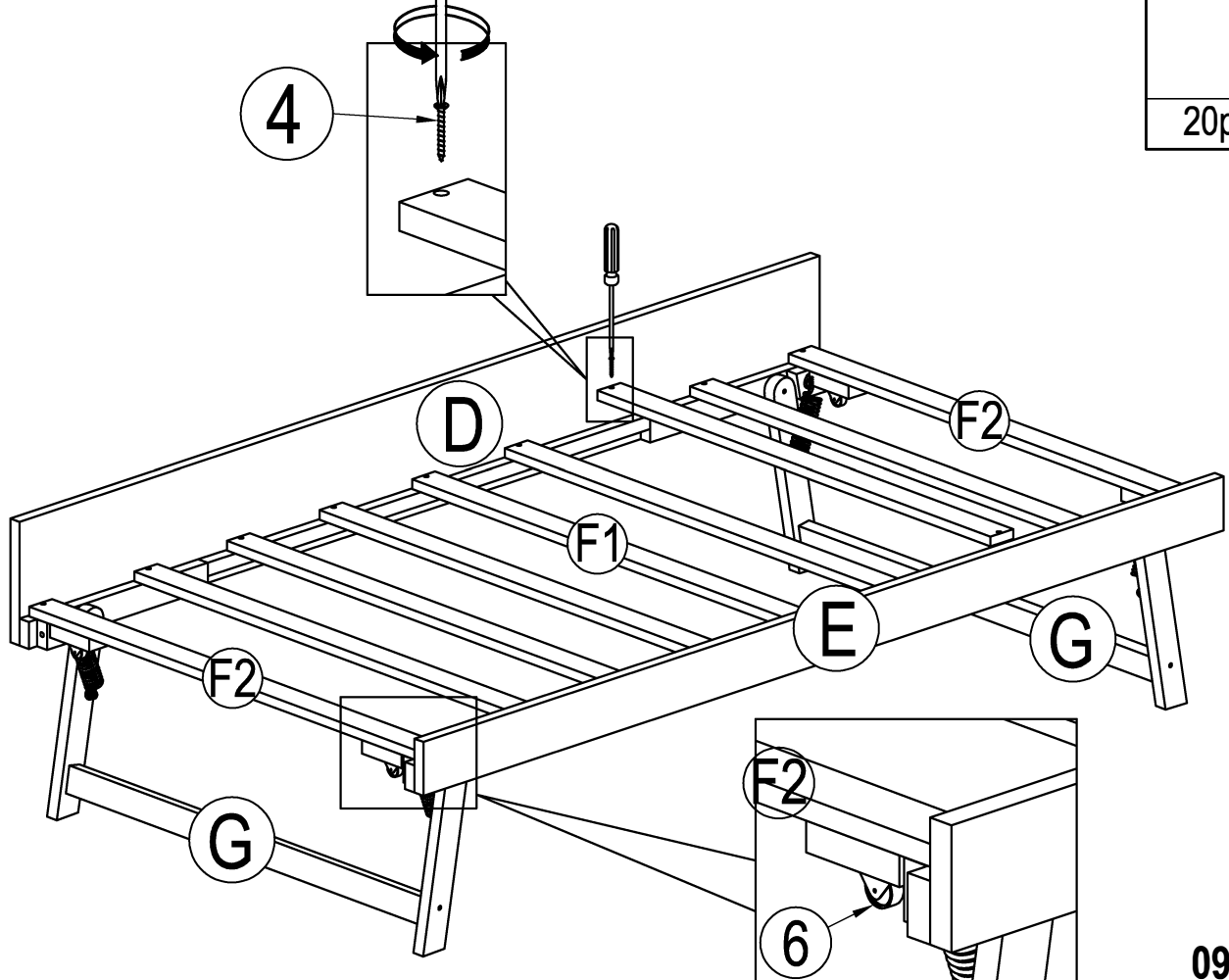
STEP 6-1: Following below illustration:

| | |
|---|---|
| 3 | 5 |
|  |  |
| 4pcs | 4pcs |





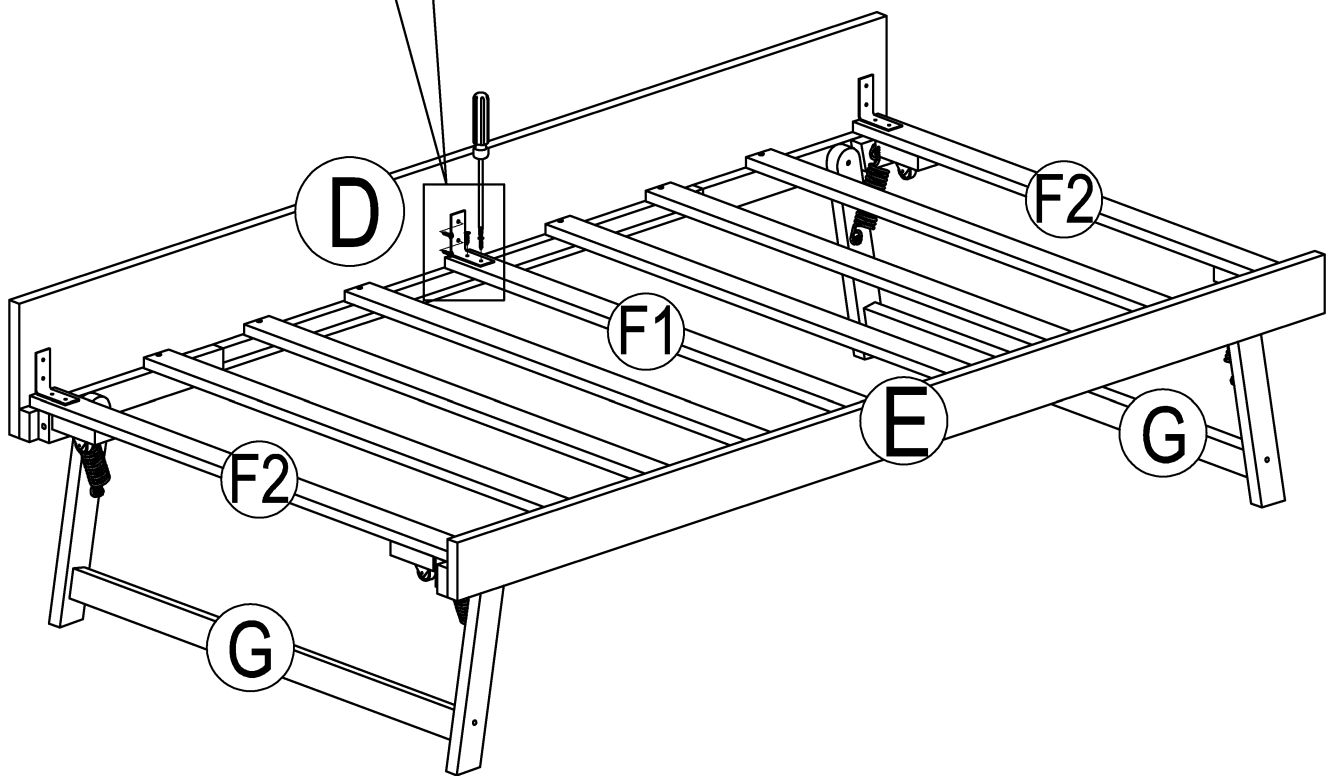
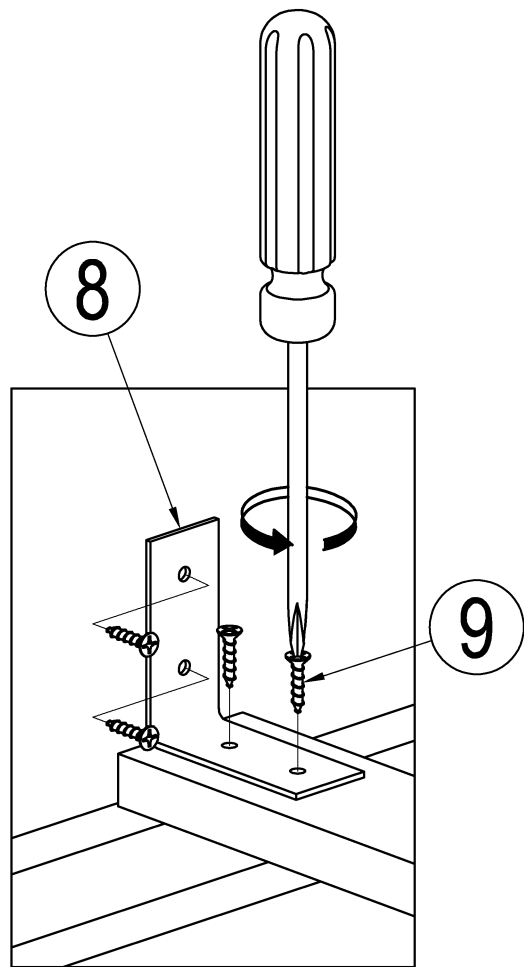
STEP 6-2: Following below illustration:

| |
|---|
| 4 |
|  |
| 20pcs |



STEP 7: Following below illustration:

| | | | |
|------|--|-------|--|
| 8 |  | 9 |  |
| 3pcs | | 12pcs | |



STEP 8: Following below illustration:

