

Assembly Instruction

① Screw
M4 x 40 mm: 04 pcs



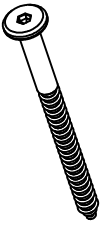
② Screw
M7 x 50 mm: 14 pcs



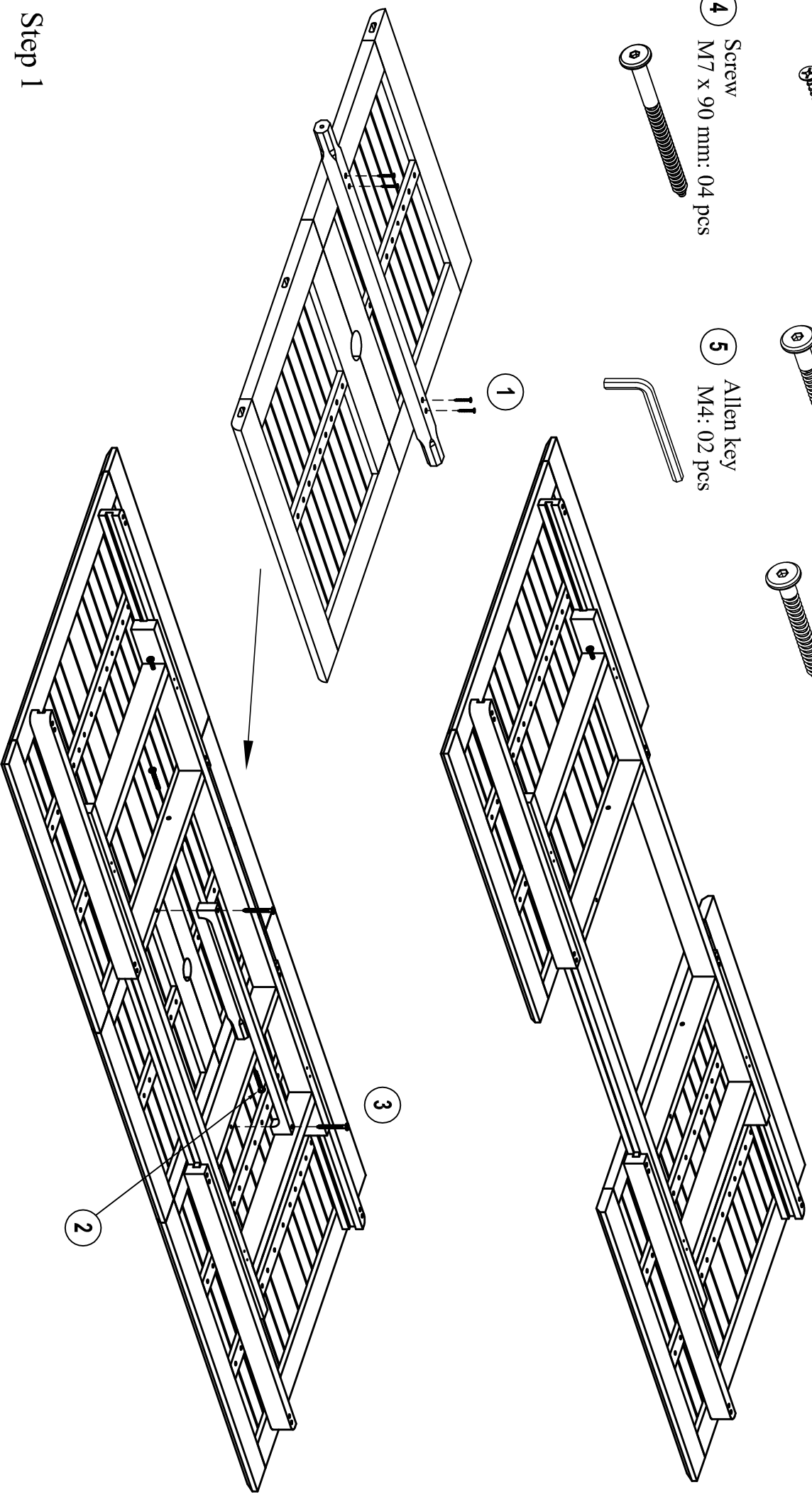
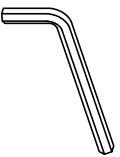
③ Screw
M7 x 70 mm: 02 pcs



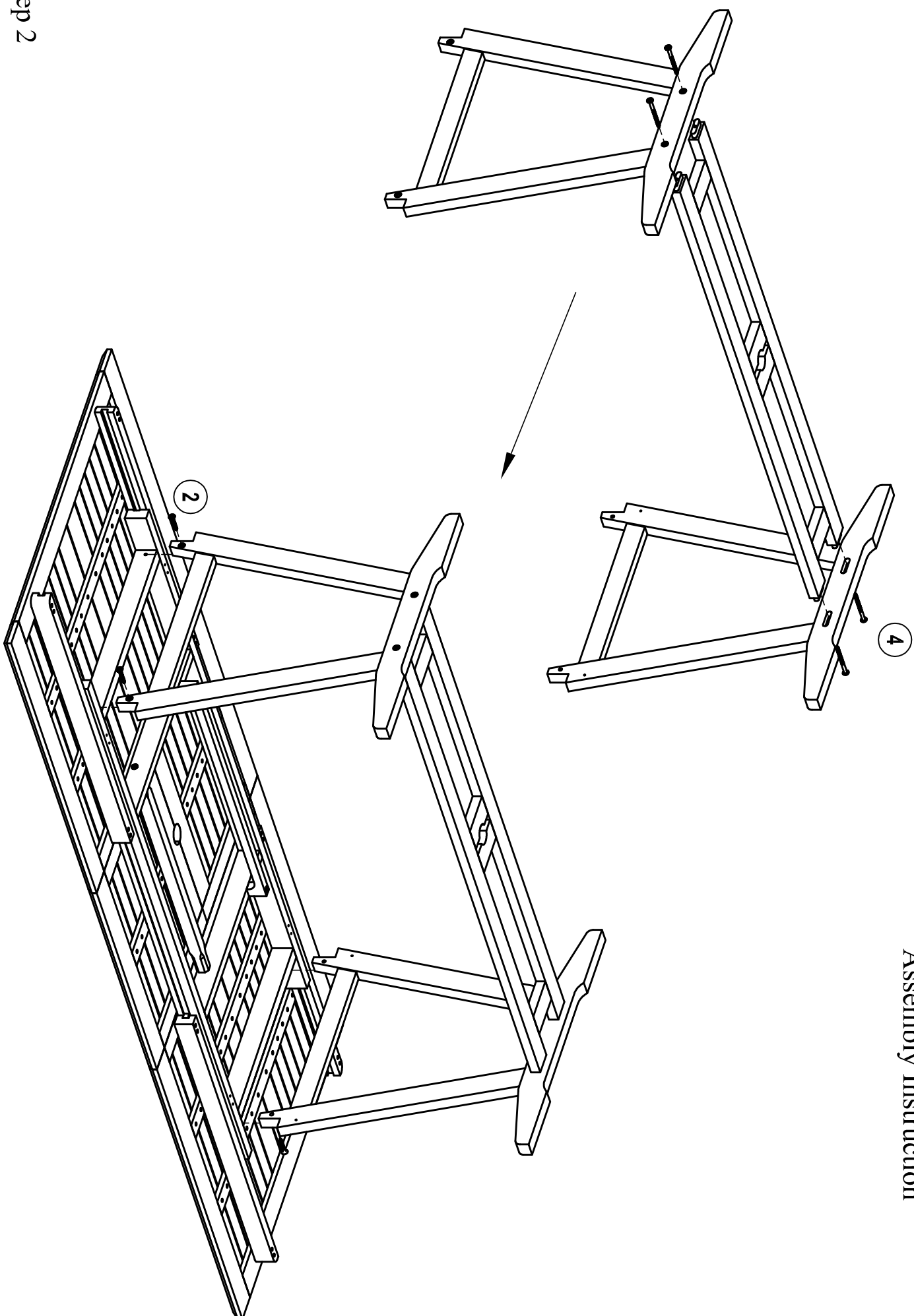
④ Screw
M7 x 90 mm: 04 pcs

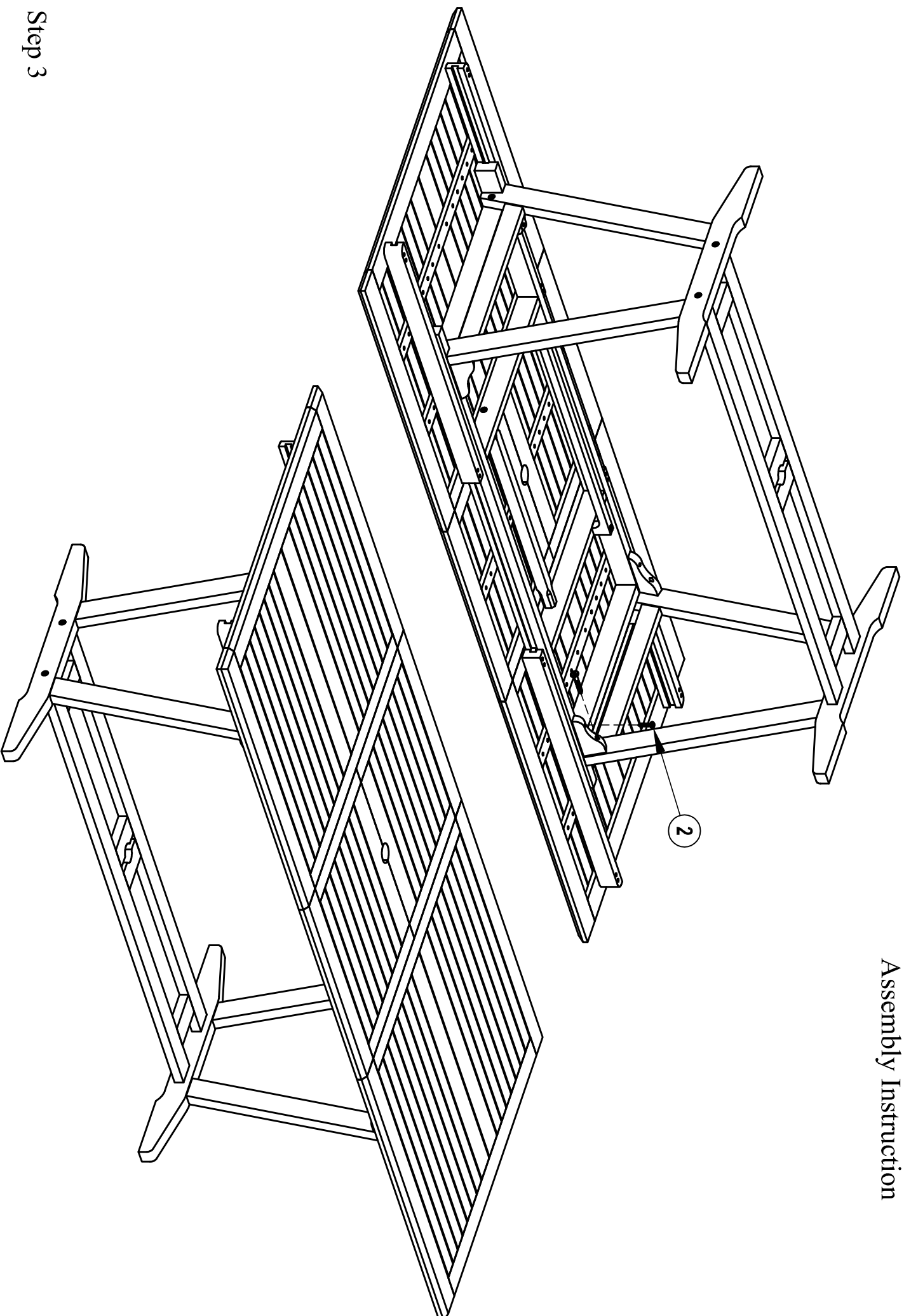


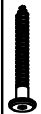


⑤ Allen key
M4: 02 pcs

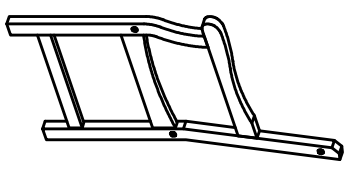
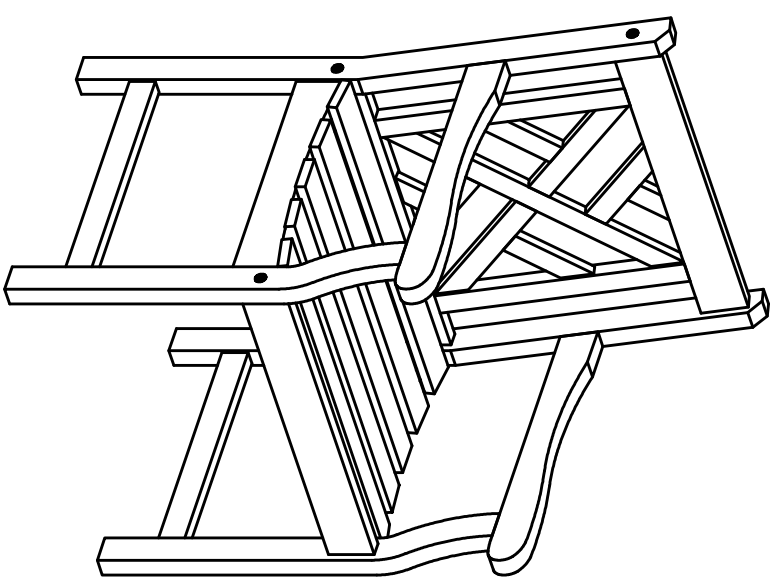
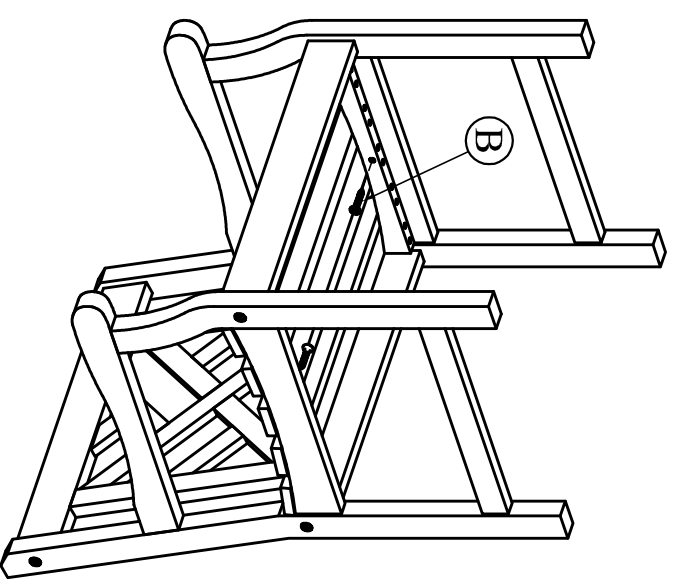
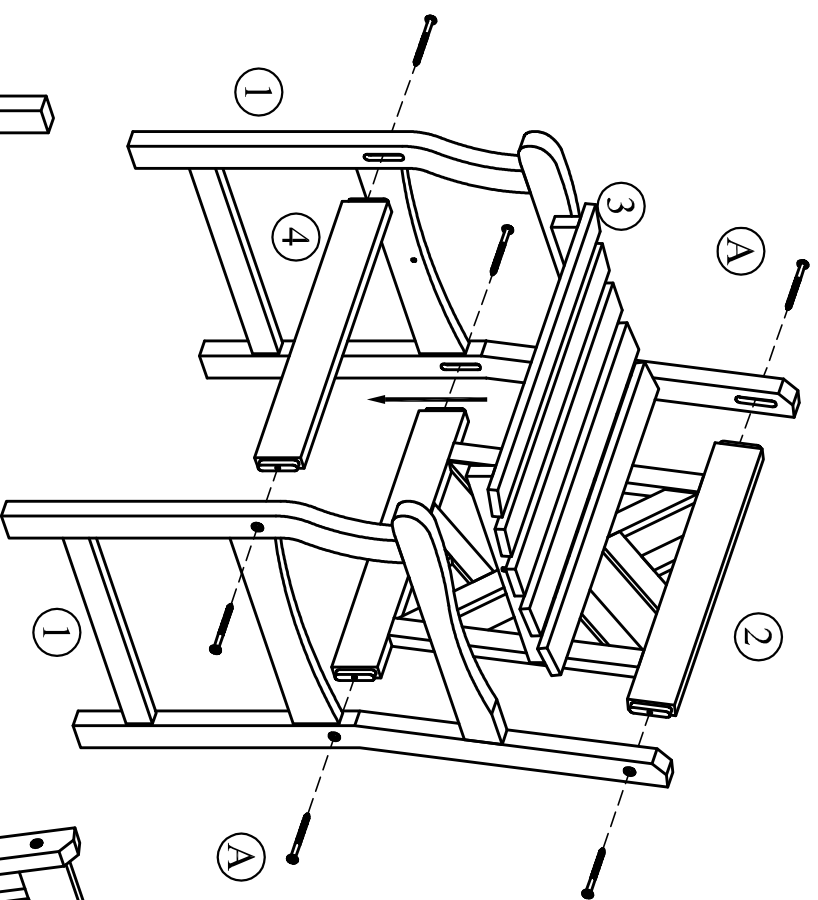


Step 1



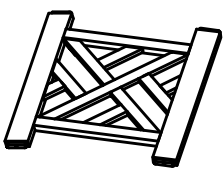


Item	Name	Qty	Describe
A	F - Screw 7x90	6	
B	F - Screw 7x40	2	
C	Allen Key	2	



QTY 2

①



QTY 1

②



QTY 1

③



QTY 1

④