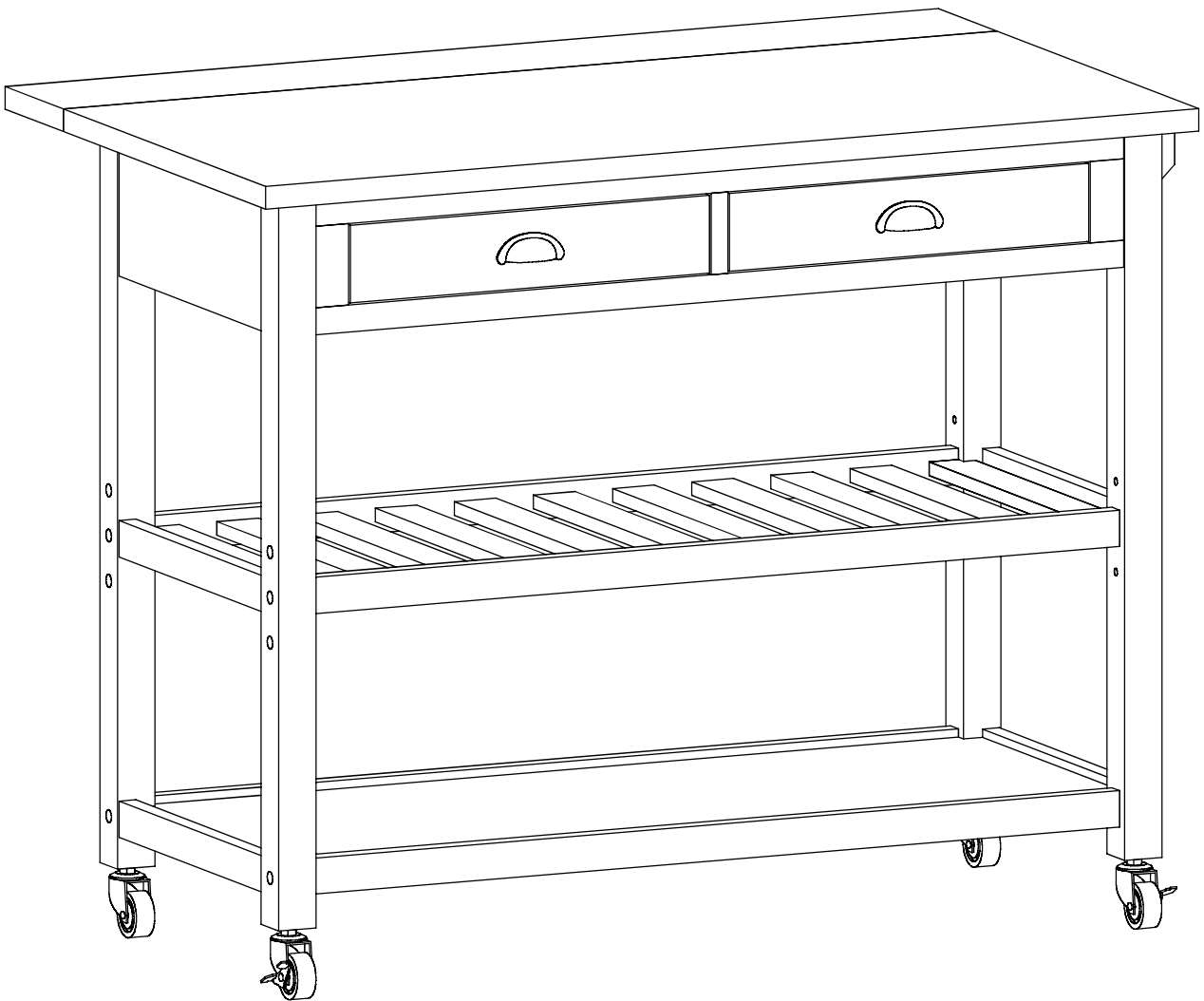


KITCHEN CART WITH DROP LEAF

ASSEMBLY INSTRUCTIONS





PLEASE READ ME FIRST



- Have questions about assembling your item?



- Item or parts damaged?



- Missing a part?

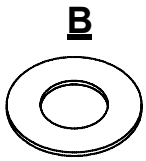


- We're here to help!

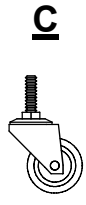
Phillips
Screwdriver
(Not provided)



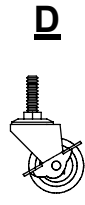
16 PCS



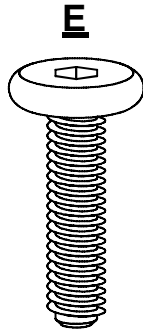
8 PCS



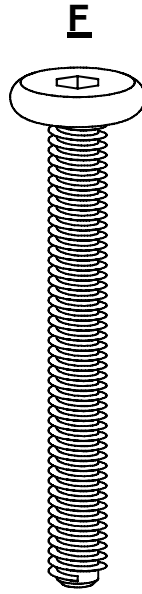
2 PCS



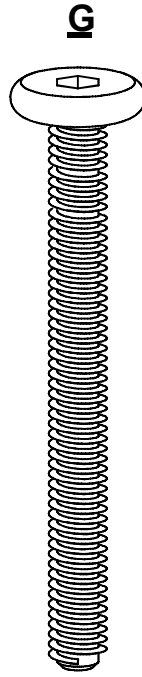
2 PCS



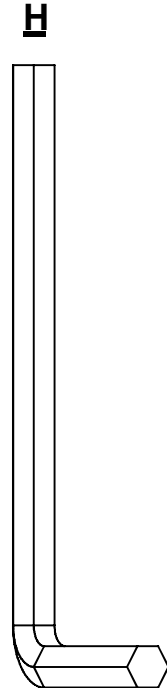
4 PCS



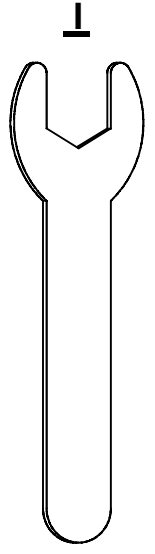
8 PCS



8 PCS

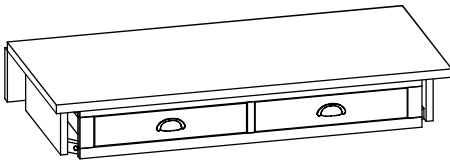


1 PC

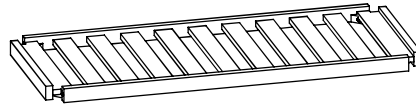


1 PC

1



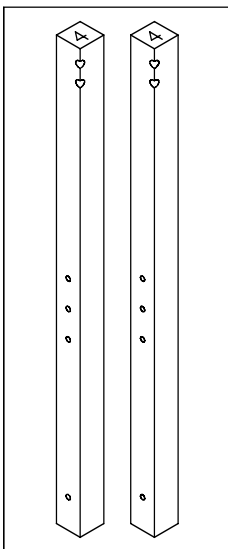
2



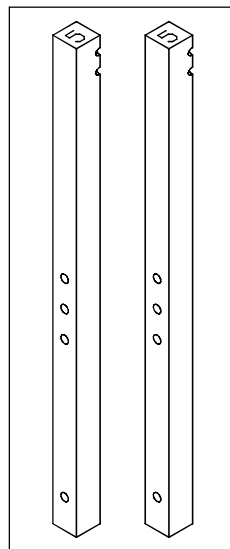
3



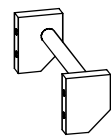
4



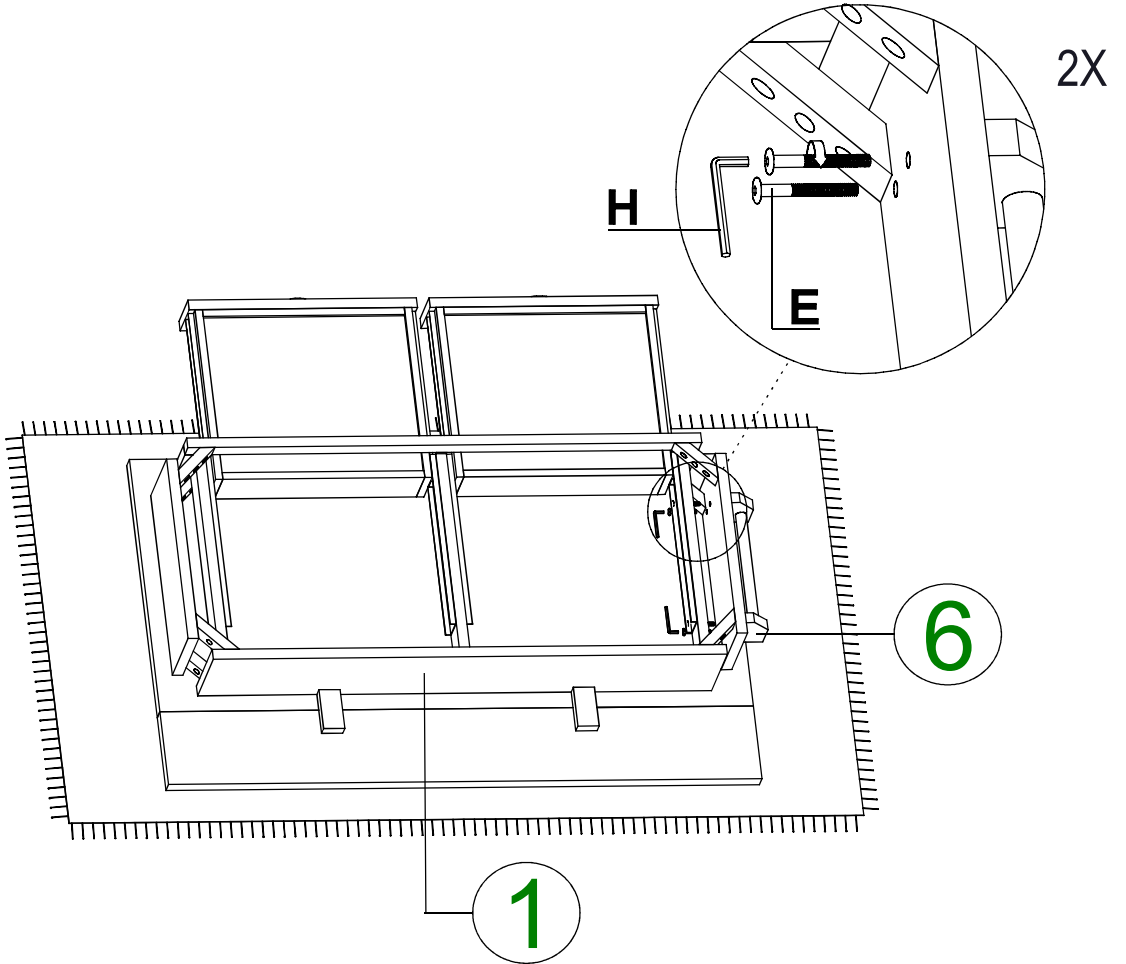
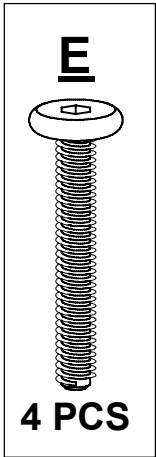
5



6

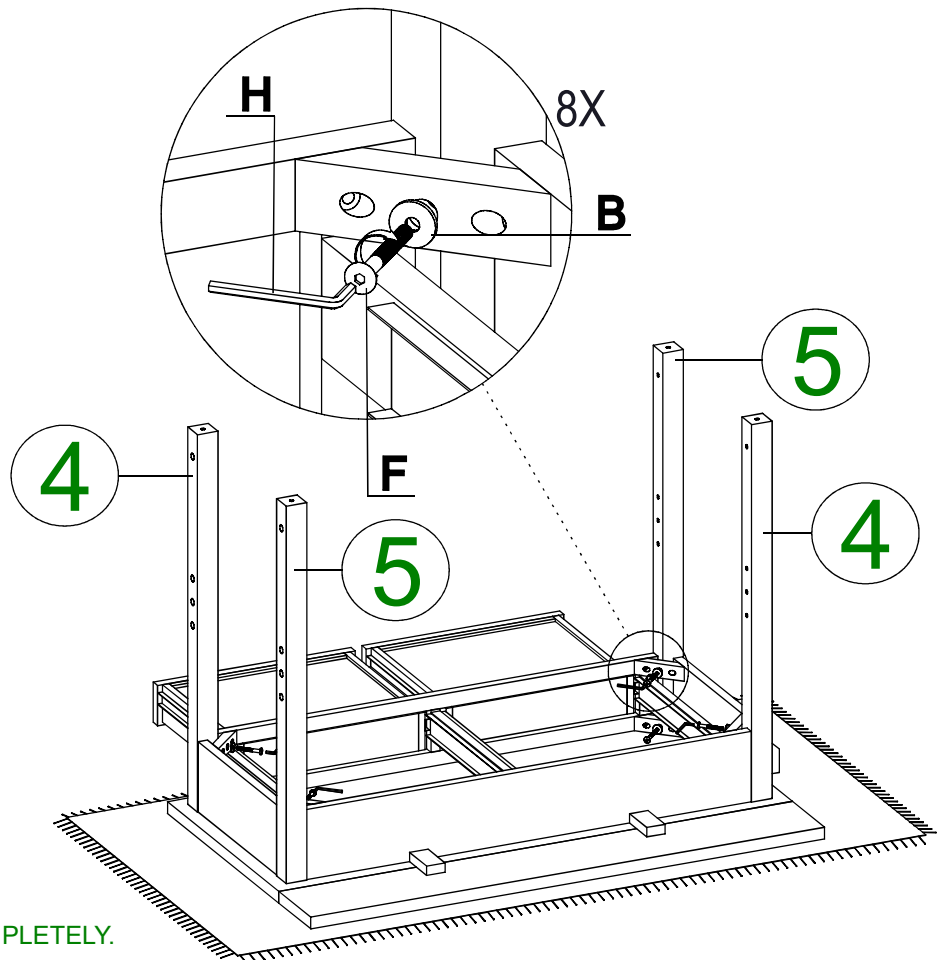
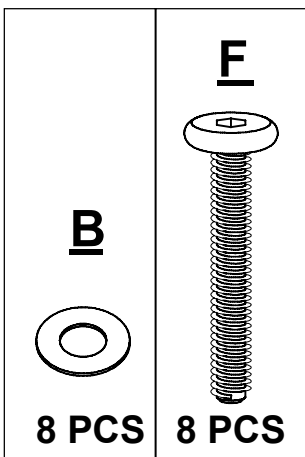


01



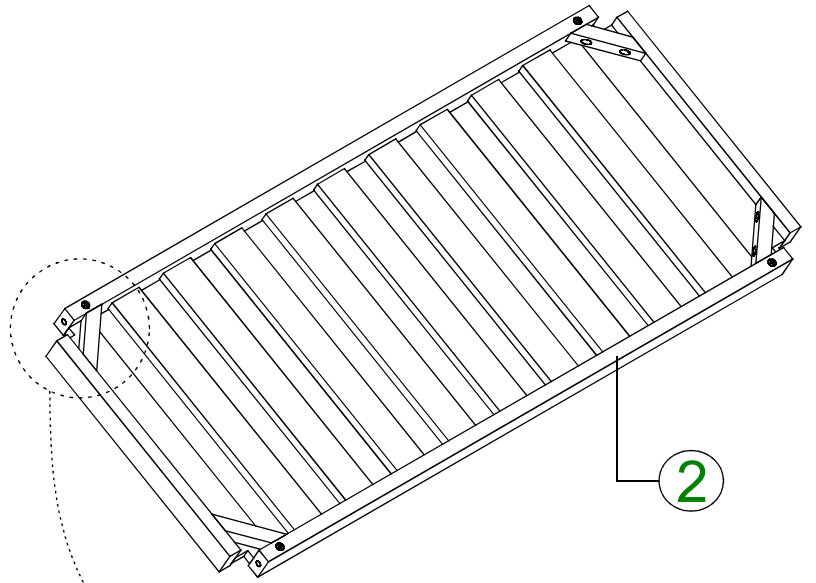
TIGHTEN BOLT COMPLETELY.

02

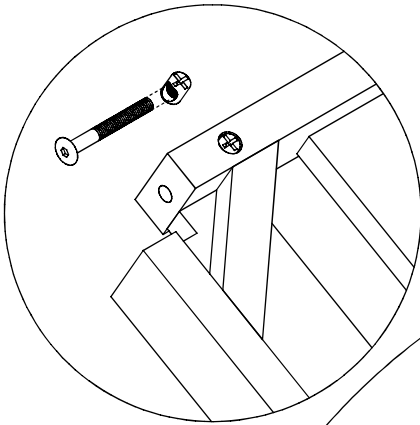


DO NOT TIGHTEN BOLT COMPLETELY.

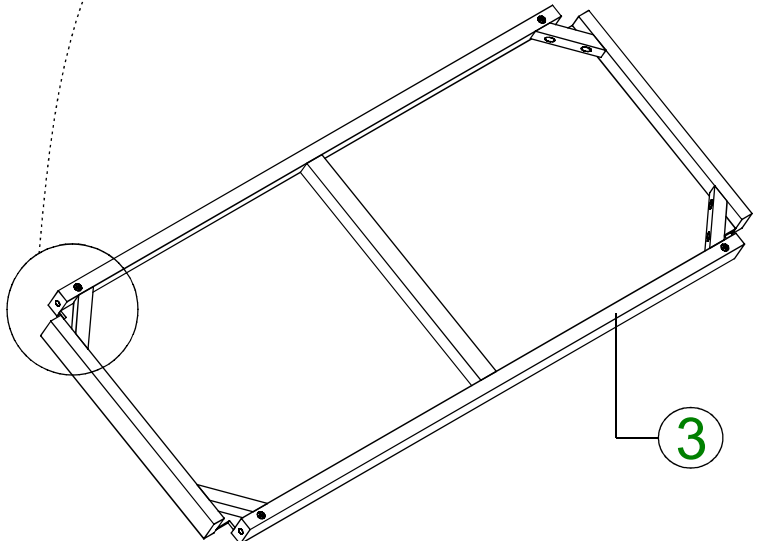
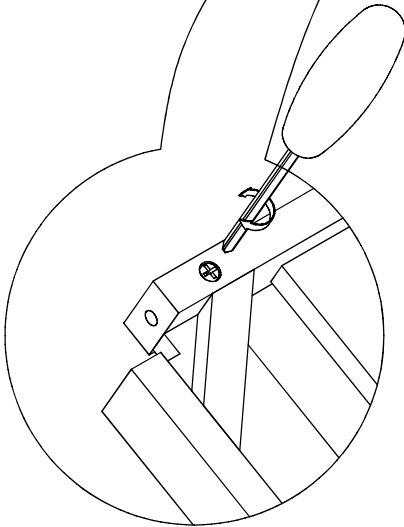
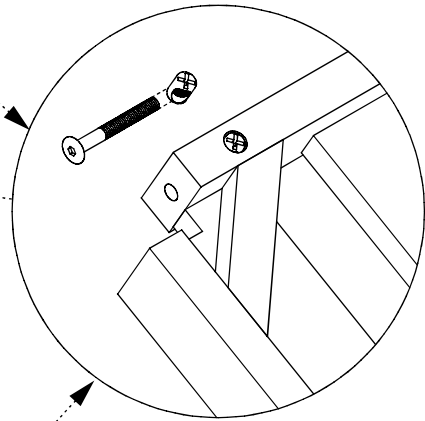
03



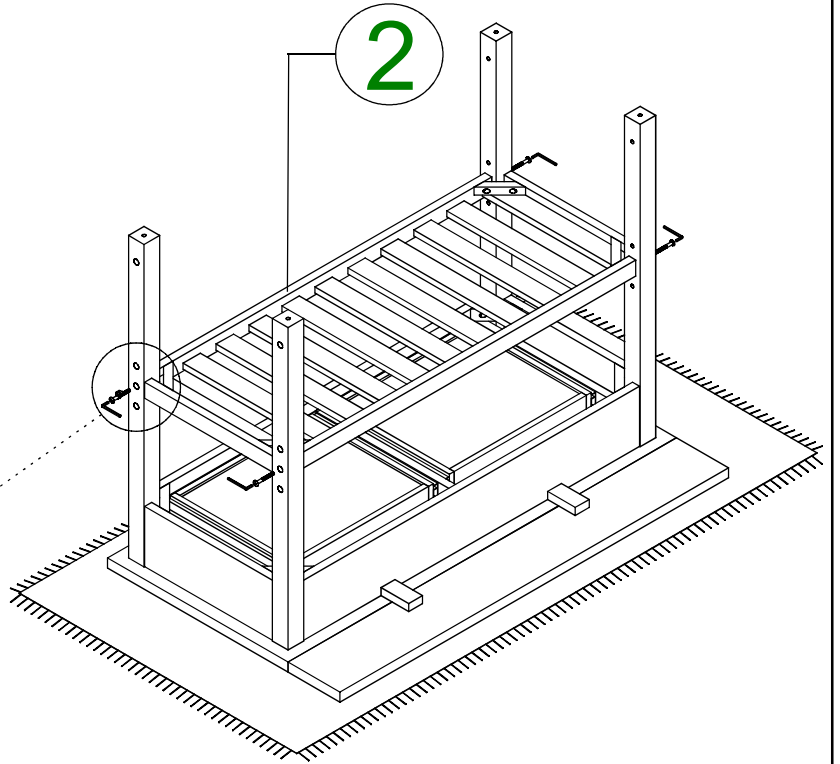
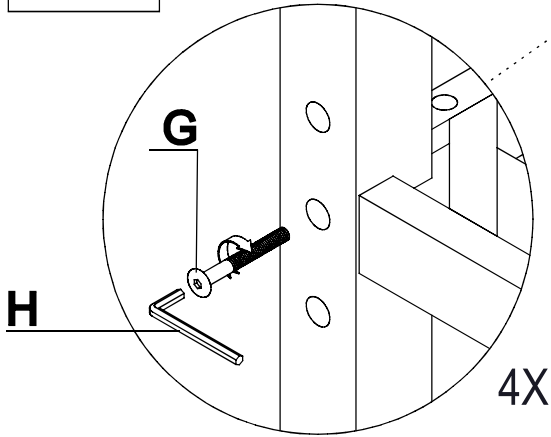
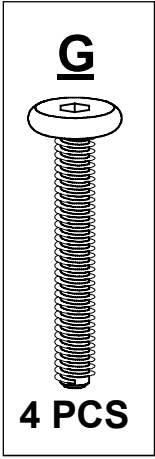
ok



X

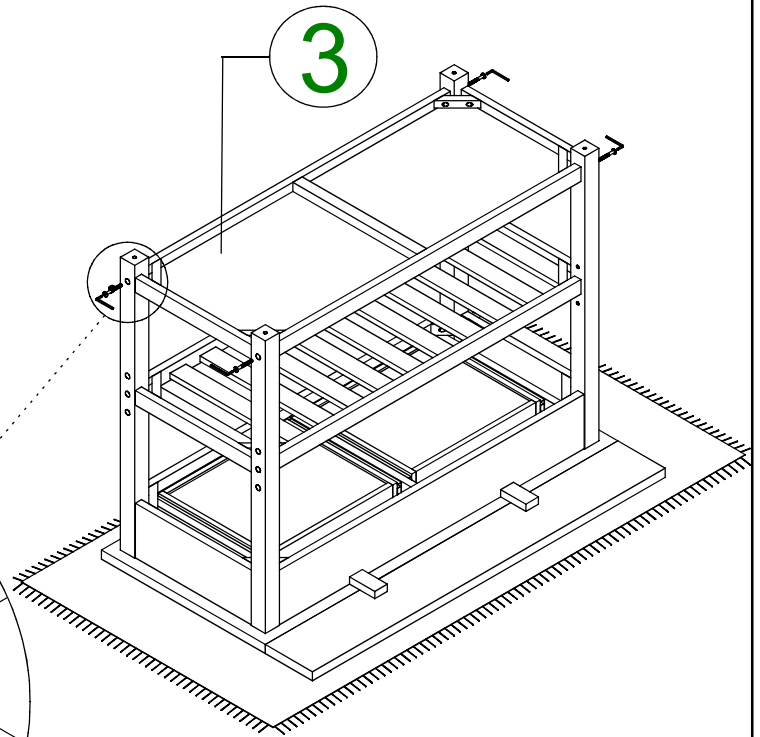
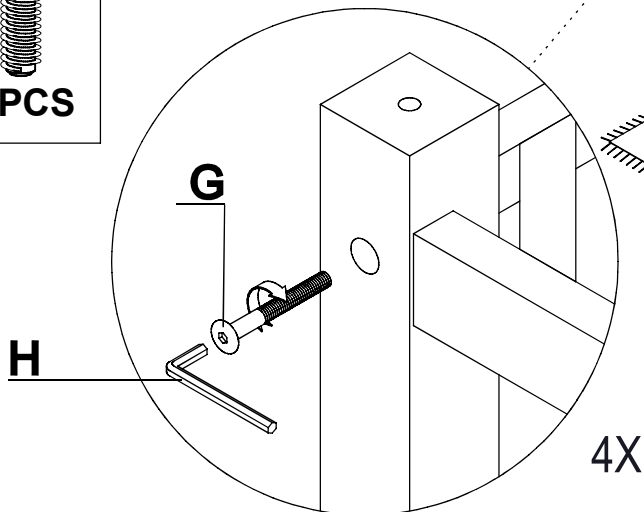
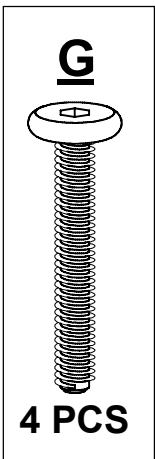


04



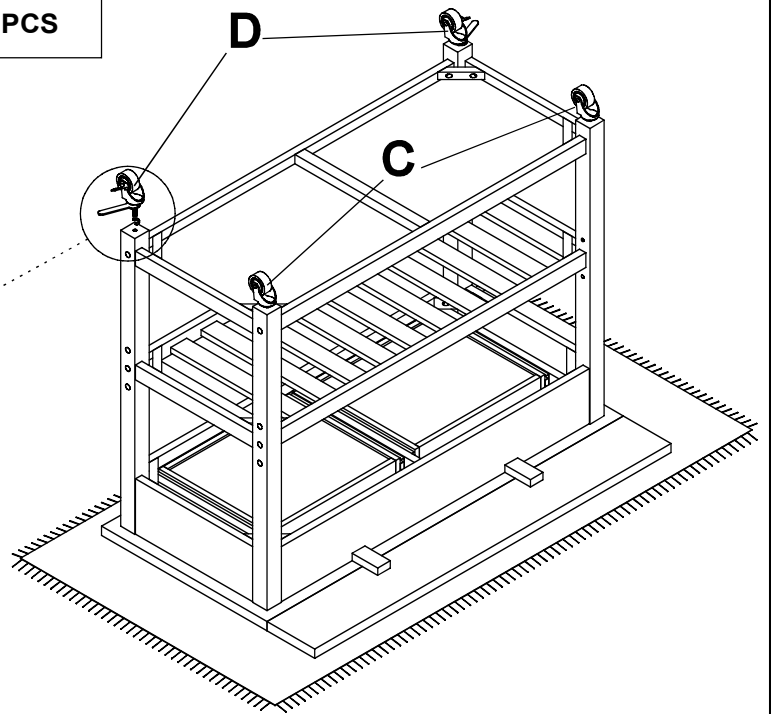
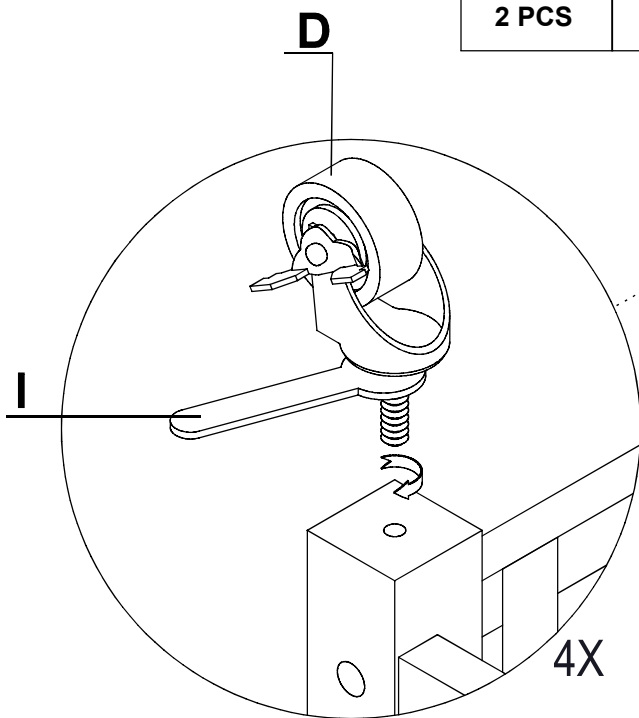
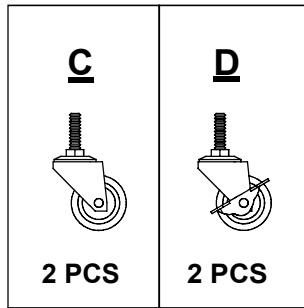
TIGHTEN BOLT COMPLETELY.

05



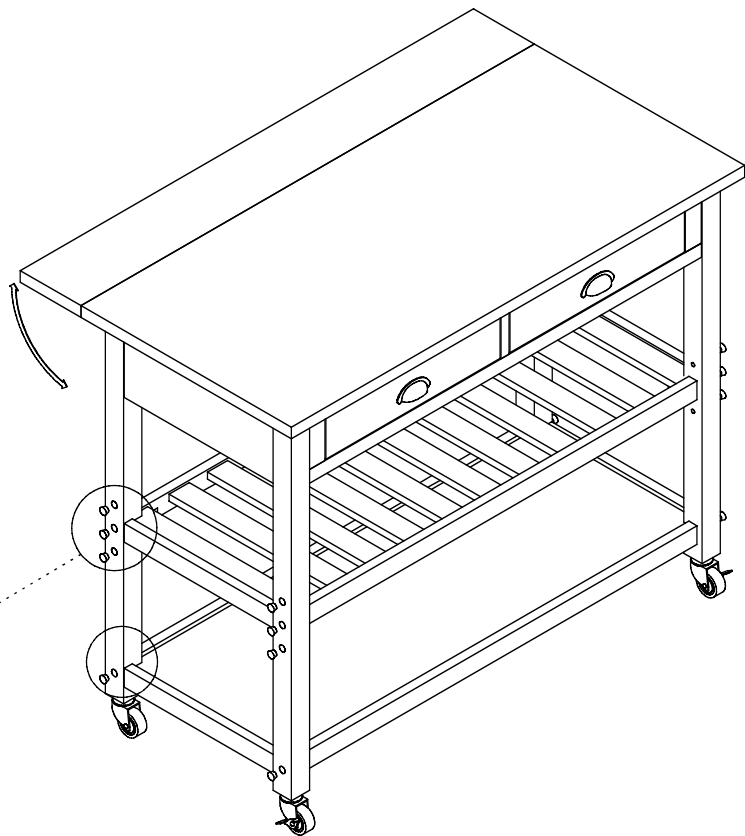
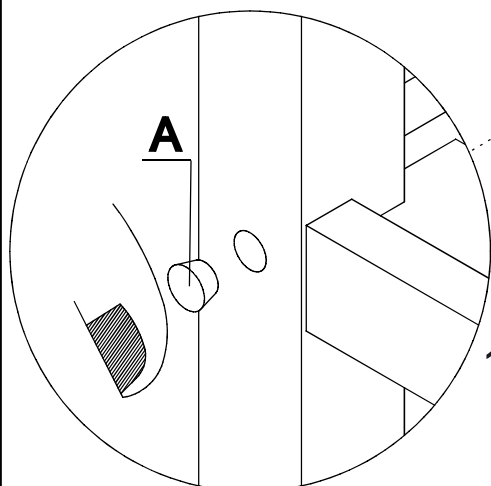
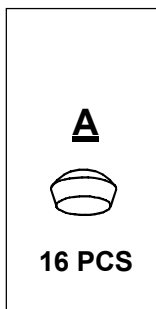
TIGHTEN BOLT COMPLETELY.

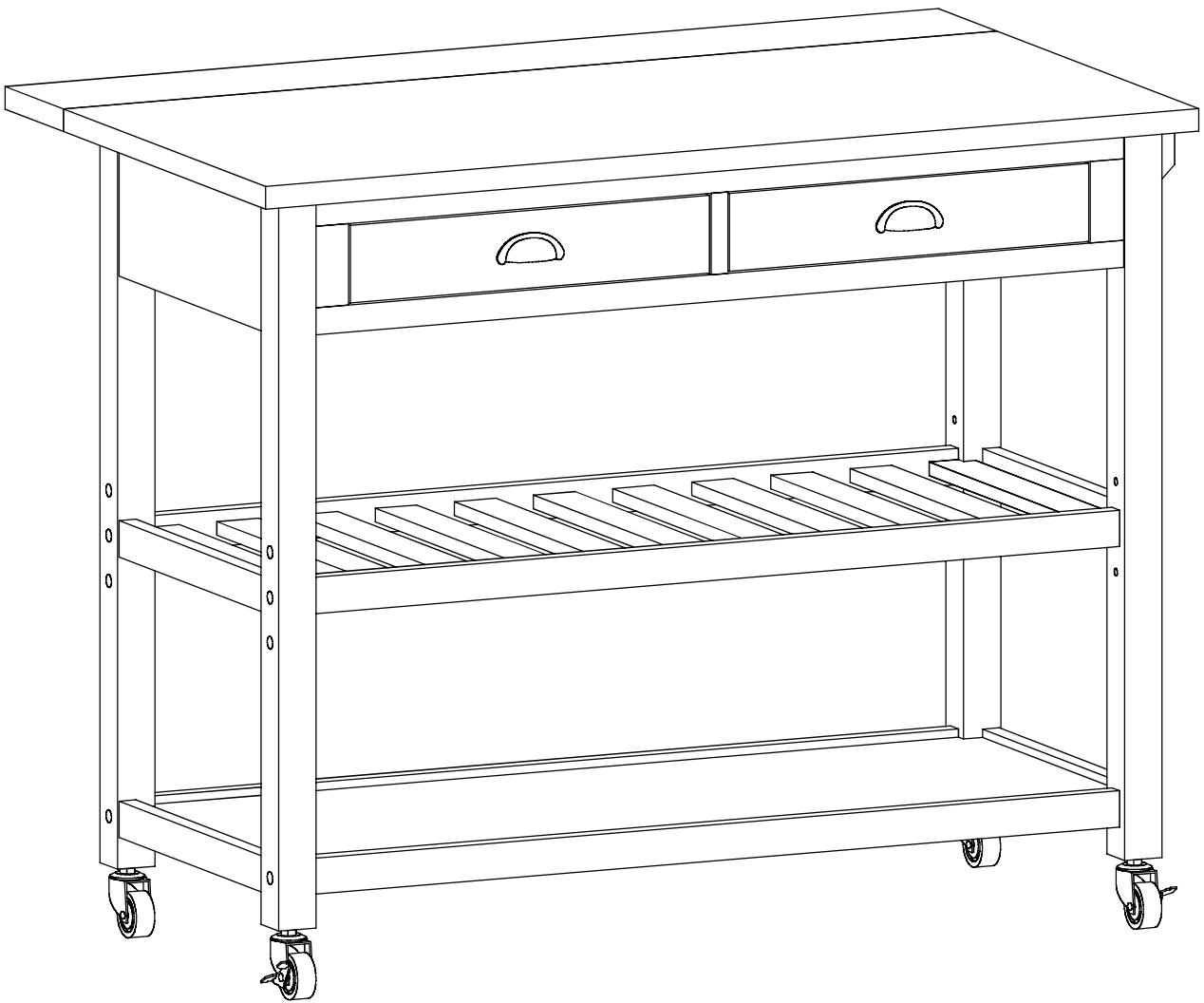
06



TIGHTEN BOLT COMPLETELY.

07





BE SURE TO CHECK ALL BOLTS ARE SECURELY
TIGHTENED PRIOR USING THIS CART.