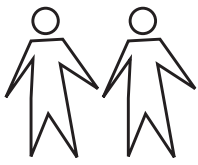


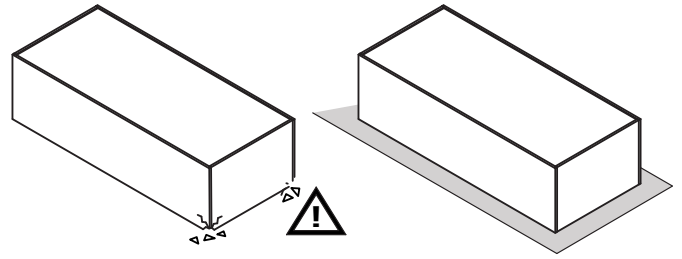
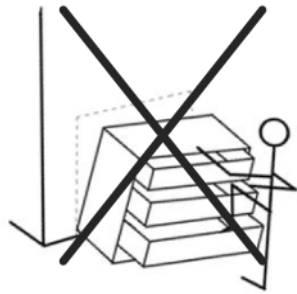
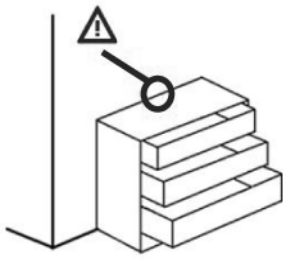
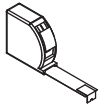
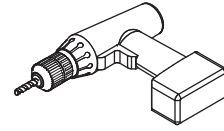
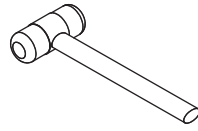
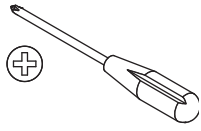
86

160

45



2h



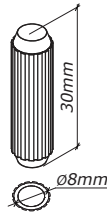
T28
x22



T99
x12



T98
x10



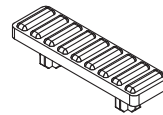
H1
x16



G142
x4



G136
x10



P6
x6



H113
x10



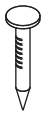
V13
x12



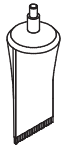
H2
x9



V5
x21



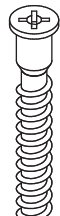
H15
x30



H14
x2



V137
x10



V45
x4



R1
x16



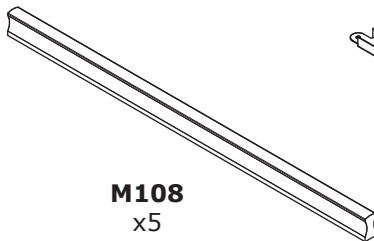
V10
x2



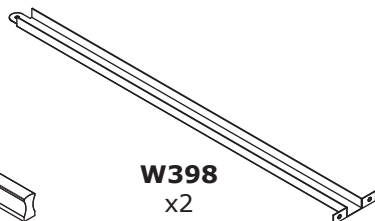
H106
x1



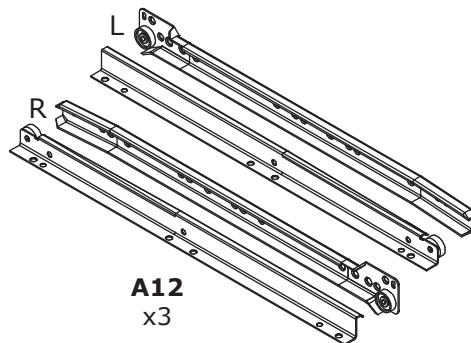
V98
x6



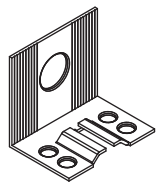
M108
x5



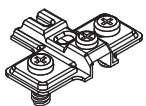
W398
x2



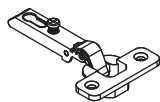
A12
x3



H16
x1



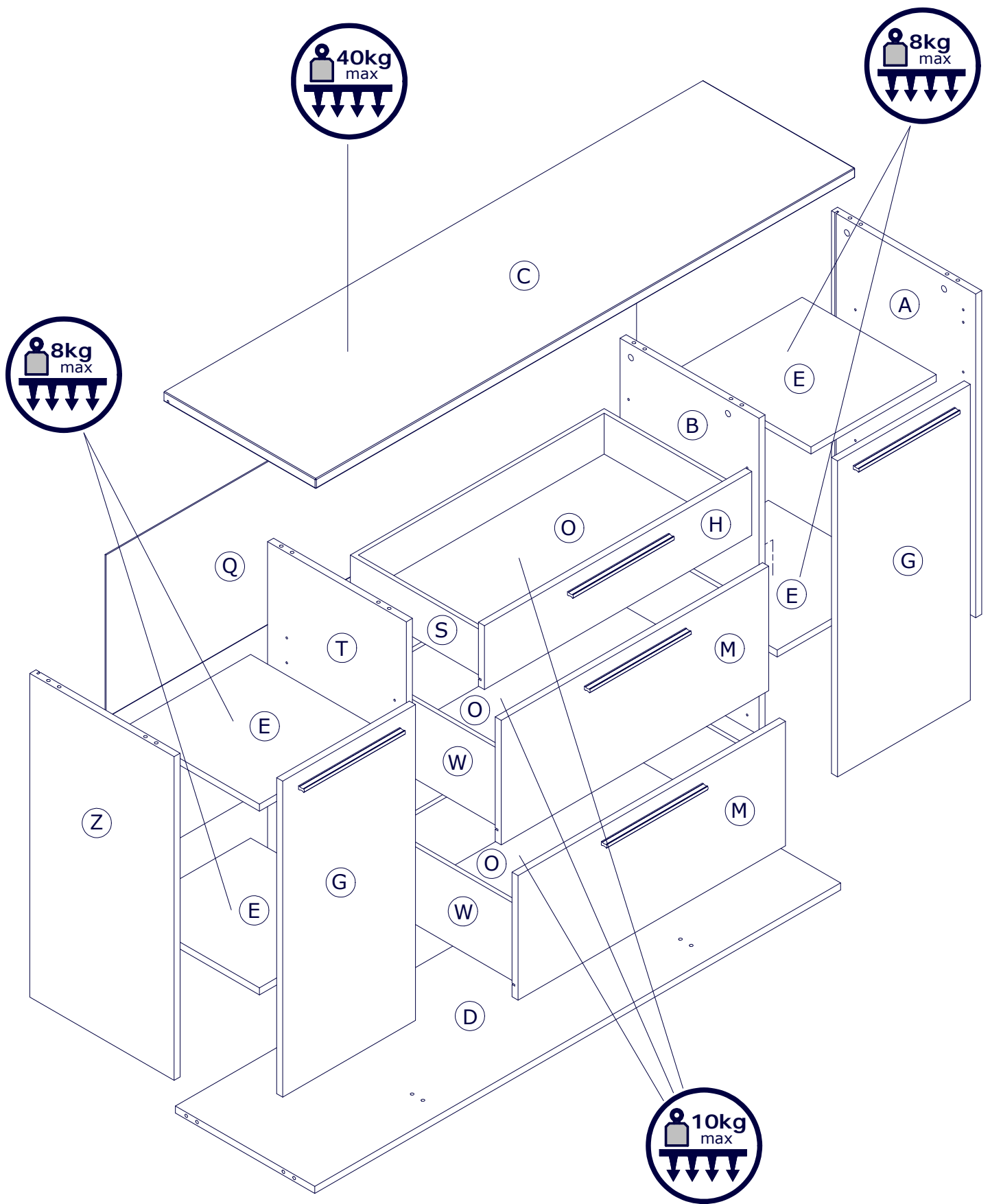
B9
x4

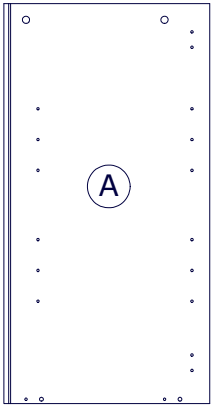


C1
x4

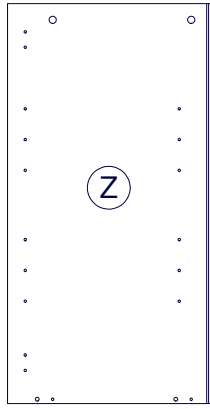


V5
x8

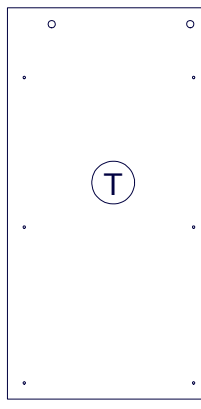




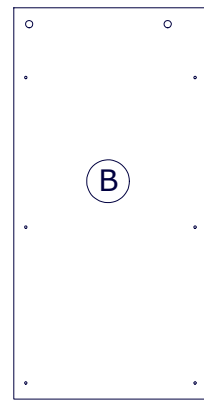
• **FI7120**
832x428x18mm



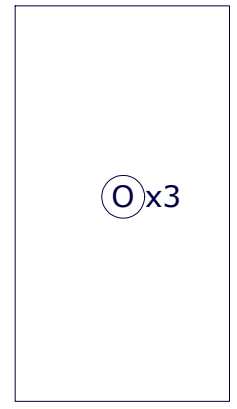
• **FI7121**
832x428x18mm



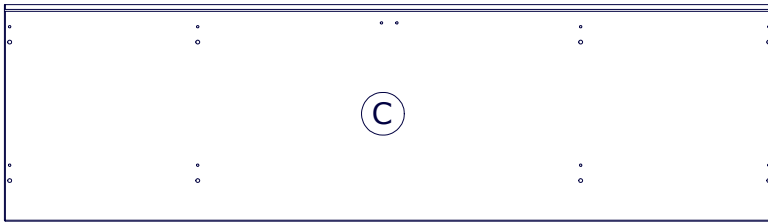
• **TR1735**
814x412x18mm



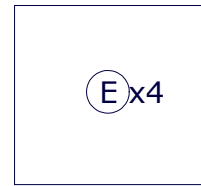
• **TR1736**
814x412x18mm



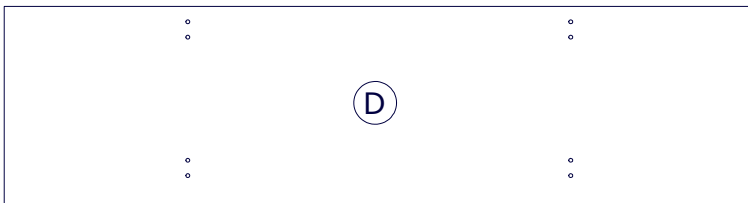
• **SH2546**
740x401x3mm



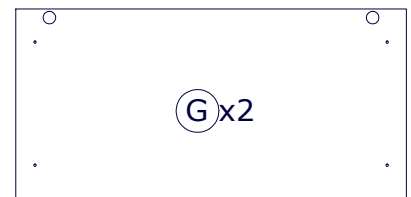
• **CA2906**
1600x450x25mm



• **PI6003**
372x398x18mm



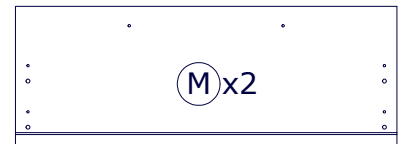
• **PI6002**
1560x413x18mm



• **AN2198**
812x394x18mm



• **SH2648**
1574x873x3mm



• **CS2372**
793x320x18mm



• **CS2374**
793x164x18mm

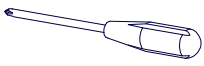


• **OF0283**
400x753x400 H.200mm



• **OF0313**
400x753x400 H.118mm

1



6x

H113

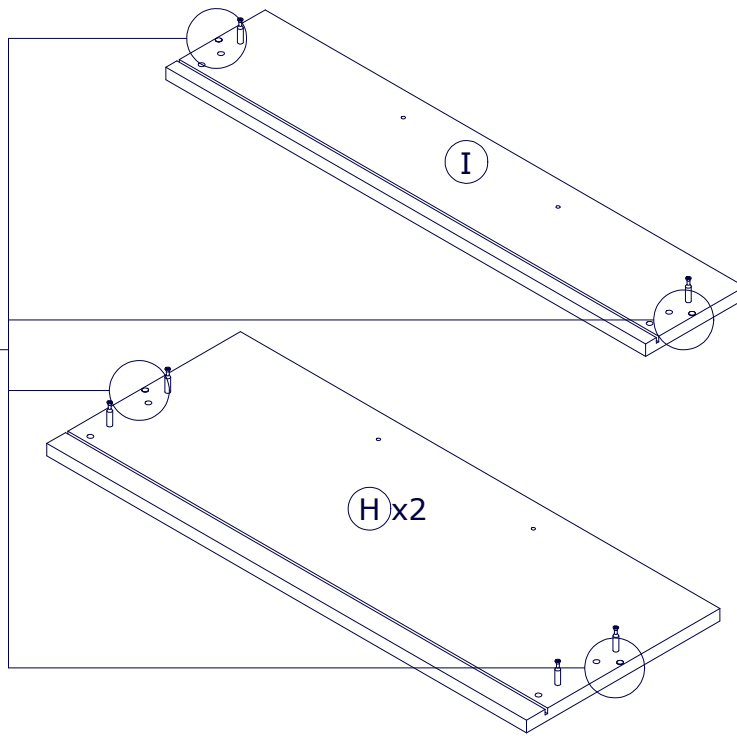
I

H

x2

10x

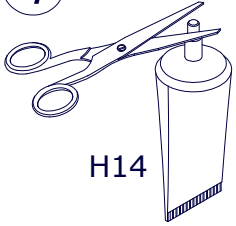
T28



2

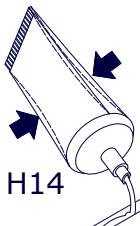


1

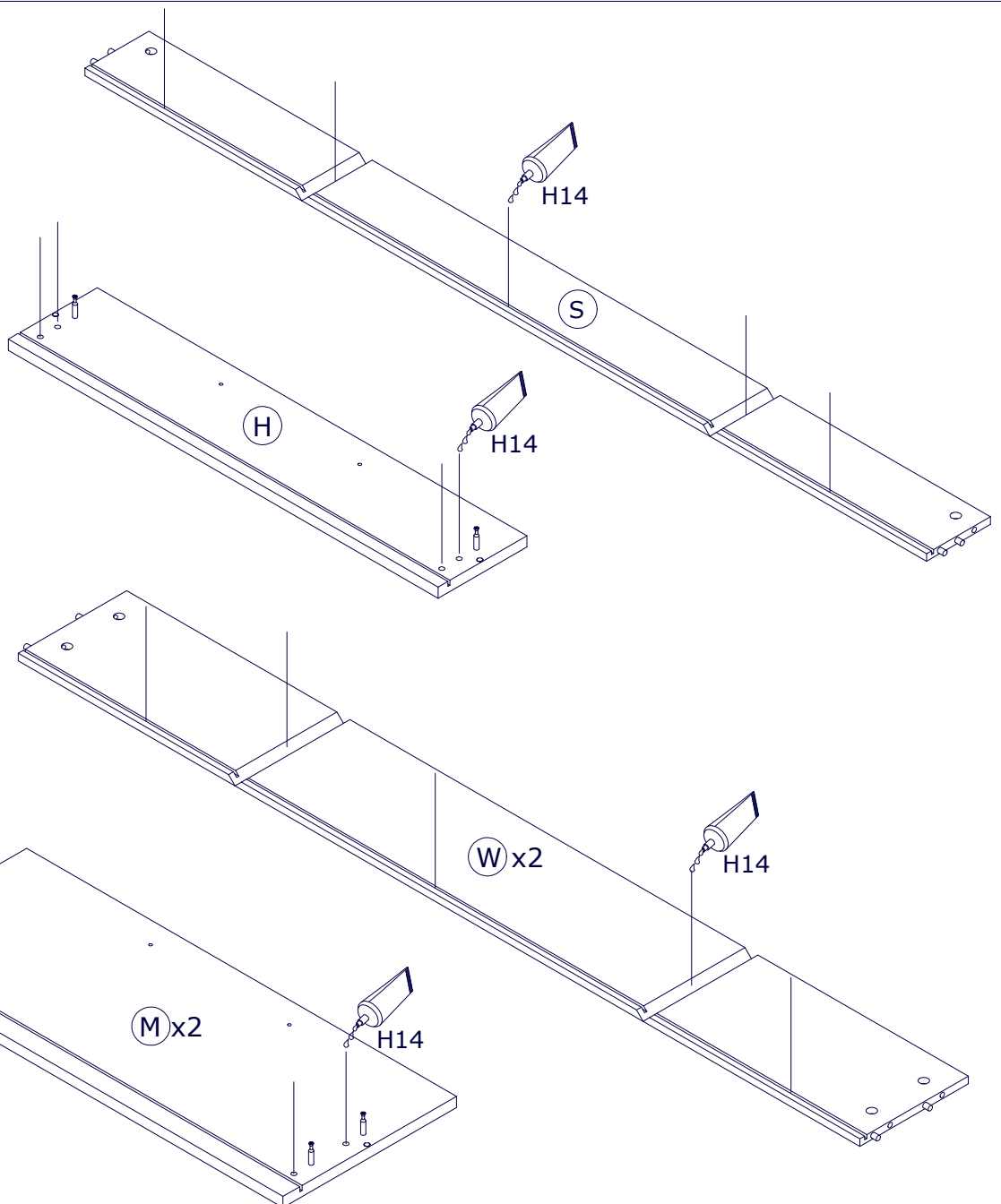


H14

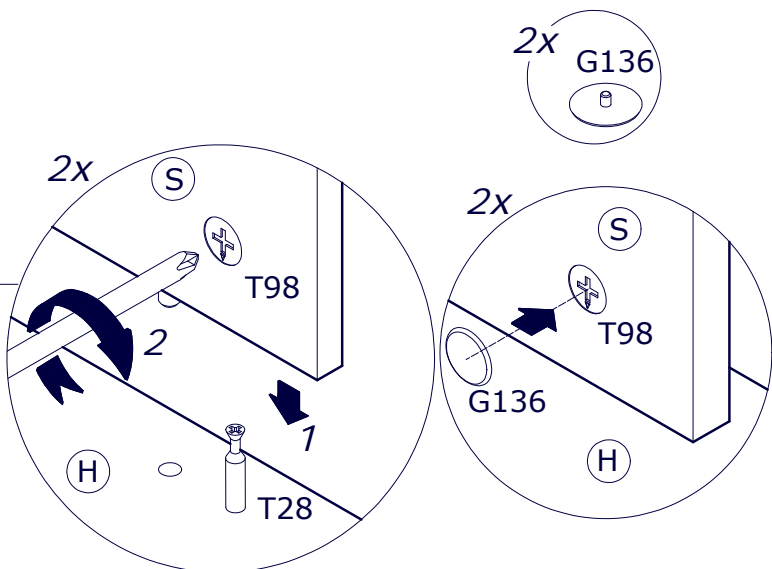
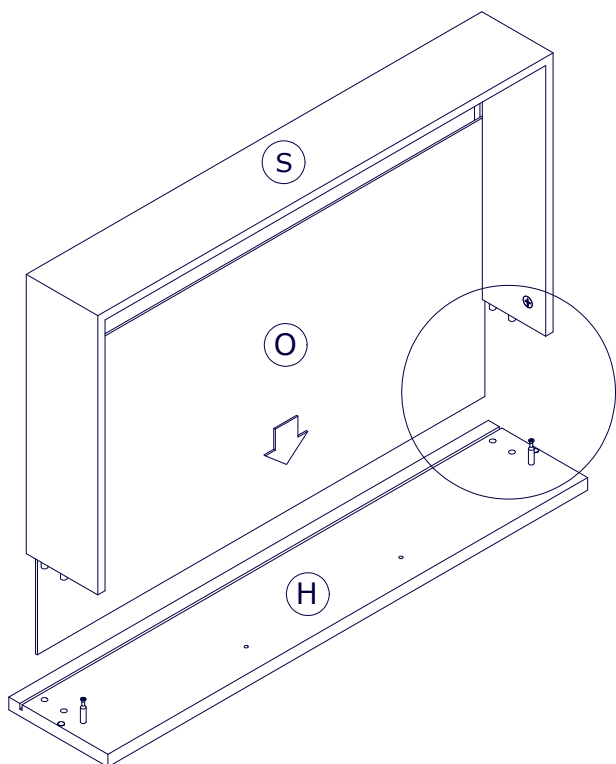
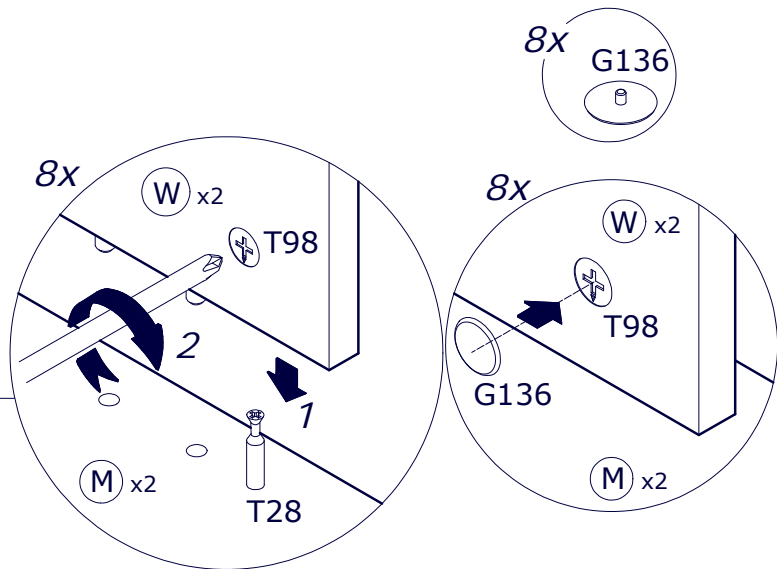
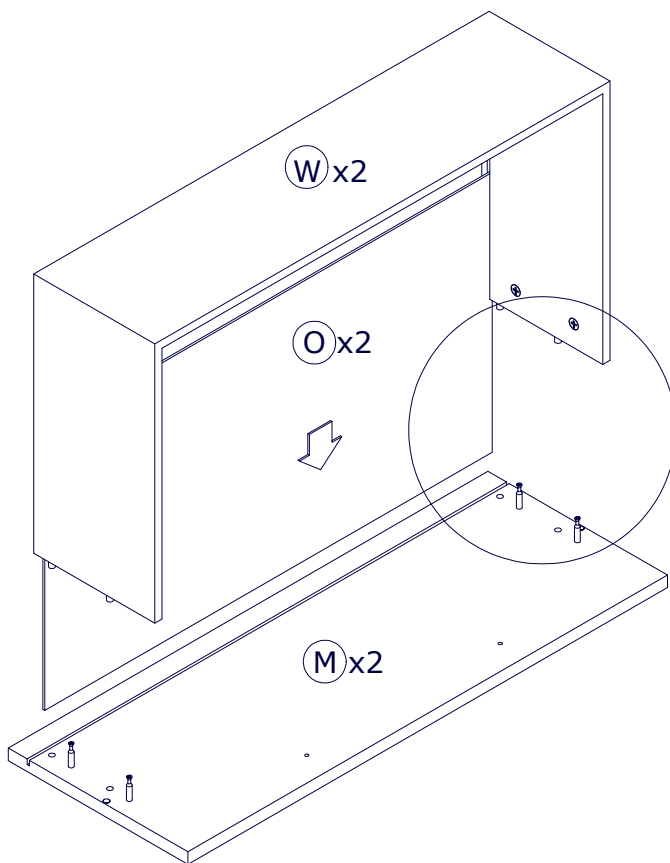
2



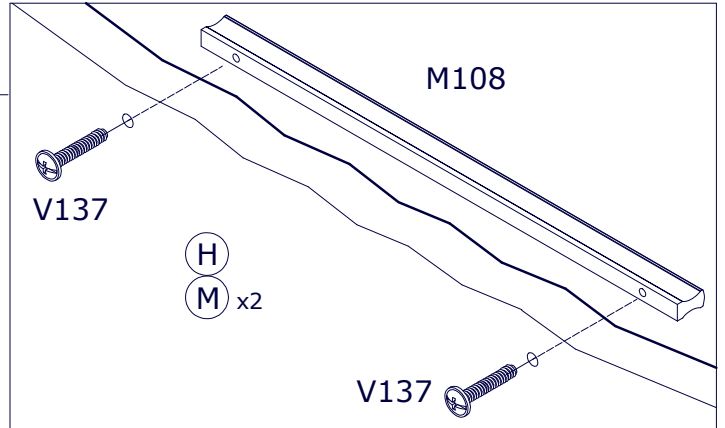
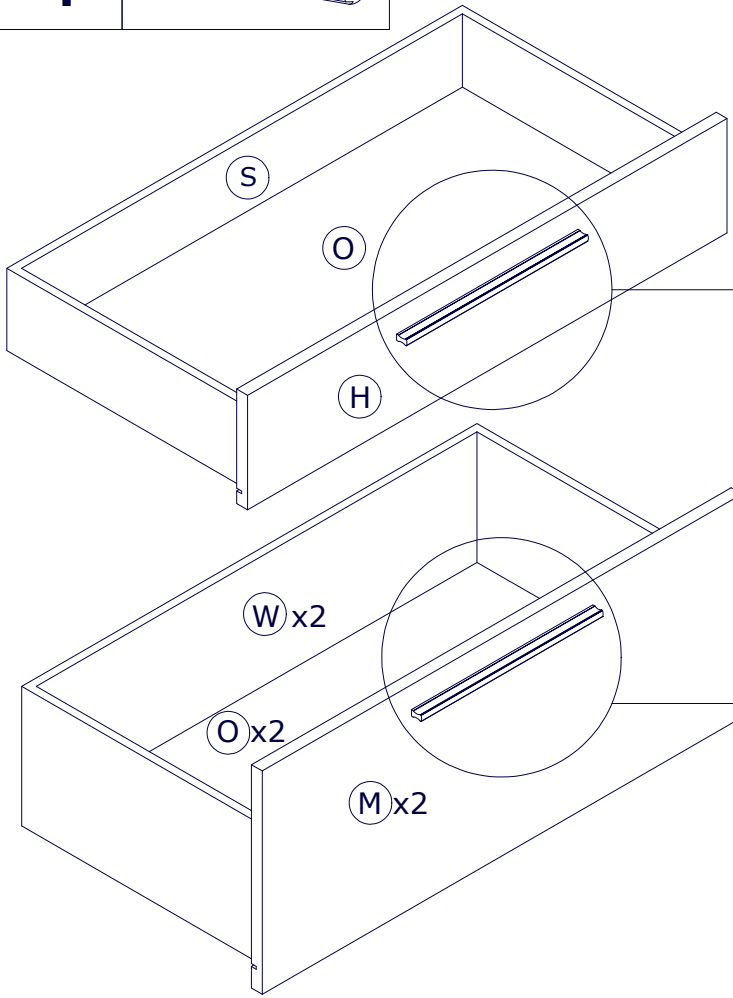
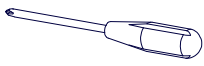
H14



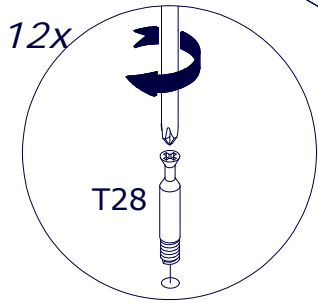
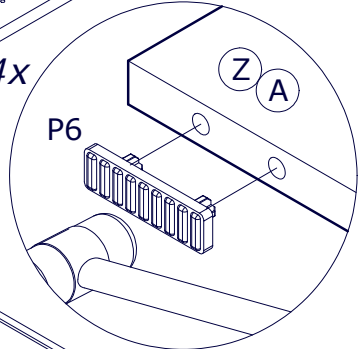
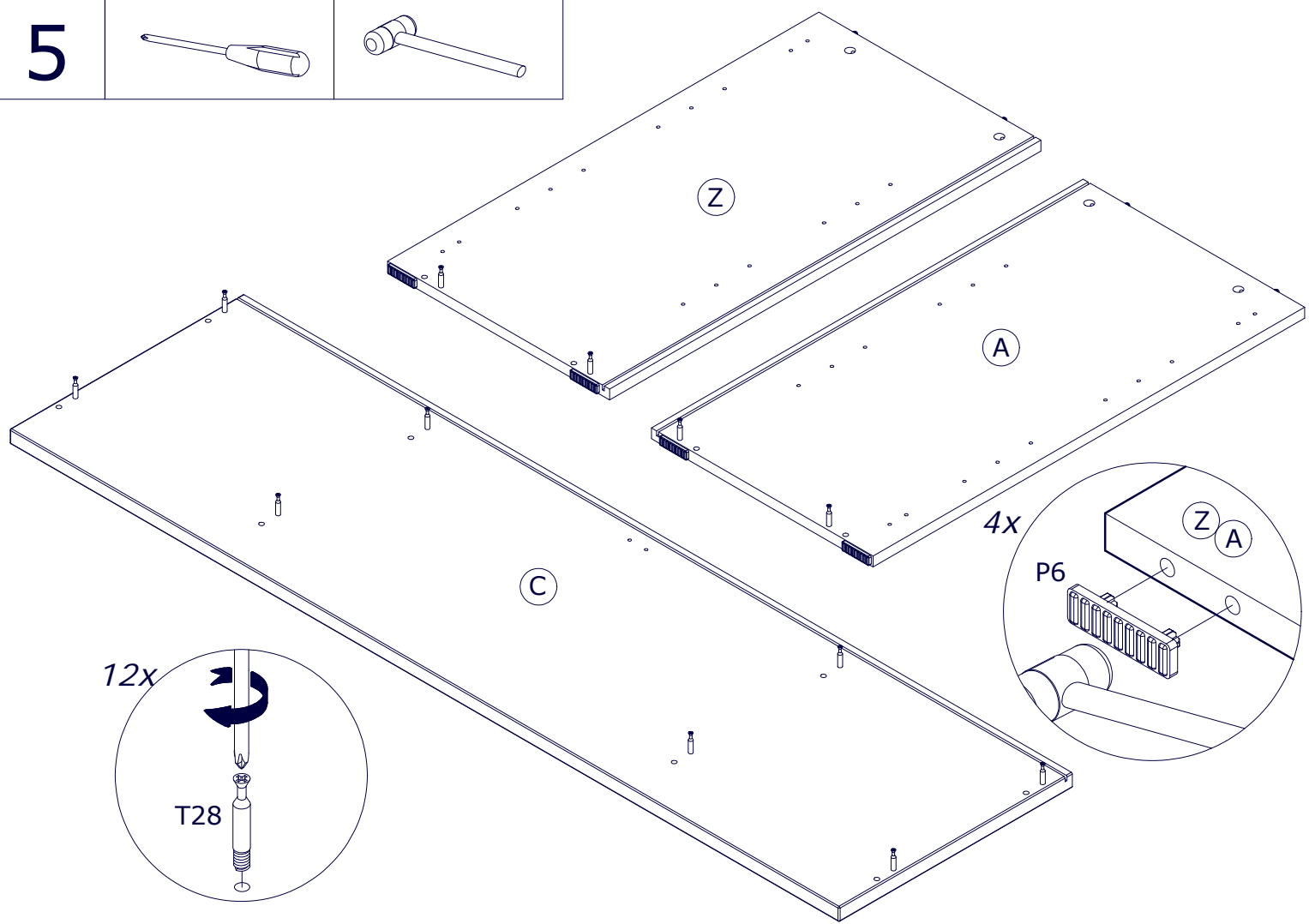
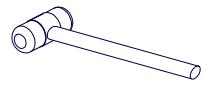
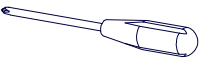
3



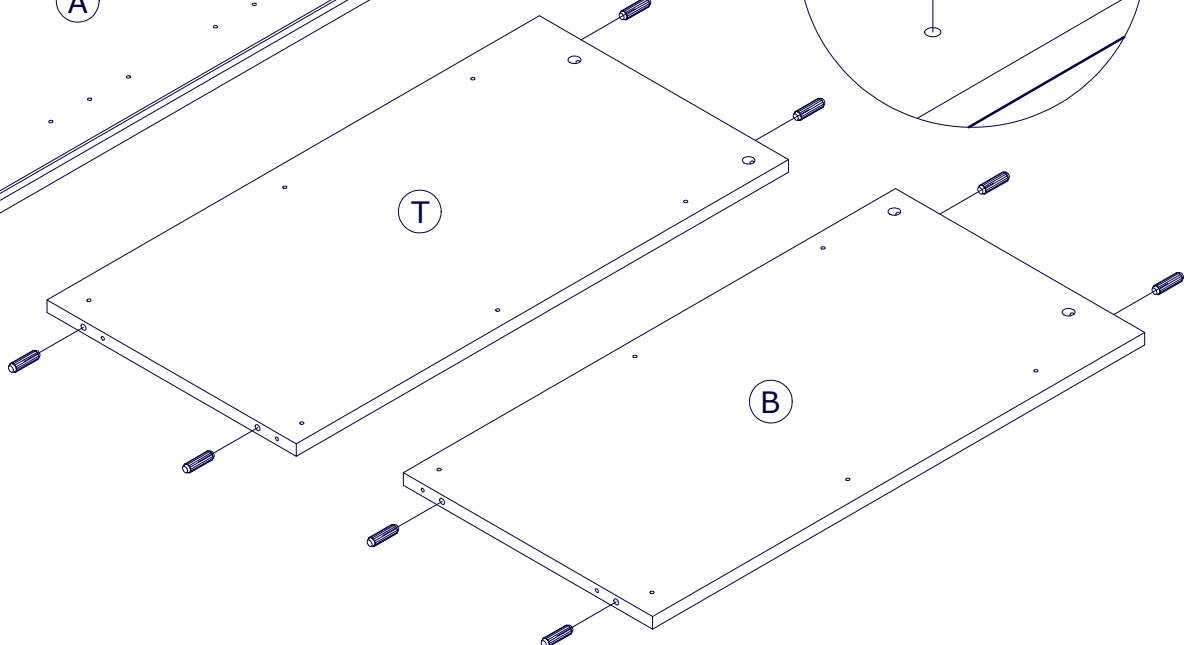
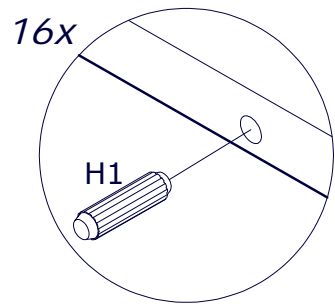
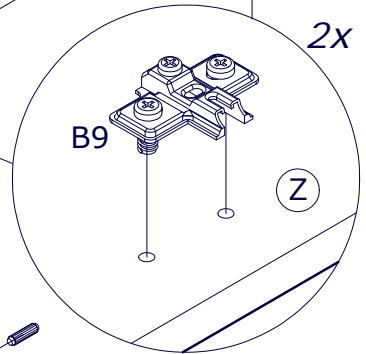
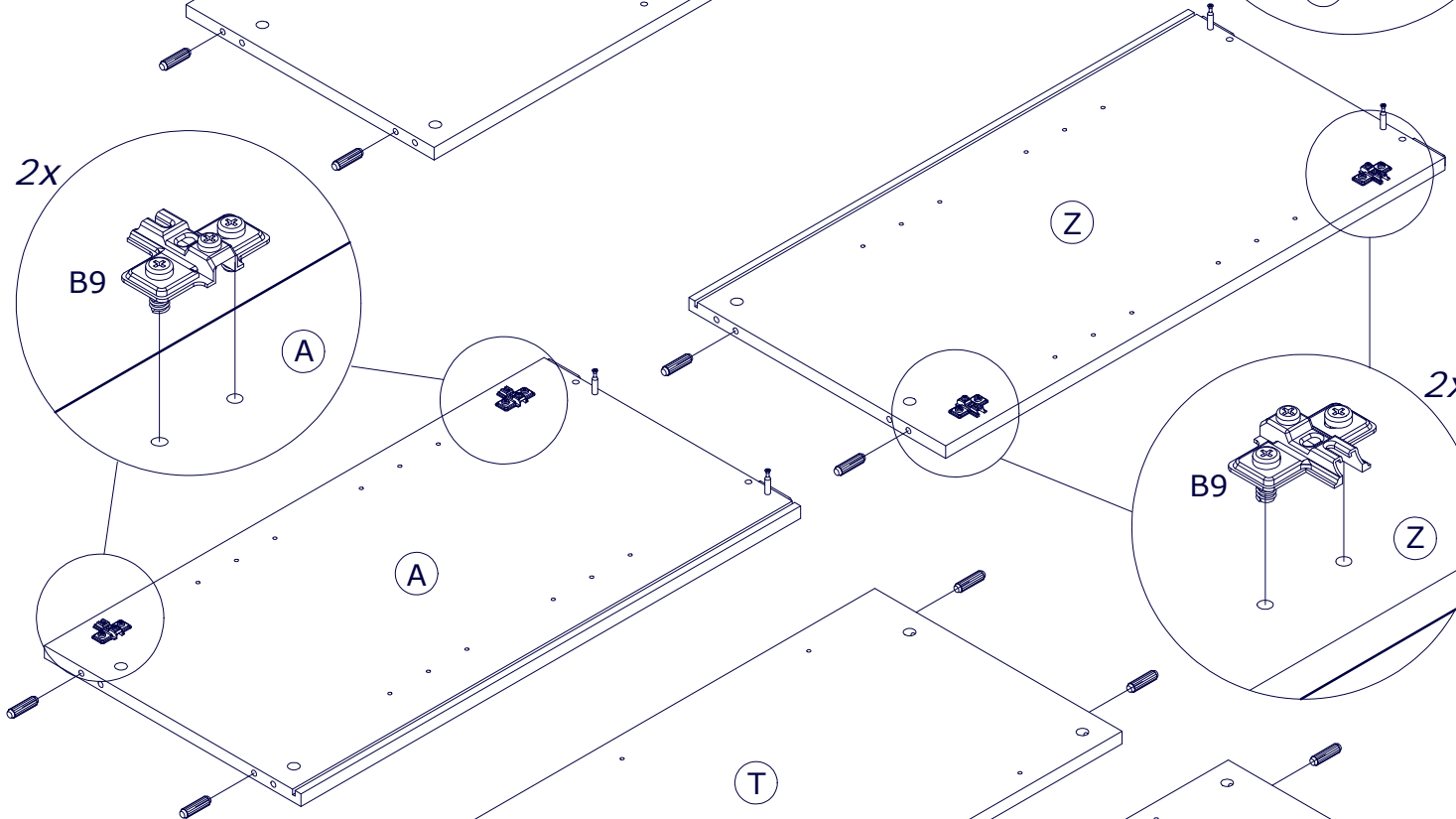
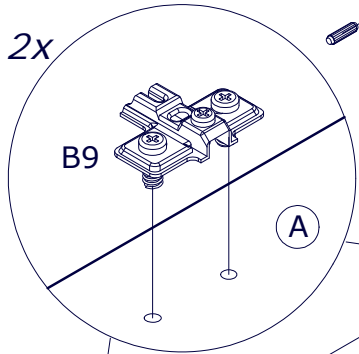
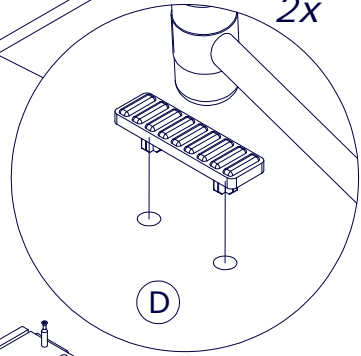
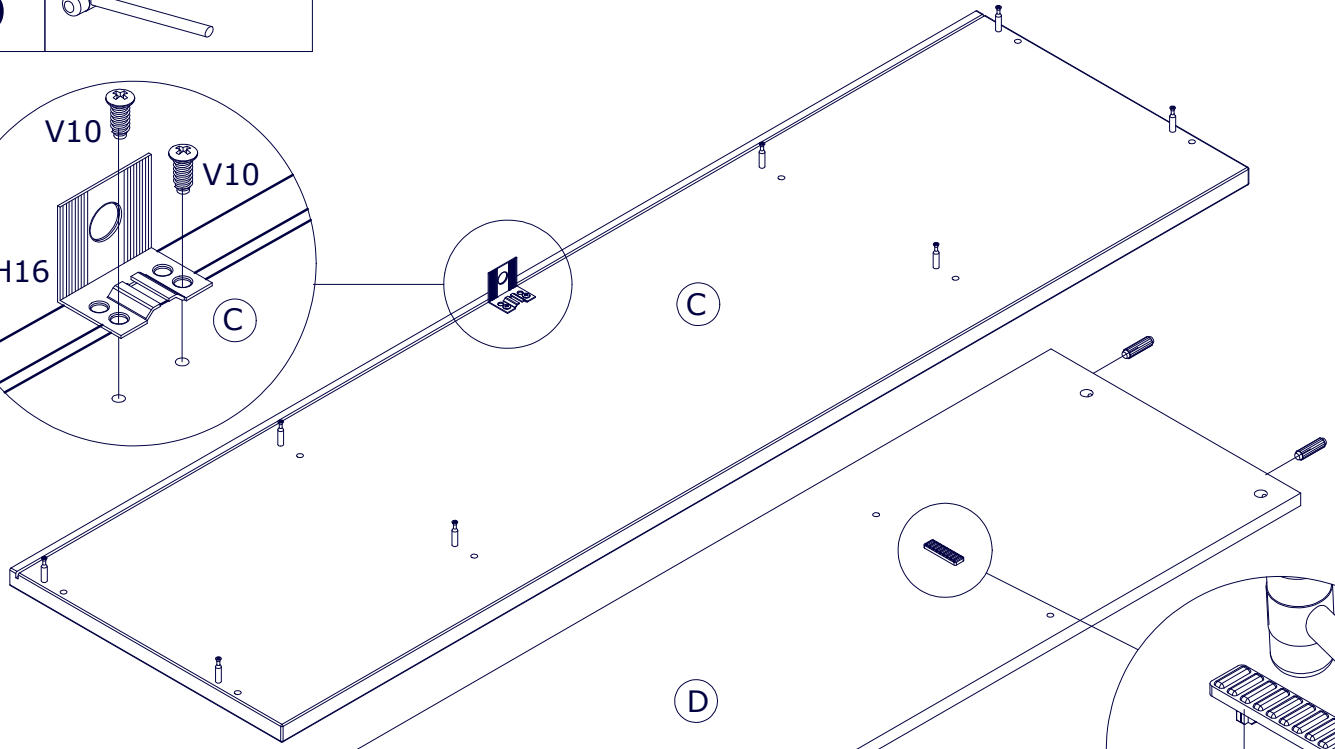
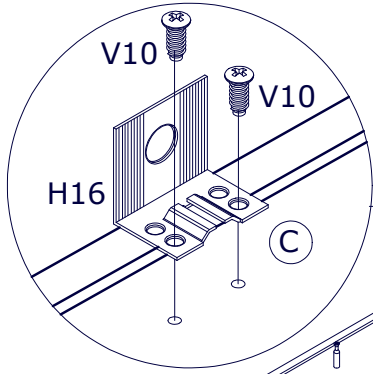
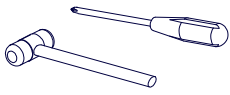
4



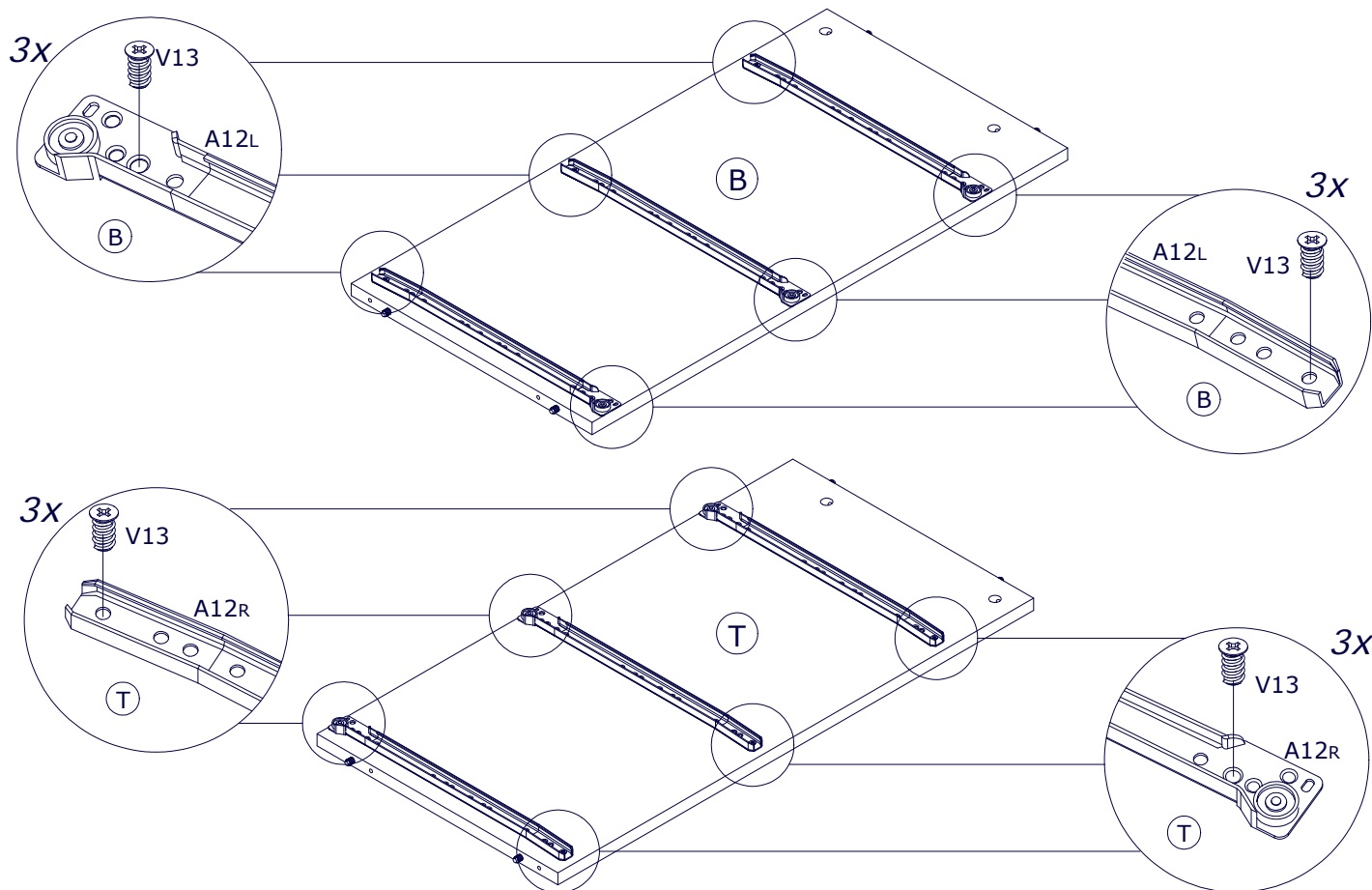
5



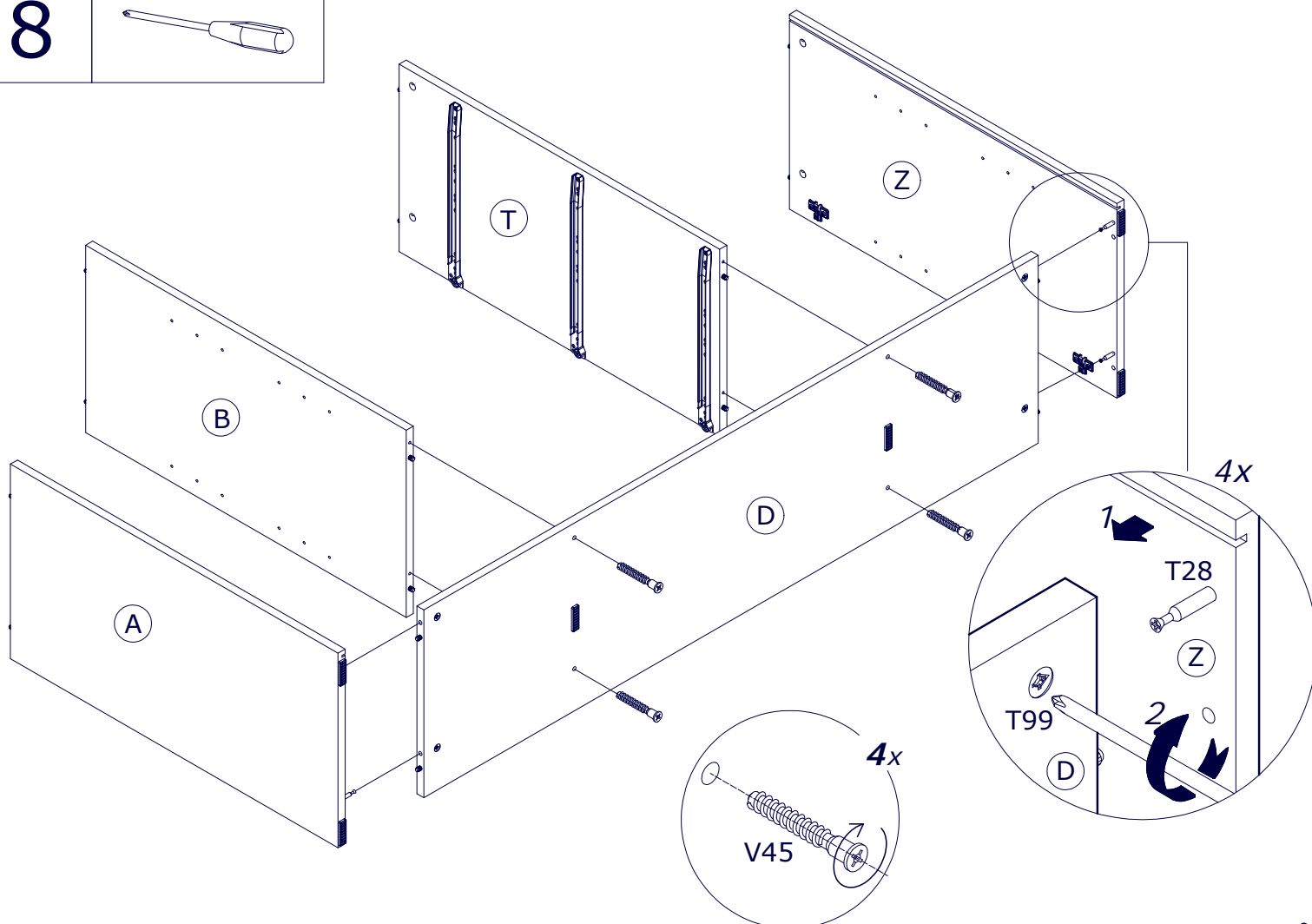
6



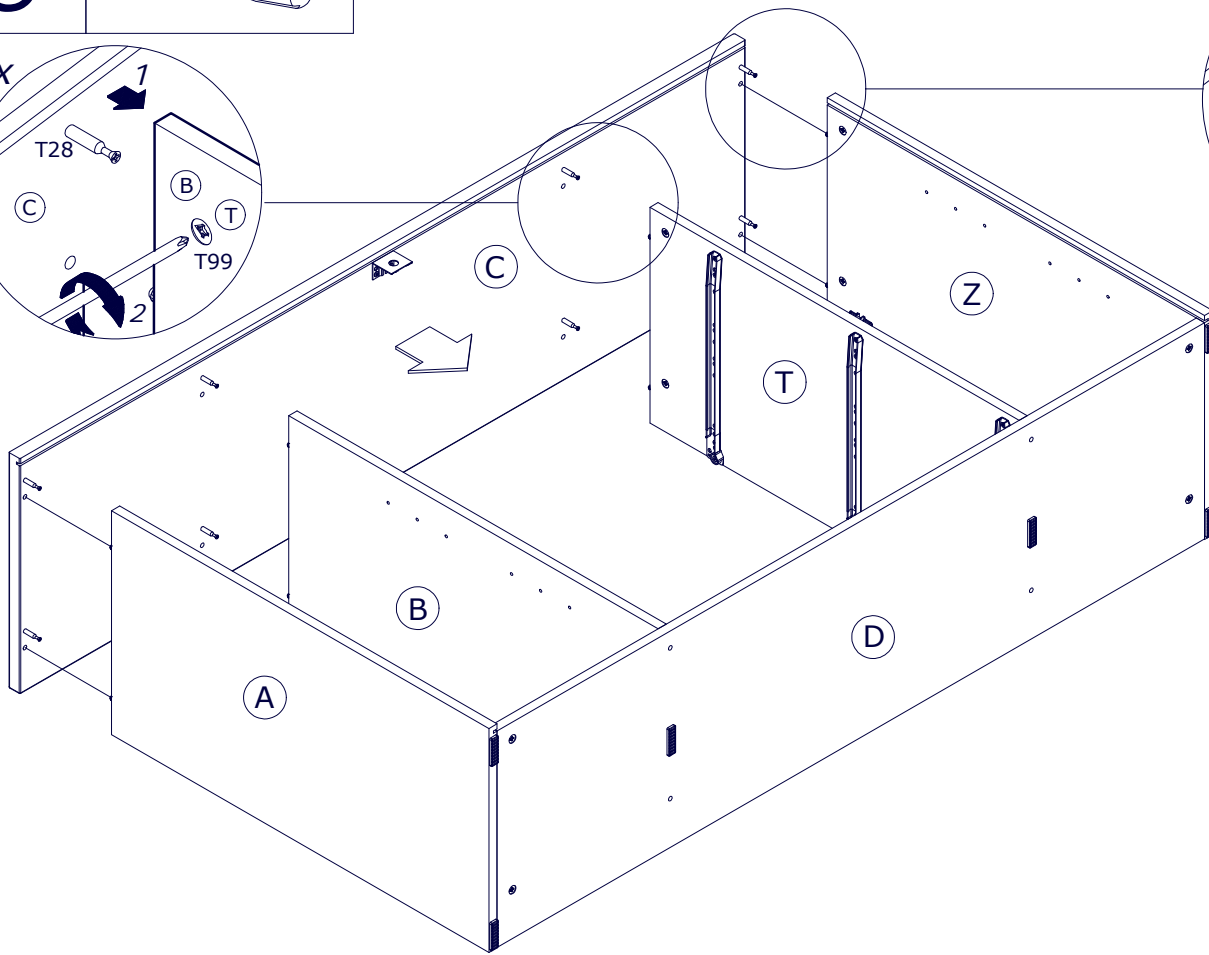
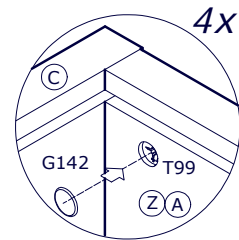
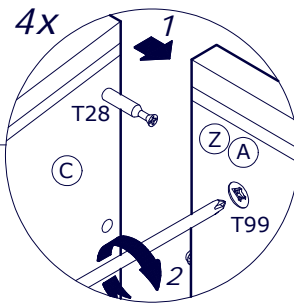
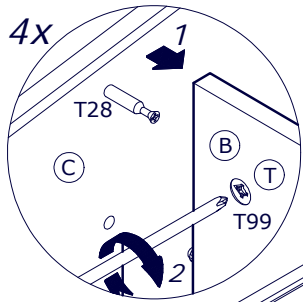
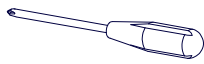
7



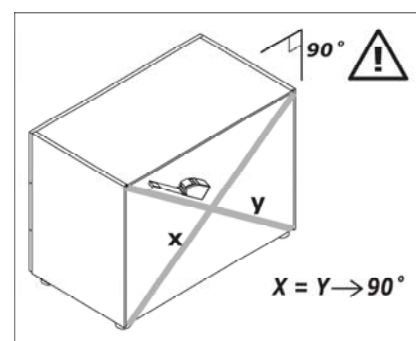
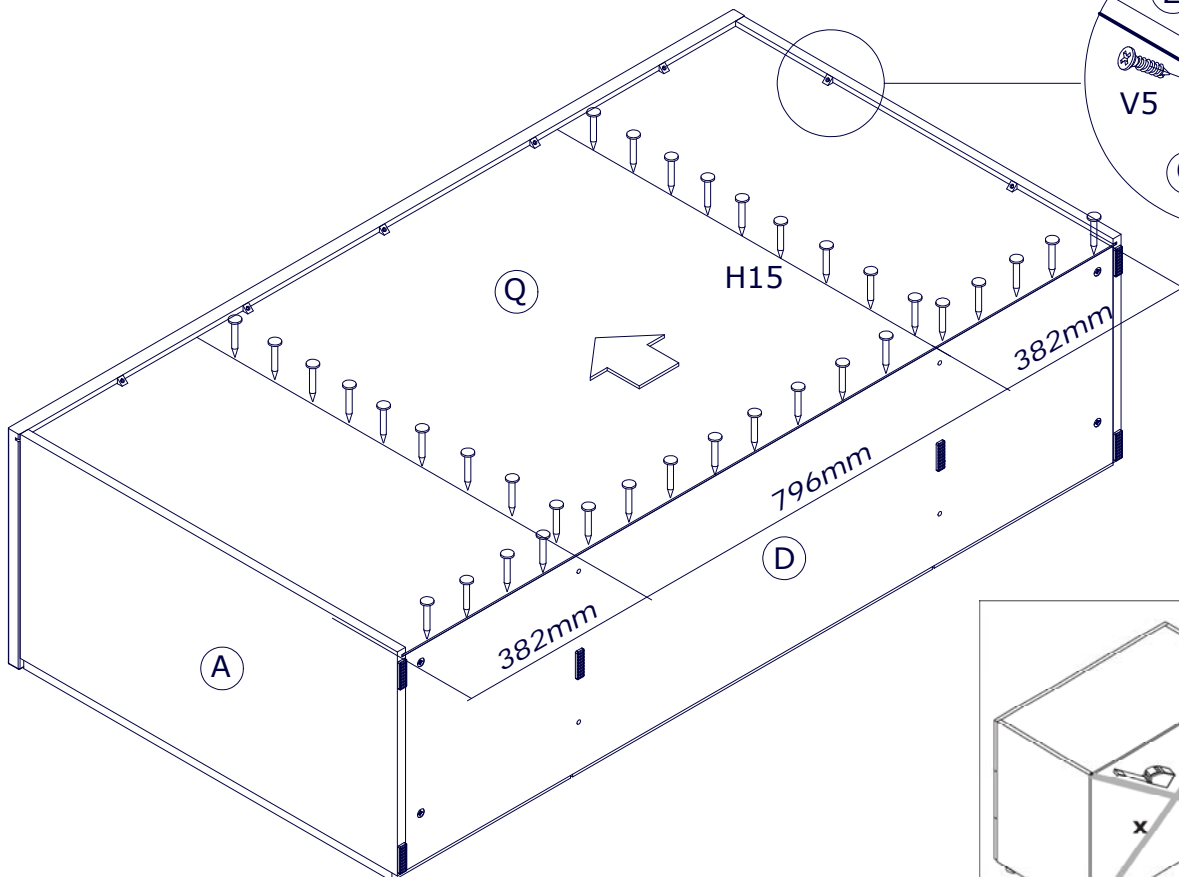
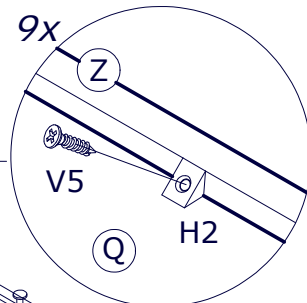
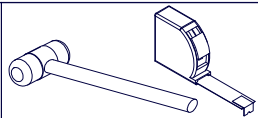
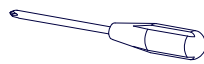
8



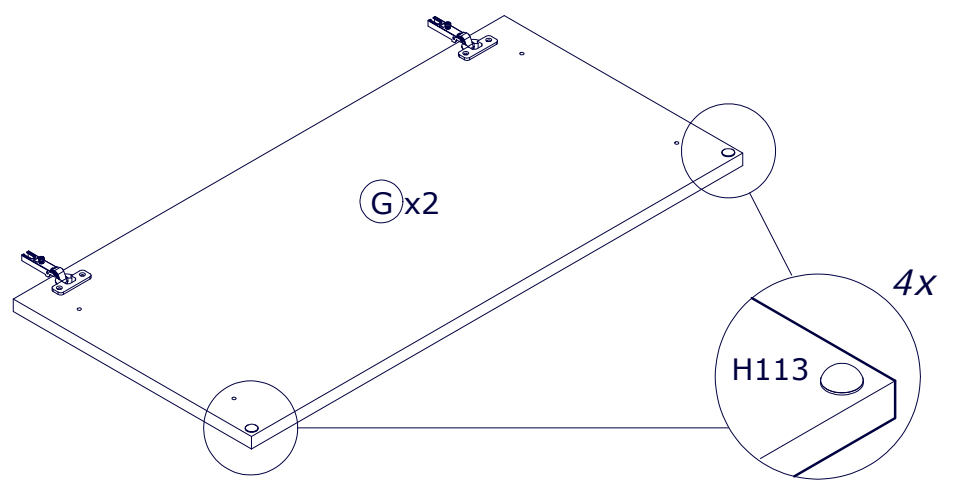
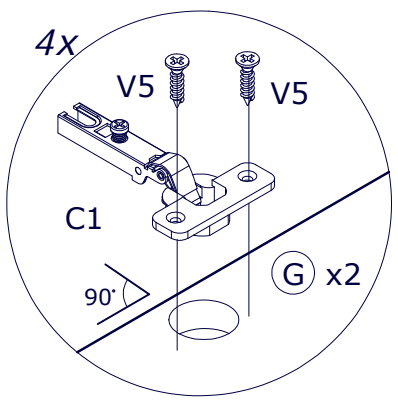
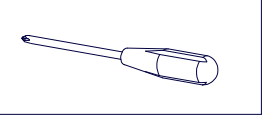
9



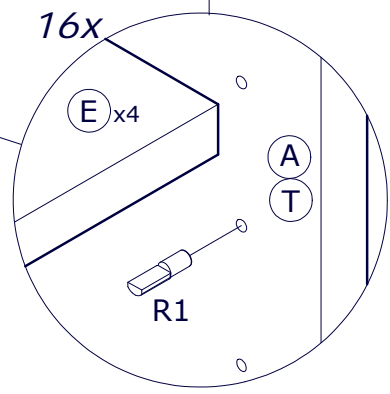
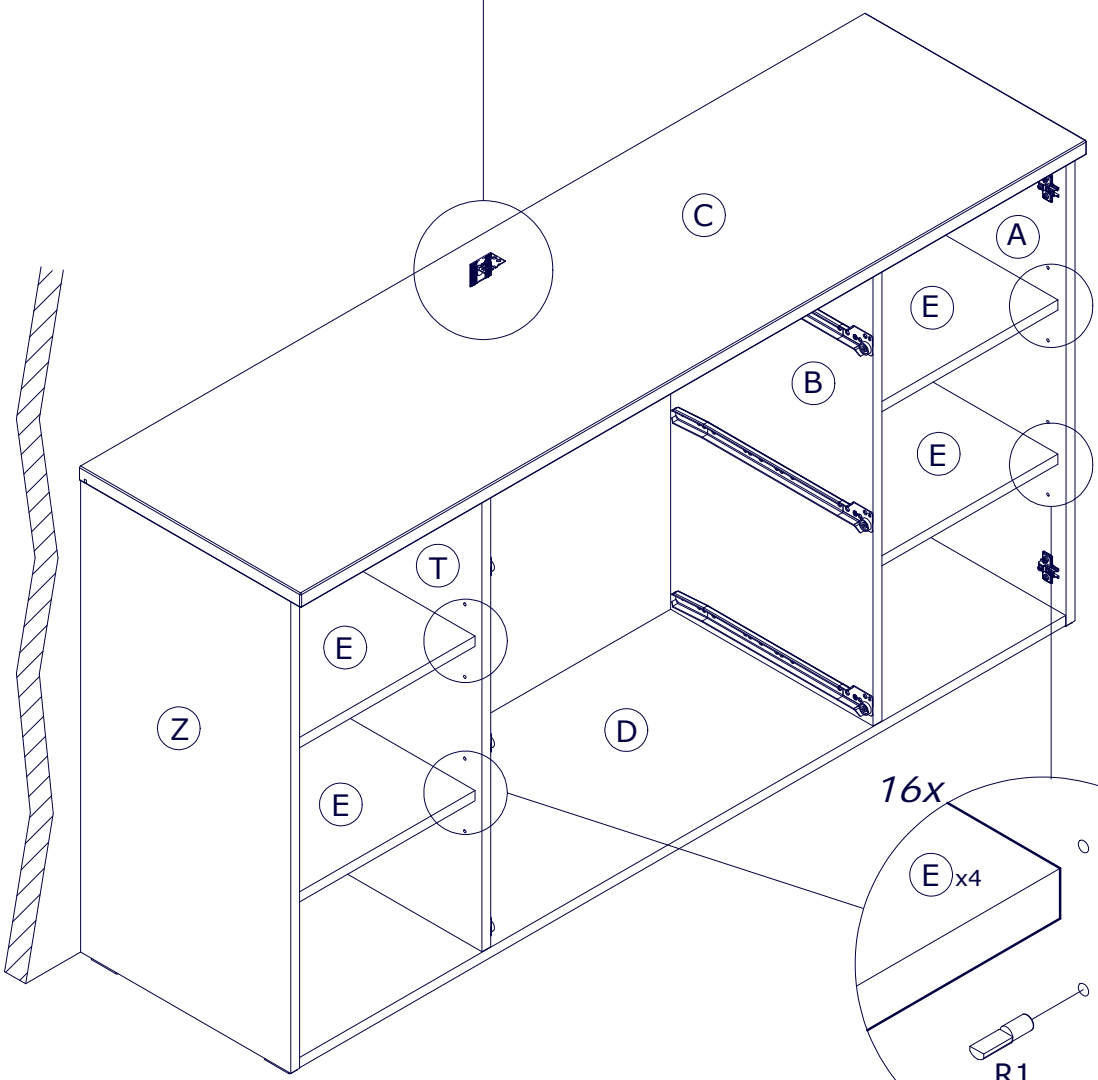
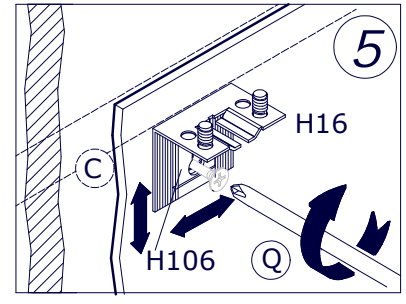
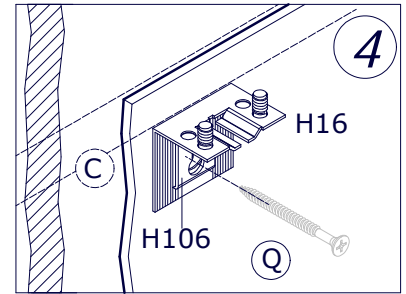
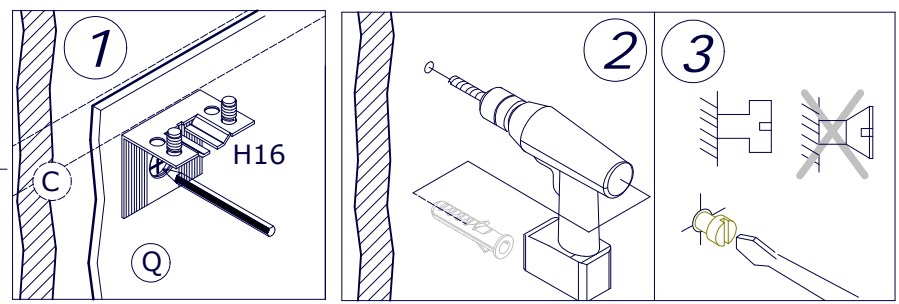
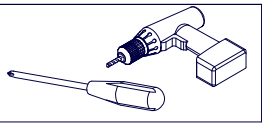
10



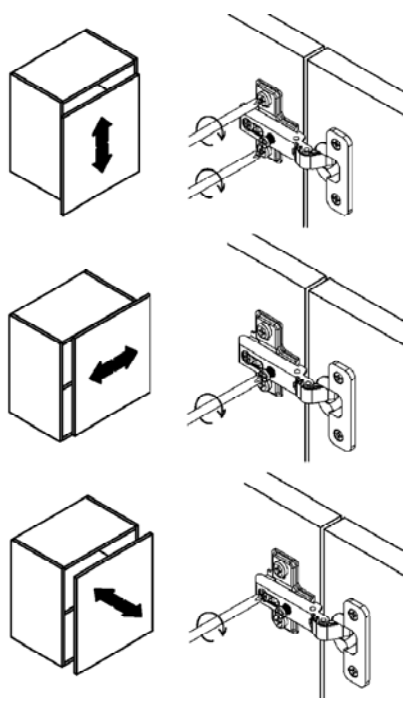
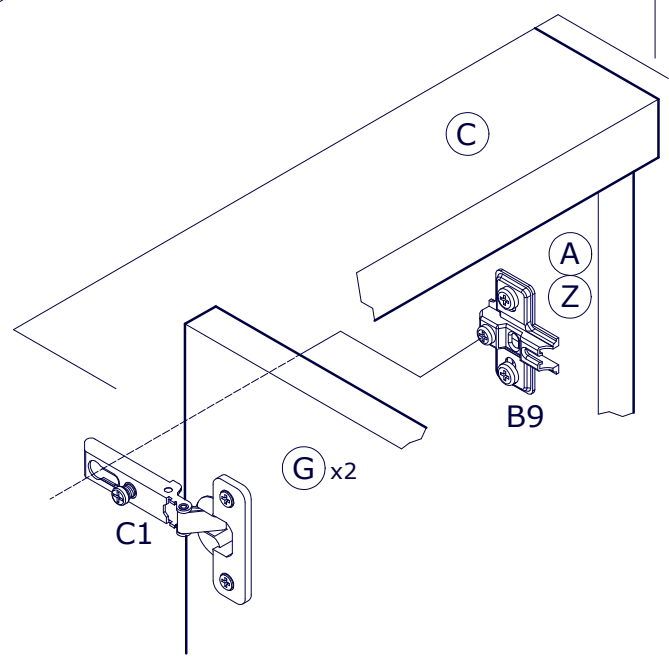
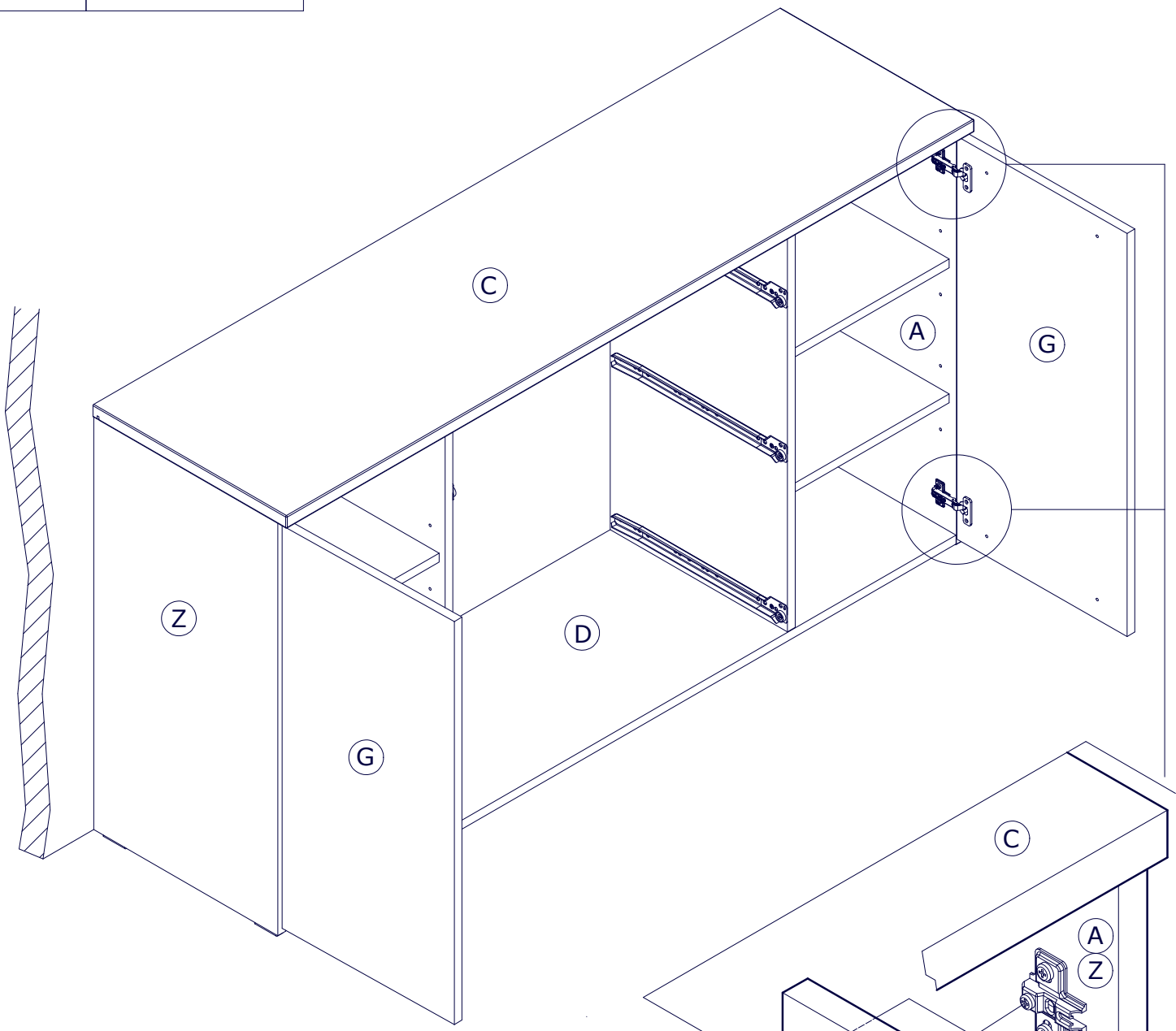
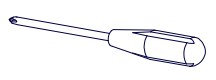
11

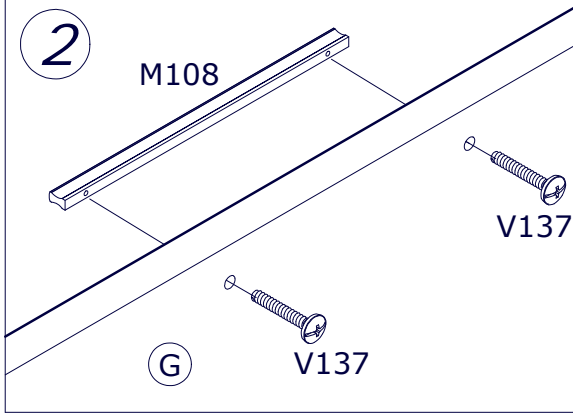
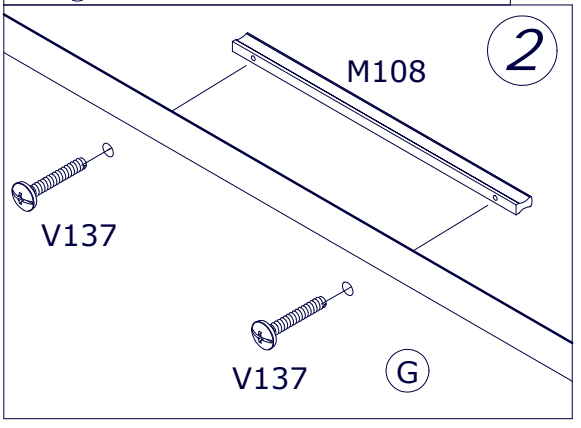
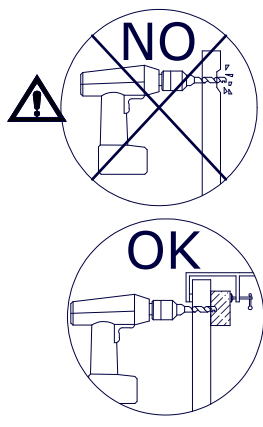
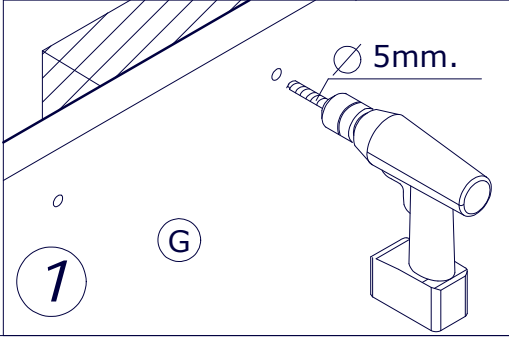
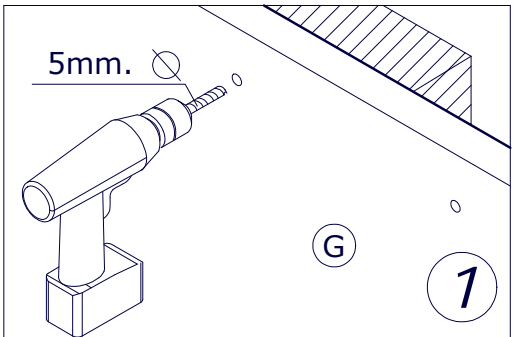
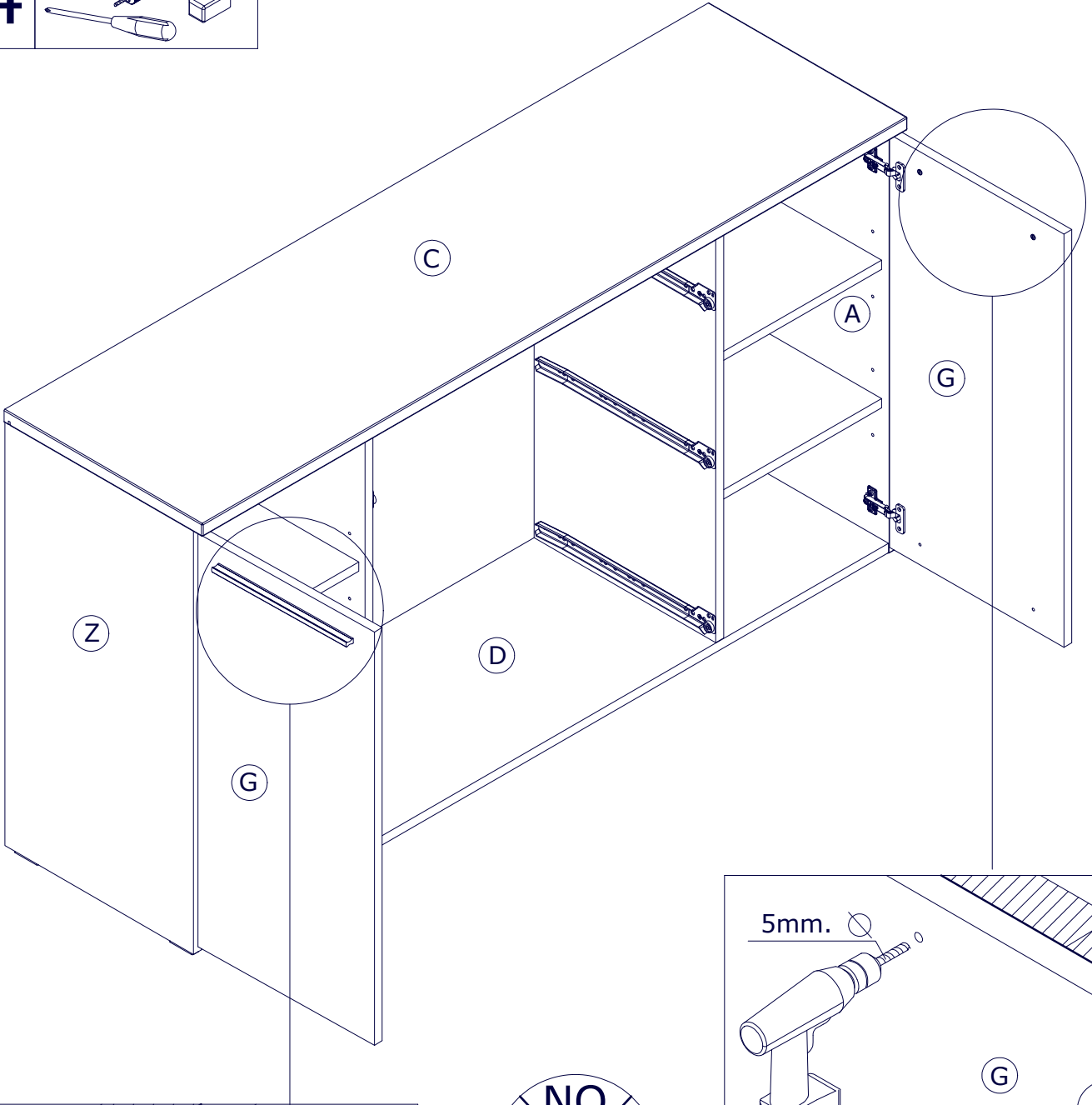


12

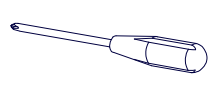


13


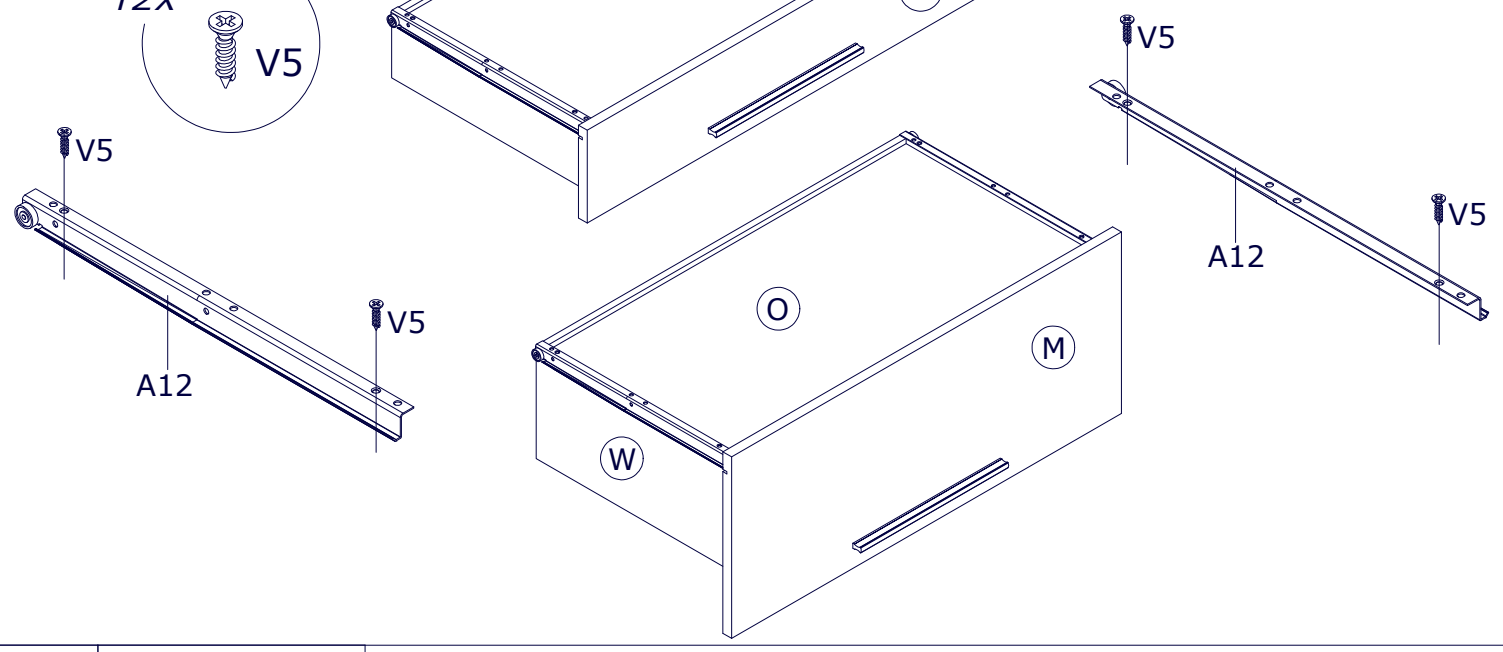




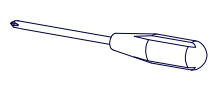
15



12x
V5

16



6x
V98