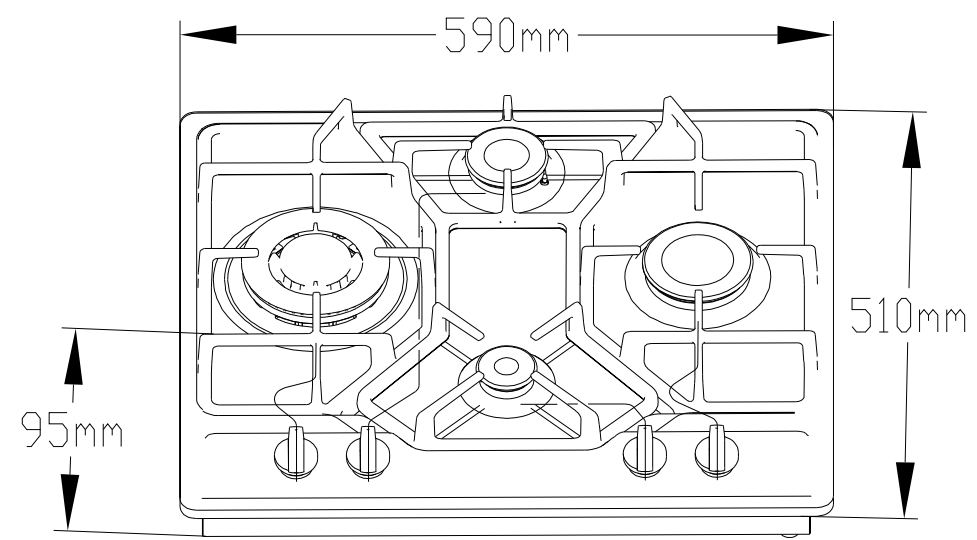
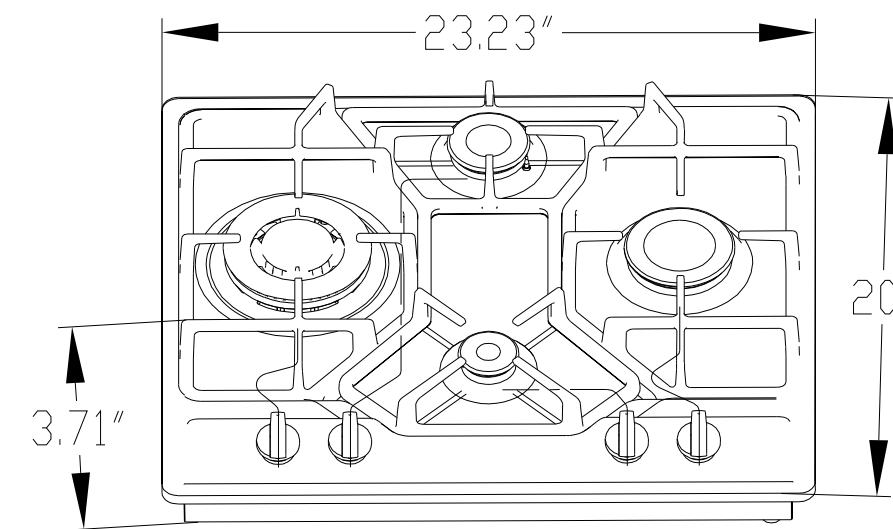


EMPV-24GC4B67A

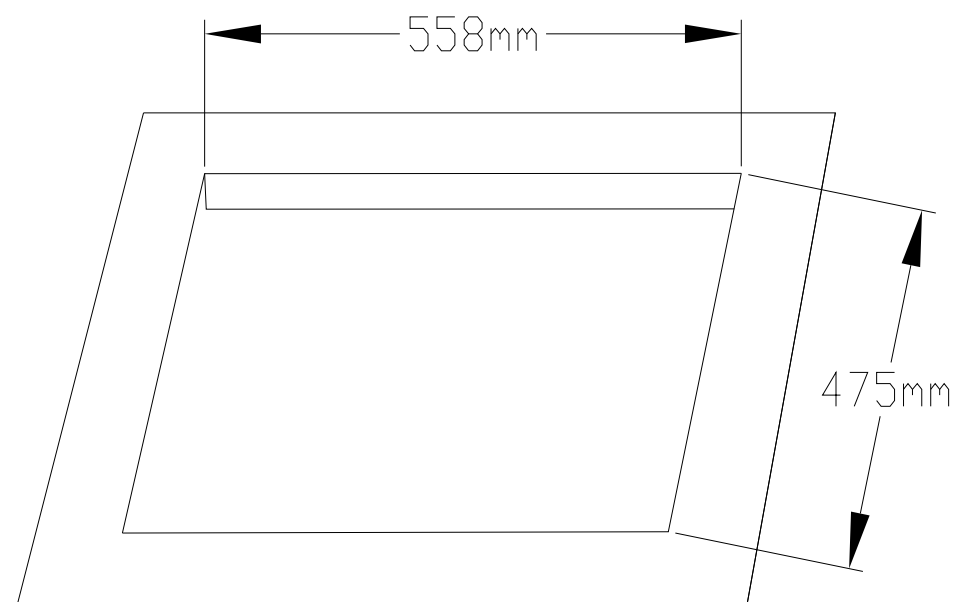


Product Dimension(WxDxH)  
590mmX510mmX95mm

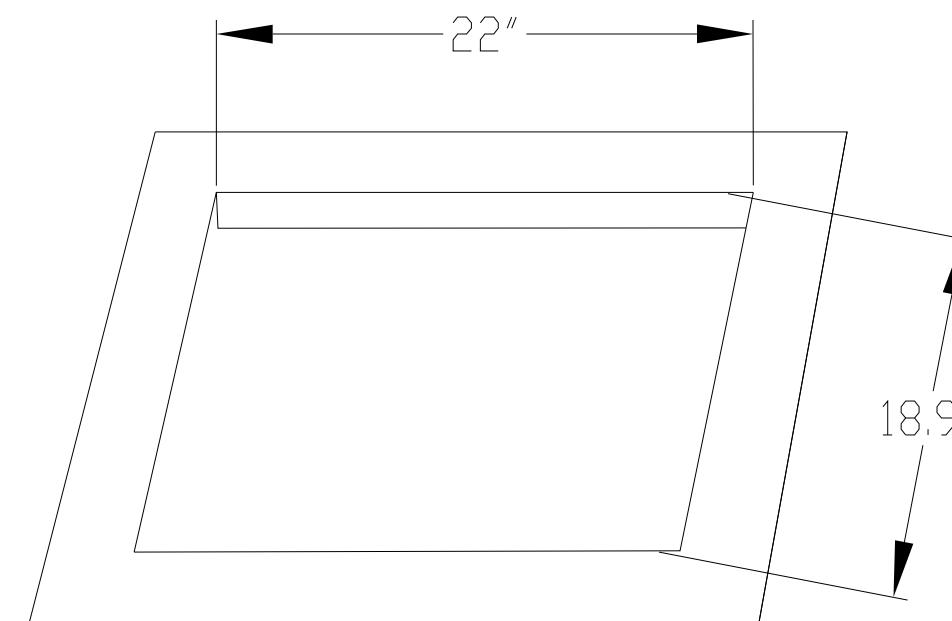
EMPV-24GC4B67A



Product Dimension(WxDxH)  
23.23"X20"X3.71"



Cut-Out Dimension(WxD)  
558mmX480mm



Cut-Out Dimension(WxD)  
22"X18.9"