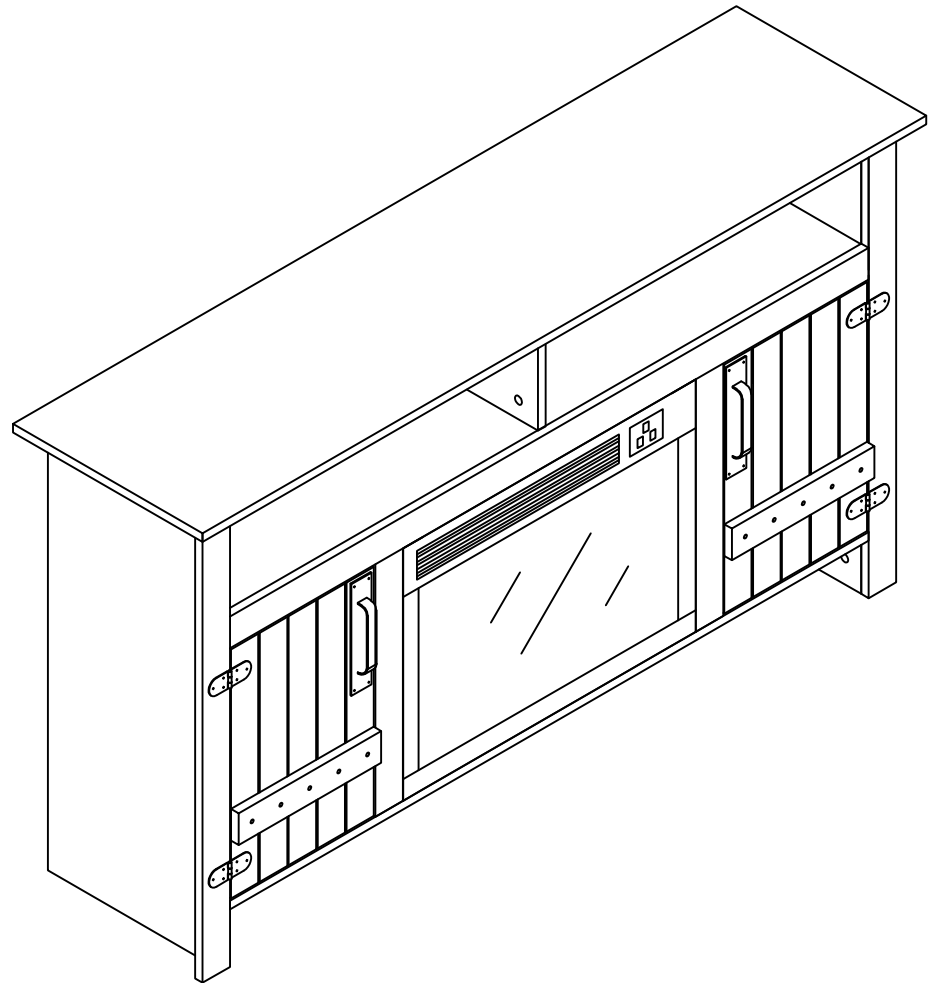


Assembly Instructions



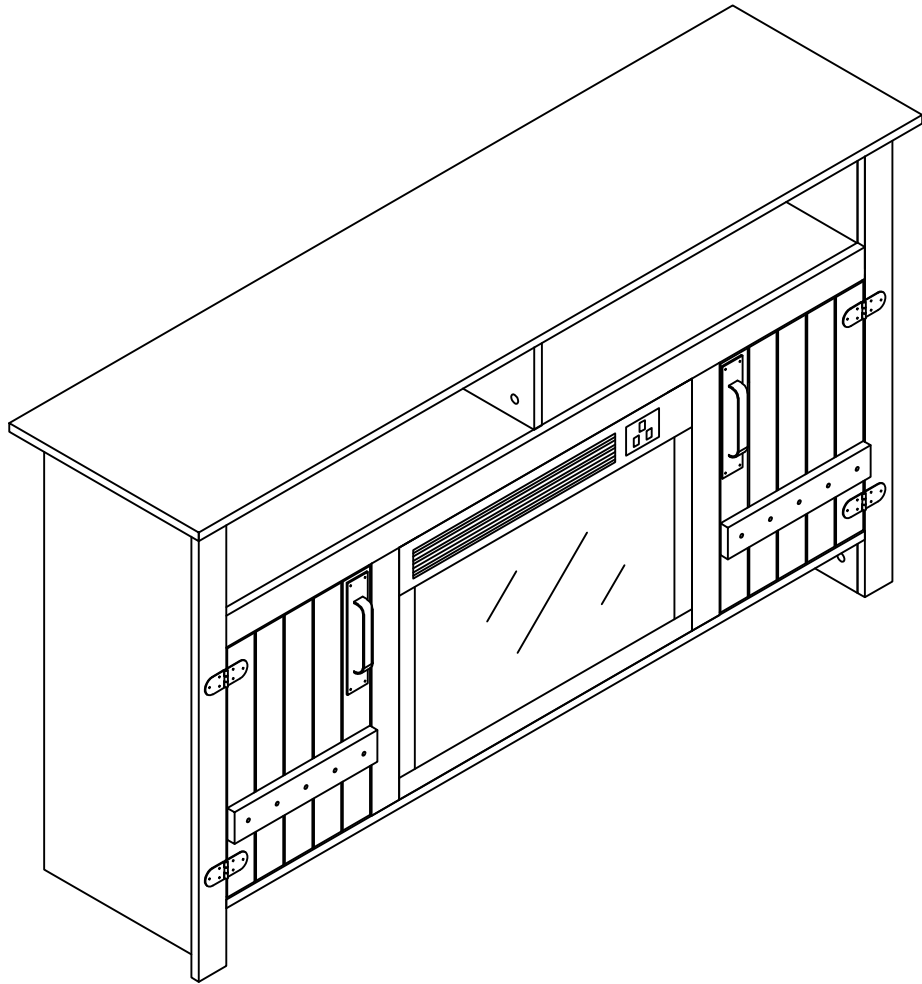
Thank you for your purchase.



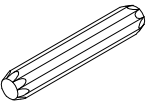
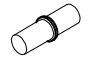
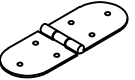

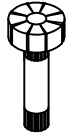

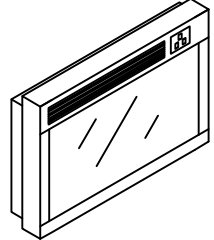
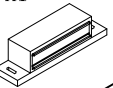
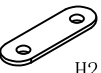





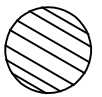
Please follow the instructions below for correct the assembly.

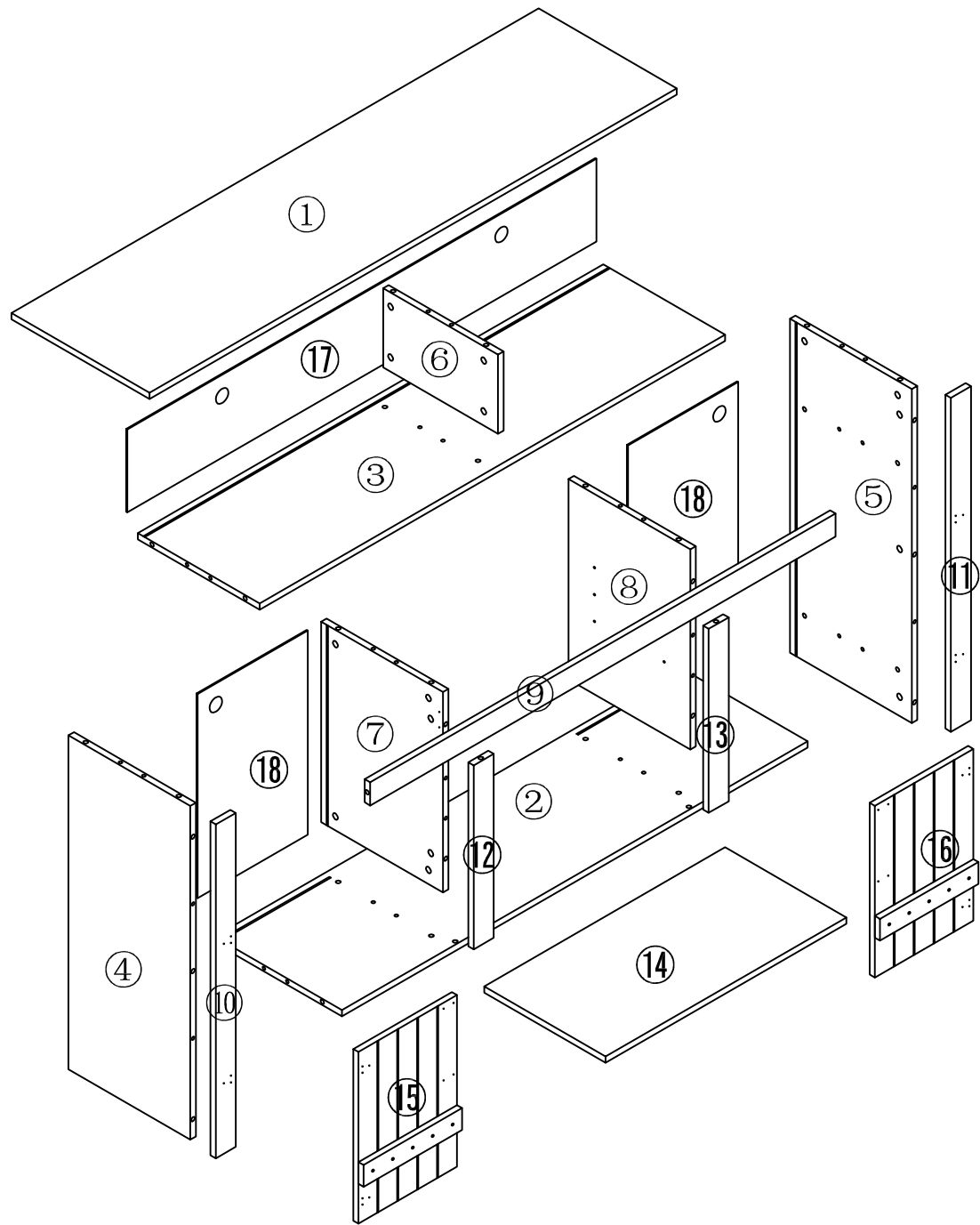
▲ For higher efficiency, we recommend to use a power drill; the power drill should be set on the low speed to avoid screw stripping.

▲ CAUTION

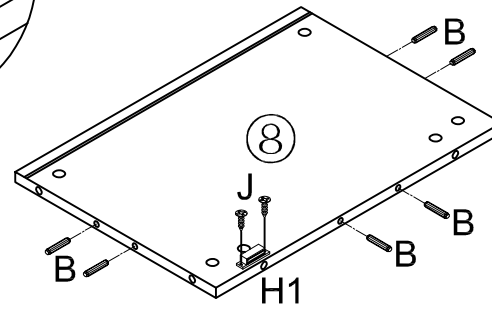
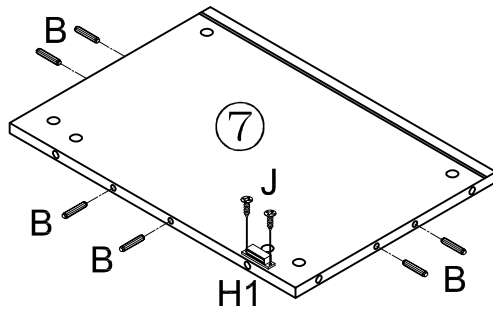
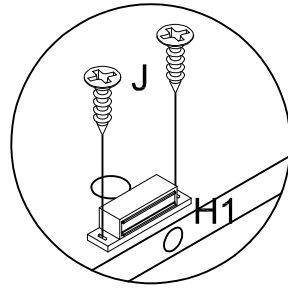
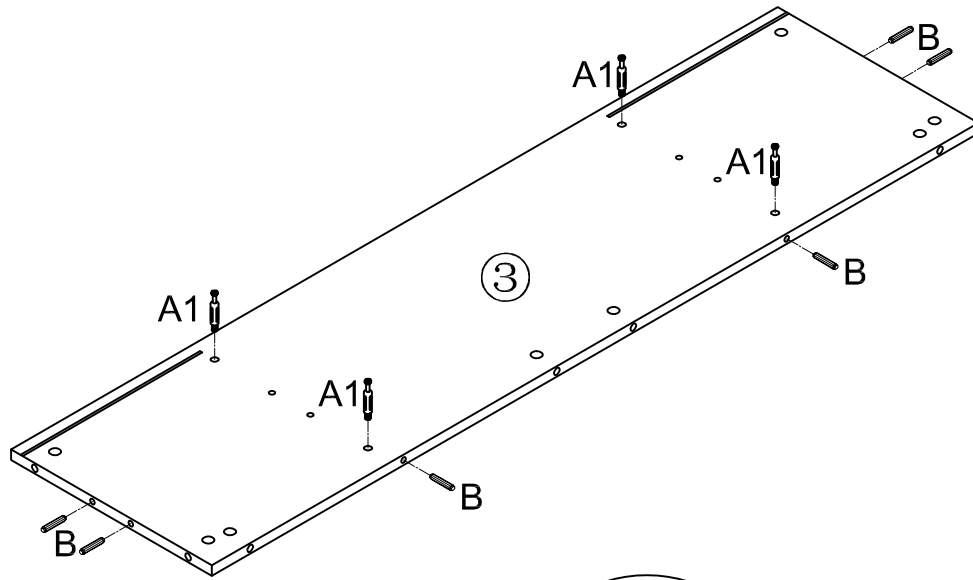
This package contains small parts and hardwares; keep it from children to avoid accidental swallowing


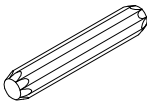
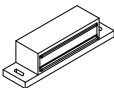



 A1  A2	 Φ8*40		
A 46pcs	B 34pcs	C 4pcs	D 4pcs
	 F1  F2		 H1  H2
E 2pcs	F 1pc	G 1pc	H 2pc
 	 Φ3*12	 Φ3.5*14	 Φ3.5*14
I 12pcs	J 8pcs	K 32pcs	L 8pcs
			
M 46pcs			

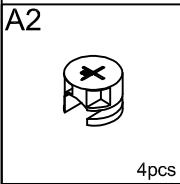
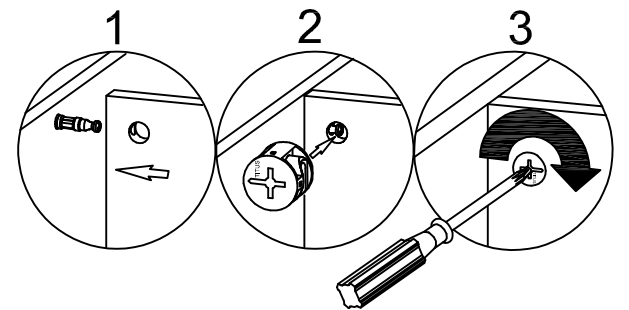
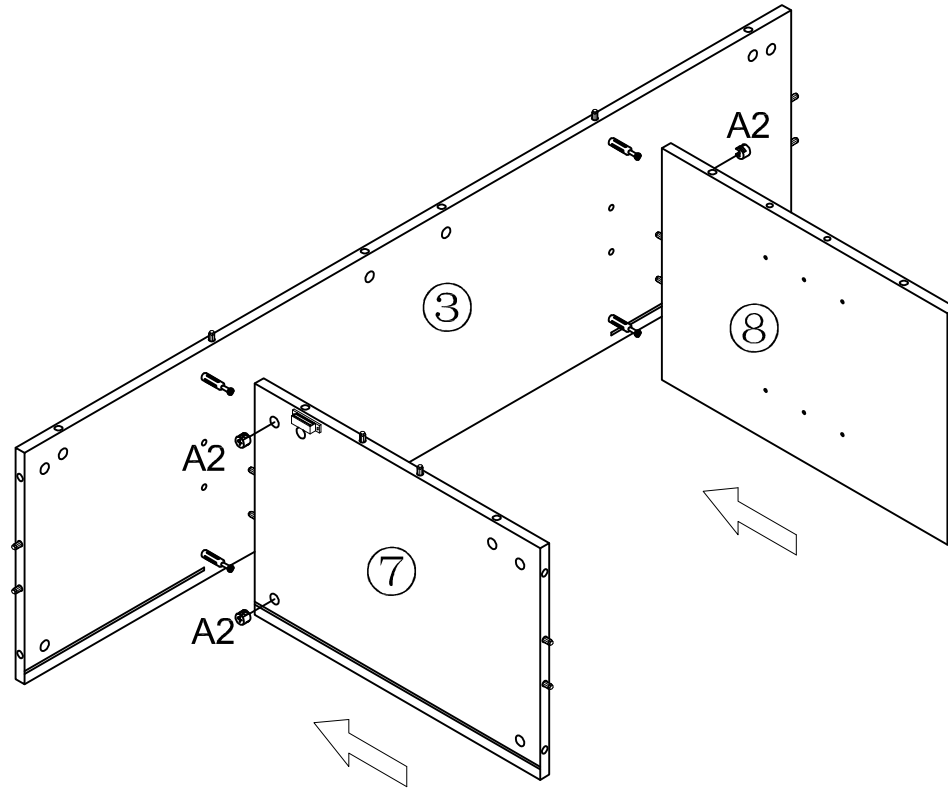


1

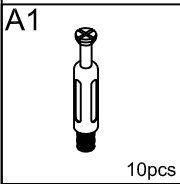
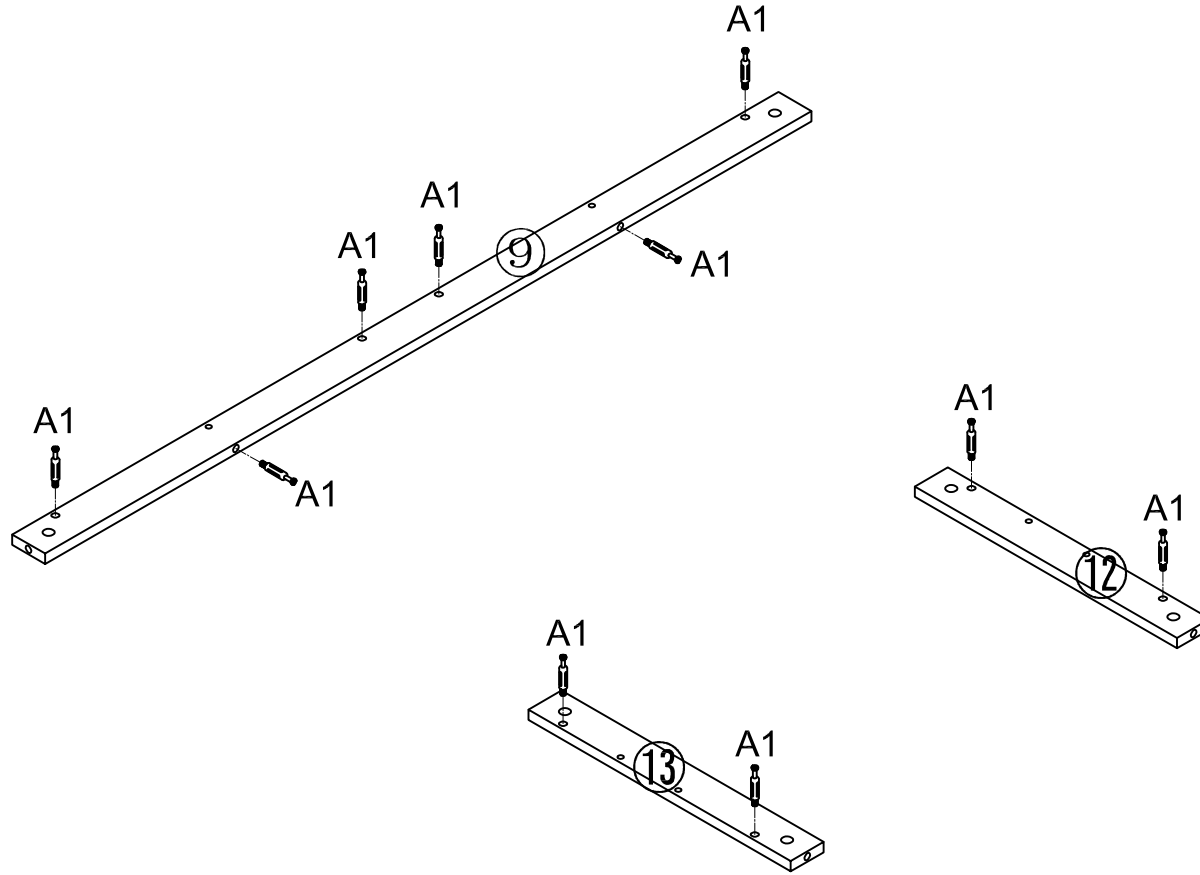


A1	B	$\Phi 8 \times 40$ H1	J	$\Phi 3 \times 12$
				
4pcs	18pcs	2pcs	4pcs	

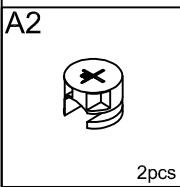
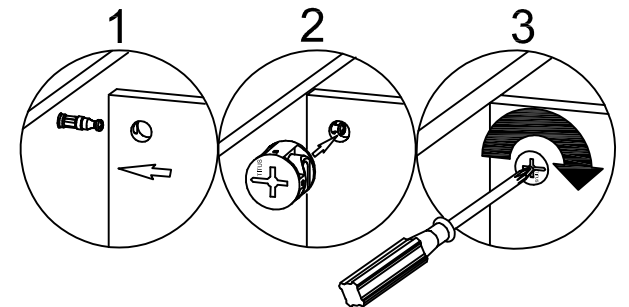
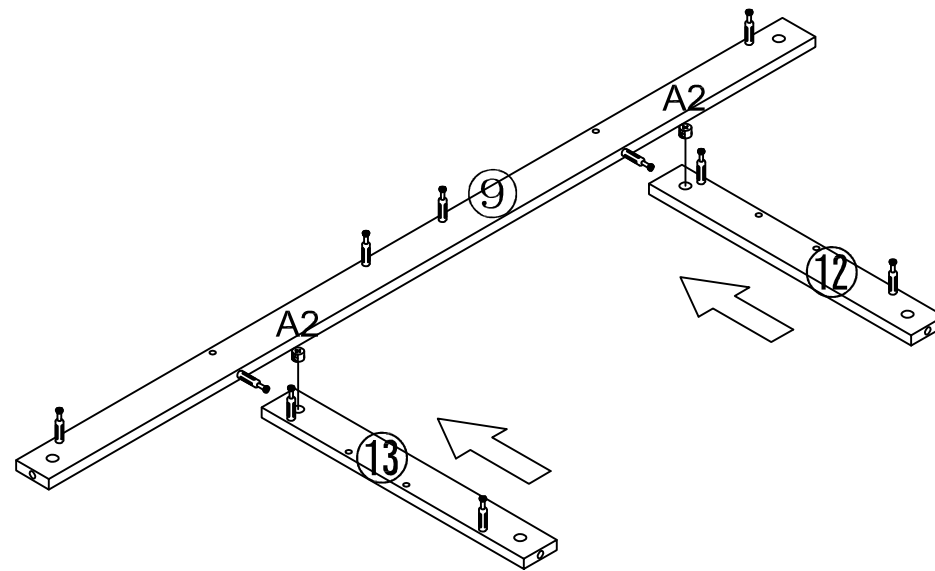
2



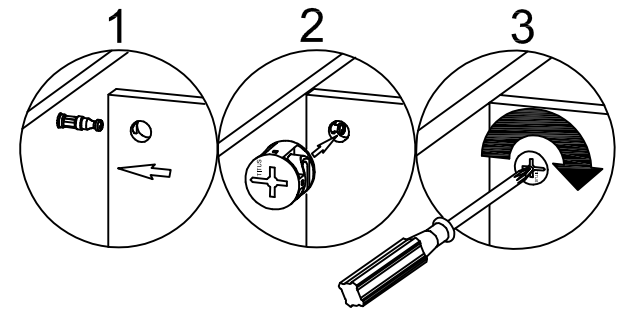
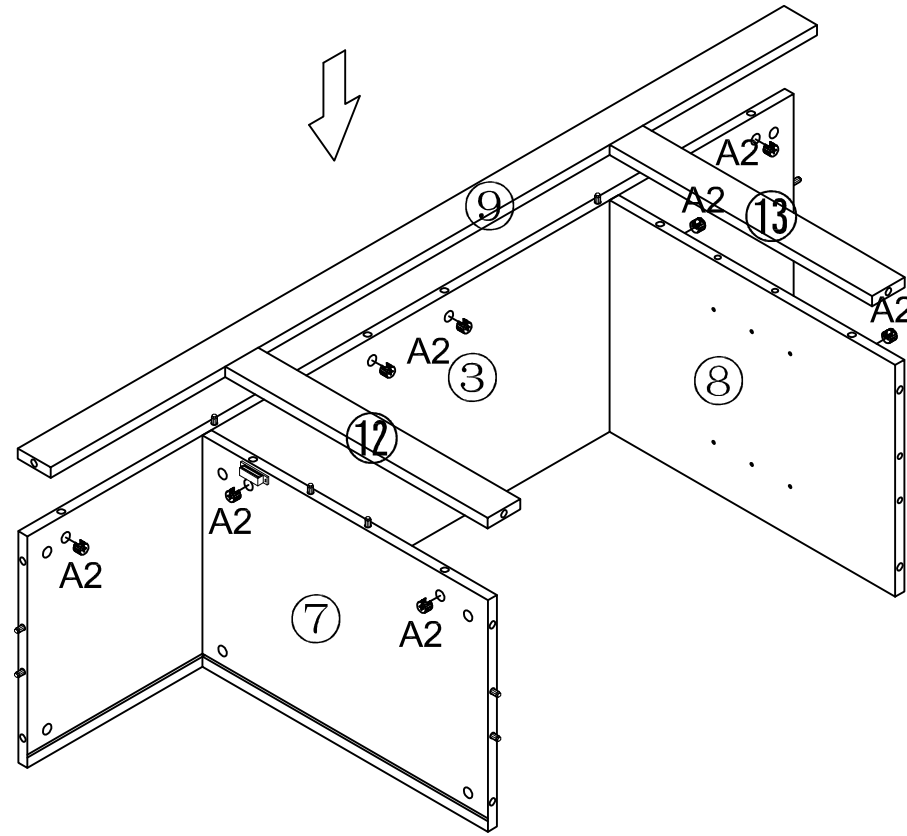
3



4



5

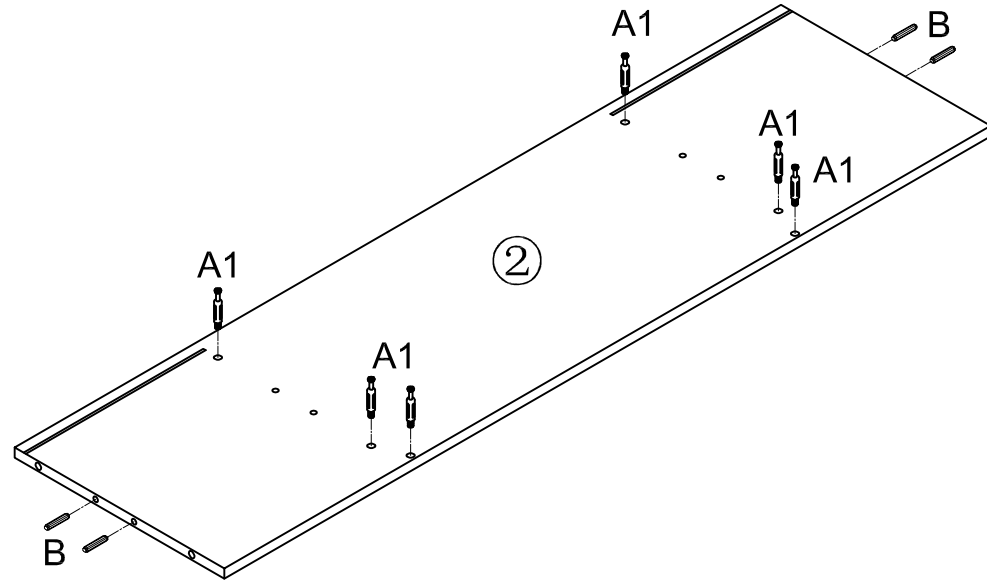



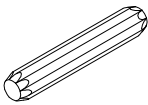
A2



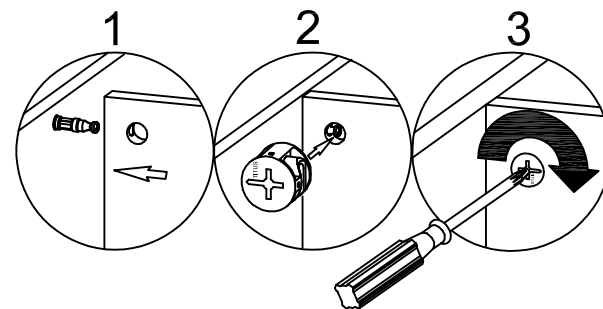
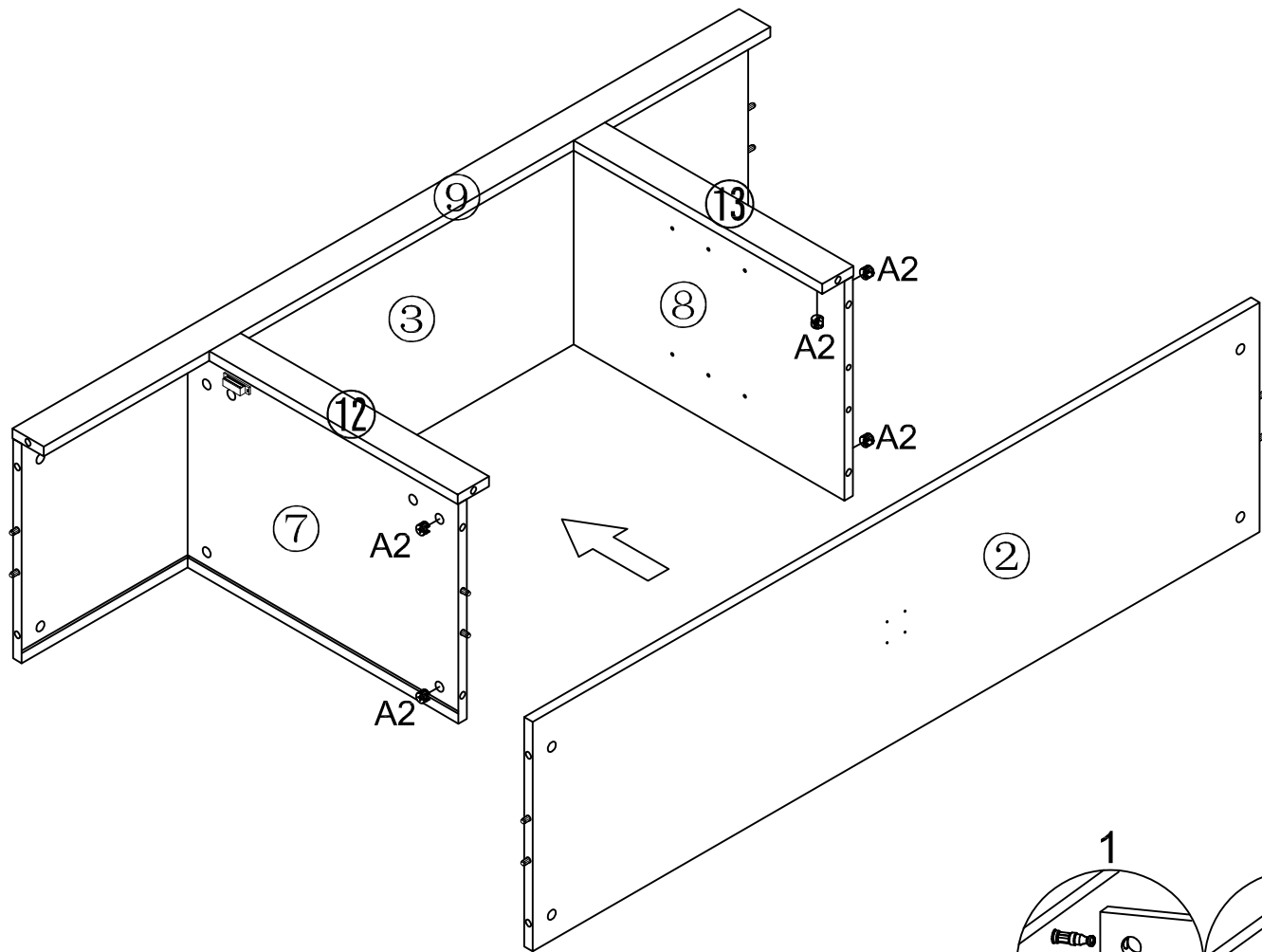
8pcs

6



<p>A1</p>  <p>6pcs</p>	<p>B</p> <p>Φ8*40</p>  <p>4pcs</p>
--	---

7

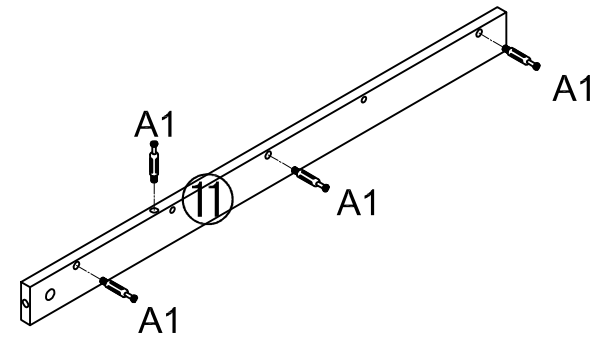
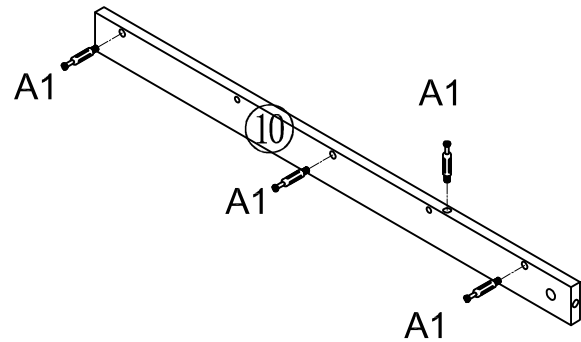
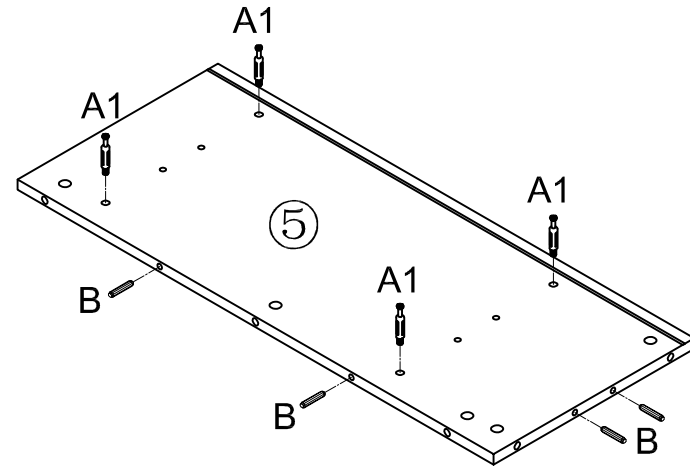
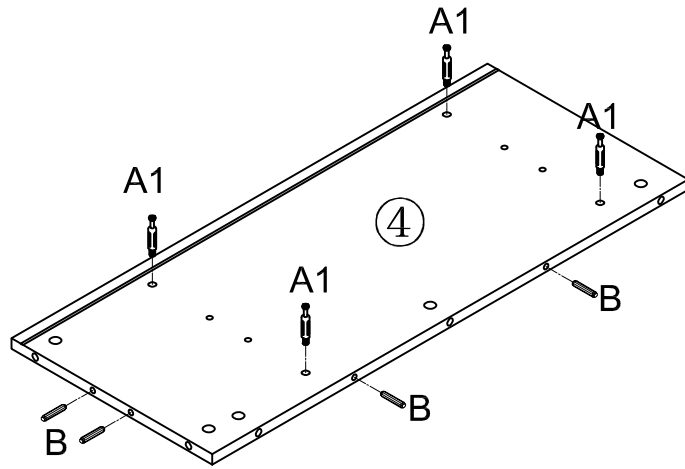



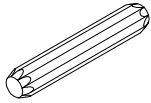
A2



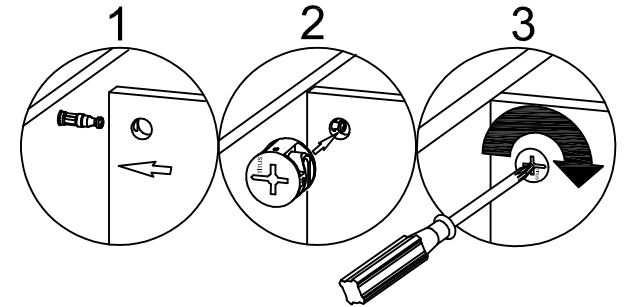
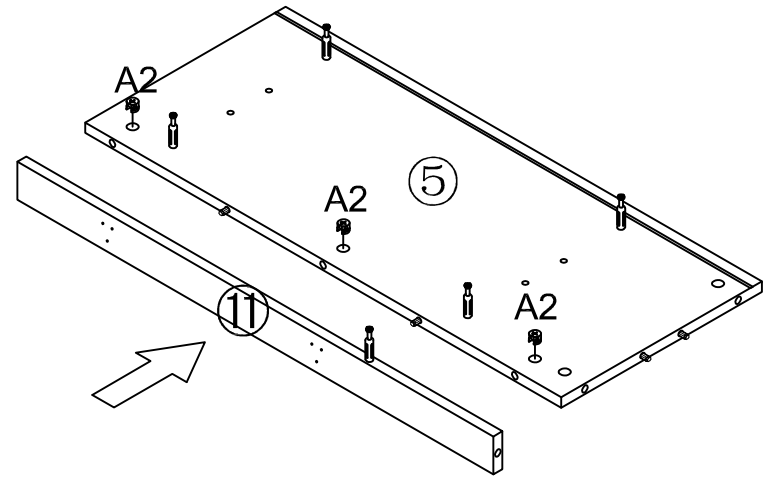
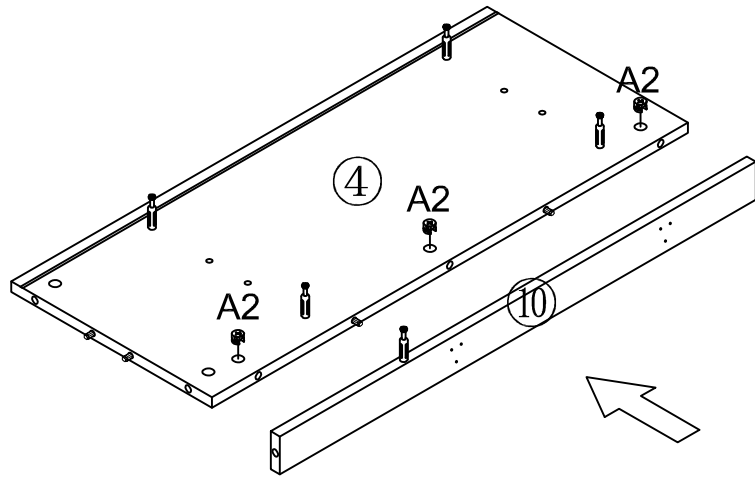
6pcs

8



<p>A1</p>  <p>16pcs</p>	<p>B</p> <p>Φ8*40</p>  <p>8pcs</p>
---	---

9

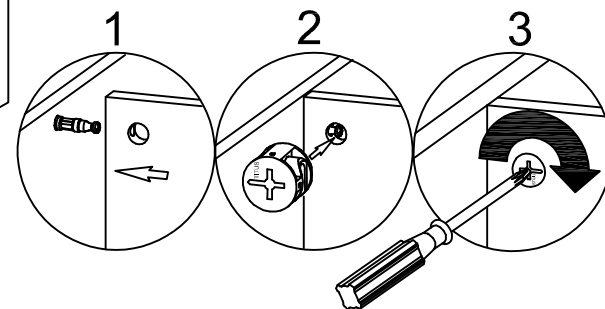
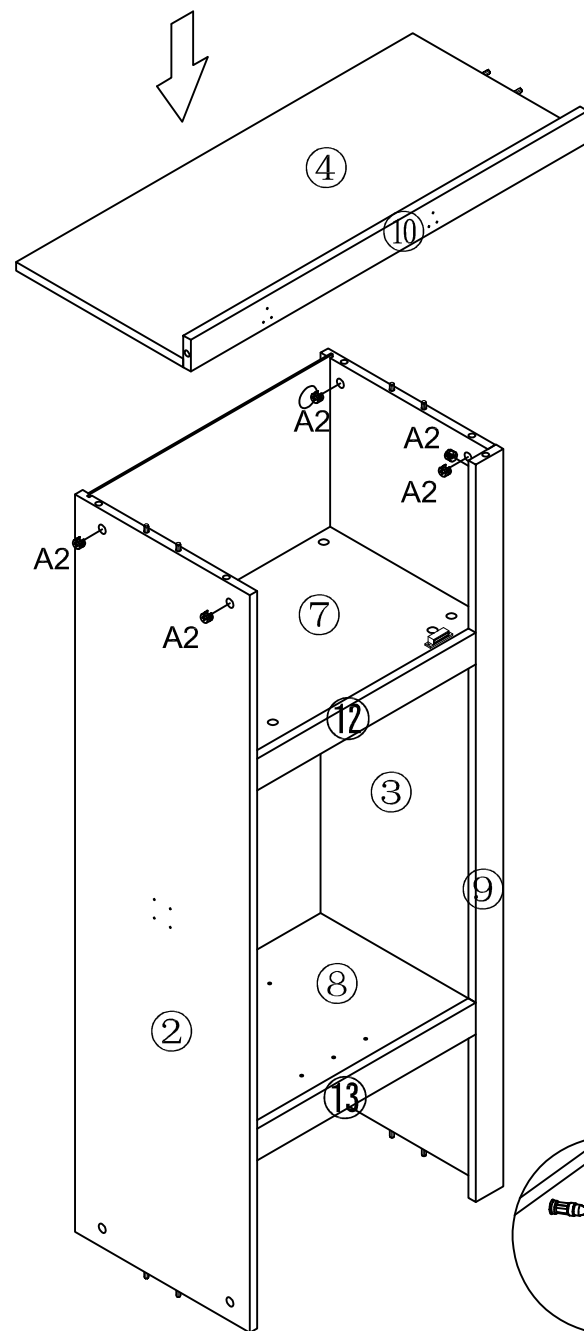
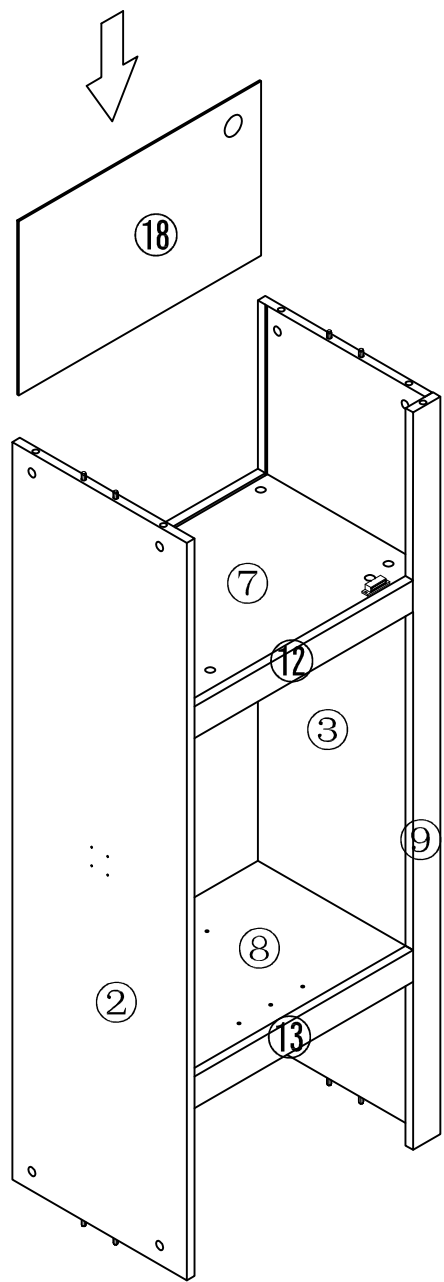


A2



6pcs

10

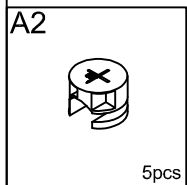
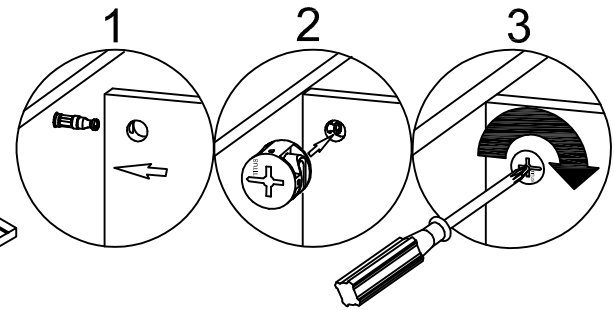
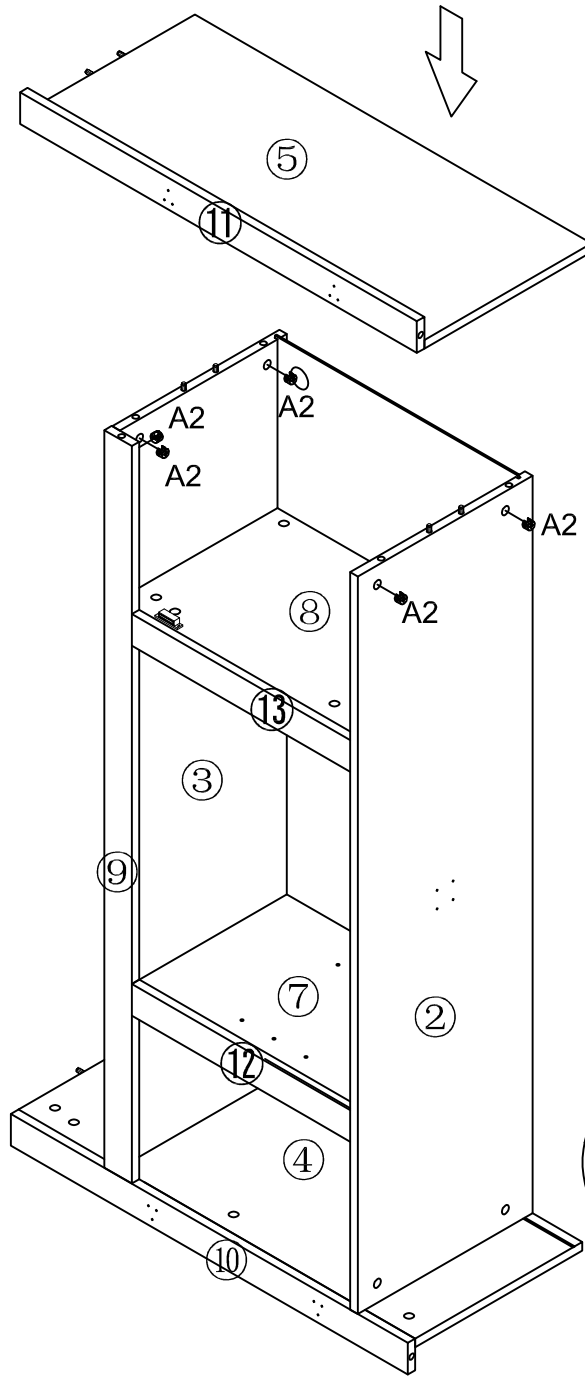
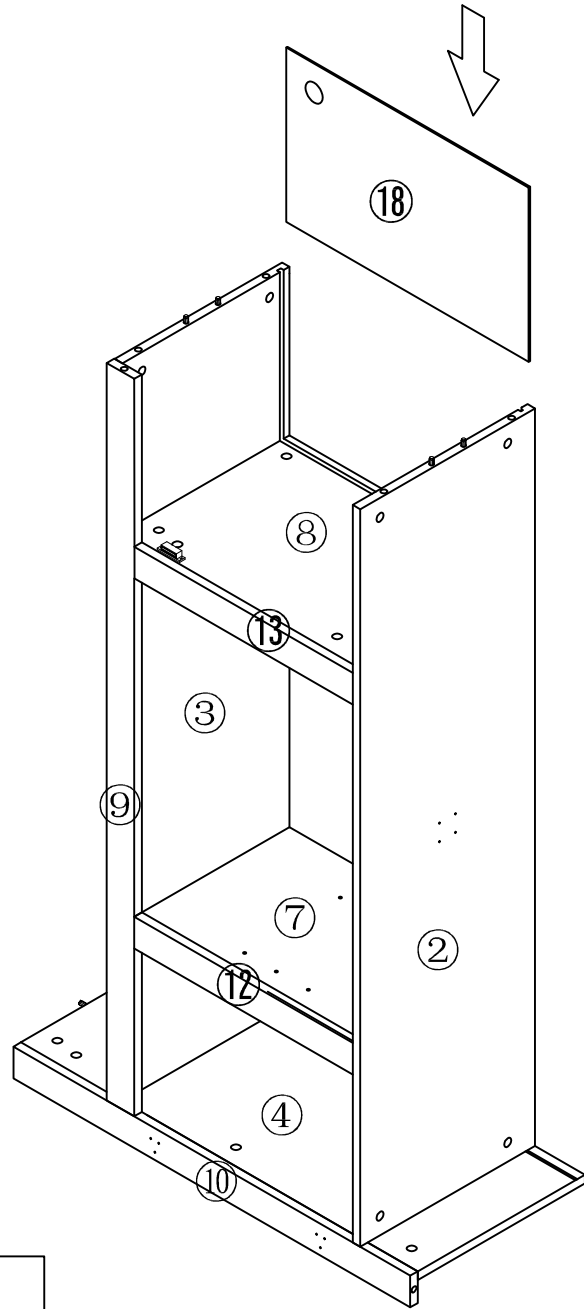


A2

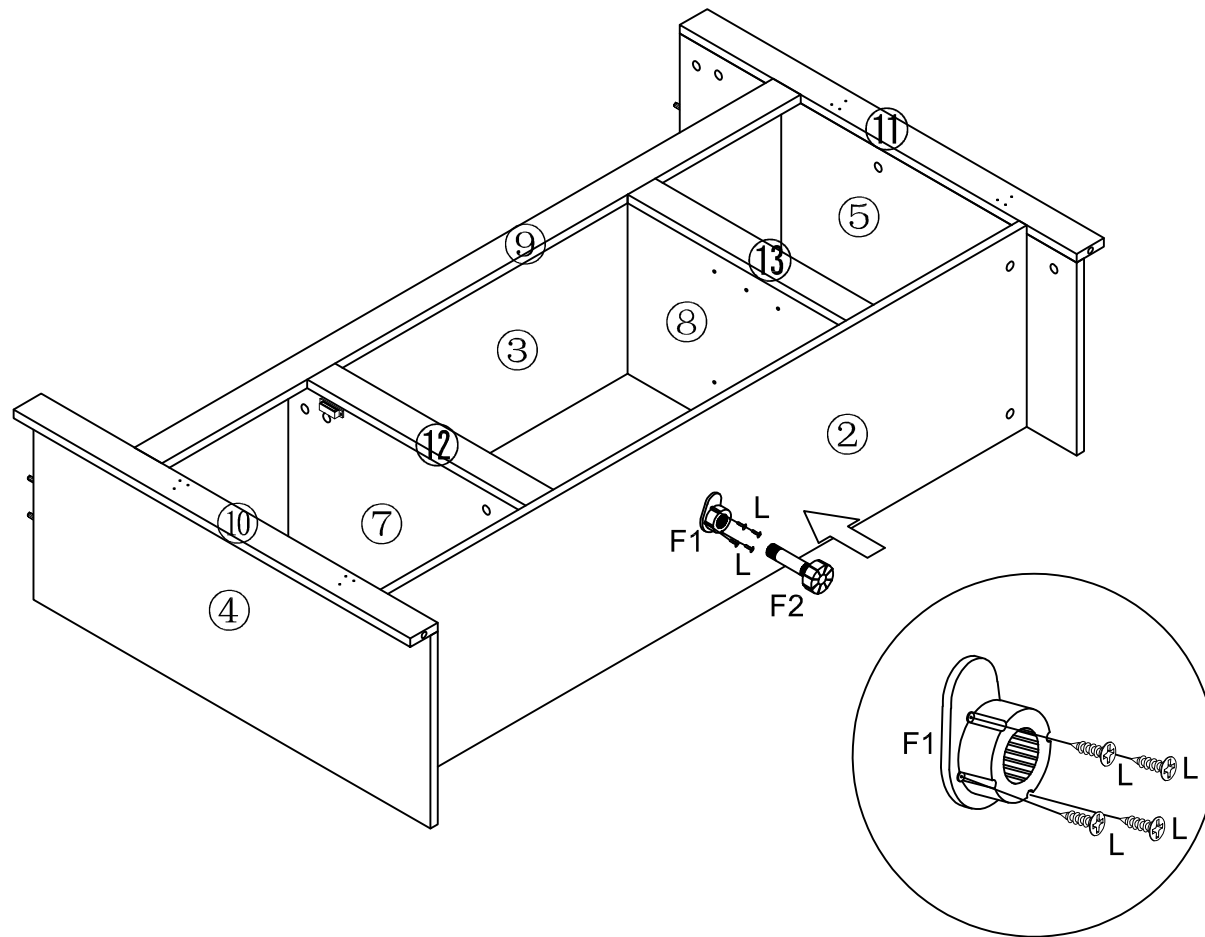


5pcs

11

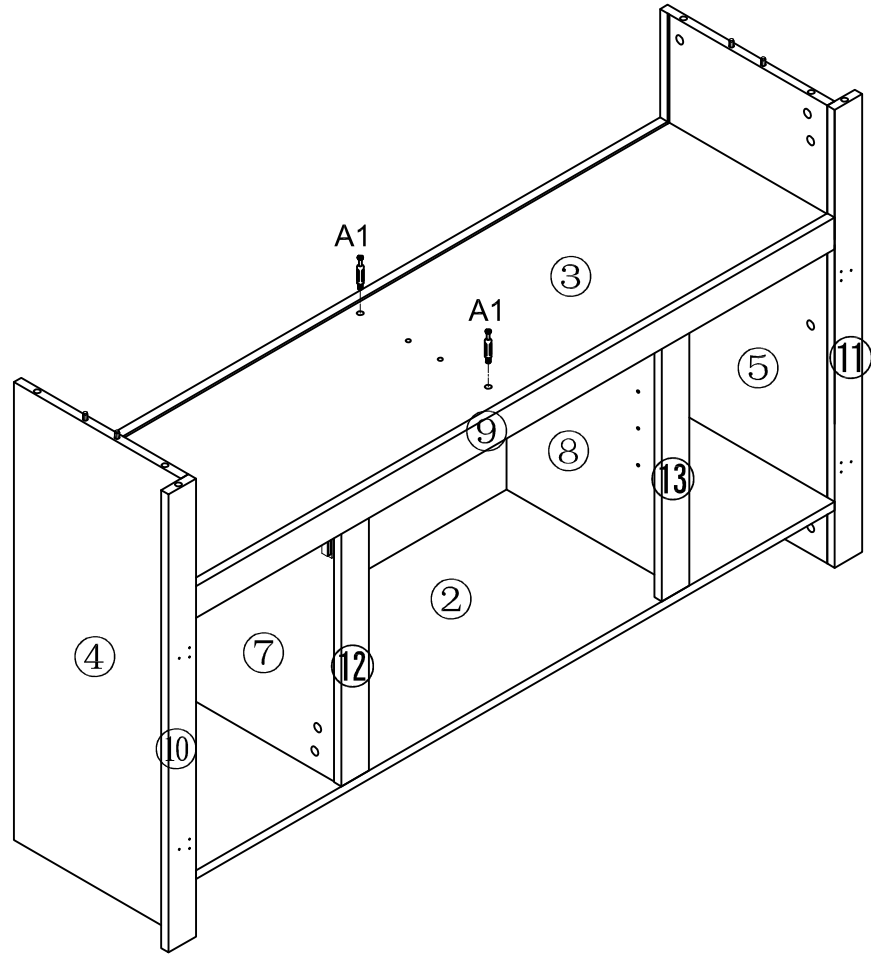


12



F1	F2	L	$\Phi 3.5 \times 14$
1pc	1pc	4pcs	

13

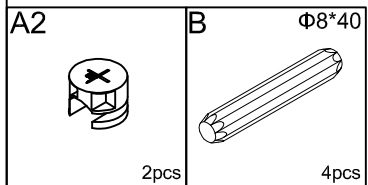
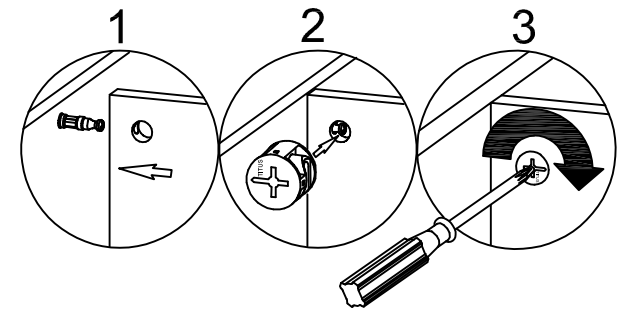
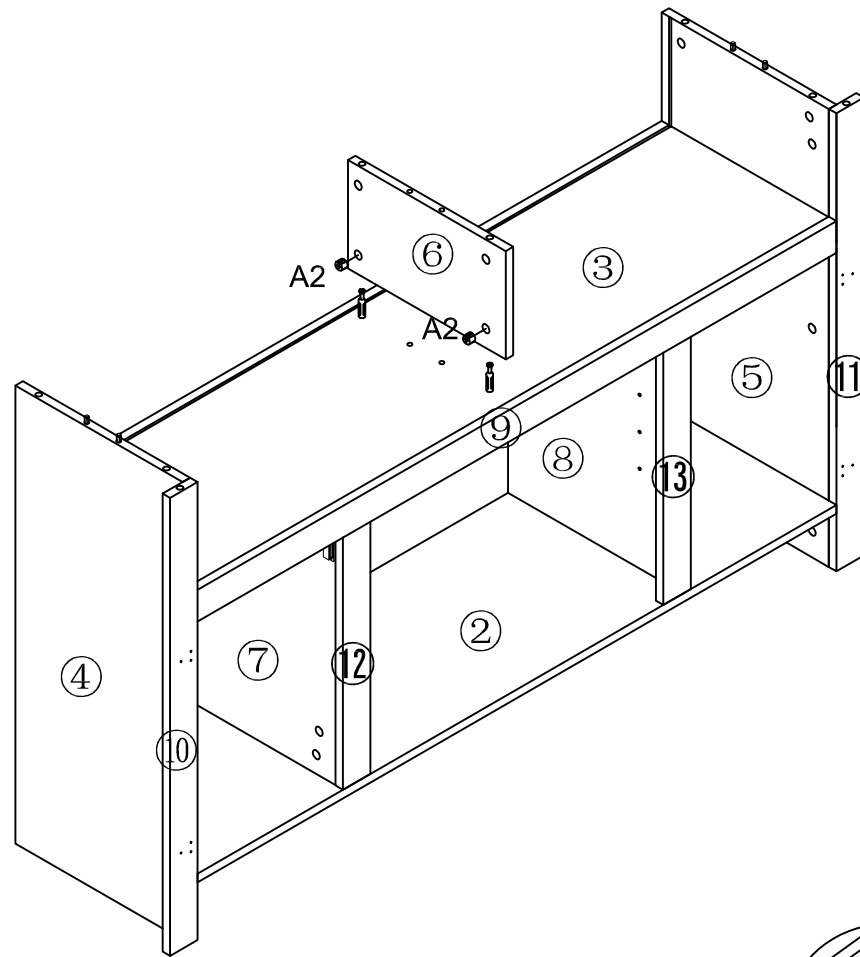
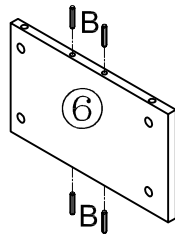


A1

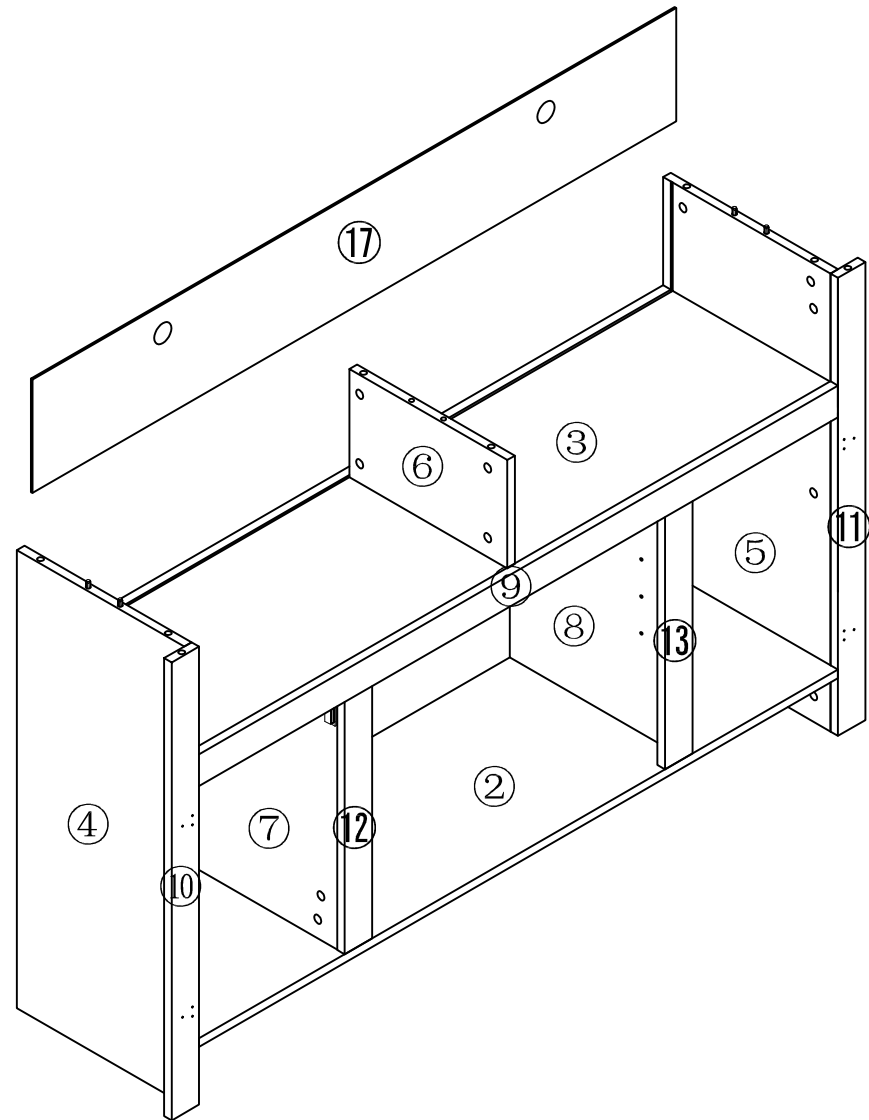


2pcs

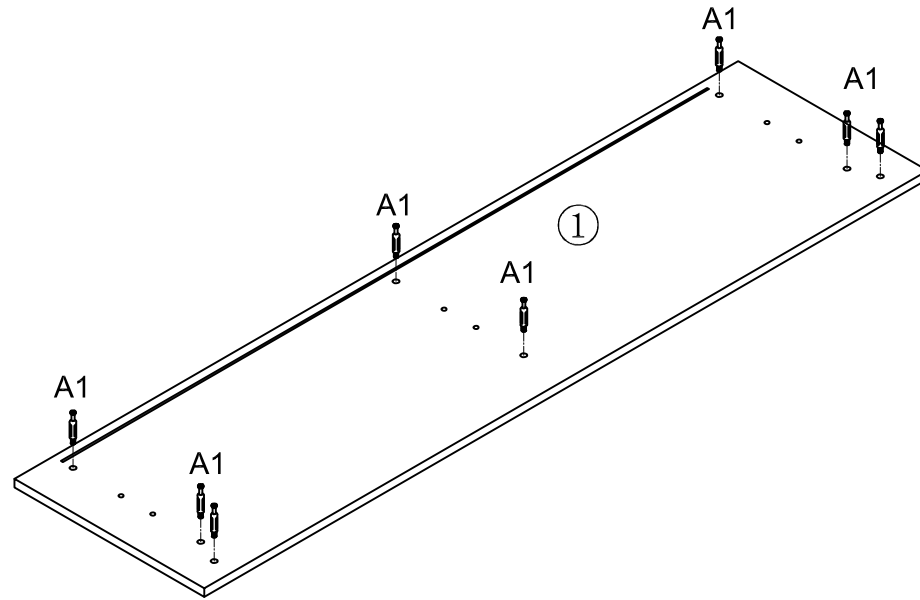
14



15



16

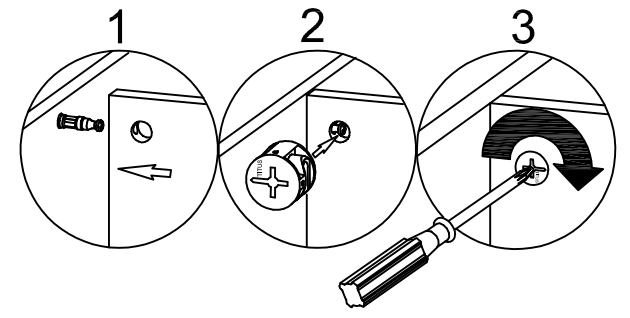
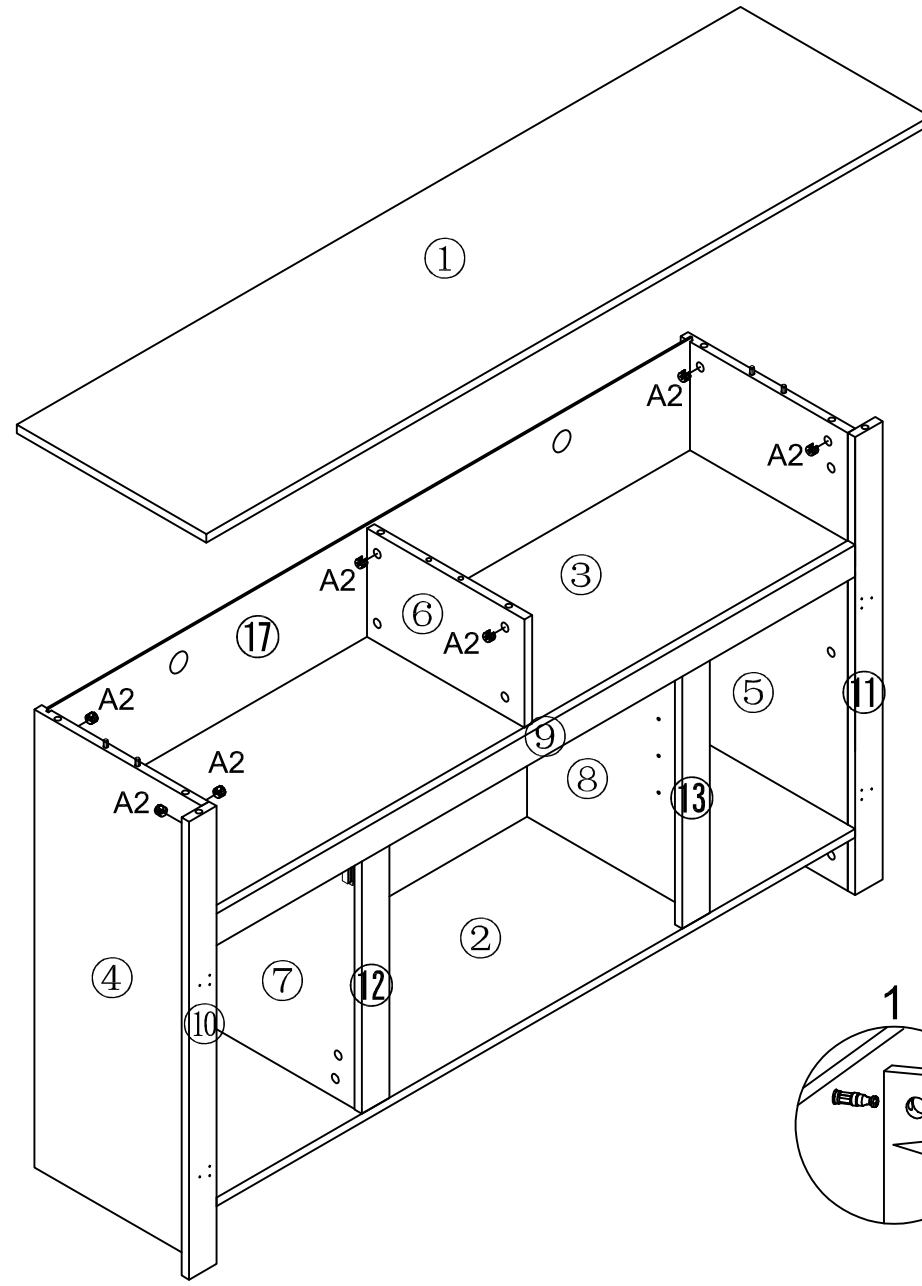


A1




8pcs

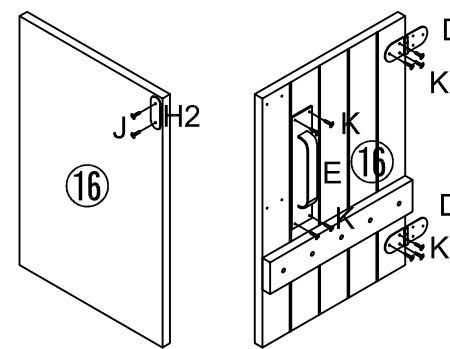
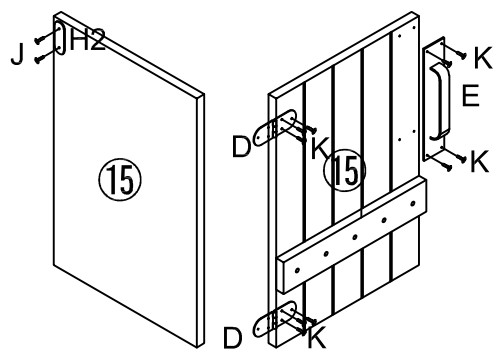
17

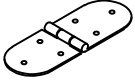






A2

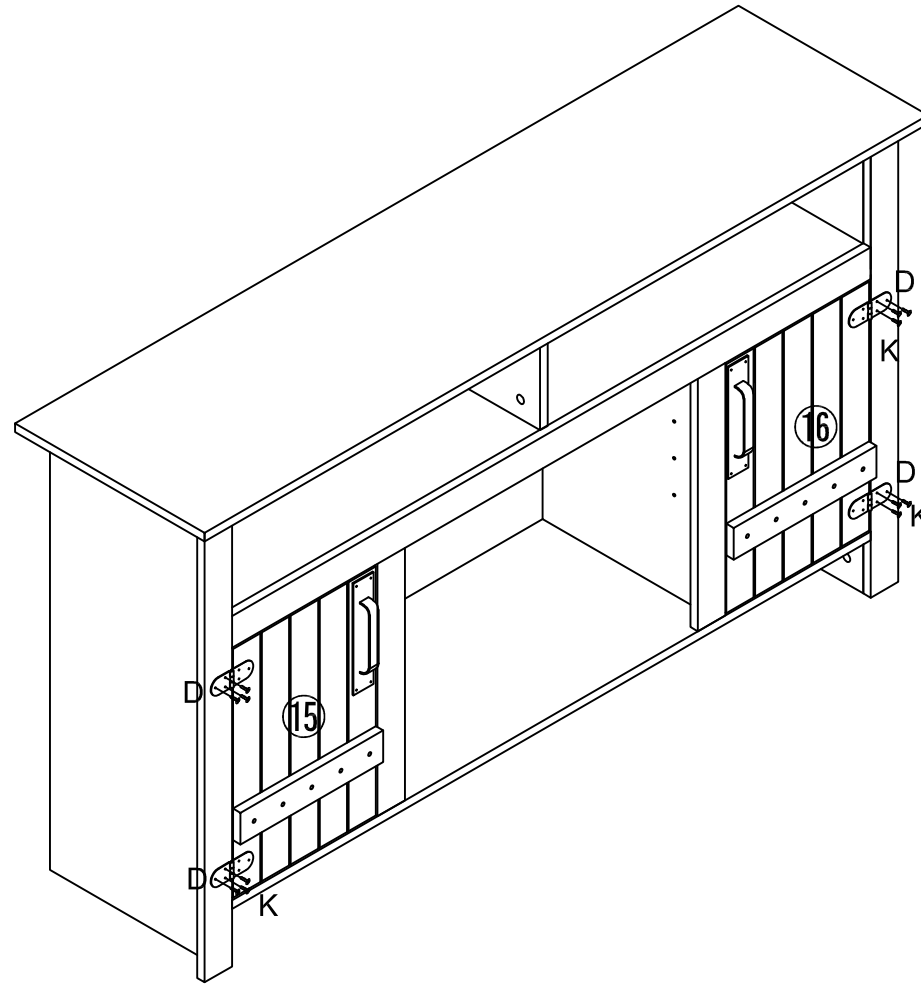


8pcs




<p>D</p>  <p>4pcs</p>	<p>E</p>  <p>2pcs</p>	<p>H2</p>  <p>2pcs</p>	<p>J</p> <p>Φ3*12</p>  <p>4pcs</p>	<p>K</p> <p>Φ3.5*14</p>  <p>20pcs</p>
---	--	---	---	--

19

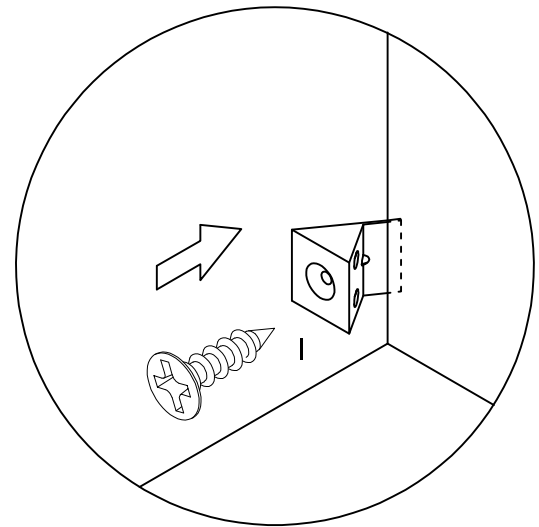
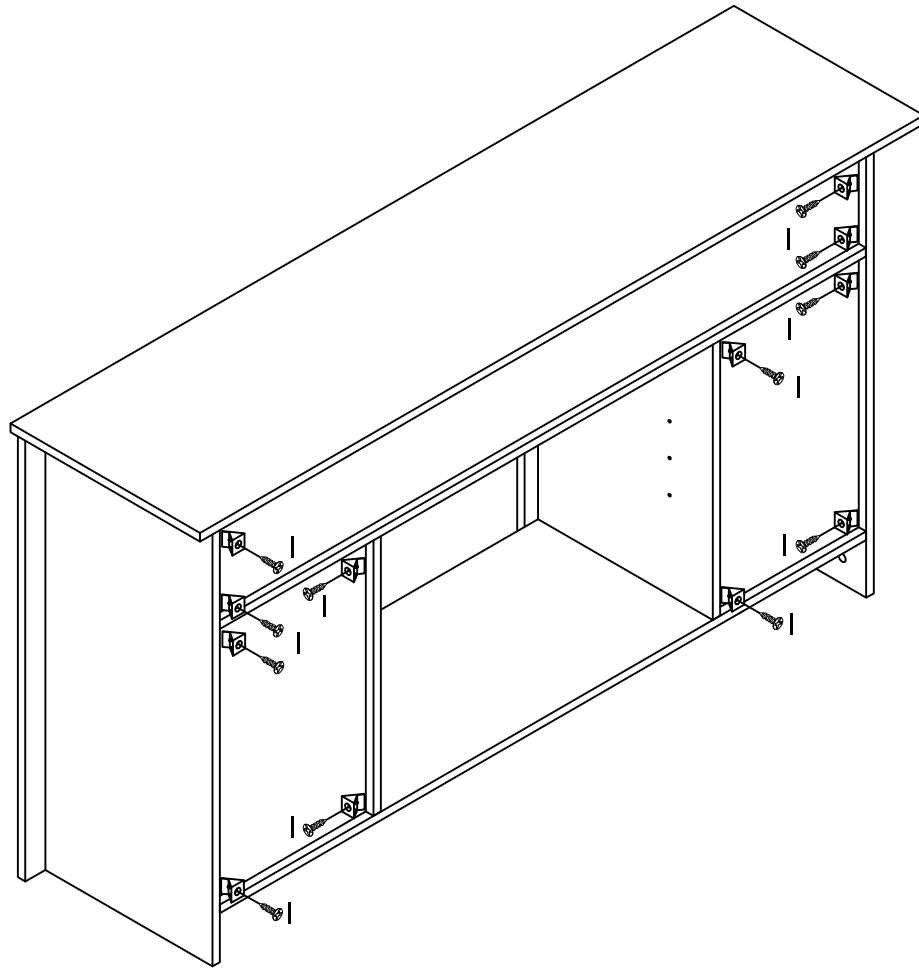


K $\Phi 3.5 \times 14$



12pcs

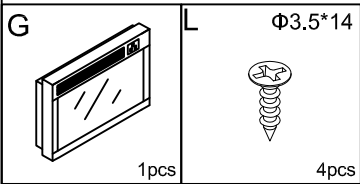
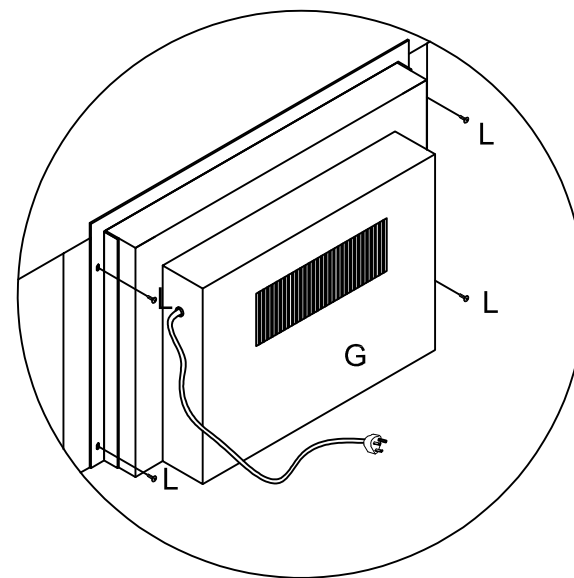
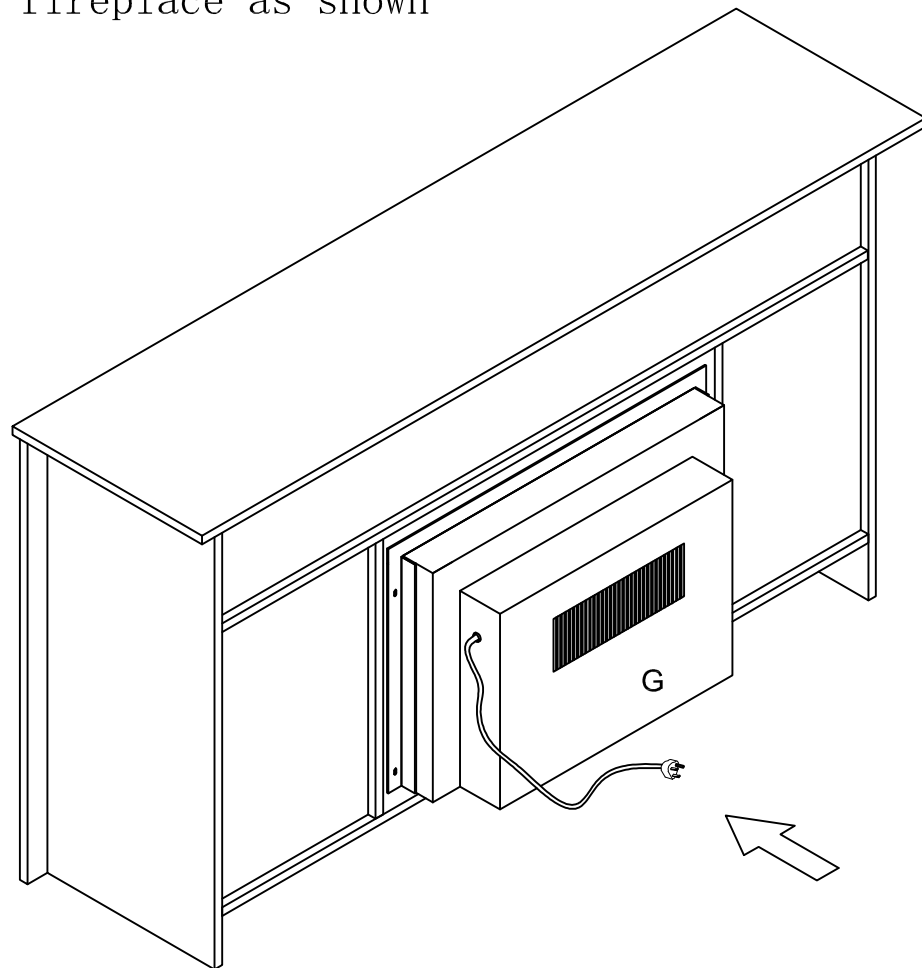
20



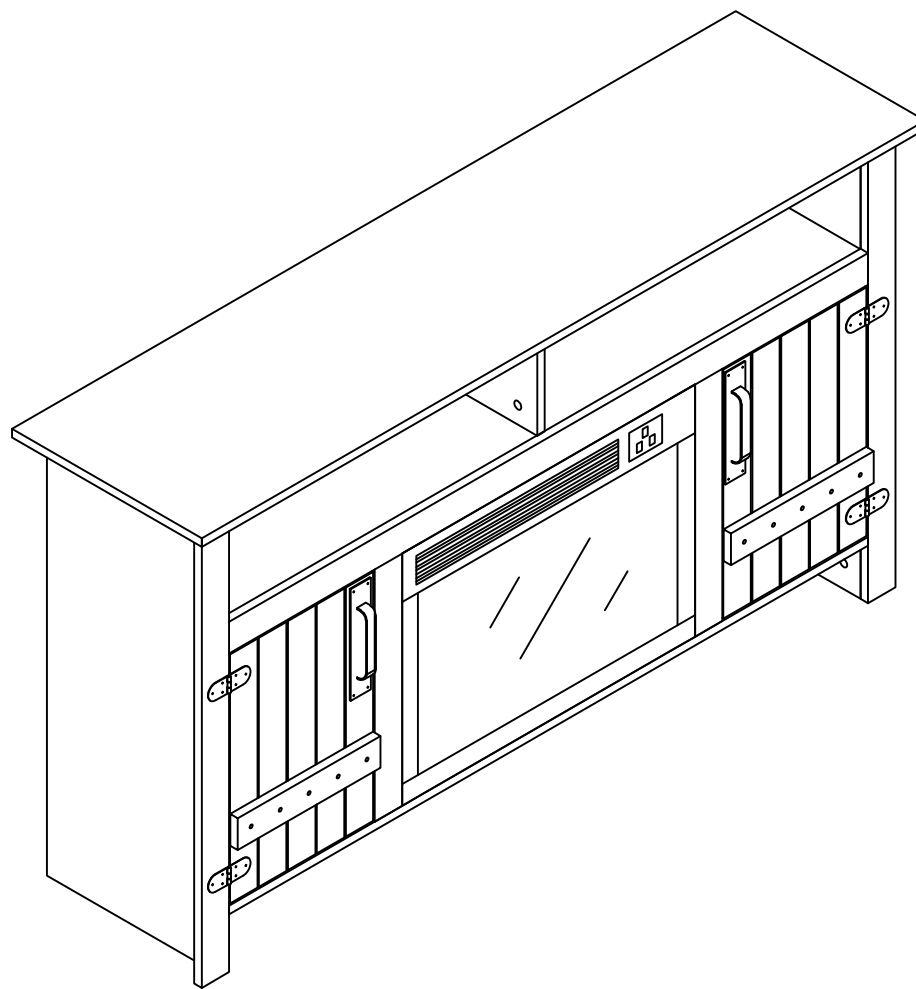
12pcs

21

Install the fireplace as shown

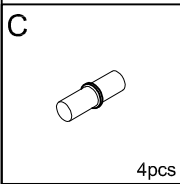
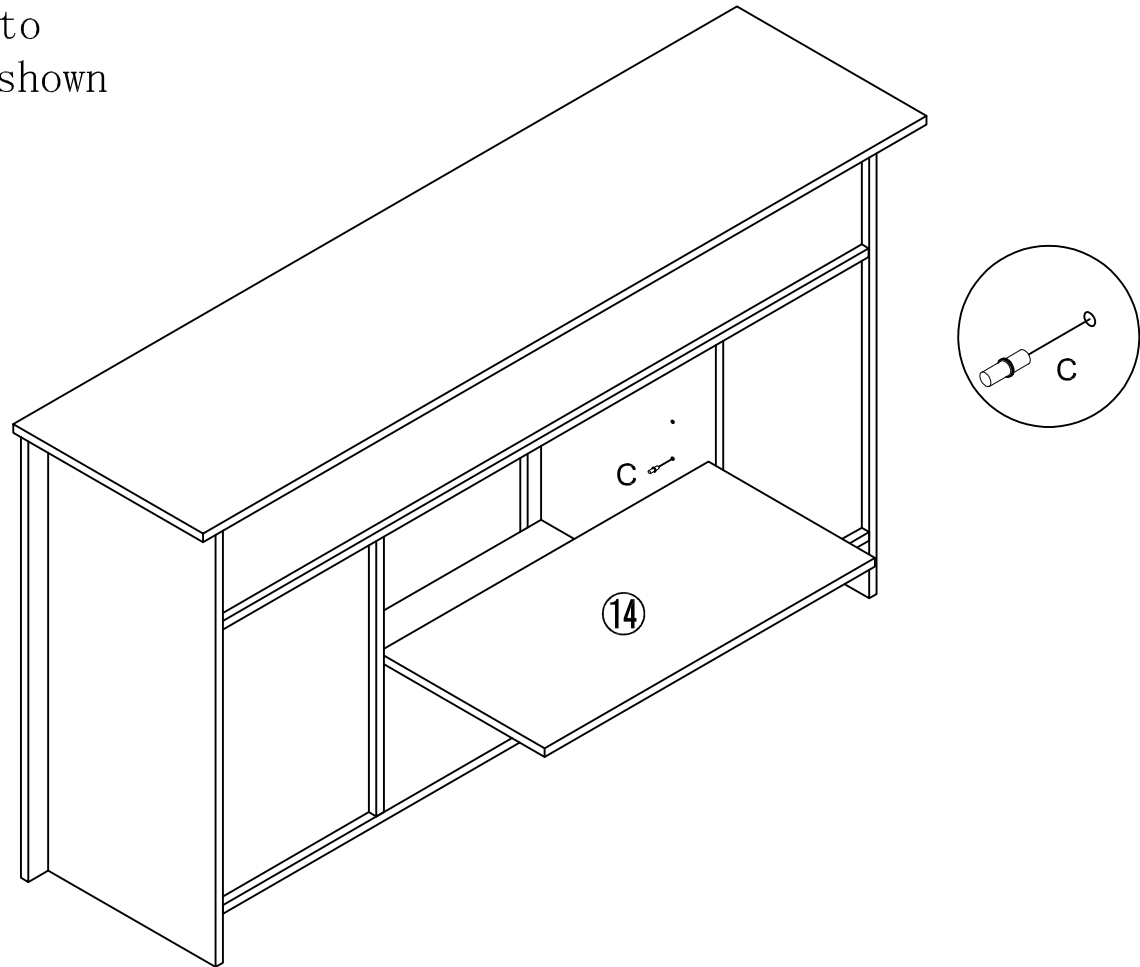


22



23

If you do not want to install the fireplace, you want to install the bulkhead as shown



4pcs

24

