


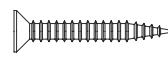
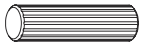

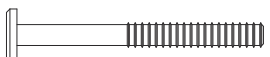






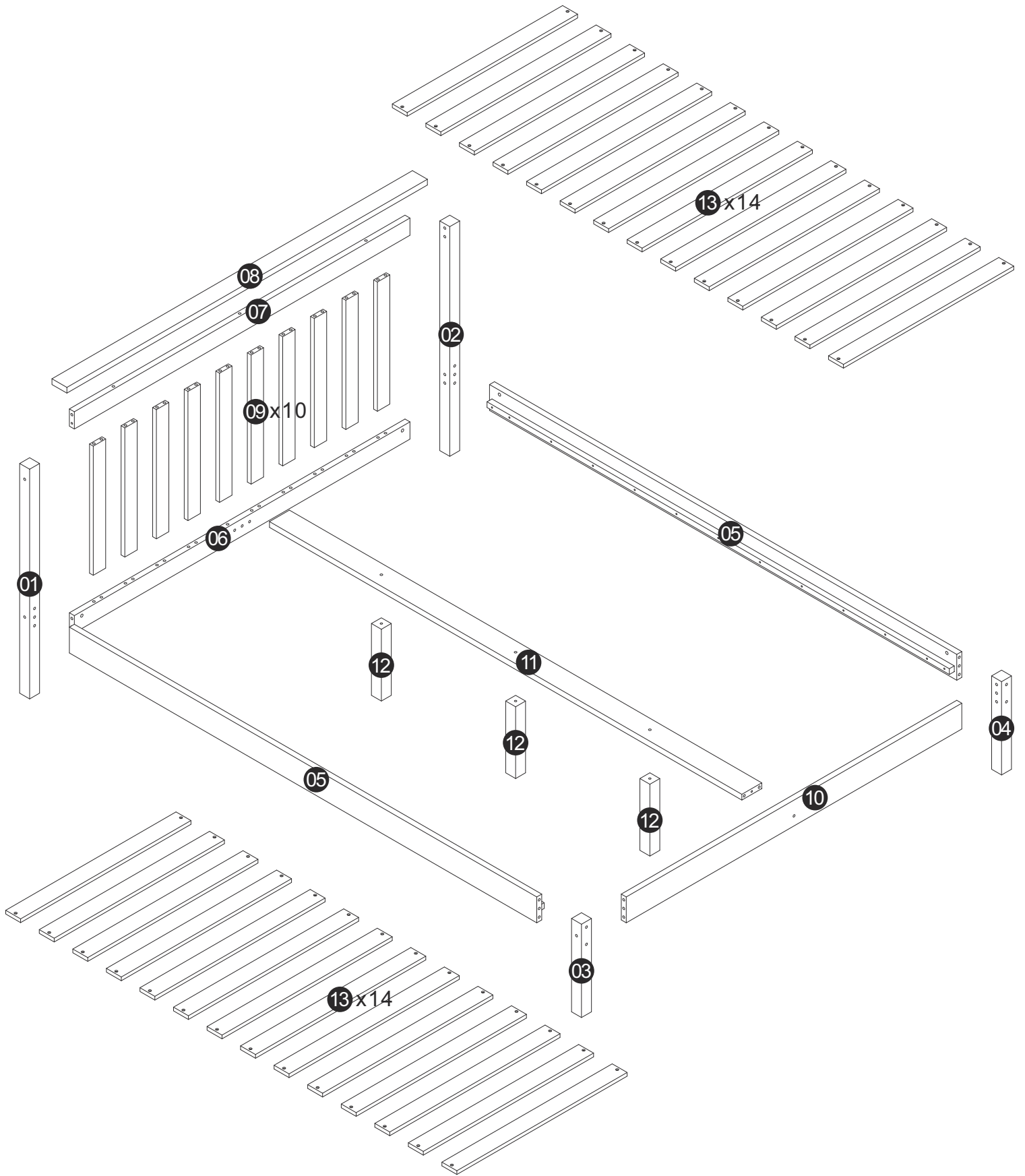

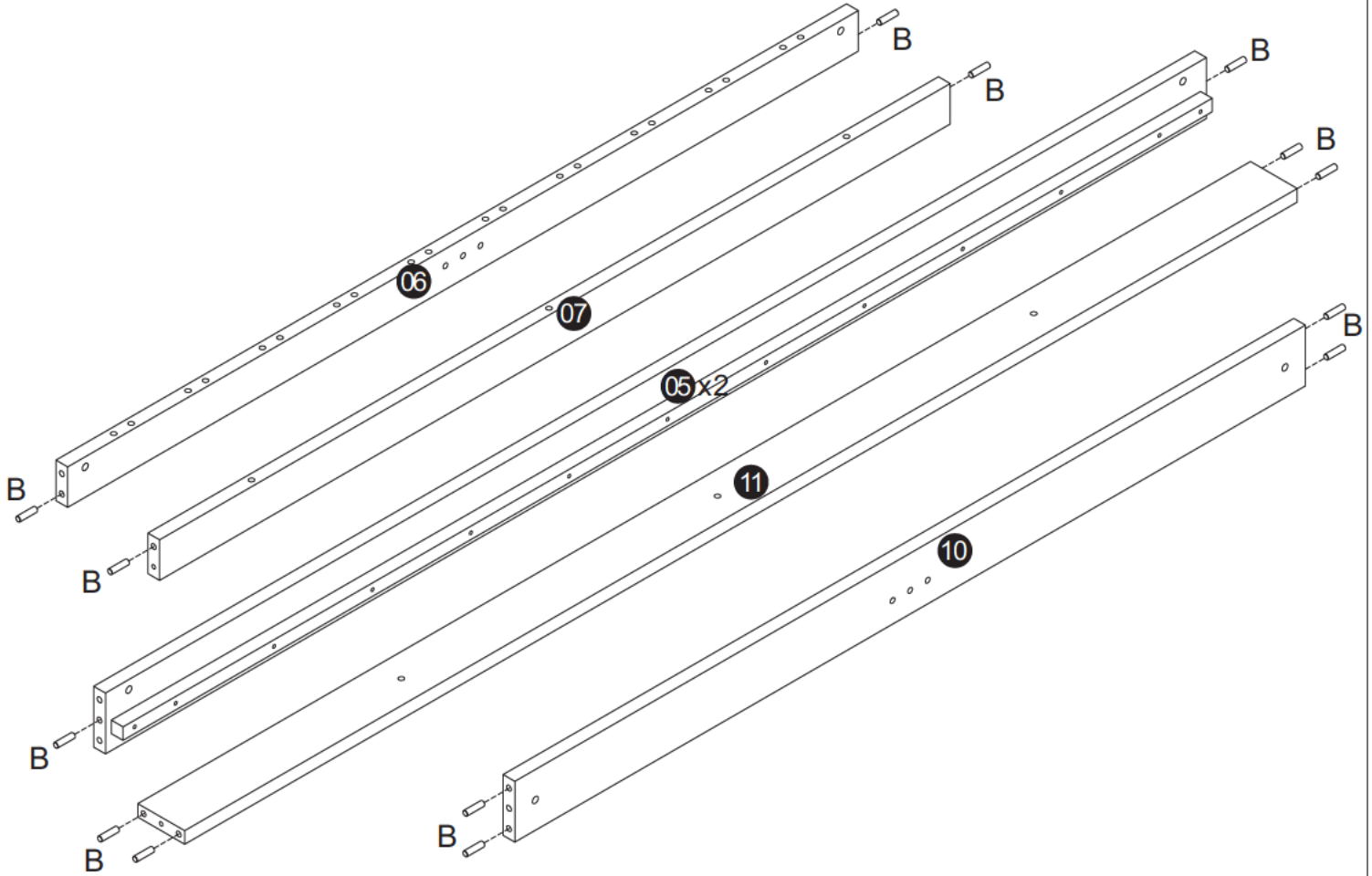


A	  M6x80	12	E	  $\Phi 4 \times 30$	56
B	 $\Phi 8 \times 30$	56	F	  M6x70	3
C		12	G	  $\Phi 6 \times 90$	2
D	  $\Phi 6 \times 70$	5	H		1




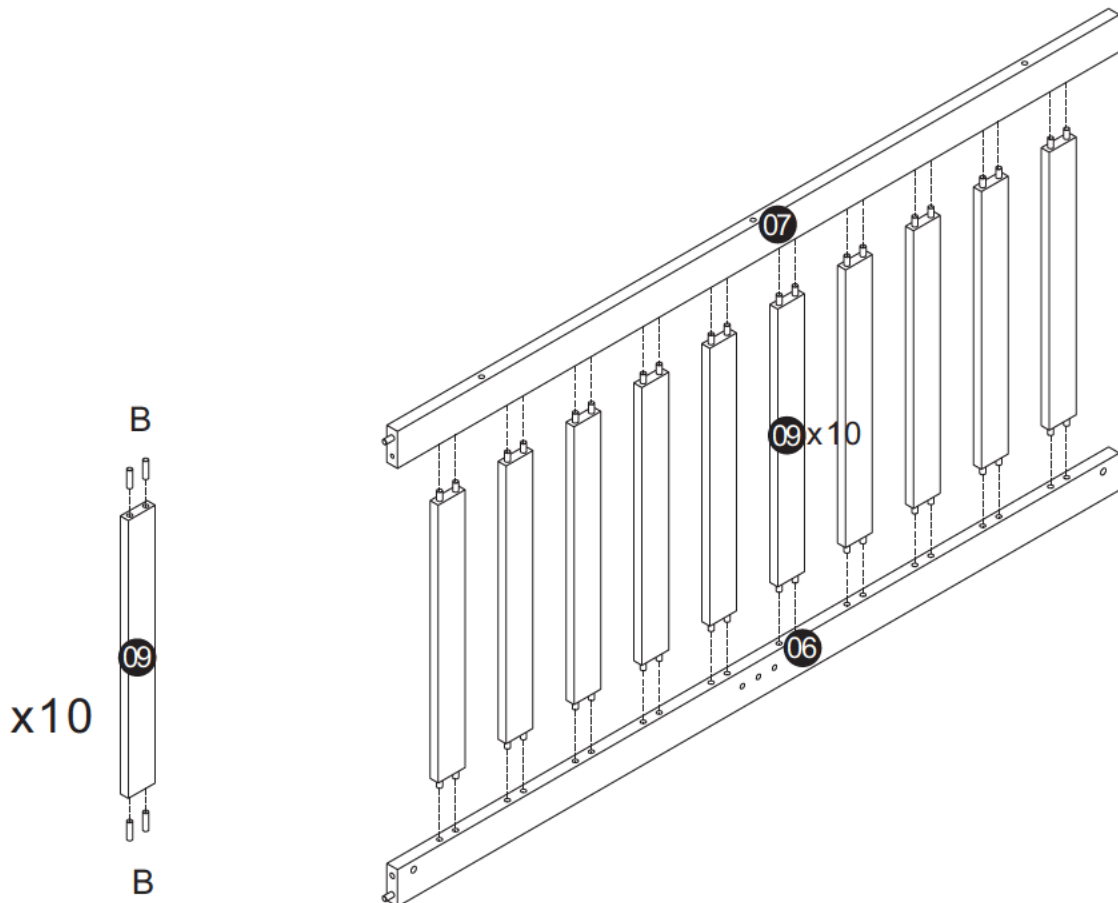
STEP 1

B	 $\Phi 8 \times 30$	16
---	---	----

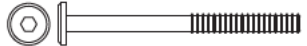




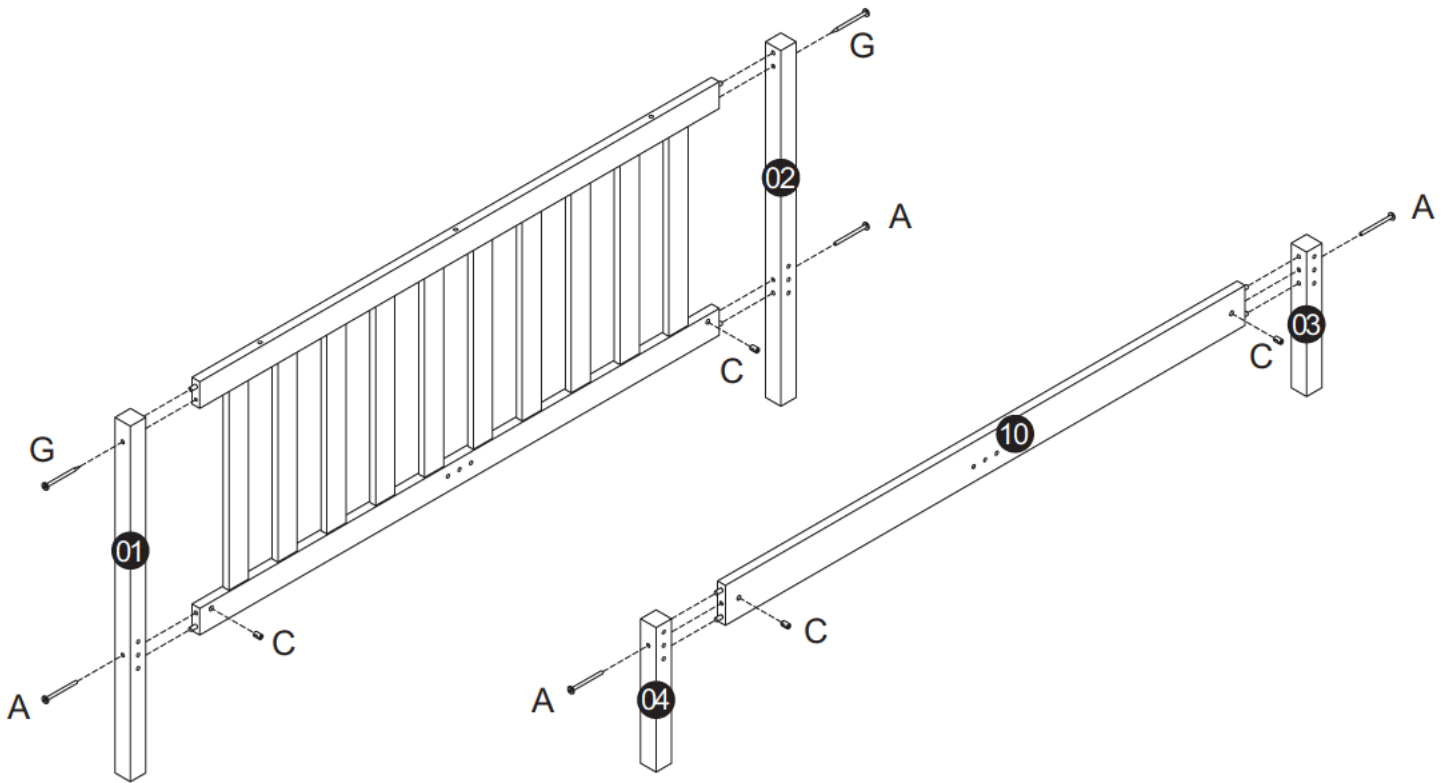
STEP 2

B	 $\Phi 8 \times 30$	40
---	--	----

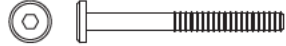


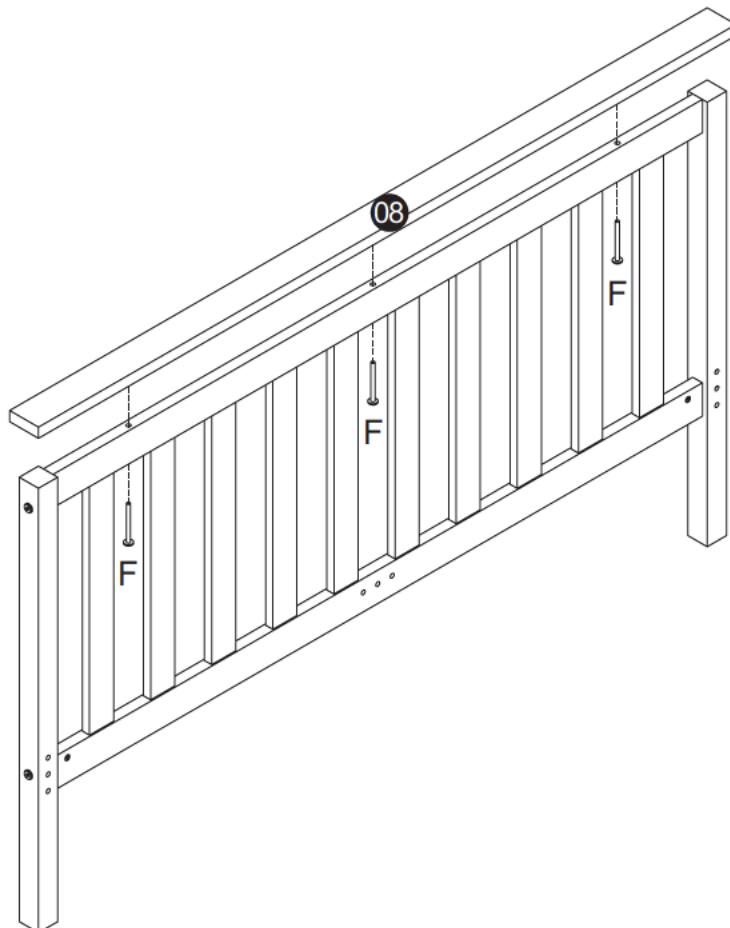
STEP 3

A		M6x80	4
C			4
G		Φ6x90	2



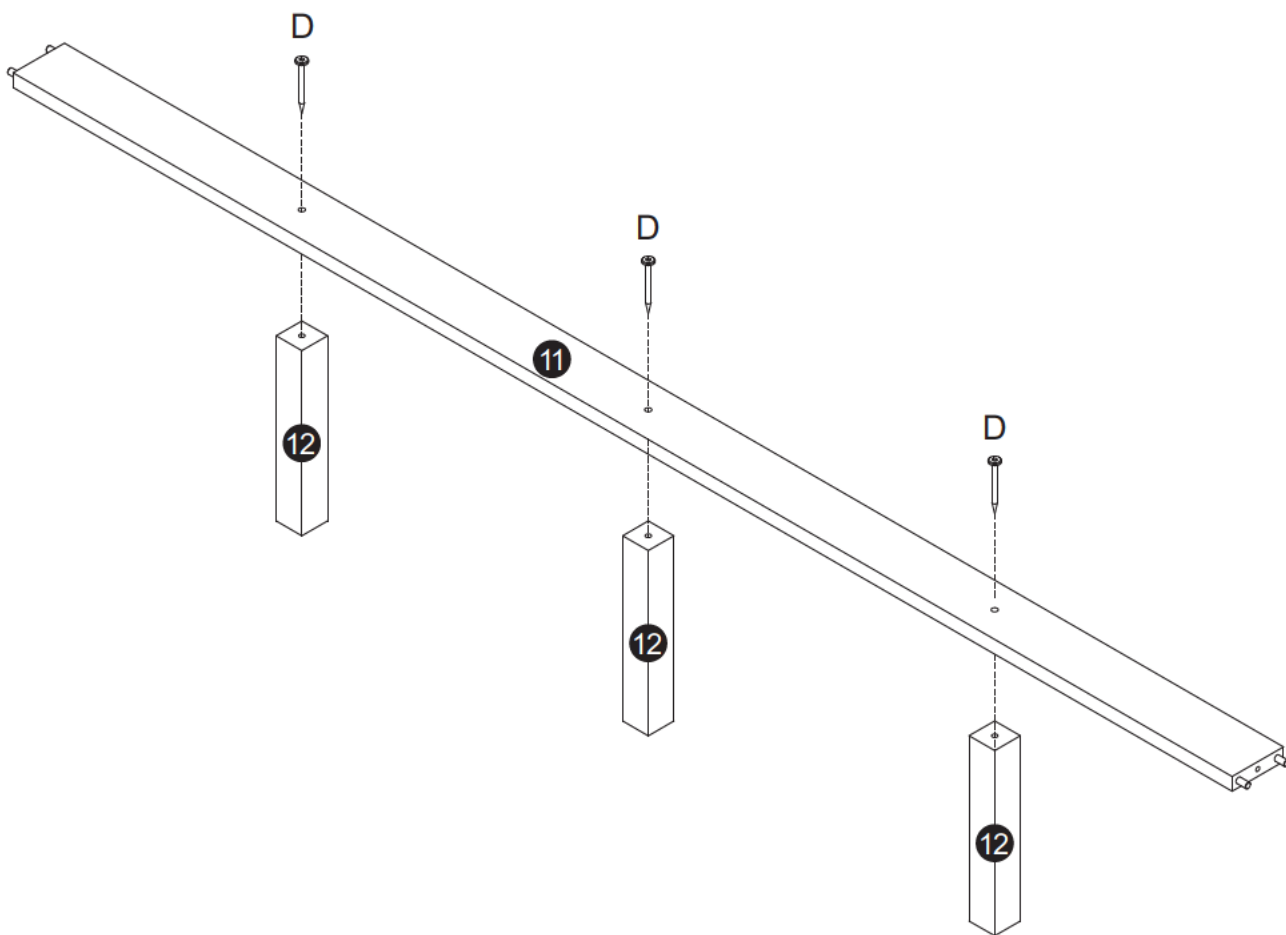
STEP 4

F		M6x70	3
---	---	-------	---

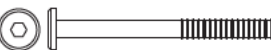

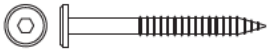


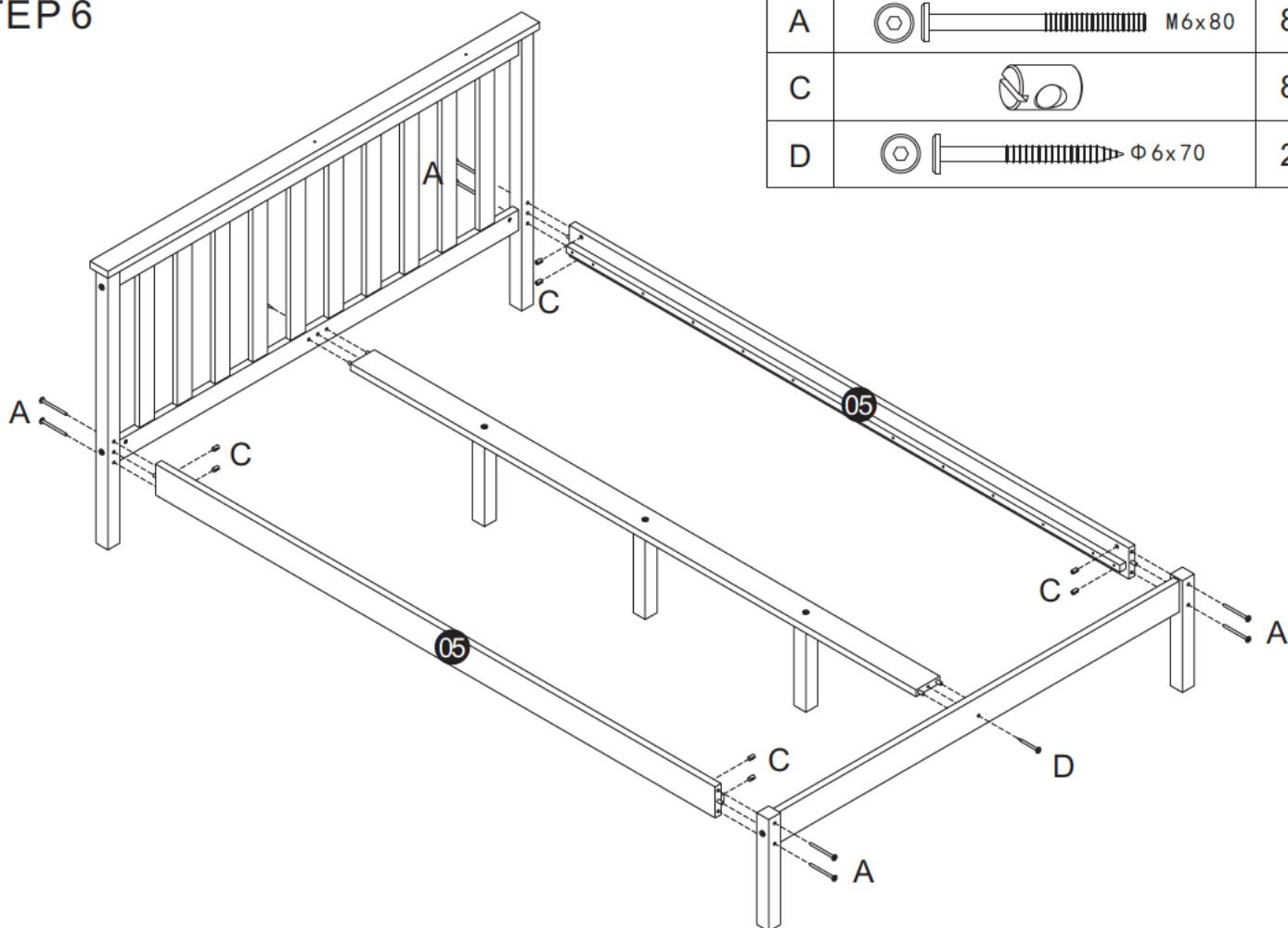
STEP 5

D		Φ 6x70	5
---	--	--------	---



STEP 6

A		M6x80	8
C			8
D		Φ 6x70	2



STEP 7

E



56

