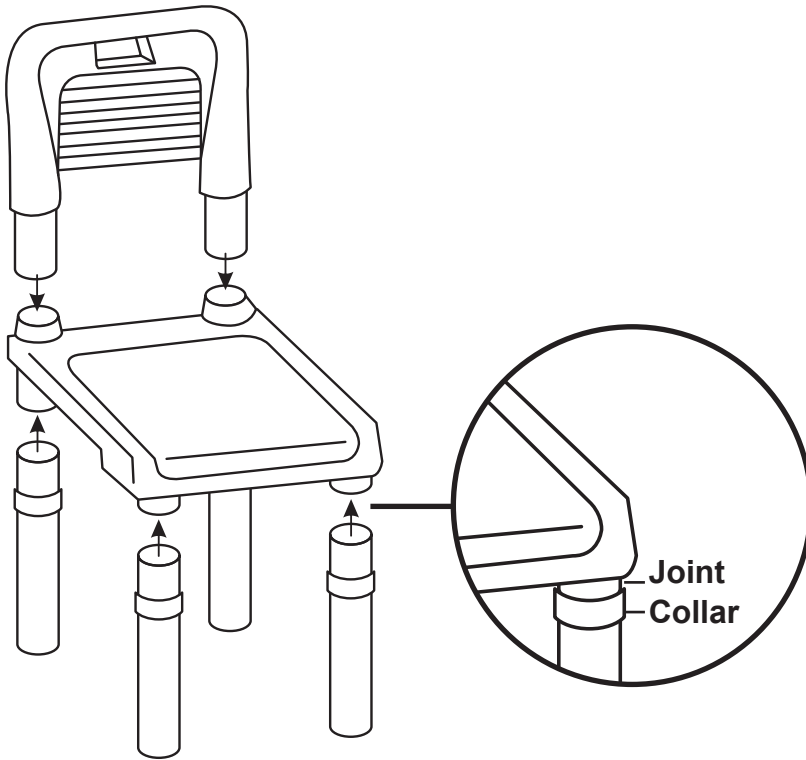


**Fully insert all chair legs correctly.**



**Push with force to ensure the legs are fixed properly. The leg collar should sit firmly against the joint.**

**COMPLETE**

