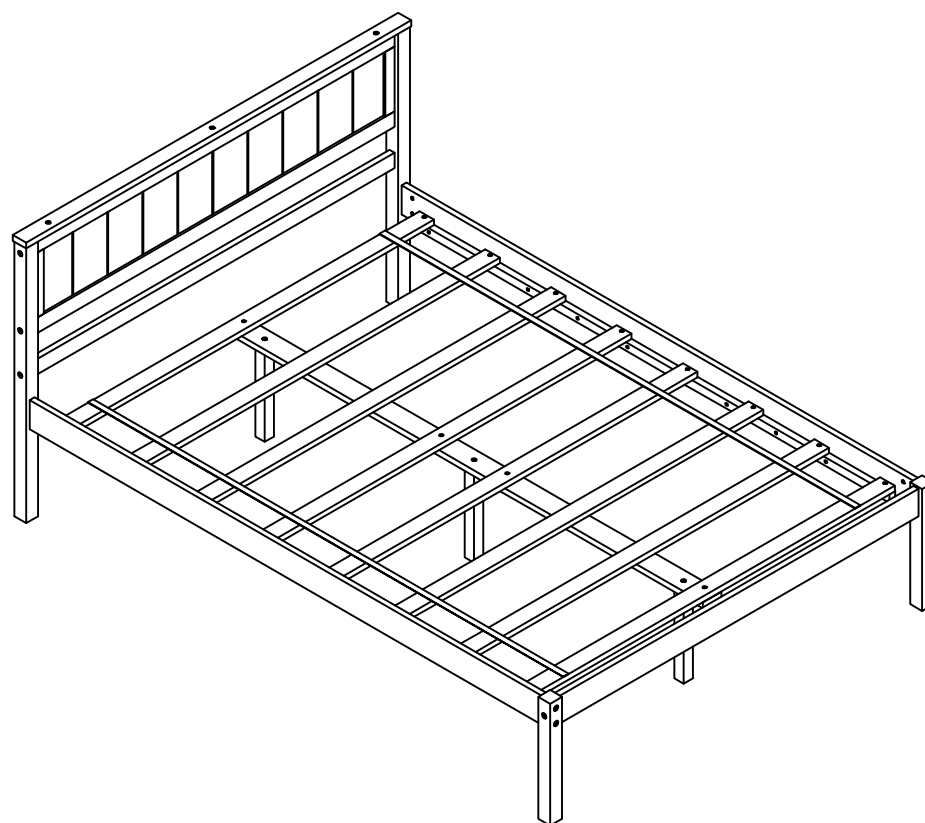
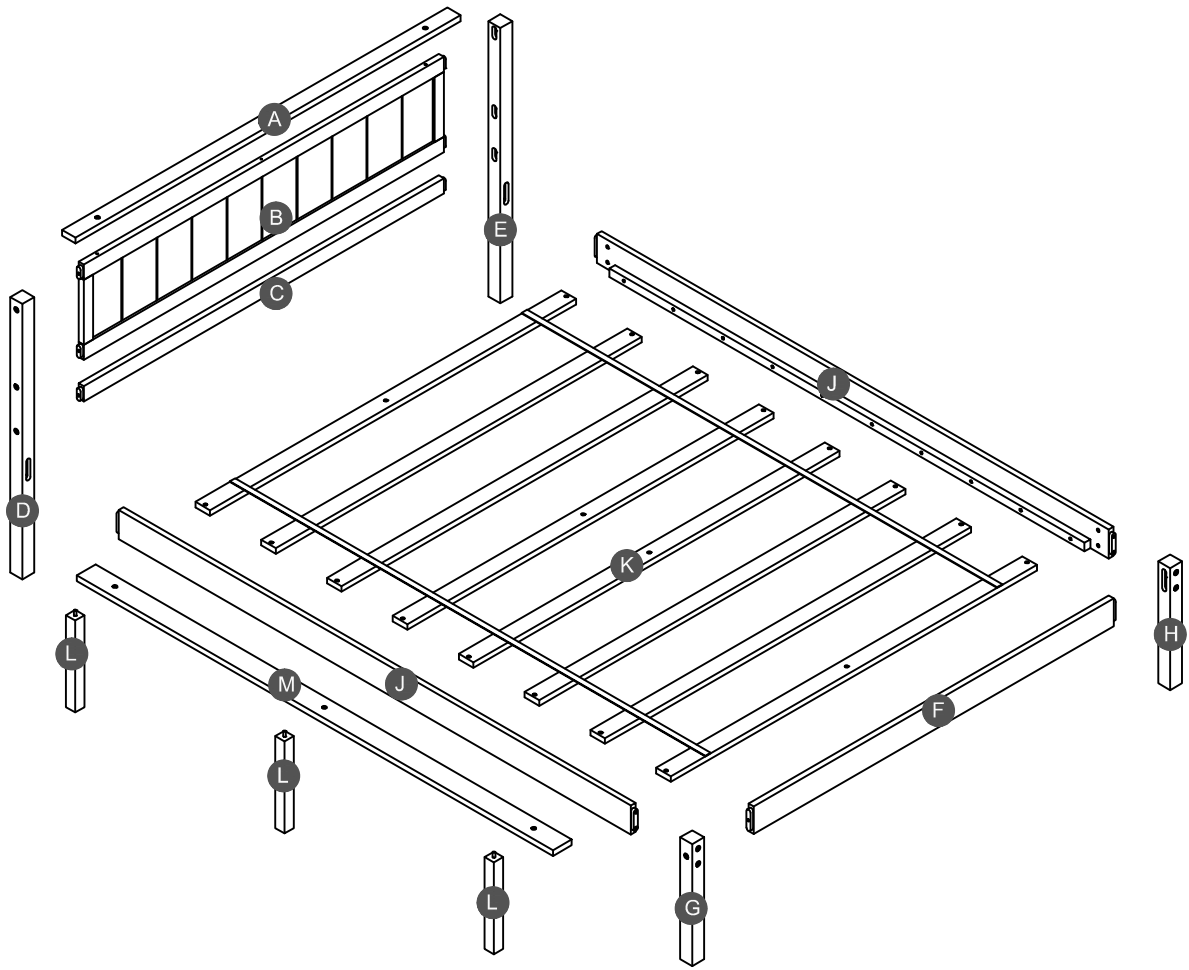


# ASSEMBLY INSTRUCTIONS


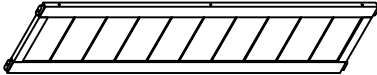
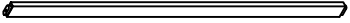
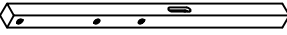

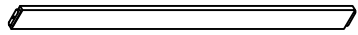
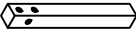
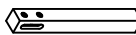

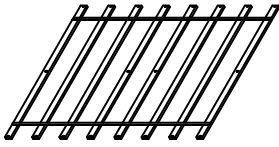
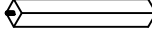

## FULL BED



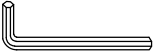
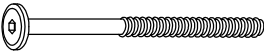
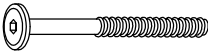



# Detail View



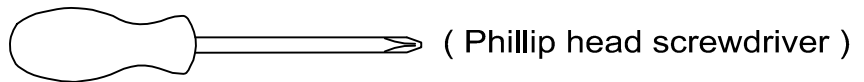
# Part List

<p><b>A</b></p>  <p>Cap for HB - 1pc</p>	<p><b>B</b></p>  <p>HB Frame - 1pc</p>	<p><b>C</b></p>  <p>Horizontal bar (HB)- 1pc</p>
<p><b>D</b></p>  <p>Leg HB (Left) - 1pc</p>	<p><b>E</b></p>  <p>Leg HB (Right) - 1pc</p>	<p><b>F</b></p>  <p>Horizontal (FB) - 1pc</p>
<p><b>G</b></p>  <p>Leg FB (Left) - 1pc</p>	<p><b>H</b></p>  <p>Leg FB (Right) - 1pc</p>	<p><b>J</b></p>  <p>Side rail - 2pcs</p>
<p><b>K</b></p>  <p>Slats - 8pcs</p>	<p><b>L</b></p>  <p>Leg support - 3pcs</p>	<p><b>M</b></p>  <p>Support slat - 1pc</p>

# Hardware List



<b>1</b>  (1/4")4.5*58mm Allen key (1pc)	<b>2</b>  (Ø15)1/4"*100mm Hex-Head bolts (8pcs)	<b>3</b>  (Ø15)1/4"*80mm Hex-Head bolts (8pcs)
<b>4</b>  (Ø12)1/4"*40mm Hex-Head bolts (3pcs)	<b>5</b>  1/4"*15 (9.5mm) Horizontal-Hole bolts(16pcs)	<b>6</b>  Ø4*30mm Wood screws (20pcs)

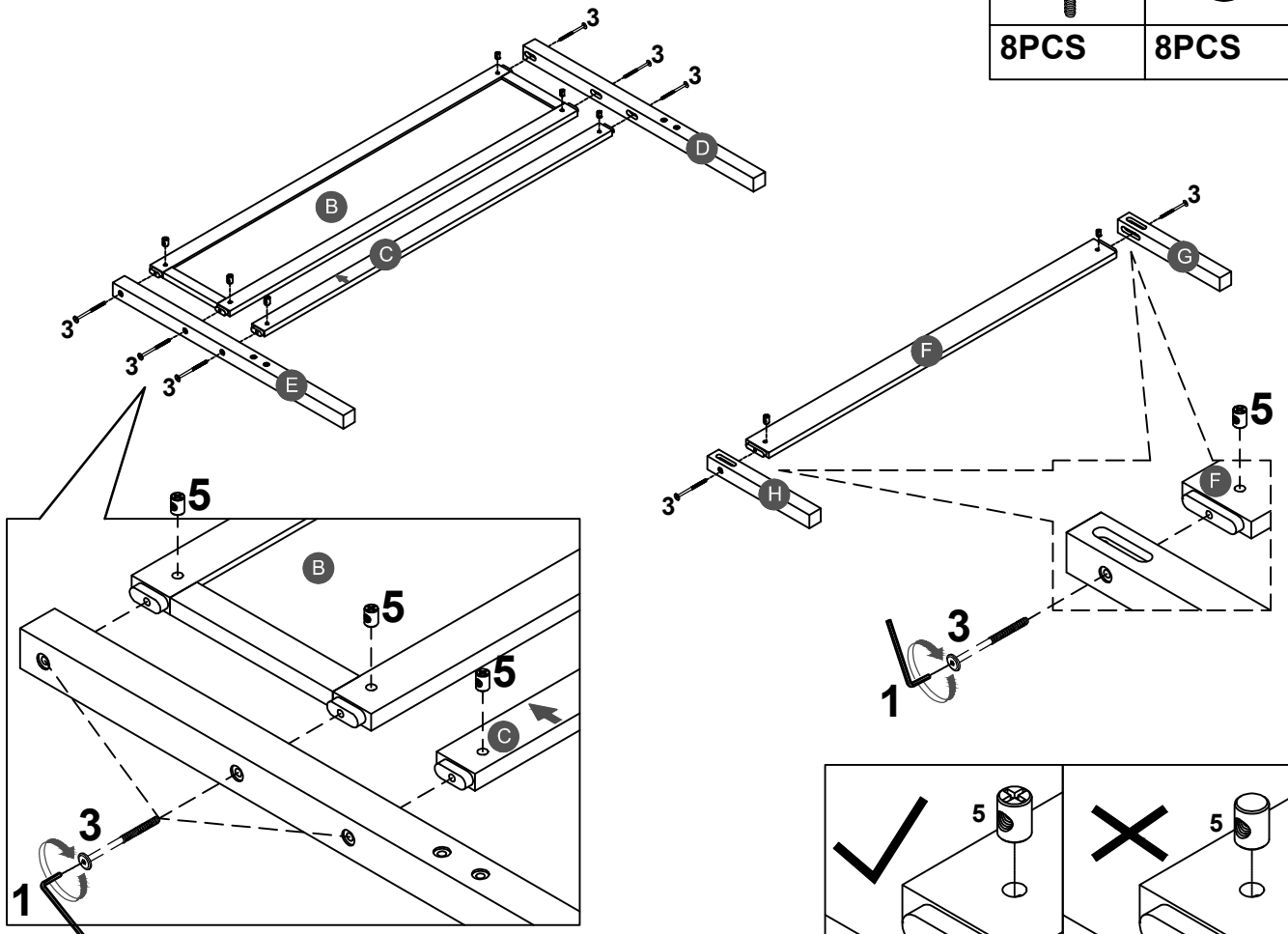
## ASSEMBLY TOOLS REQUIRED ( NOT INCLUDED )



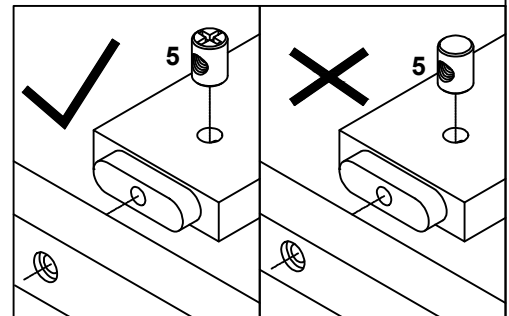
DO NOT USE POWER TOOLS TO ASSEMBLE THIS PRODUCT !

# STEP 1:

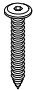
<b>3</b>		<b>5</b>	
<b>8PCS</b>		<b>8PCS</b>	

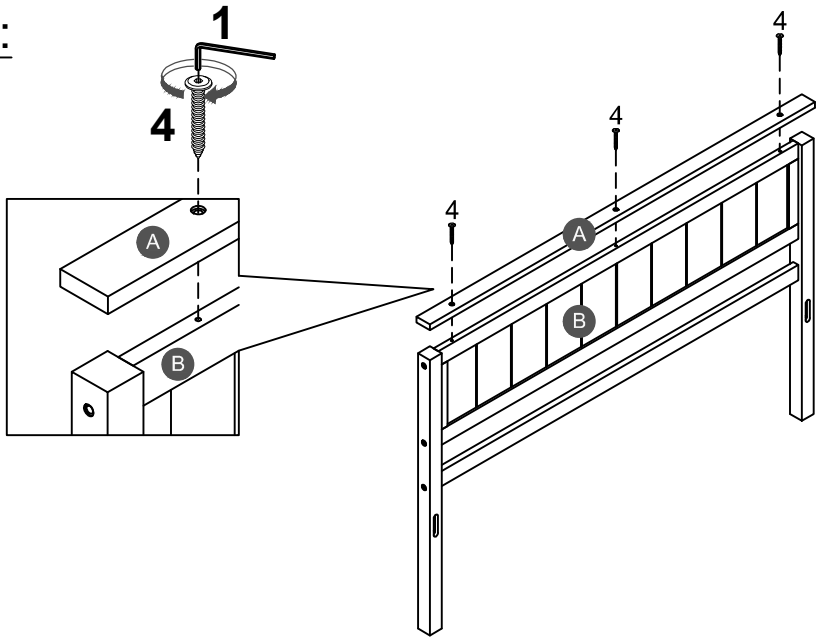


Note: Part 5 will face up with the "x" mark on it, otherwise it cannot be tightened

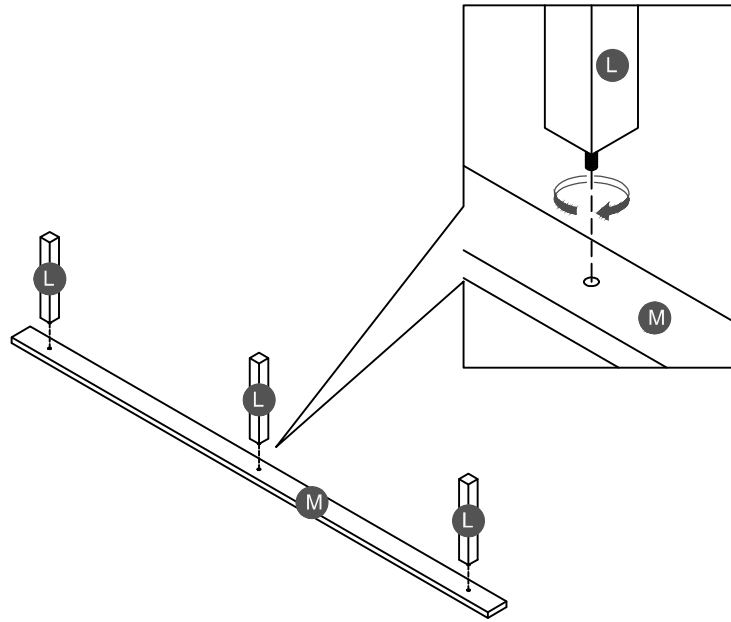


# STEP 2:



<b>4</b>	
<b>3PCS</b>	

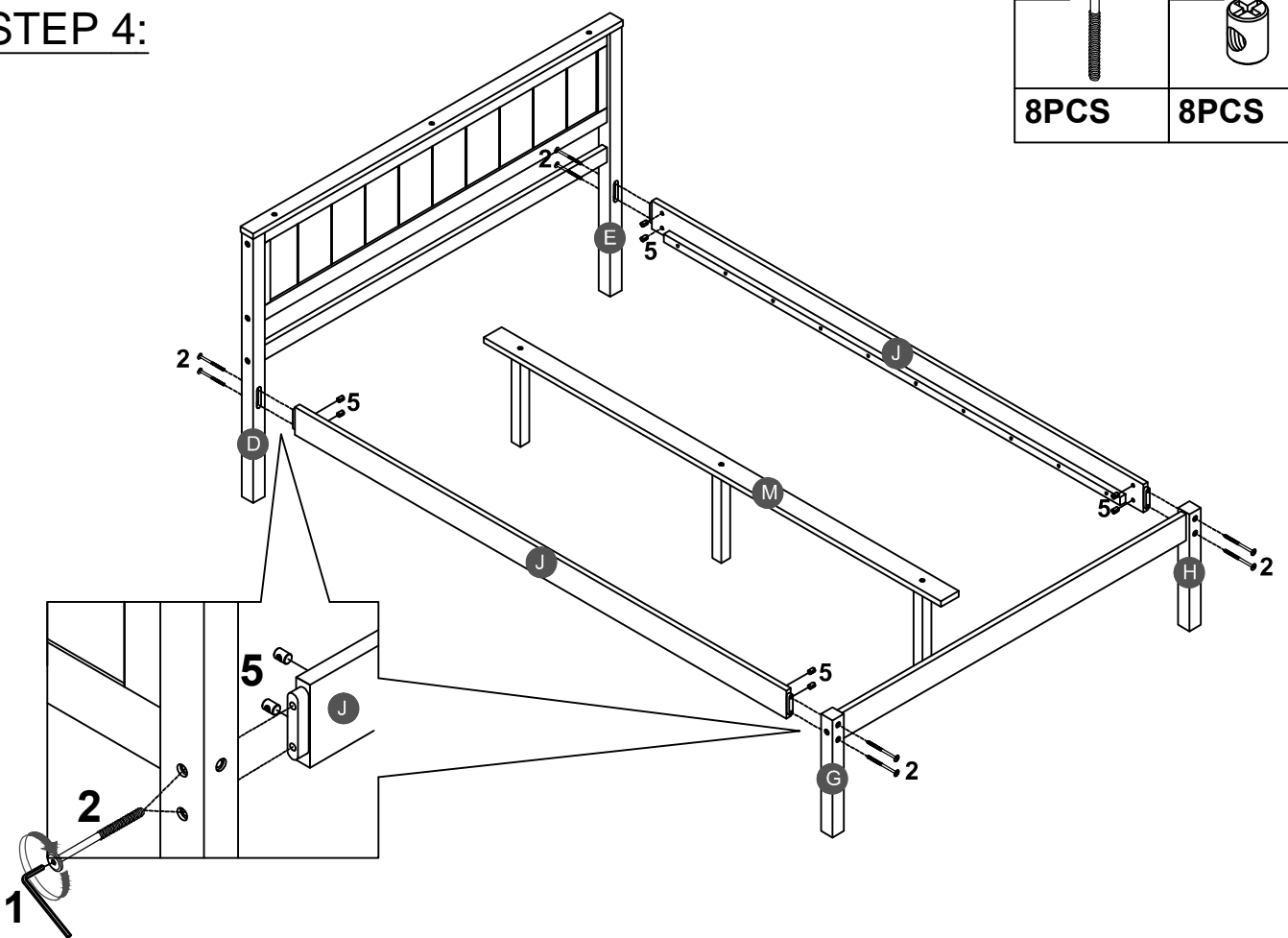


**STEP 3:**



**STEP 4:**

<p><b>2</b></p> 	<p><b>5</b></p> 
<p><b>8PCS</b></p>	<p><b>8PCS</b></p>

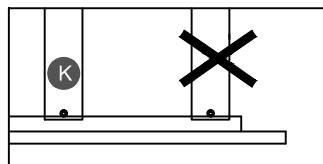
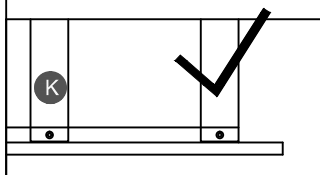
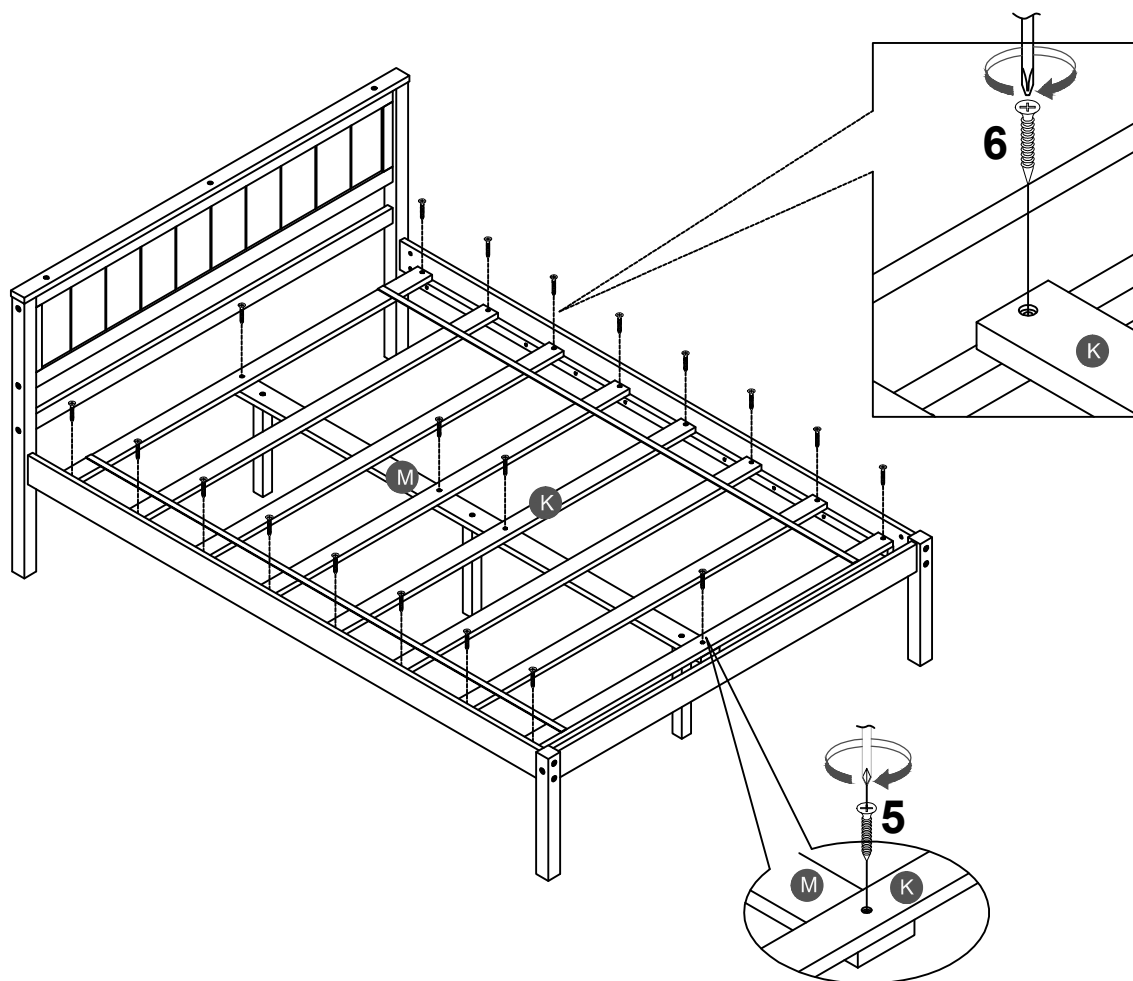


# STEP 5:

6



20PCS



Note: Do not lock the screws of the bed slats to the outermost edge of the bed slats, you need to leave a certain space at the edges, otherwise it will cause the board to break