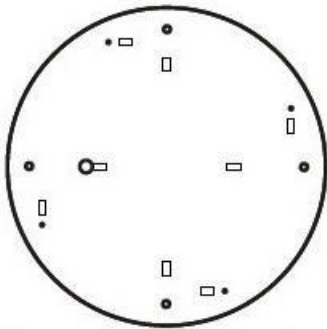


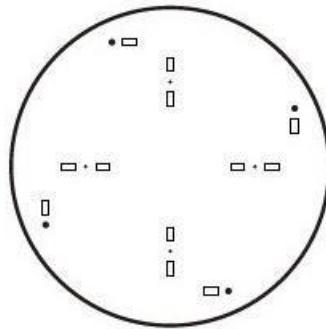
Installation manual

If you have any questions during the installation process, please write to us on Amazon, We will help you solve the problem within 24 hours, Thank you for your purchase!

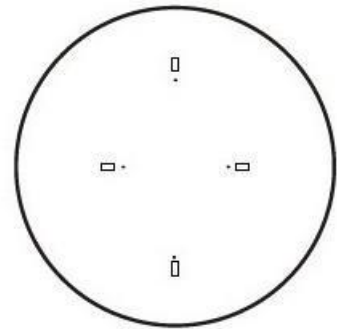
Component list



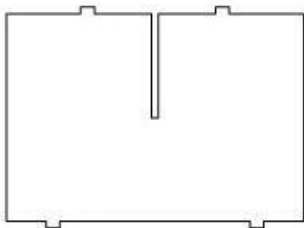
① Bottom plate (1 PCS)



② Mid-layer board (3PCS)



③ Roof(1 pcs)



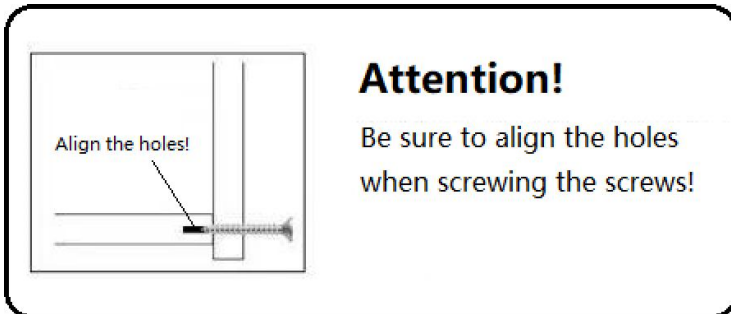
④ Vertical board (8 pcs)



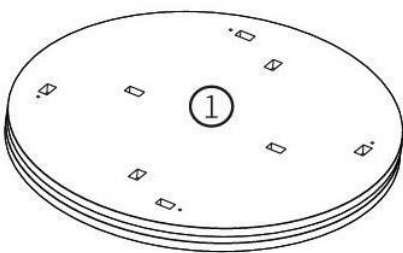
⑤ Baffle(16 pcs)

 Screw (48 pcs)

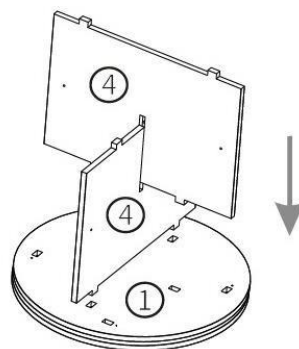
 Screwdriver



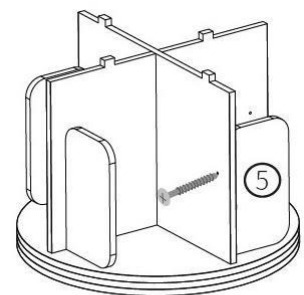
Let's start the installation:



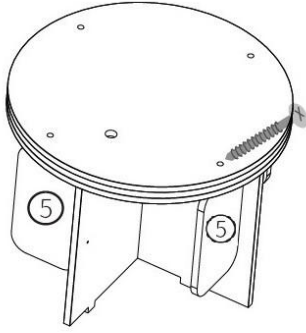
① Place the bottom plate.



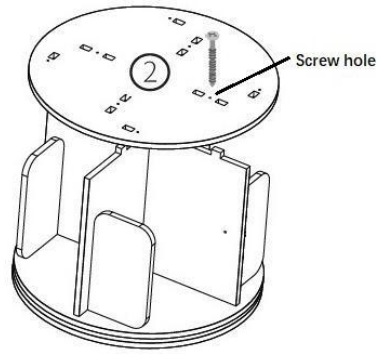
② Install No. 4 board.



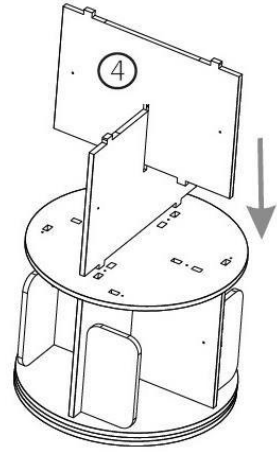
③ Install the No. 5 boards and tighten them with screws.



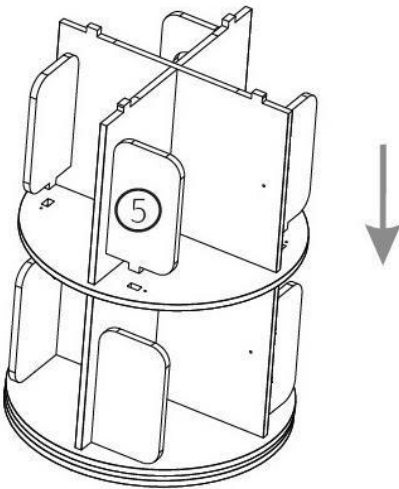
- 4** Turn the bottom plate over, and connect the bottom plate and the No. 5 plates with screws at the bottom plate hole.



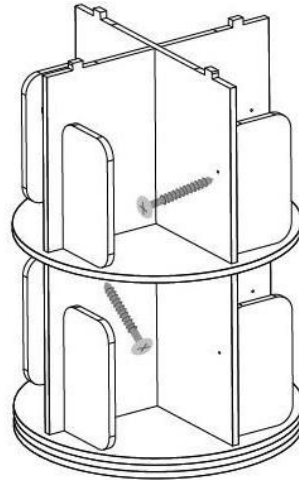
- 5** Install the No. 2 board and tighten it with screws.



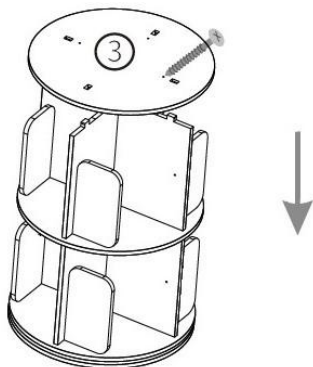
- 6** Install the No. 4 boards on the second floor.



- 7** Install the No. 5 board on the second floor.



- 8** Fix the No. 5 board with screws. There are 2 screws for each #5 board.



- 9** Install the top plate and fix it with screws.
(The above are only the steps to install the 2-layer bookshelf. If you need to install more layers, please repeat steps 5(6)(7)(8)).