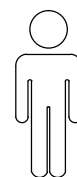
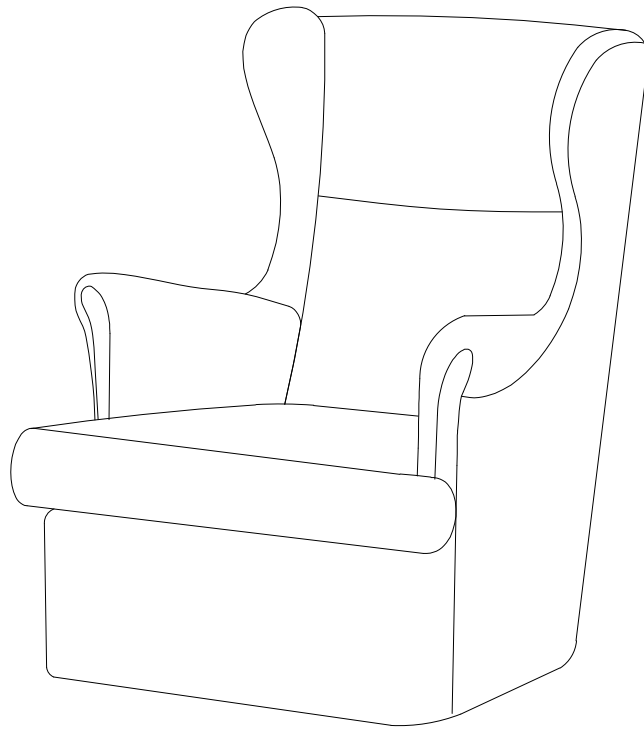


15'

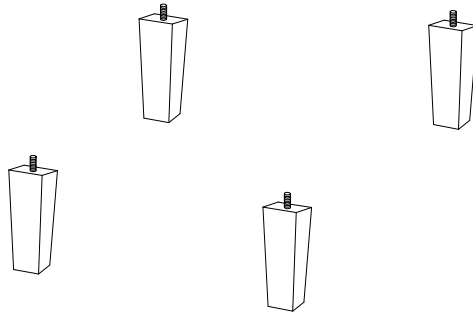


1

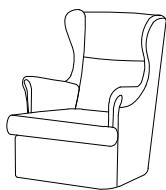
A



B x 4



A



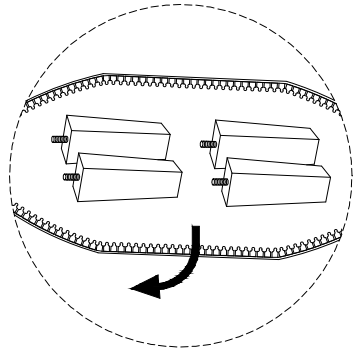
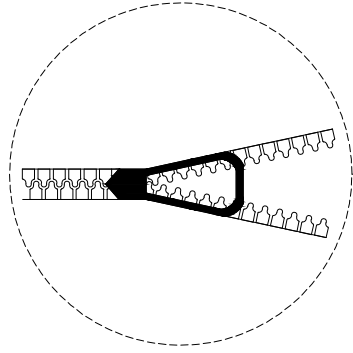
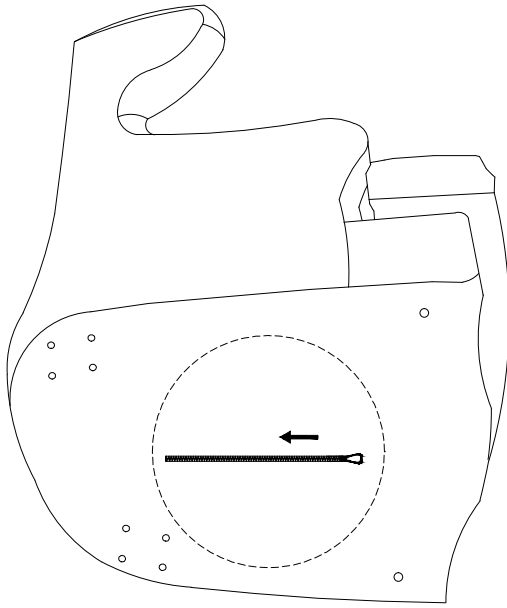
x 1

B



x 4

!



1

A



x 1

B



x 4

