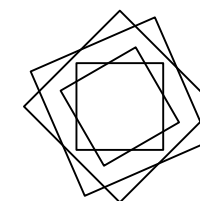
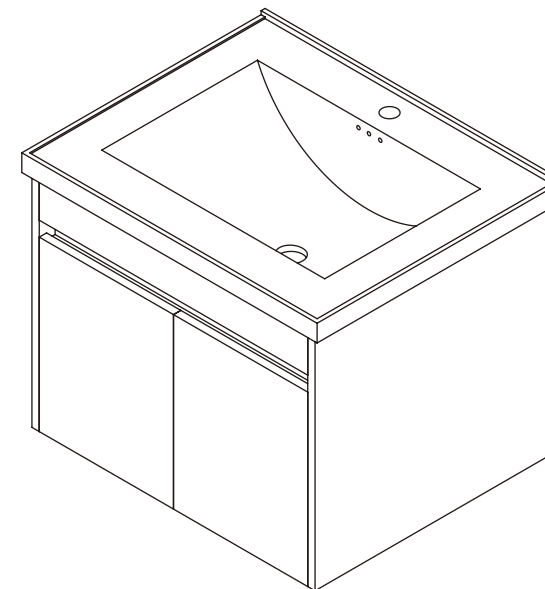


**MOTIVATE  
YOUR LIFE !**



## THANKS FOR WATCHING





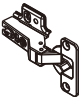

Your feedback is invaluable to us and we would love to hear about your experience. Please take the time to leave us a review.

## Thank you for shopping with us!

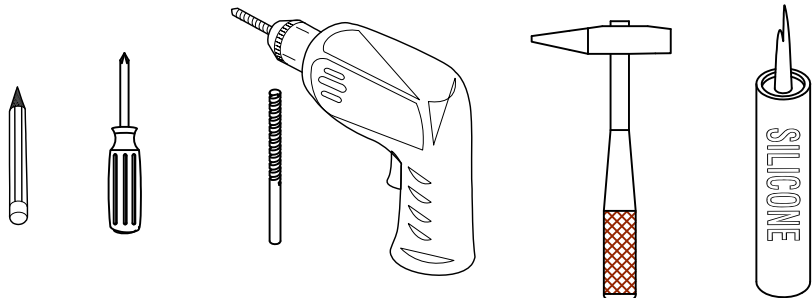
We encourage you to take a few minutes to go through this booklet. It contains important information on installation and care tips to keep your furniture looking as good as new.

# Item NO.: BV C0524/BV C05

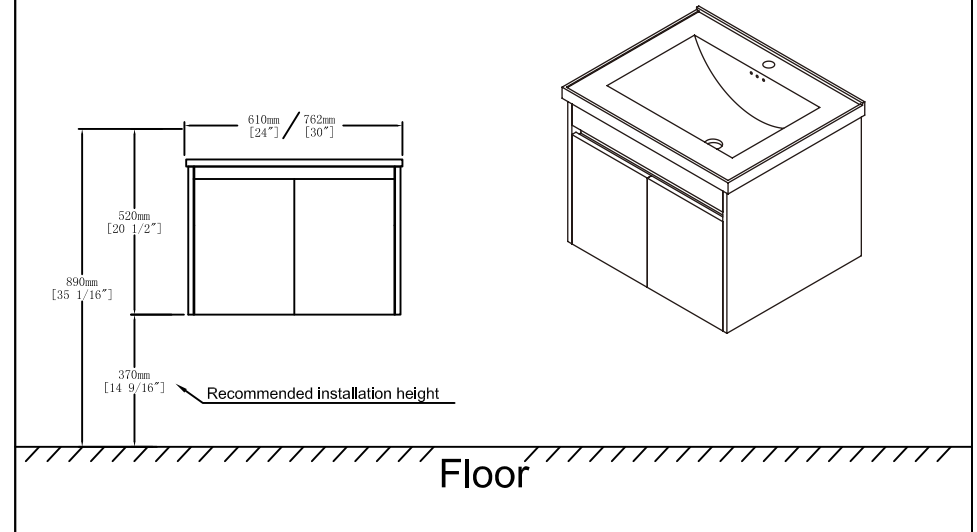
## Hardware

NO.	Draw	QTY
A		21
B		21
C		40
D		2
E		4
F		2

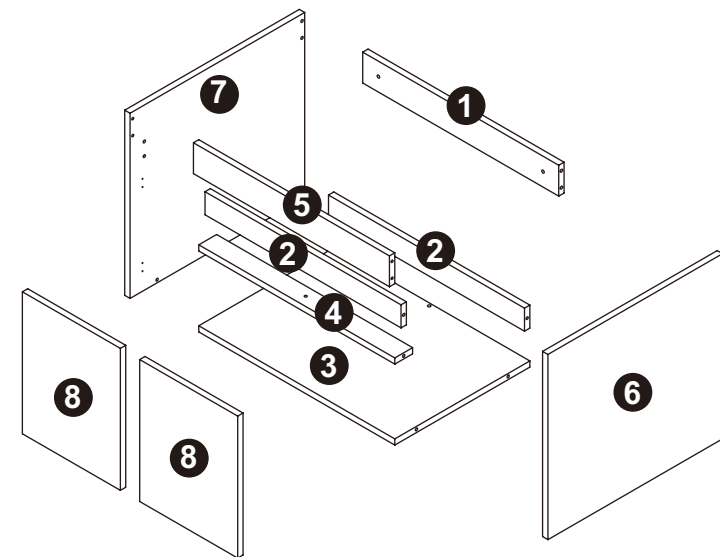
## Recommended tools

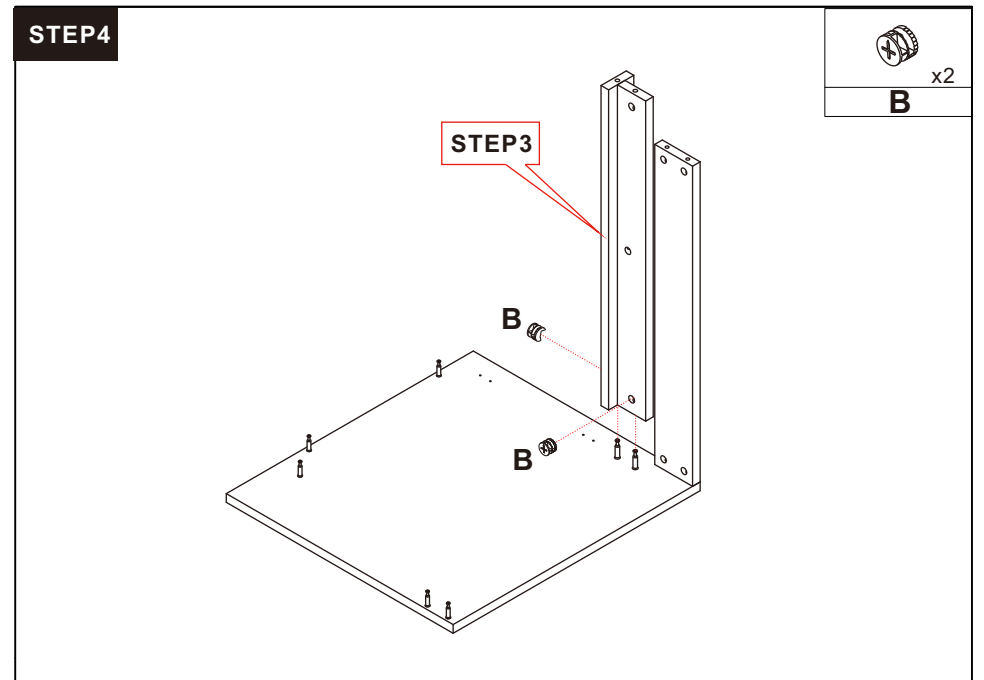
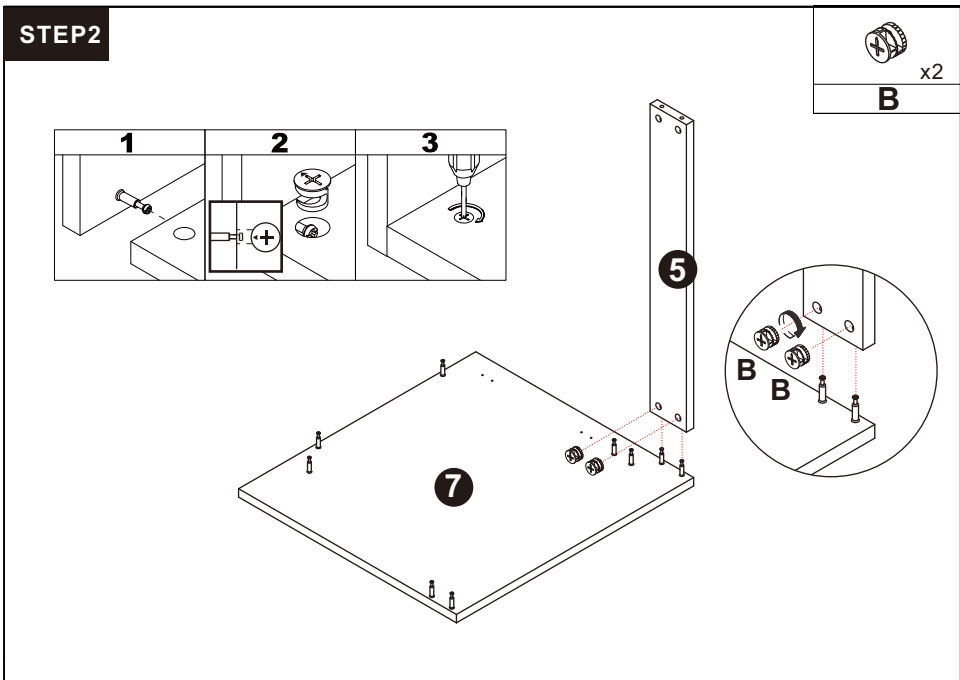
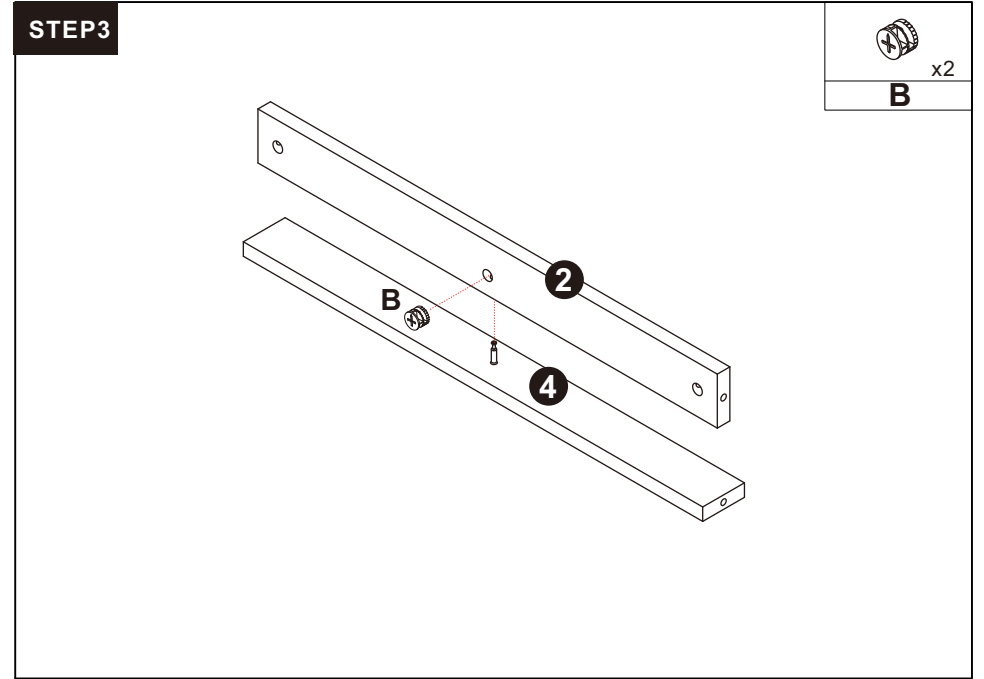
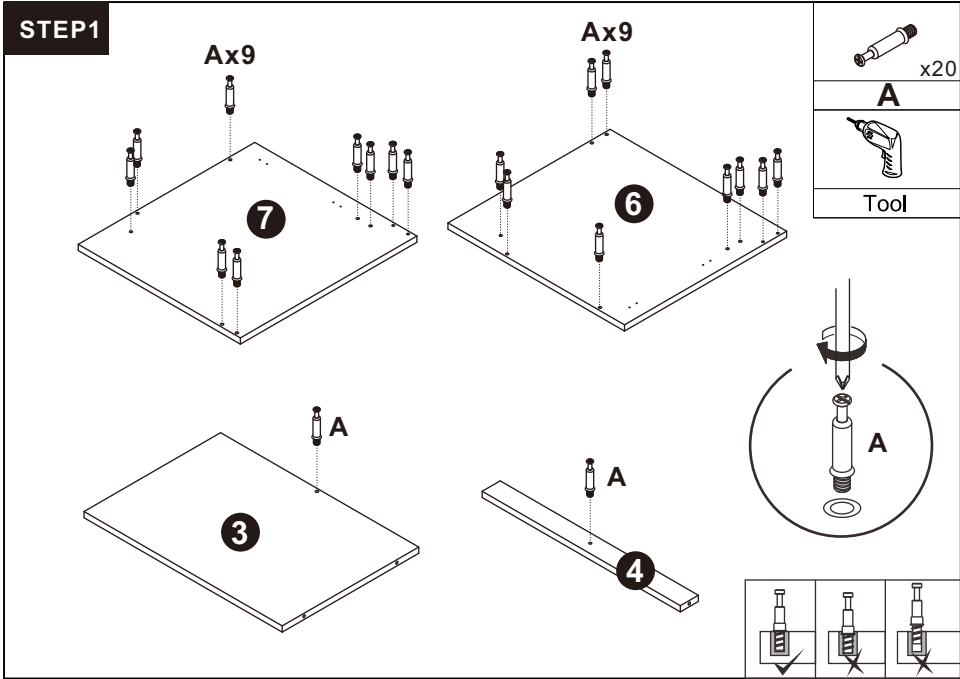


## Dimensions



## Components



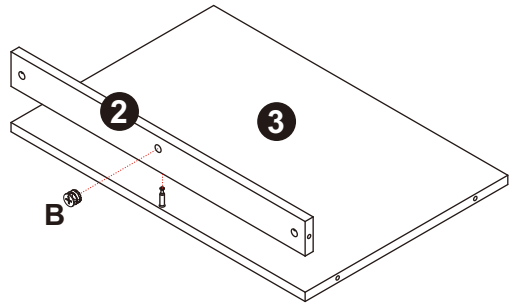


**STEP5**



x1

**B**

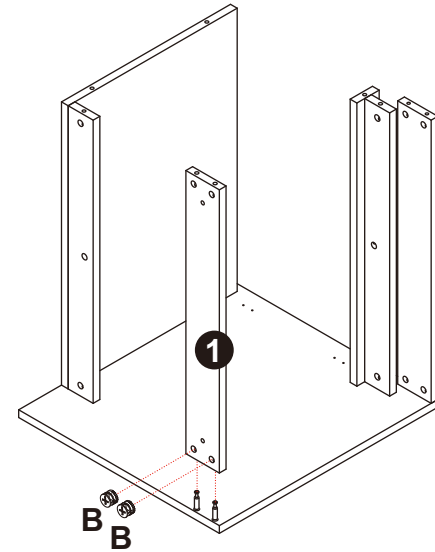


**STEP7**



x2

**B**

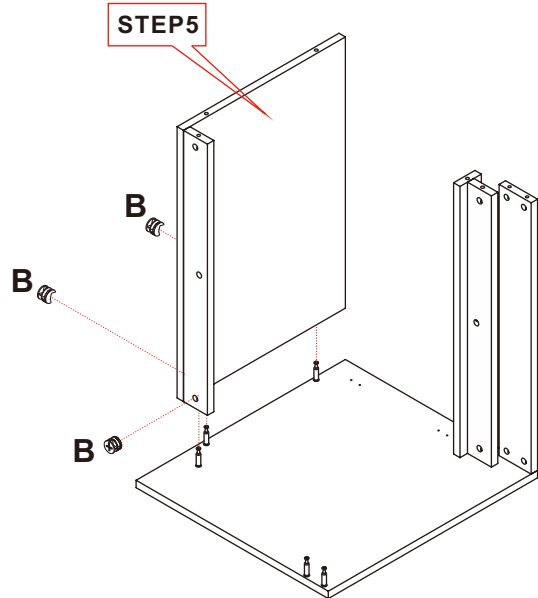


**STEP6**



x3

**B**



**STEP8**



x9

**B**

