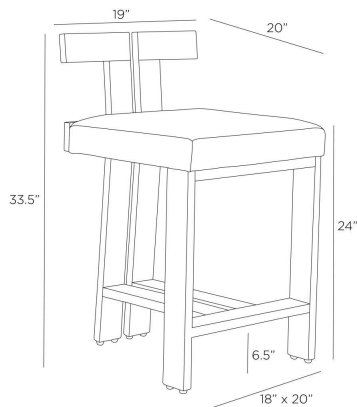


# ARTERIOS

## ENOLA COUNTER STOOL



FS115  
H: 33.5 IN, W: 19 IN, D: 20 IN,  
Natural Linen

A modern mix of '70s American design with Zen architecture, this elegant stool has an Eastern appeal. Crafted of ribbed beech wood stained in ebony, the split back is accented with antique brass studs at very center. A padded seat of natural linen adds style and comfort.

### APPEARANCE

Material	Linen, Wood, Brass
Material Type	Beech
Finish	Natural, Ebony, Antique Brass
Top Coat/Sealant	Yes
Textile Contract Suitability	Not Contract Suitable

### DIMENSIONS

Foot Print	W: 18 IN, D: 20 IN
Leg	H: 21.5 IN, W: 1 IN, D: 3 IN
Seat	H: 24 IN, W: 19 IN, D: 19 IN
Seat Back	H: 9 IN, W: 18 IN, D: 1 IN
Seat Cushion (thickness)	H: 4 IN
Diagonal Dimension	39 IN
Clearance	6.5 IN

### SHIPPING

Product Weight	30.4 lbs
Gross Weight 1	37.71 lbs
Shipping Box 1	H: 27.5 IN, L: 24 IN, W: 36 IN

### ADDITIONAL INFO

Swatch Number	L02SW
Fabric Compliancy	NFPA-260, TB117-2013
Fabric Content	100% Linen
Fabric Cleaning Code	S - dry clean only
Fabric Rub Count	5,000
Leg Or Foot Application	Glides

### CONTRACT

Contract Suitable	Adding a lacquer coating provides additional protection
Fabric Composition	100% Linen