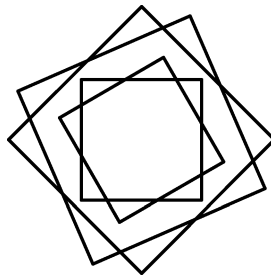
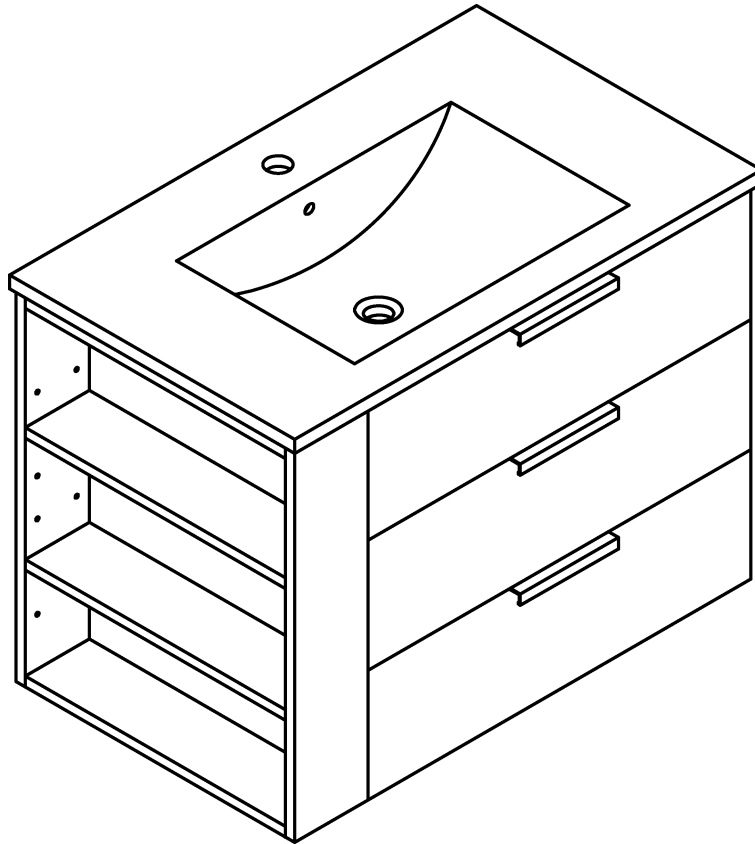






Owner Manual



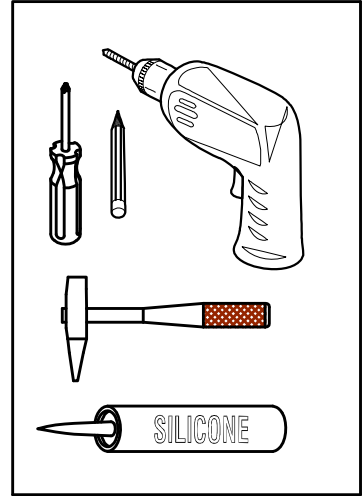
Thank you for shopping with us!

We encourage you to take a few minutes to go through this booklet. It contains important information on installation and care tips to keep your furniture looking as good as new.

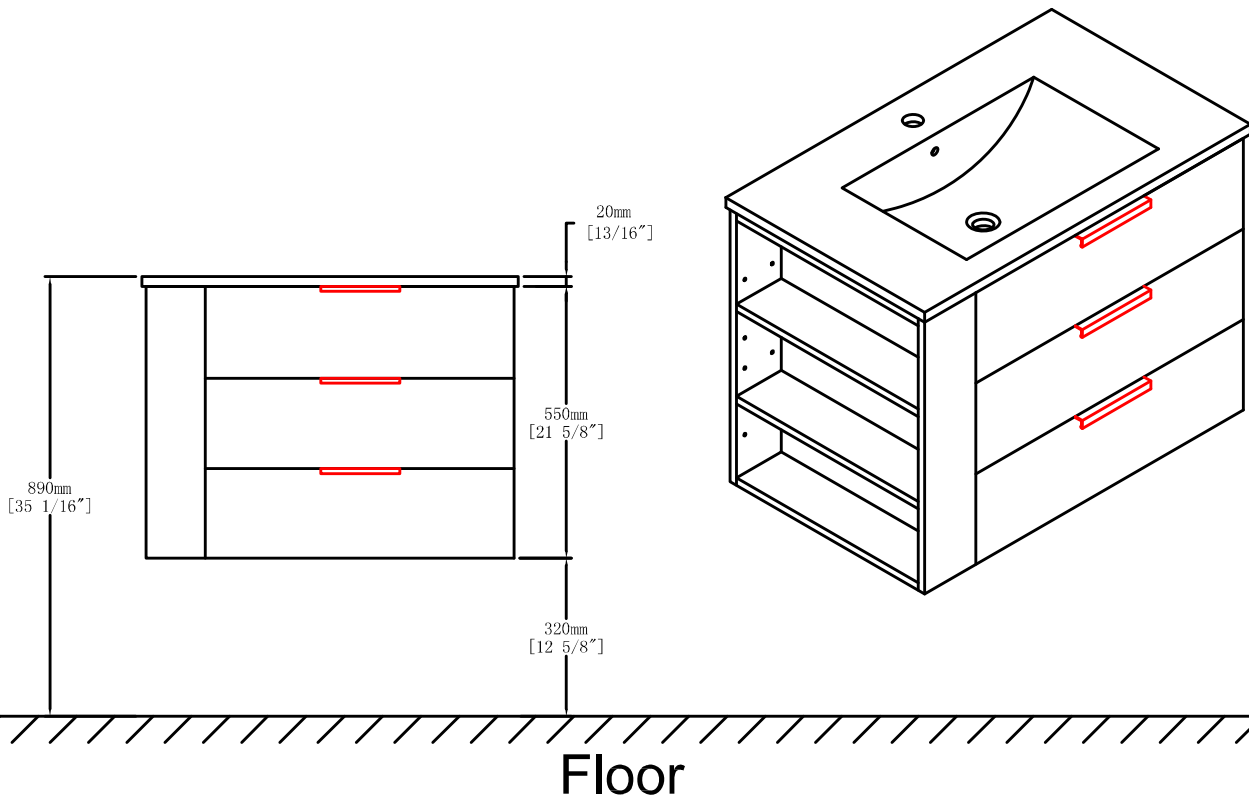
Hardware

NO.	Draw	QTY
A		4
B		4
C	  C2 C1	4

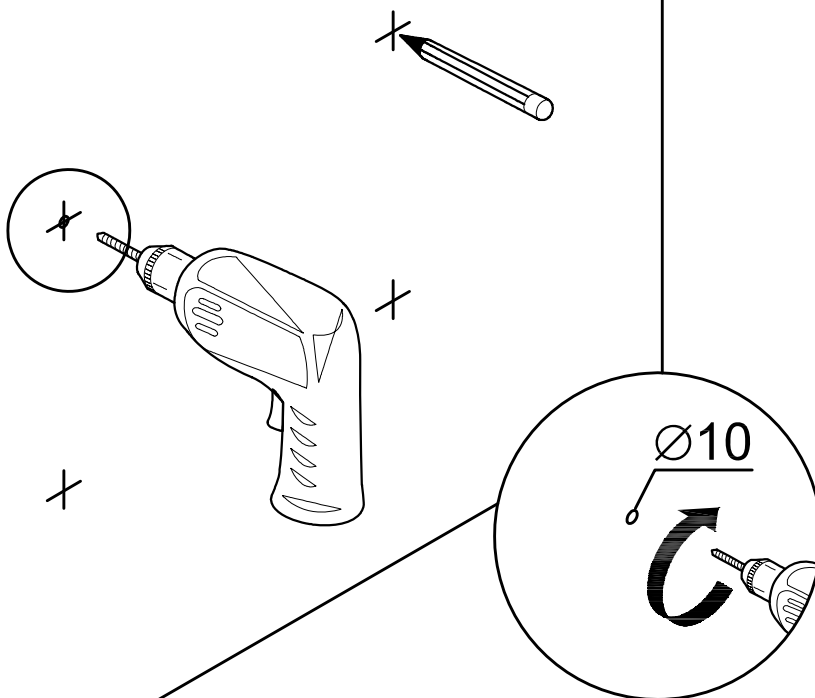
Recommended tools



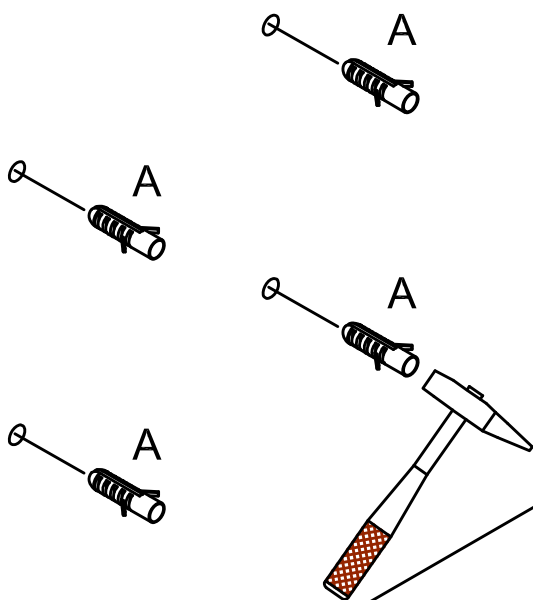
Dimensions



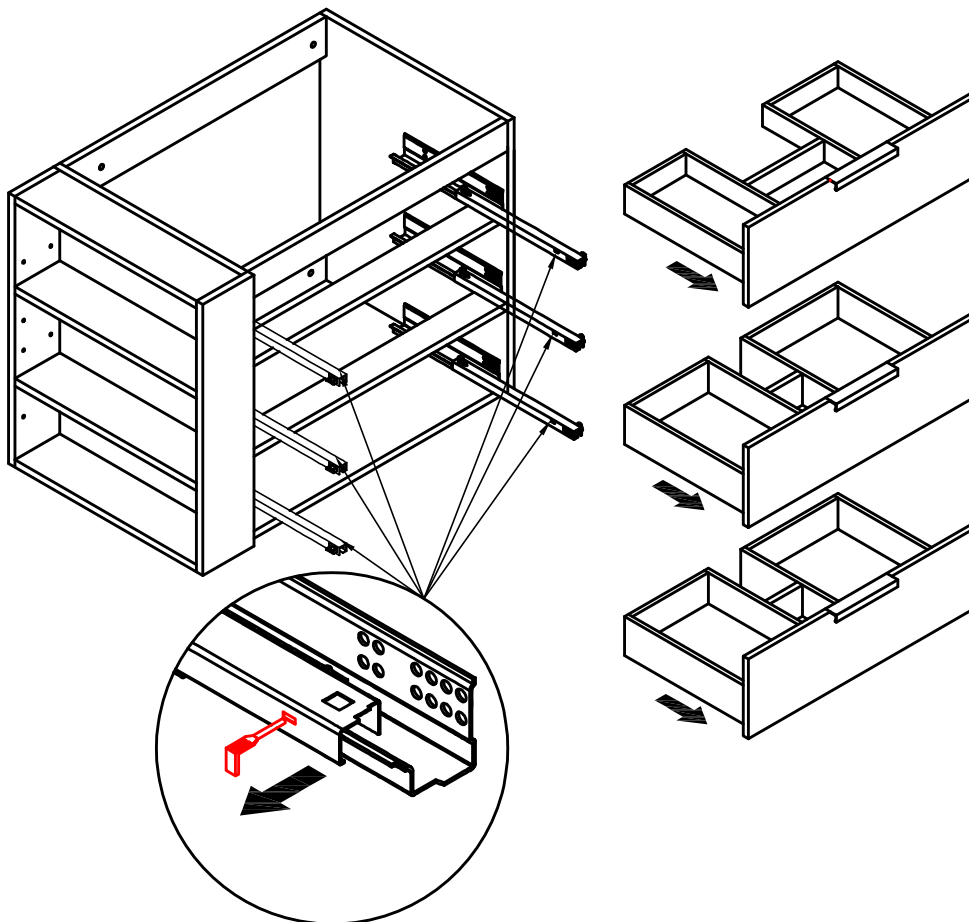
Step 1



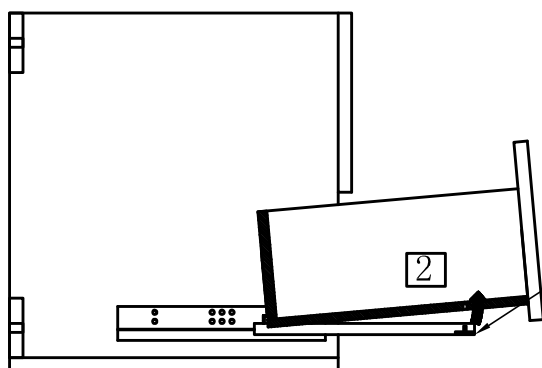
Step 2



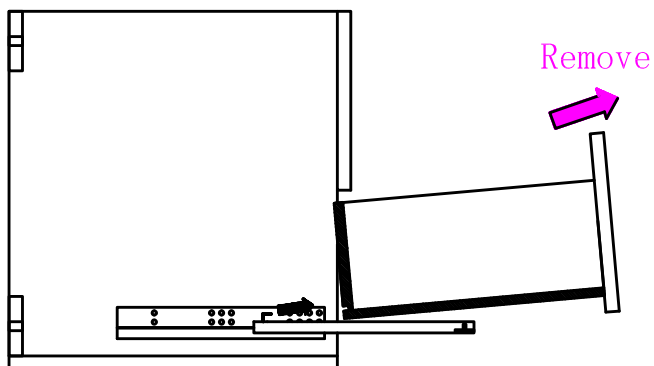
Step 3



First step: Pull out the bottom of the rail plastic insert.

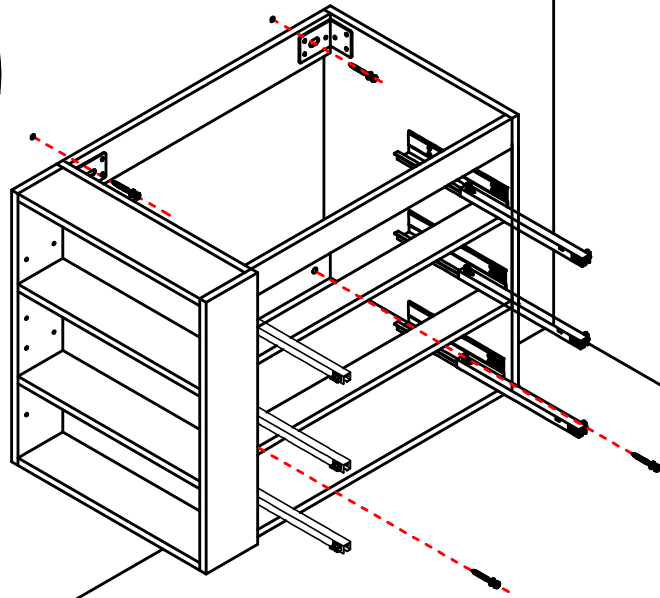
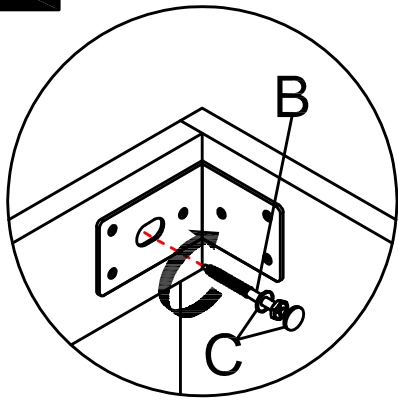


Second step: Release the drawer bottom self work screw.

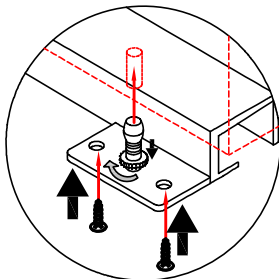
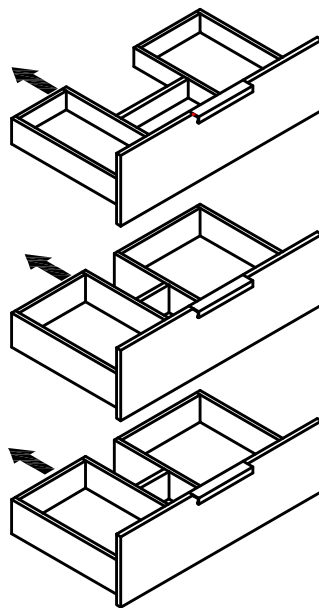
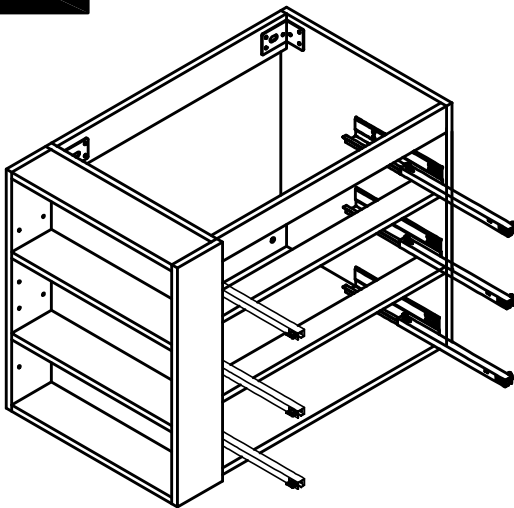


Third step: Finally pull out the drawer.

Step 4

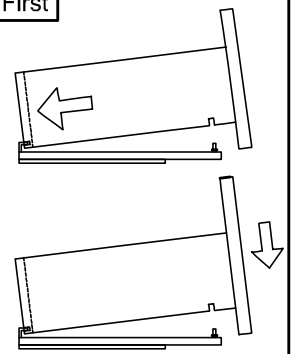


Step 5

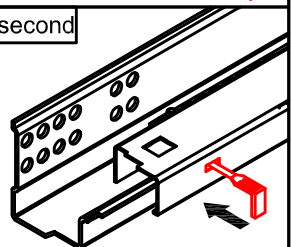


Third step: The bottom of the rail is fixed with screw .

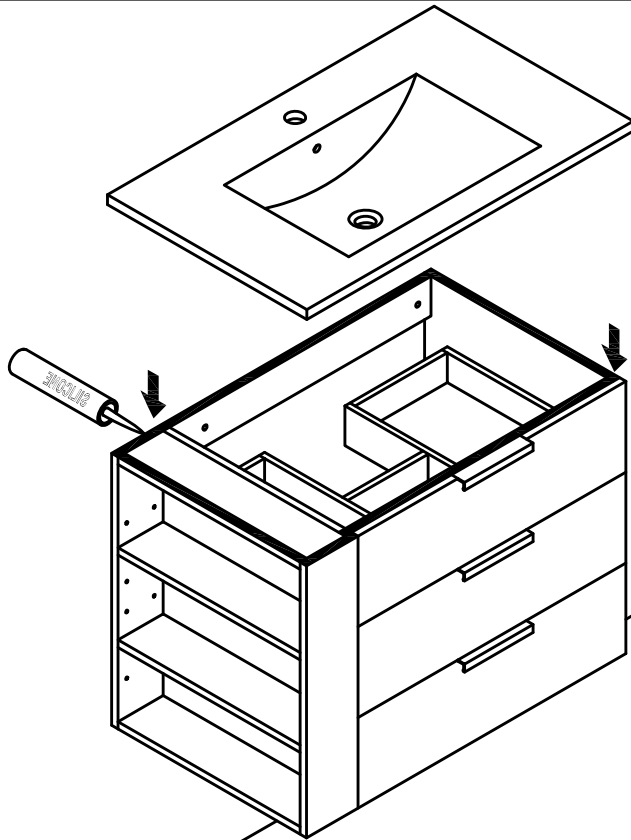
First



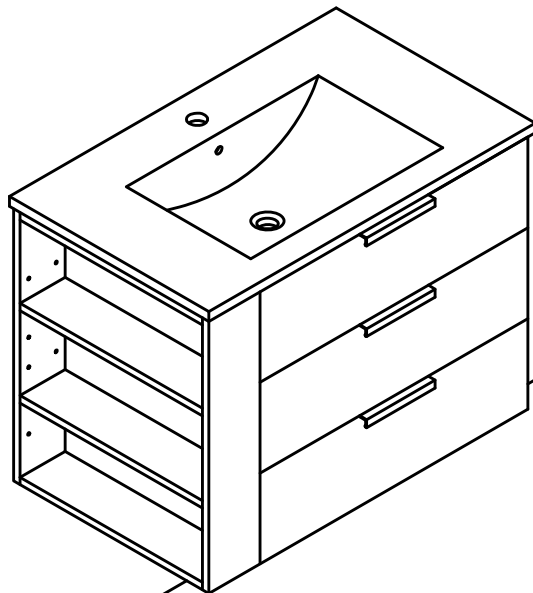
second



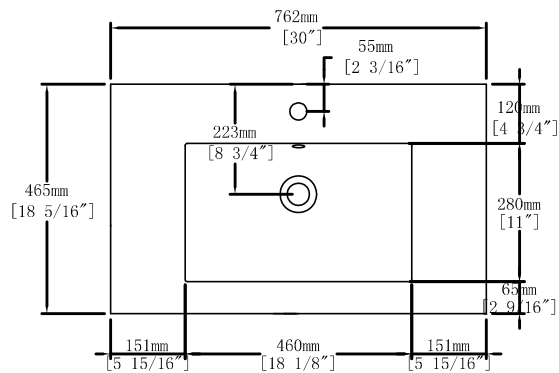
Step 6



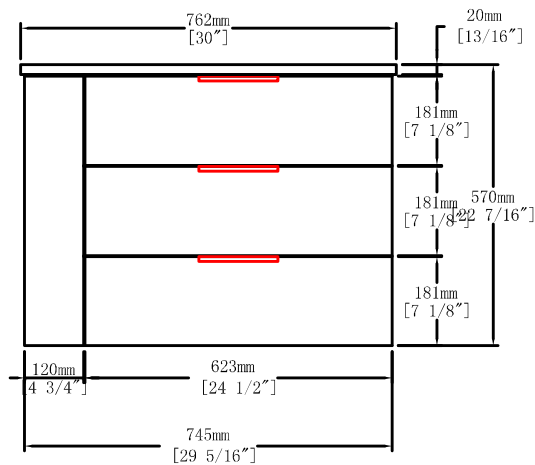
Finished



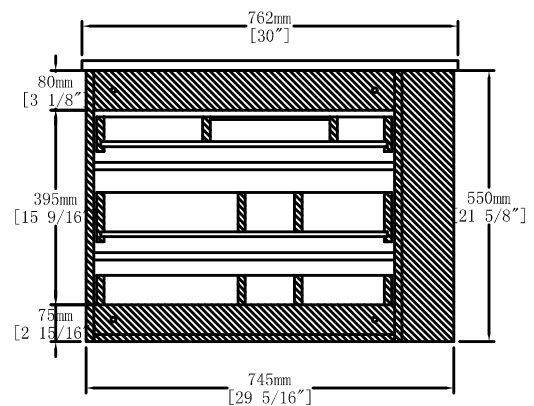
Dimensions



Top View



Front View



Back View

CARE CLEANING AND MAINTENANCE

1. Dust regularly with a soft , dry cloth.
2. Avoid the use of all chemicals household cleaners, abrasives, or cleaners that contain lemon, vinegar, or other acids that may damage the finish.
3. Excessive exposure to sunlight and extreme changes in temperature and moisture can damage wood furniture.
4. The sink is fragile, please pay attention to maintaining its appearance.
5. Do not place hot appliances, such as curling irons and hot hair dryers directly on the countertop. Wipe spills immediately.

THANKS FOR WATCHING

Your feedback is invaluable to us and we would love to hear about your experience. Please take the time to leave us a review.