

Thank you for choosing this furniture.

BEFORE YOU START ASSEMBLY please store the carton at room temperature for 48 hours or more so the contents can acclimatise.

PLEASE RETAIN ALL PACKING UNTIL YOU HAVE COMPLETED ASSEMBLY.

Information about your Pine furniture.

Our pine furniture ranges have been carefully crafted from solid wood and natural wood veneers. Each piece of pine has unique characteristics such as knots, variances in shading and graining. These are part of the natural character of the furniture itself.

Caring for your Pine furniture.

Extreme temperature can cause slight movements in the wood itself so please avoid placing your furniture close to radiators or other direct sources of heat. Humidity should also be avoided.

Please avoid exposing your furniture to continued bright sunlight as it can affect the colour.

Any fluid spills should be removed as quickly as possible.

Always lift your furniture when moving as dragging may cause damage to your furniture or flooring.

After care.

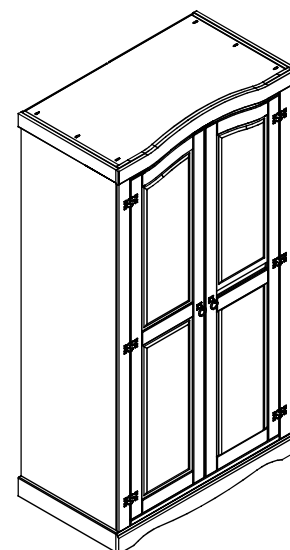
Wipe the surfaces with a dry cloth and an occasional use of a normal household furniture polish. For the models with drawers, we also recommend you use household spray polish occasionally on drawer grooves and runners as this will aid use. Please do not use detergents or chemicals on your furniture.

PARTS LIST

A x34 25mm Ø8	B x05 25mm Ø3,5 P3 SILVER	C x42 28mm Ø4,5 P3 GOLD	
D x02 GREY	E x02 3/16 x 5/8	F x16 16mm Ø3,0 P3 BLACK	G x04
H x10	J x04	K x06 GREY	L x45 14mm Ø3,5 P3 GREY
M x02	Y x01	Z x26 8x8	

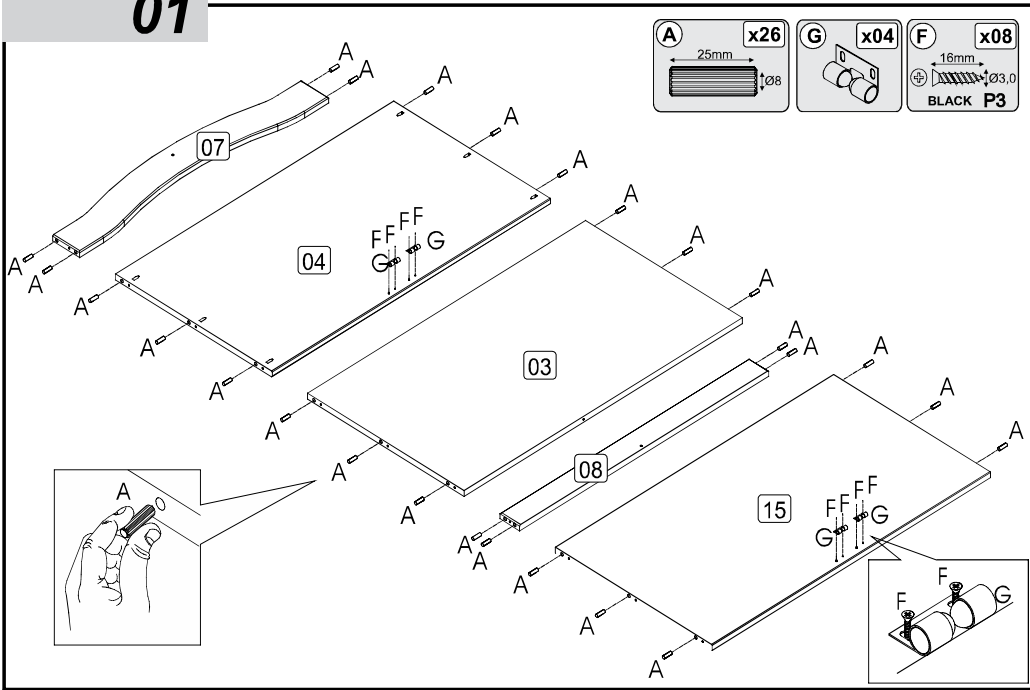
BEFORE YOU START ASSEMBLY

Please check that you have all the correct parts and fittings as detailed in the Parts List above.

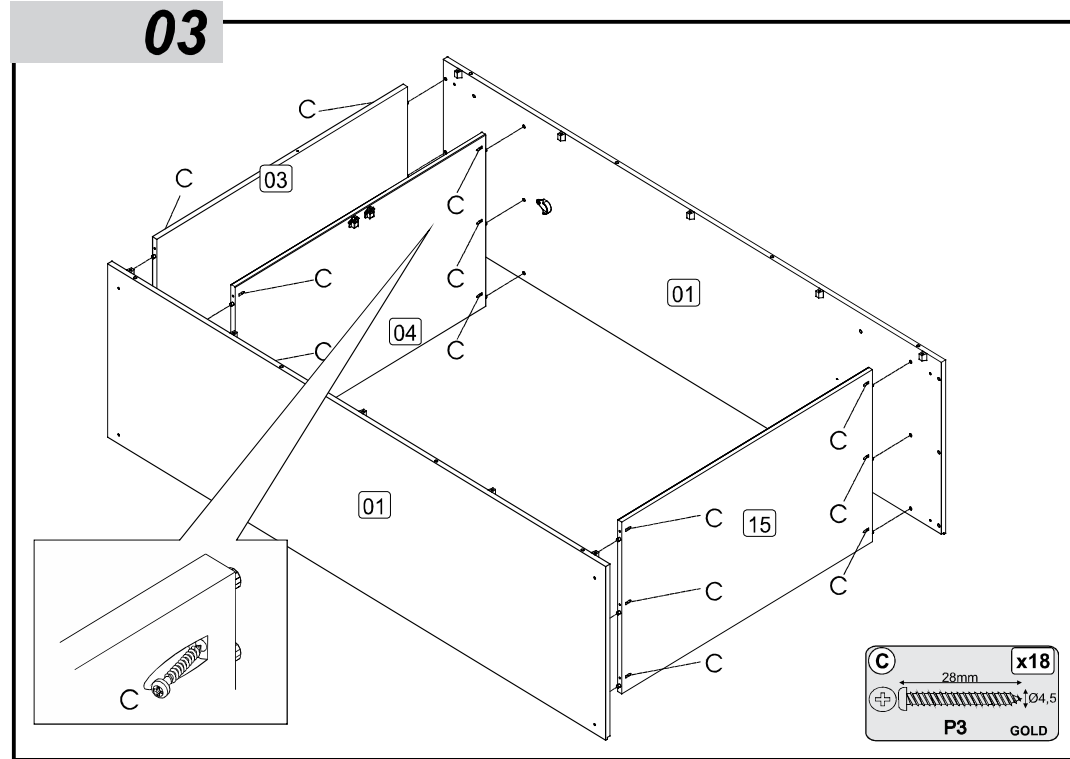


PLEASE RETAIN THIS INSTRUCTION LEAFLET FOR FUTURE REFERENCE.

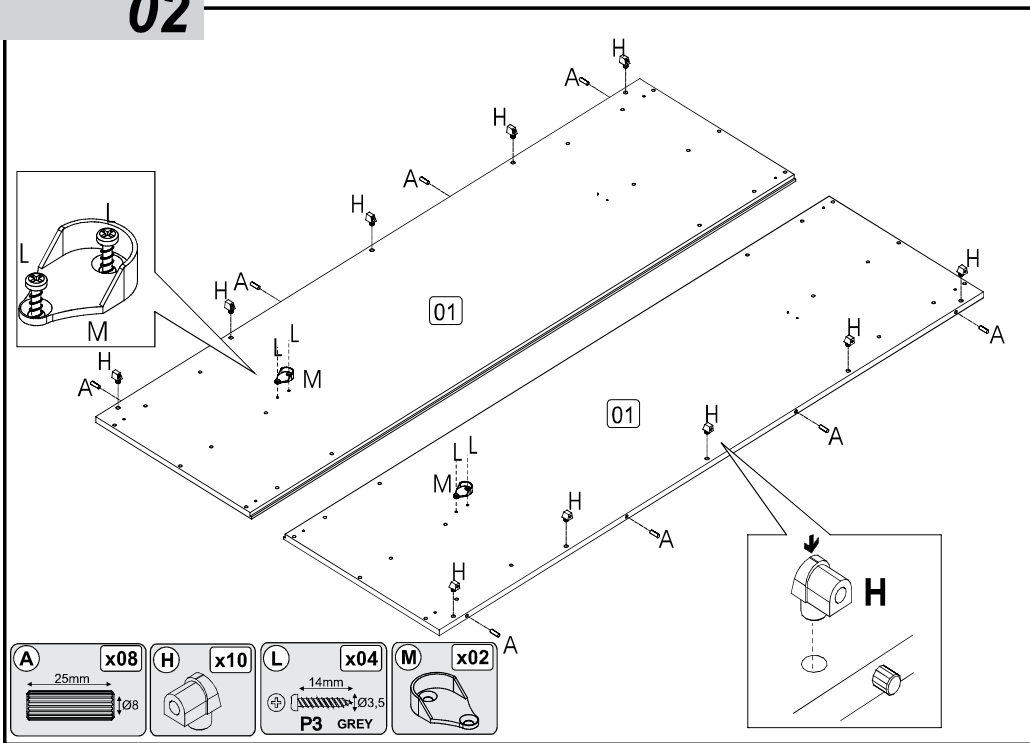
01



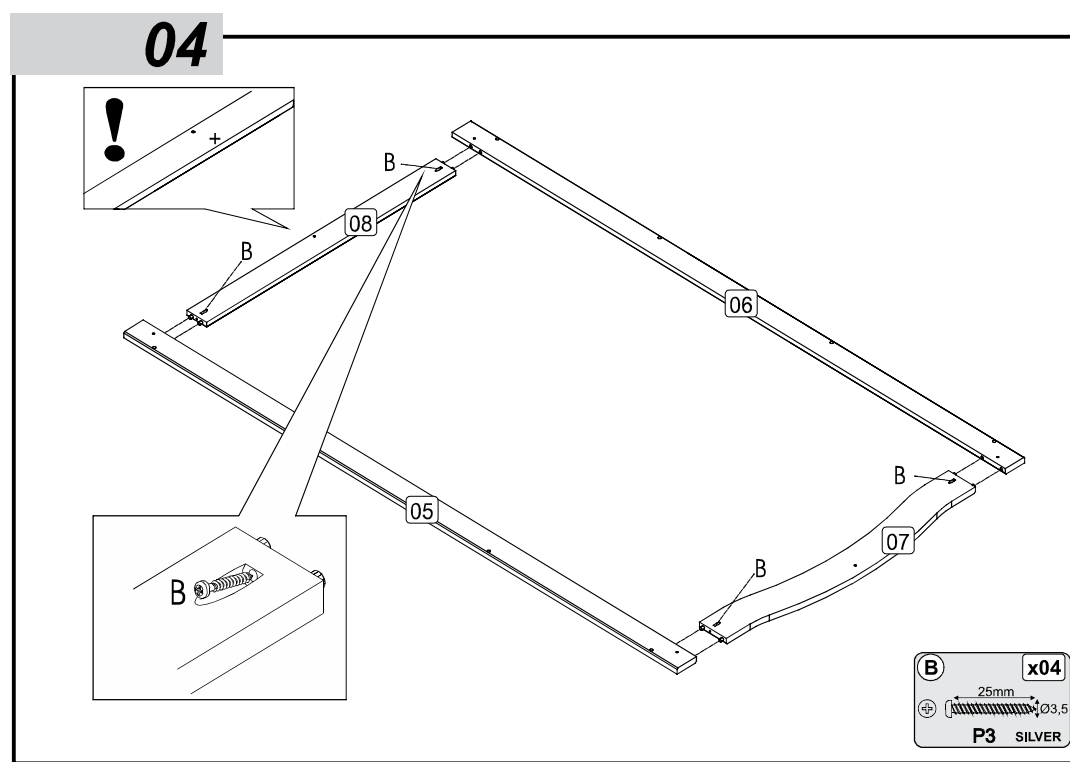
03



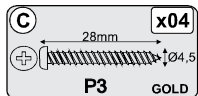
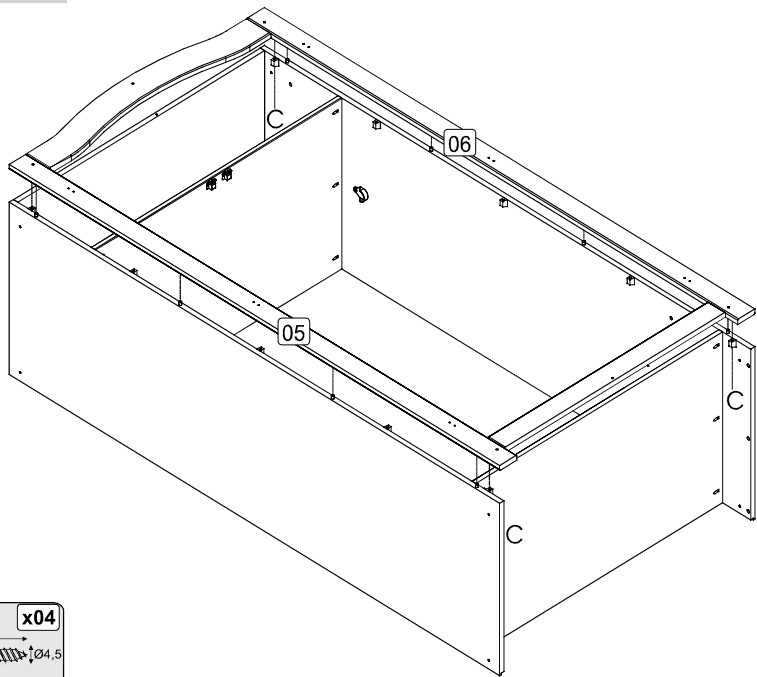
02



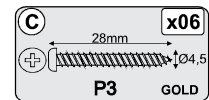
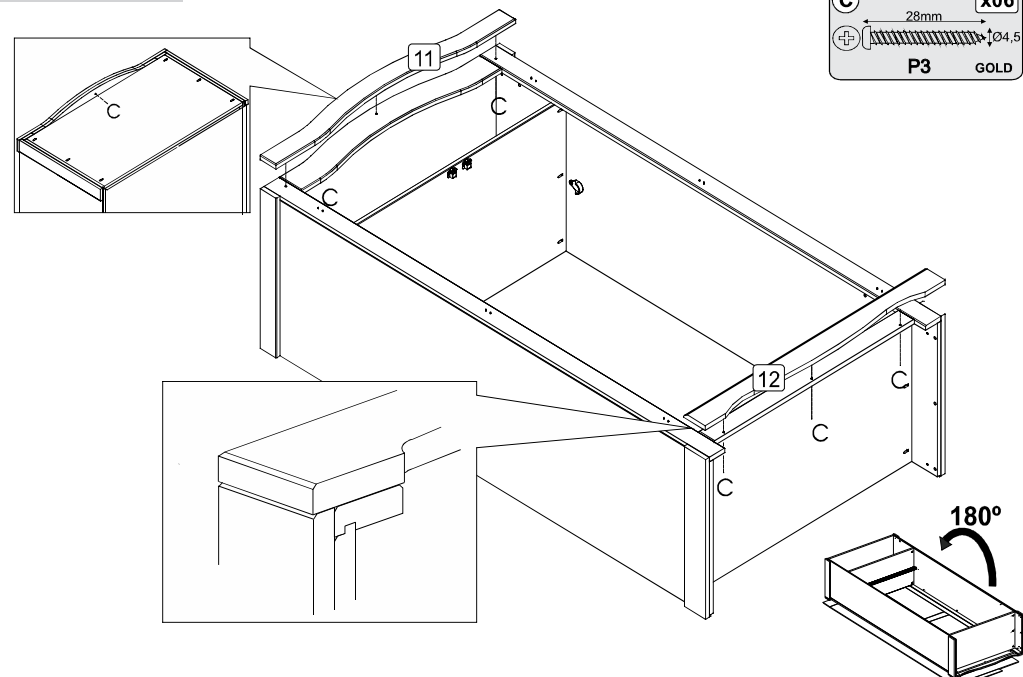
04



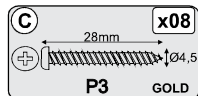
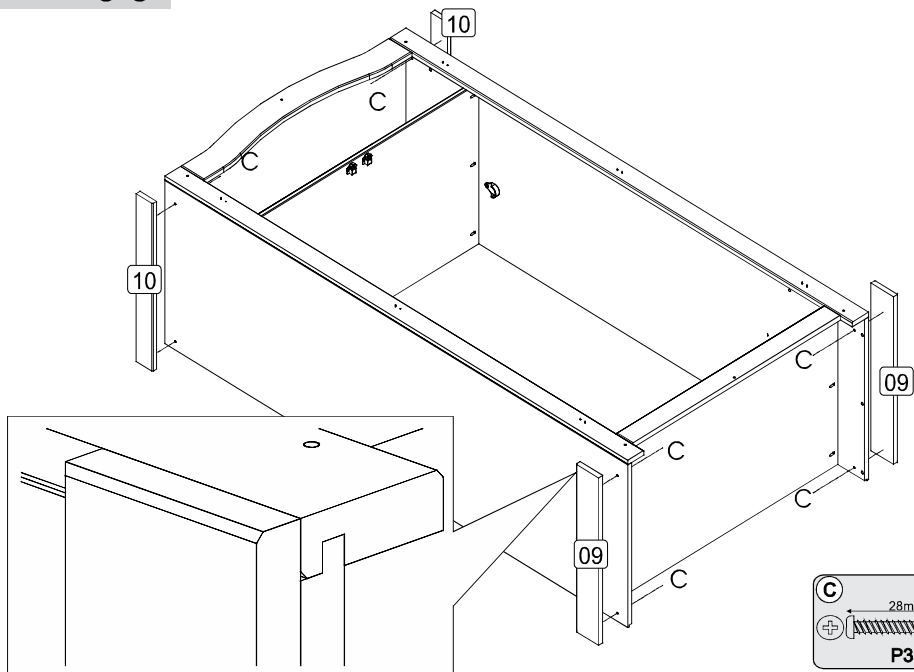
05



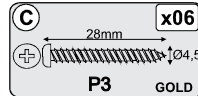
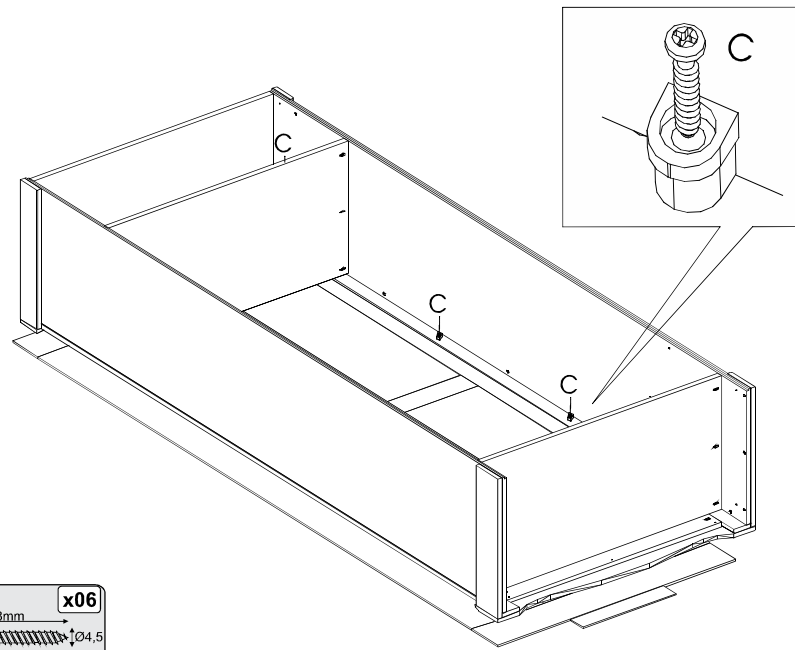
07



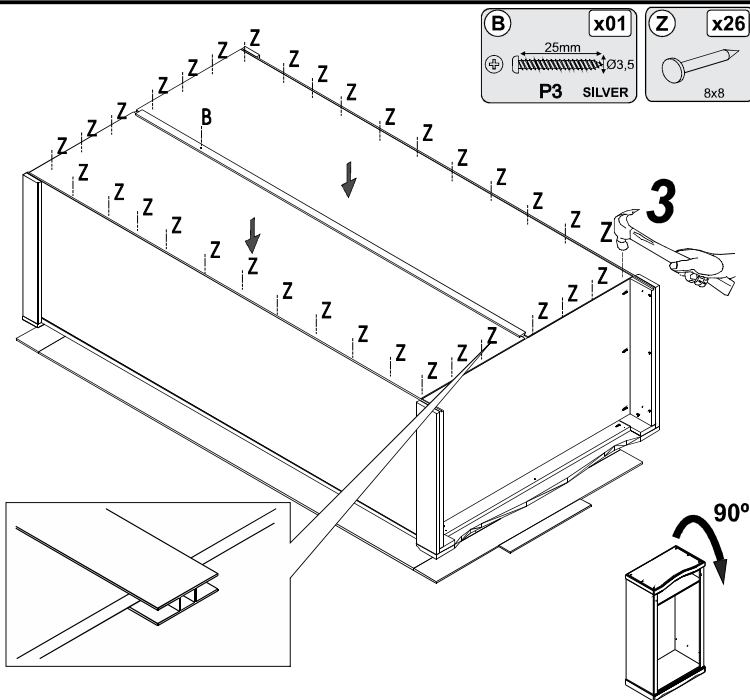
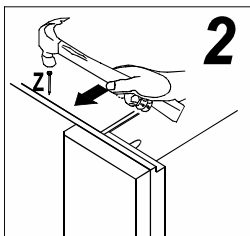
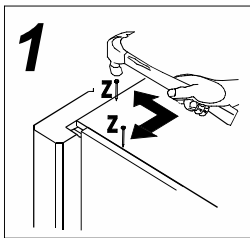
06



08

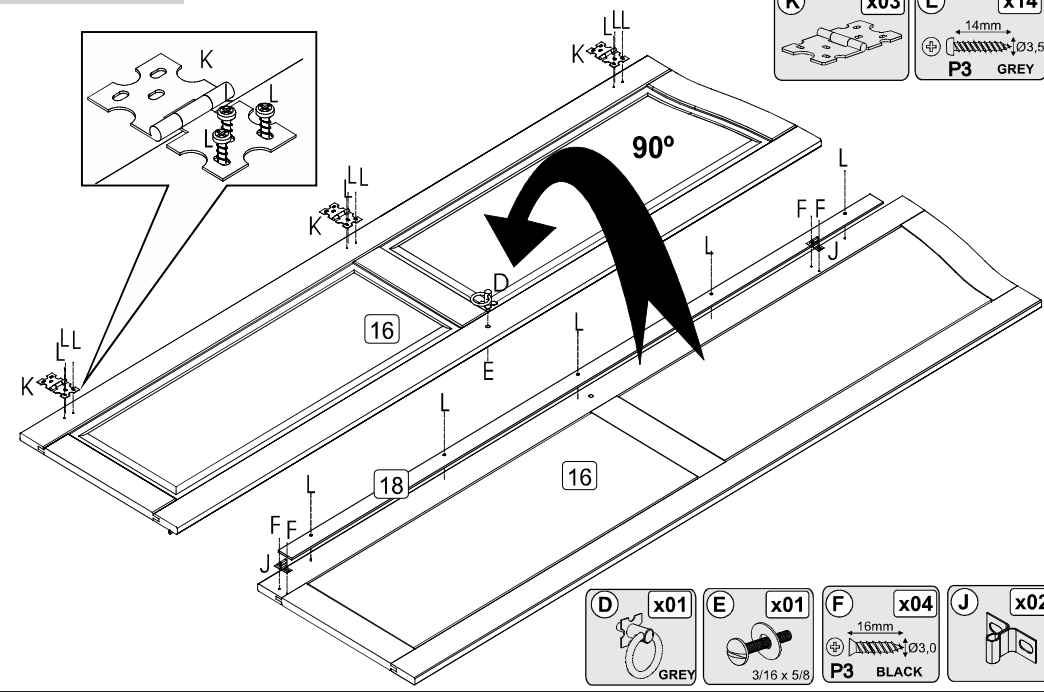


09



- B** x01
25mm
P3 SILVER
Ø3,5
- Z** x26
8x8

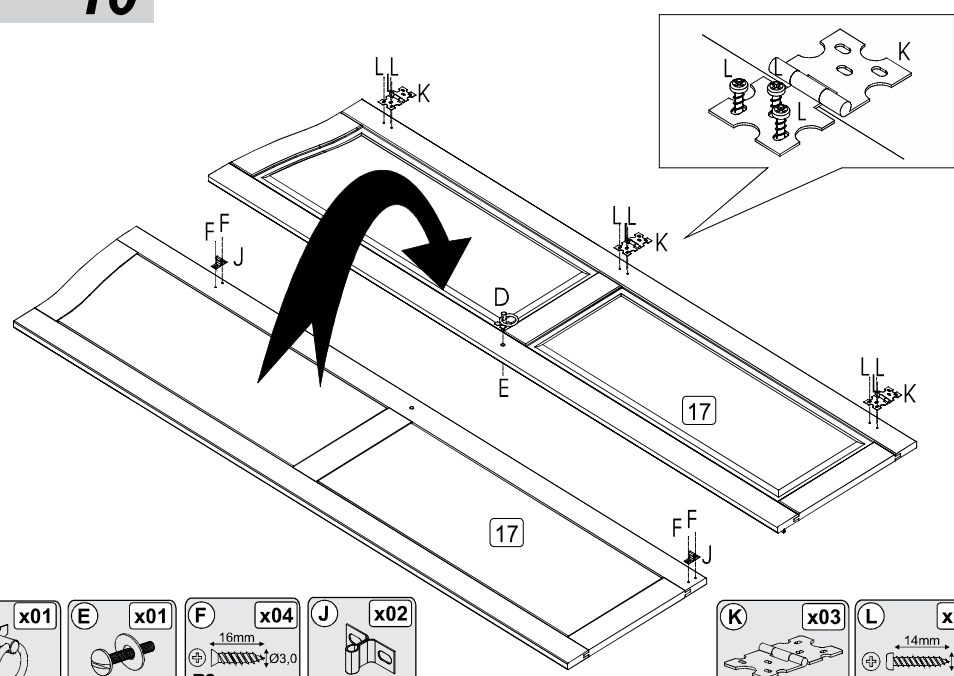
11



- K** x03
- L** x14
14mm
P3 GREY
Ø3,5

- D** x01
GREY
- E** x01
3/16 x 5/8
- F** x04
16mm
P3 BLACK
Ø3,0
- J** x02

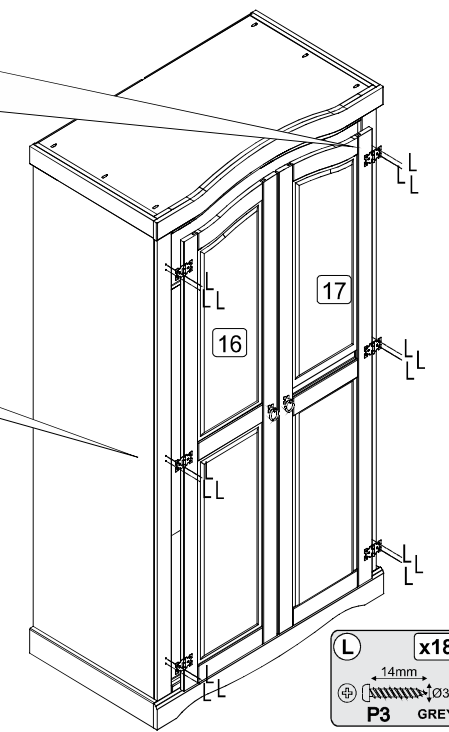
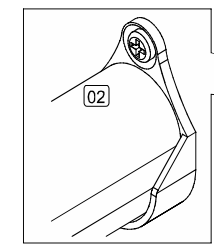
10



- D** x01
GREY
- E** x01
3/16 x 5/8
- F** x04
16mm
P3 BLACK
Ø3,0
- J** x02

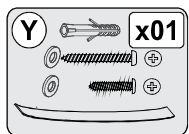
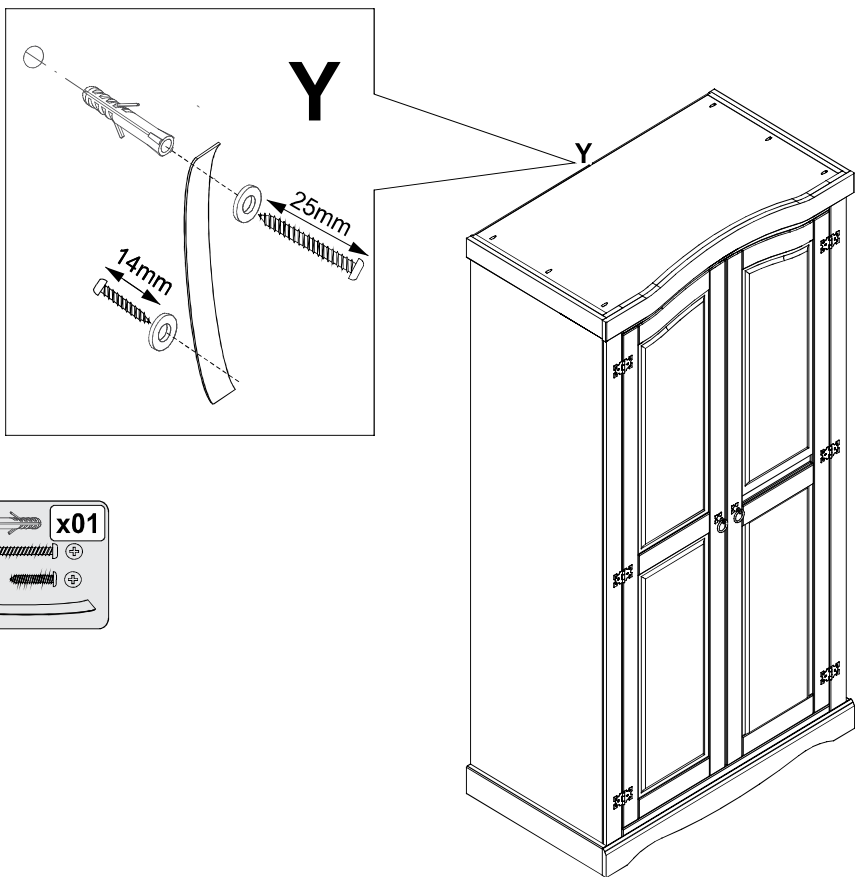
- K** x03
- L** x09
14mm
P3 GREY
Ø3,5

12



- L** x18
14mm
P3 GREY
Ø3,5

IMPORTANT NOTICE
Please avoid opening all drawers or doors simultaneously as this could cause your furniture to fall forwards. Where there is a risk of this occurring, especially in environments with children or uneven floors we recommend that this item of furniture is attached to your wall using appropriate fixings (supplied).



WARNING: CHECK FOR HIDDEN PIPES AND CABLES BEFORE DRILLING.

IMPORTANT: IF YOUR WALLS ARE NOT SOLID LIKE BRICK OR STONE, YOU WILL REQUIRE SPECIALIST FITTINGS (NOT SUPPLIED).

- Place fixing strip against the wall and mark position for drilling hole.
- Drill hole in your wall to a depth of 30mm using a 6mm drill bit. If the surface of your wall is soft and crumbly, we would advise you to use a 5mm drill bit for a tighter fit.
- Insert plug into hole with end flush to the wall surface.
- Attach fixing strip to the wall using the 25mm screw + washer and securely tighten.
- Pre-drill small pilot hole on the back edge of the furniture top using a 2mm drill bit. Attach the other end of fixing strip to the back edge of the furniture top using the 14mm screw + washer and securely tighten.