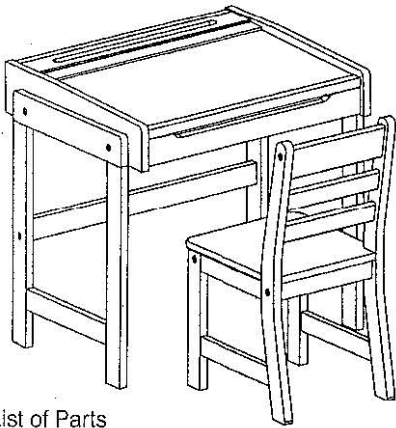


Assembly Instruction Sheet
Chalkboard Desk & Chair



List of Parts

Parts	Description	Q'ty
A	Desk Top	1
B	Desk Left Frame	1
C	Desk Right Frame	1
D	Leg Support	1
E	Chair Seat	1
F	Chair Left Frame	1
G	Chair Right Frame	1
H	Top Back Rest	1
I	Middle Back Rest	2

List of Hardware

Parts	Description	Q'ty
RF10166	Short Allen Screw	4
RF10020	Long Allen Screw	8
RF40015	Allen Wrench	1

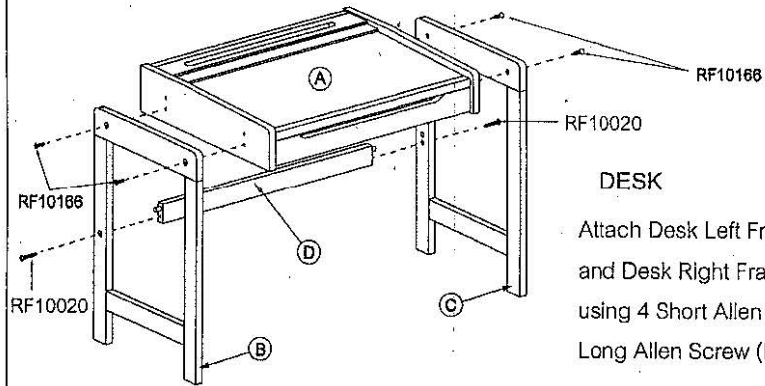


Diagram 1.

DESK

Attach Desk Left Frame (B), Leg Support (D) and Desk Right Frame (C) to the Desk Top (A) using 4 Short Allen Screw (RF10166) and 2 Long Allen Screw (RF10020) as per diag. 1.

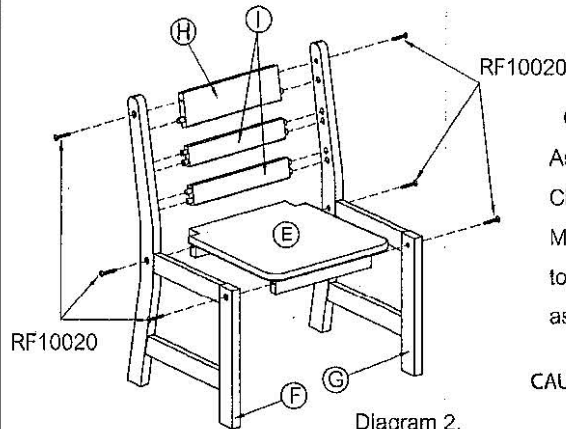


Diagram 2.

CHAIR

Assemble the chair by attaching Chair Seat (E), Chair Left Frame (F), Top Back Rest (H), Middle Back Rest (I) and Chair Right Frame (G) together using 6 Long Allen Screws (RF10020) as per diag. 2.

CAUTION: Hardware Assembly Package Contains Small Parts Adult Assembly Required