

# INSTRUCTION MANUAL ENCLOSED

## **ATTENTION**

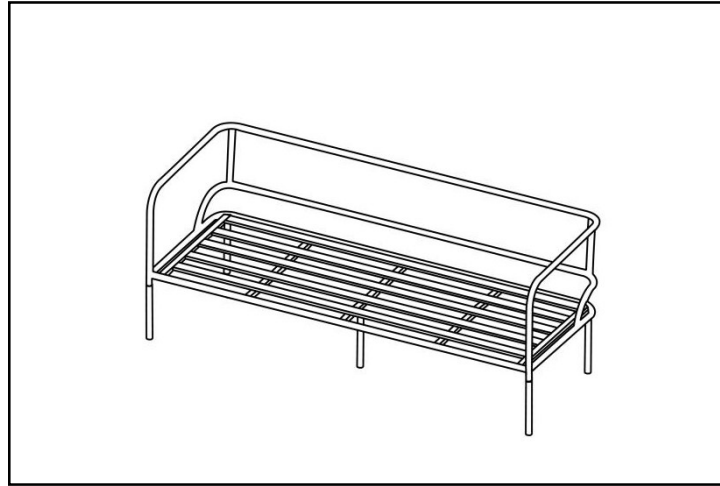
**IF YOU HAVE ANY PROBLEMS OR QUESTIONS, EMAIL OR CALL CUSTOMER SERVICE BEFORE YOU RETURN THIS PRODUCT TO THE STORE WHERE IT WAS PURCHASED.**

**\*\*When emailing Customer Service, please include your **Order Number** and **platform of purchase** in the email subject for quicker assistance.**

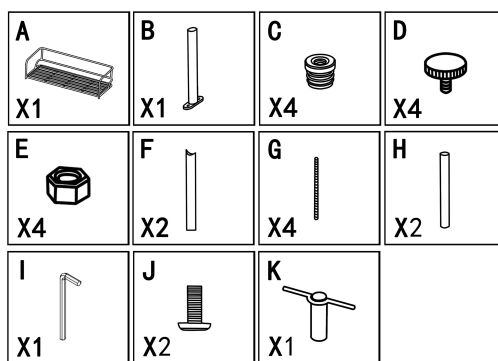
# INSTRUCTION MANUAL ENCLOSED

## OUTDOOR SOFA CHAIR

### OUTDOOR SOFA CHAIR ASSEMBLY INSTRUCTION



Part	PARTS LIST Description	Quantity
	<i>PARTS</i>	
A	Seat	1
	<i>HARDWARE</i>	
B	Chair Legs	1
C	Feet caps	4
D	levelers	1
E	Nut	4
F	Chair leg	2
G	Bolt	4
H	Chair leg	2
I	Allen key	1
J	Bolt	2
K	Allen key(comes from Box-1)	1



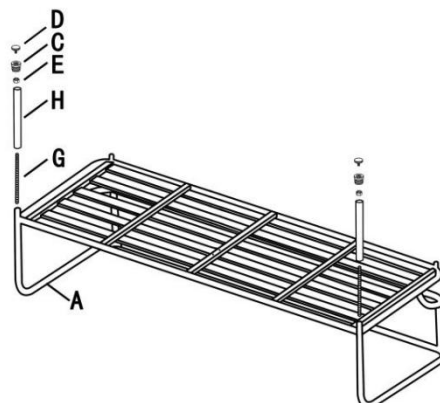
## PLEASE READ AND FOLLOW ALL SAFETY TIPS

### Warm Tips:

1. The plastic covers on some metal parts are just for product protection. Please remove it before assembly.
2. Please follow the sequence of AI during assembly.
3. Do not tighten the screws until all of them are in right positions.

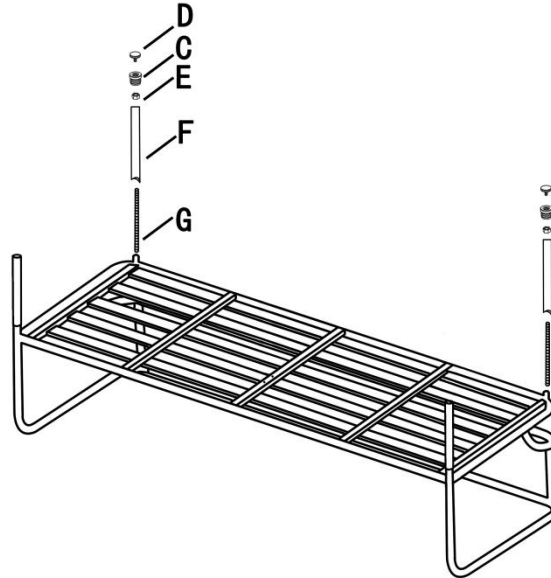
1. ①Fasten bolts(G),②Insert Chair leg(H),③,Use Allen Key(K) to fasten Bolts(E),  
④Install feet cap(C) and levelers(D). (Photo 1)

### STEP1



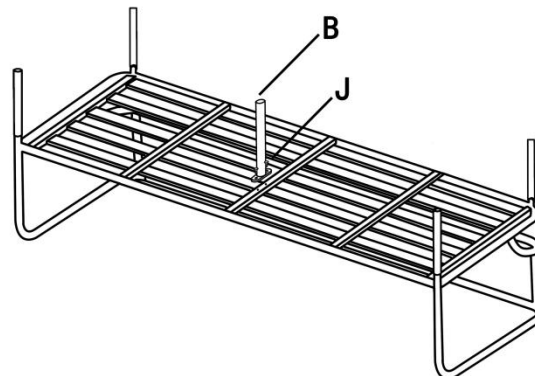
2. ①Fasten bolts(G),②Insert Chair leg(F),③,Use Allen Key(K) to fasten Bolts(E),  
④Install feet cap(C) and levelers(D). (Photo 2)

### STEP2



3. Position Chair Leg(B),Using the Allen key(I) to fasten Bolts(J), turn over the chair frame to the upright position carefully.

### STEP3



Till now you have finished the whole assembly and enjoy your sofa chairs.