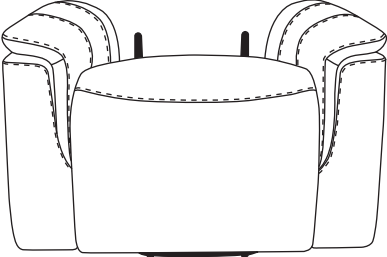
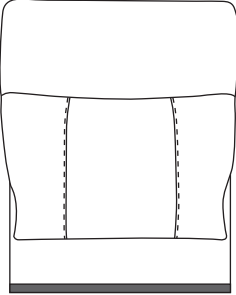


ASSEMBLY INSTRUCTION

SWIVEL GLIDER RECLINING CHAIR

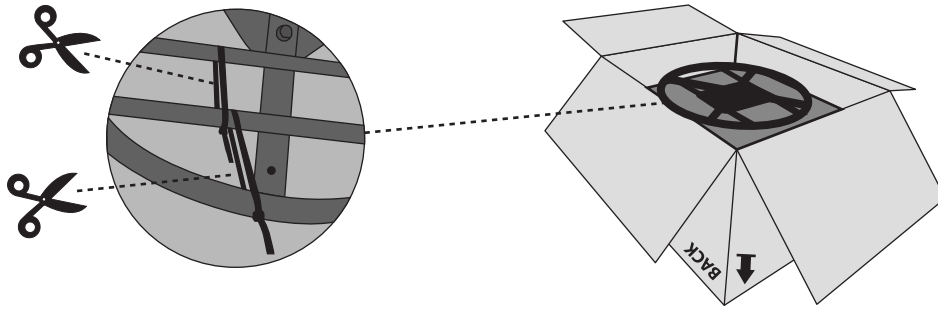
NOTE: Do not use power tools for assembly. Power tools increase the risk of over tightening which leads to splitting or cracking the wood.

COMPONENT LIST

NO.	DRAWING	QTY	DESCRIPTION
A		1 PC	SEAT
B		1 PC	BACK REST

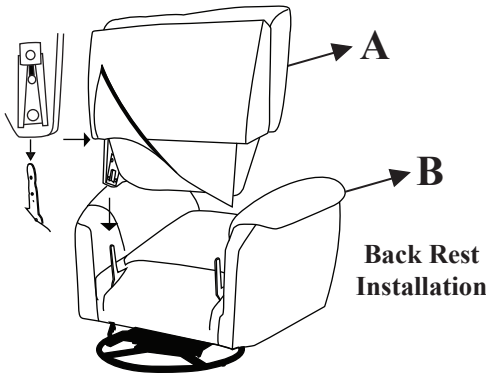
STEP#1

Turn over the package during unpacking. Cut off the rope that tight to the swivel and mechanism.

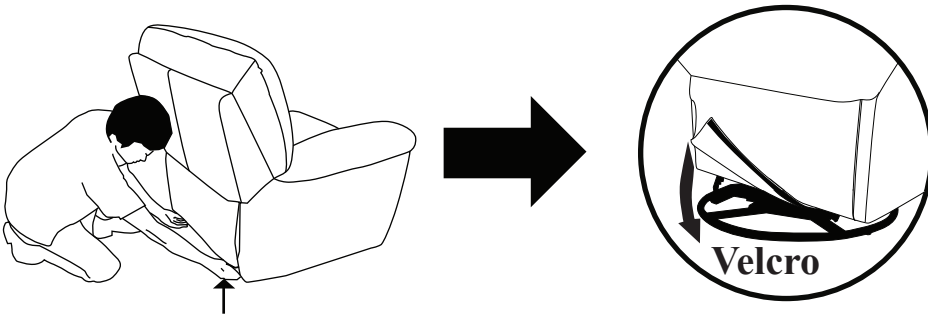


STEP#2

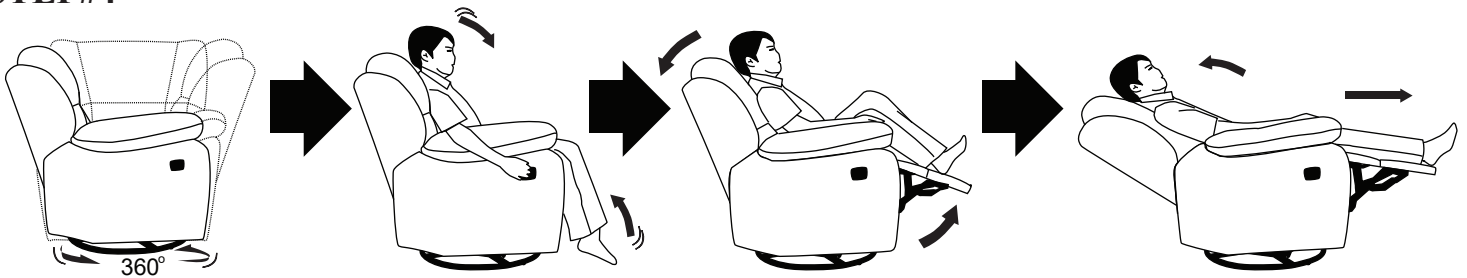
Align the female brackets at the back rest onto the male brackets at the seat, insert back rest to the seat then push to the end and make sure it is fixed in position securely.



STEP#3



STEP#4



CARE INSTRUCTION FOR GENUINE ALL LEATHER / PVC:

In order to maintain the original appearance of your leather furniture, please follow below simple care procedures :

- Avoid exposing furniture directly to sunlight or heating and air conditioning outlets. Exposure to sunlight or heating and air conditioning outlets will fade/damage leather.
- Do not place your leather furniture too close to windows, radiators, or vents.
- Wipe gently with a damp soft cloth to remove dust, dirt and any grime build up.
- Vacuum or wipe with a soft brush to remove dust.
- Hardware may loosen over time. Periodically check to make sure all connections are tight. Re-tighten if necessary.



For items use on wooden floor, hard surfaces or carpets, it is recommended to install protective pads under all legs and supports to avoid/prevent from damages/scratches and discoloration.