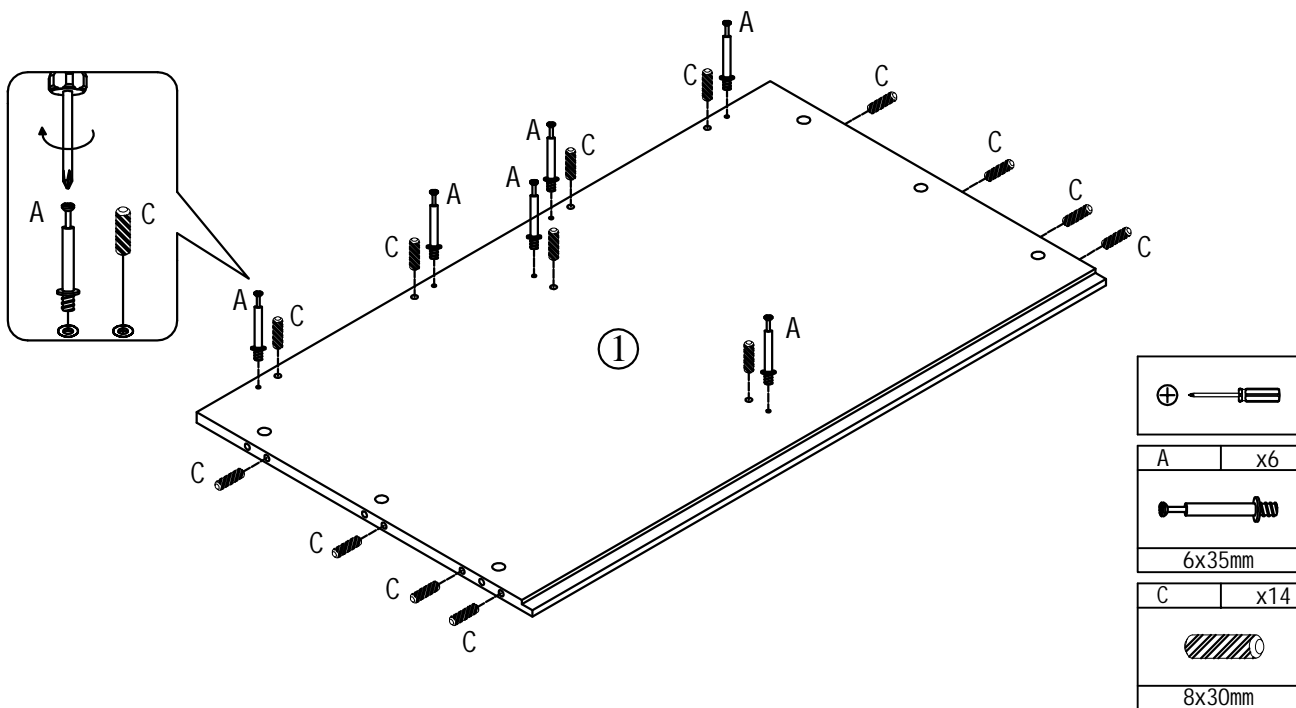
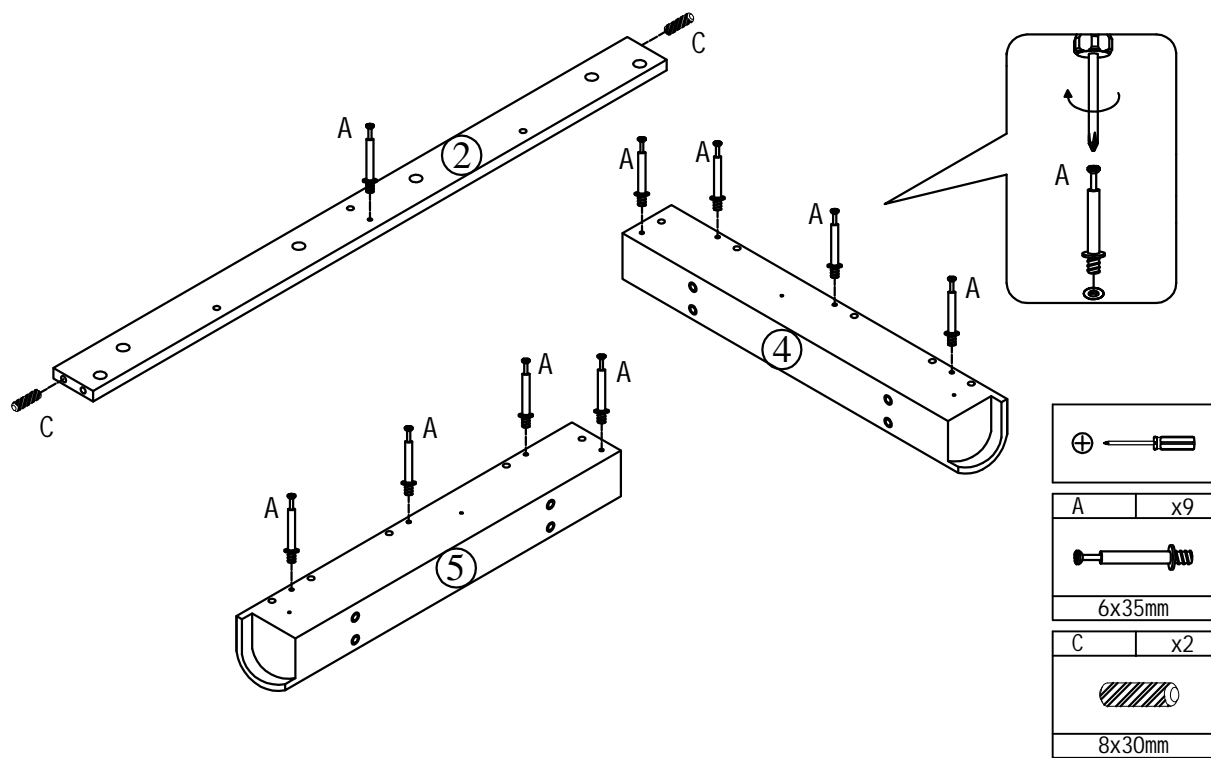


A	x19	B	x19	C	x17	D	x8	E	x16	F	x1
6x35mm		φ15x10mm		8x30mm		M6x25mm		3x12mm		M4	
G	x8	H	x4	I	x9	J	x4				
4x35mm		340mm		M6x12mm		40x30x5mm					

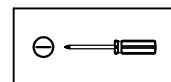
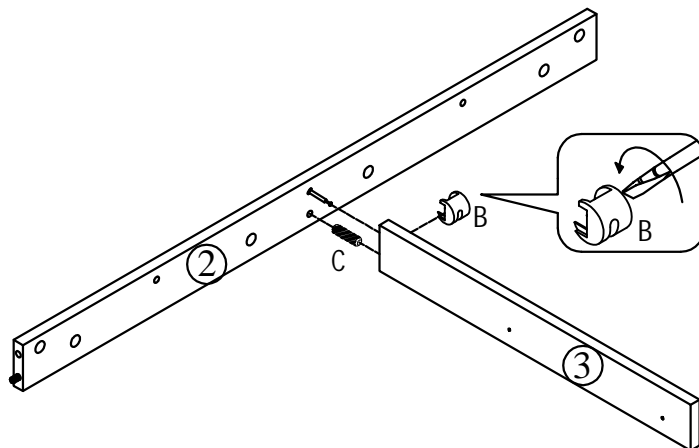
### Step 1:



### Step 2:



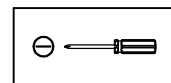
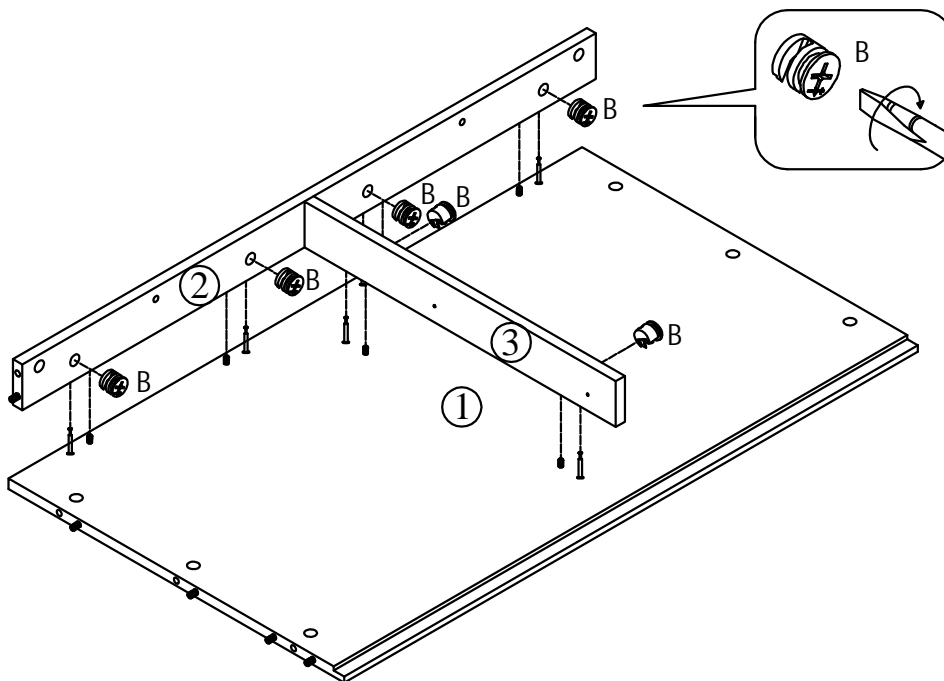
Step 3:



B	x1
$\phi 15 \times 10 \text{mm}$	

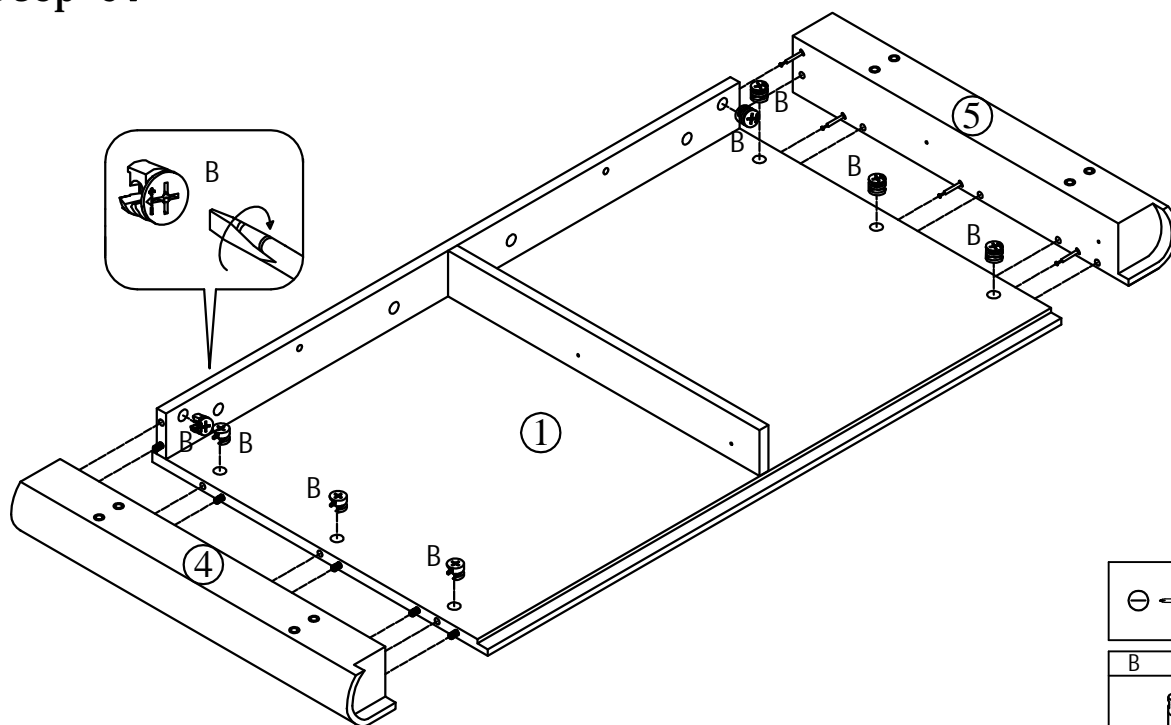
C	x1
$8 \times 30 \text{mm}$	



Step 4:



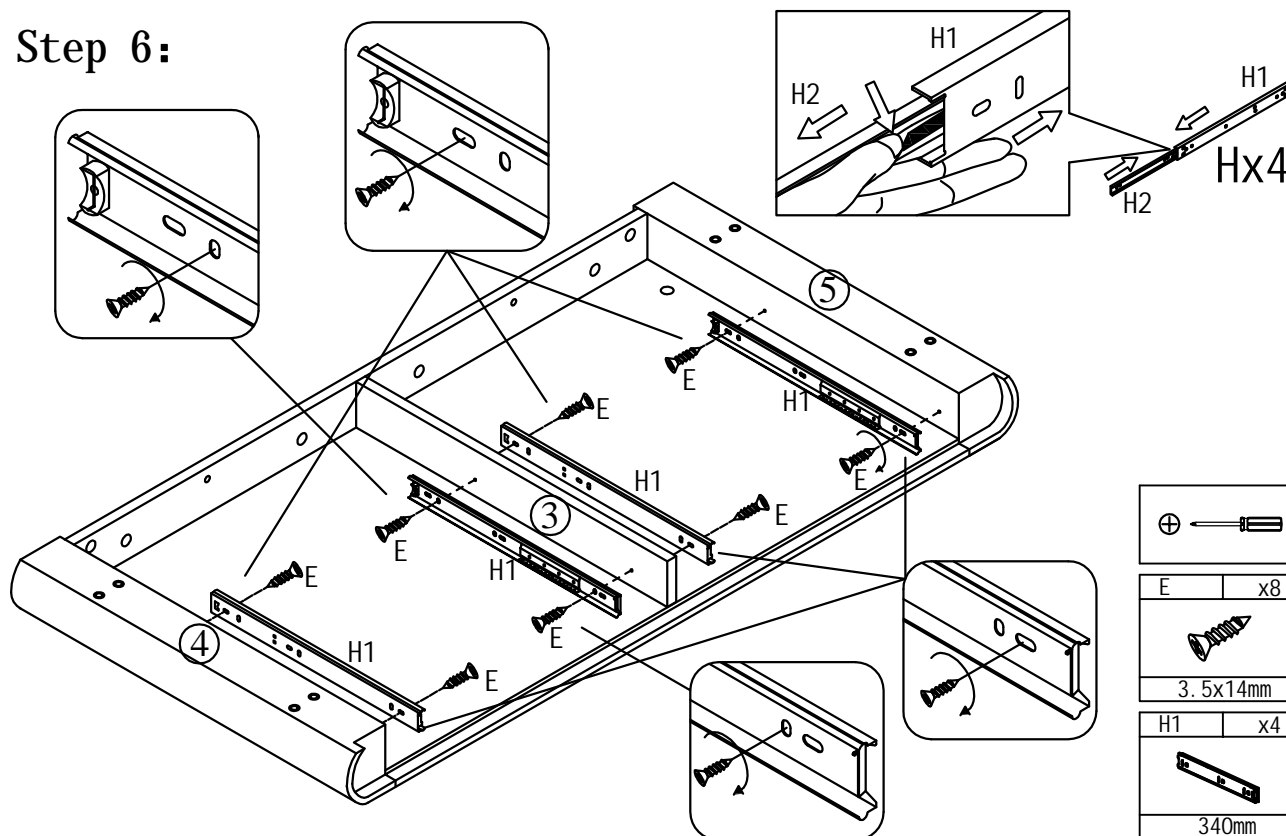
B	x6
$\phi 15 \times 10 \text{mm}$	




Step 5:



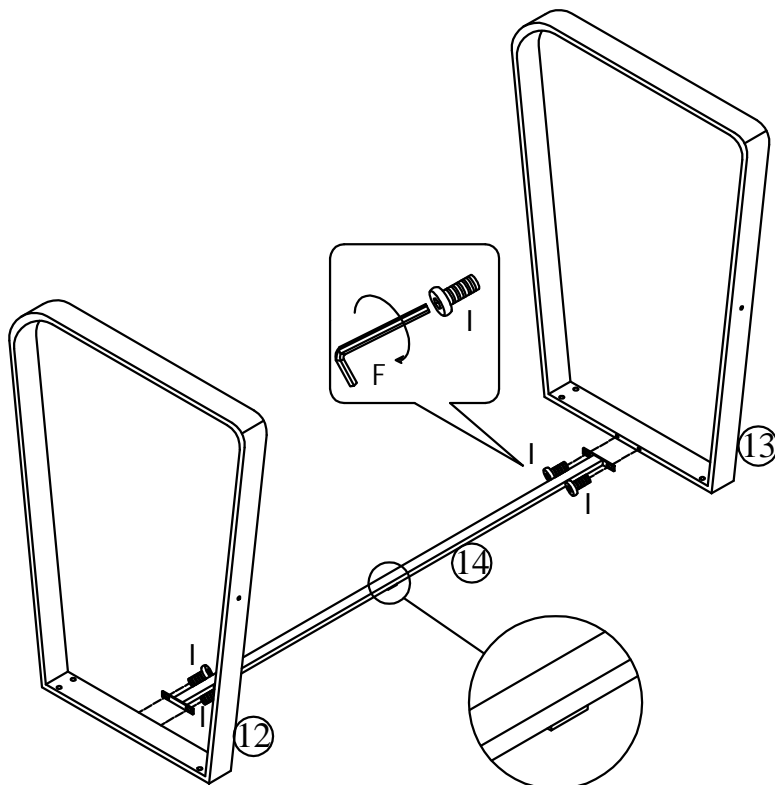
	
B	x8
	
ø15x10mm	

Step 6:



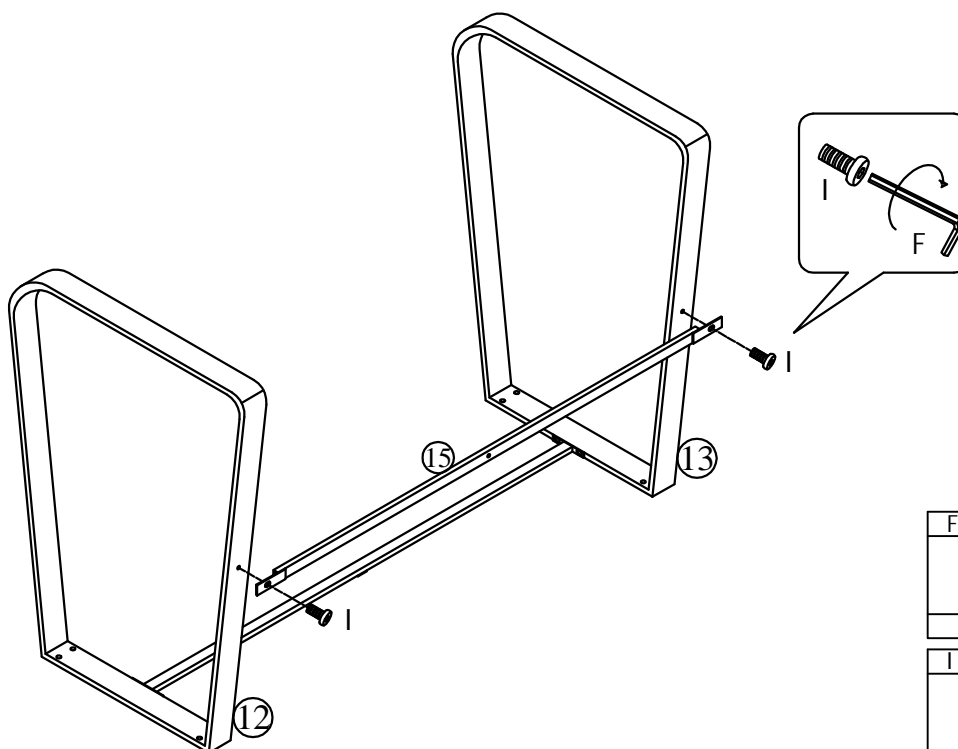
	
E	x8
	
3.5x14mm	
H1	x4
	
340mm	

Step 7:



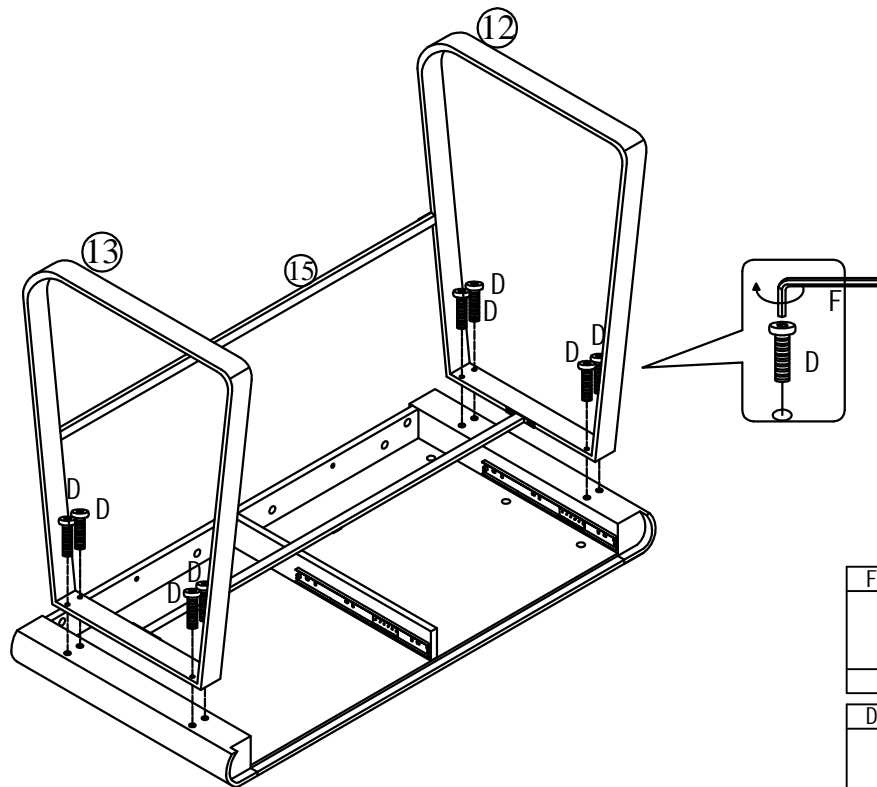
F	x1
M4	
I	x4
6x12mm	



Step 8:



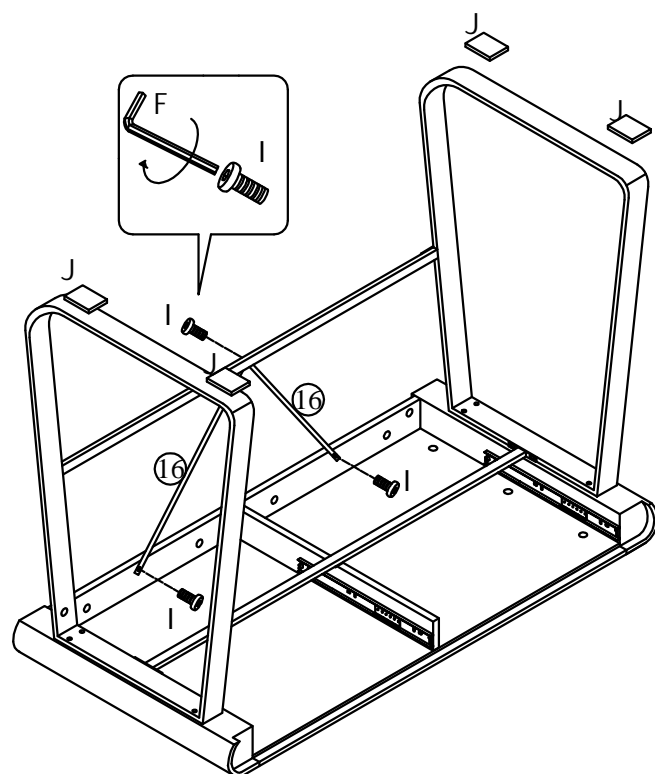
F	x1
M4	
I	x2
6x12mm	



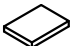
Step 9:



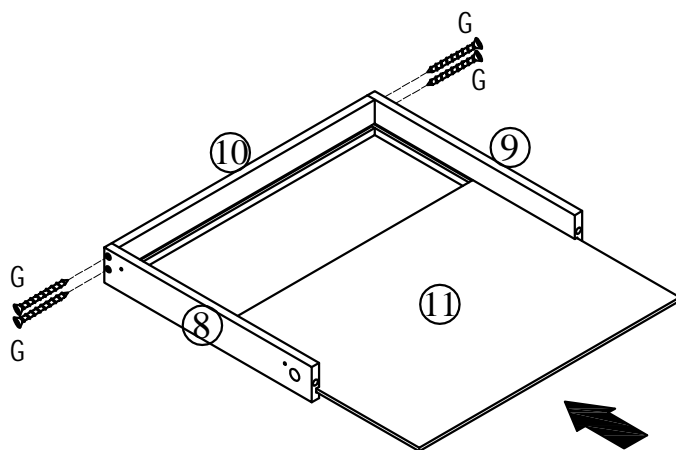
F	x1
	
M4	
D	x8
	
6x25mm	

Step 10:

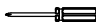
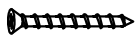


F	x1
	
M4	
I	x3
	
6x12mm	
J	x4
	
40x30x5mm	

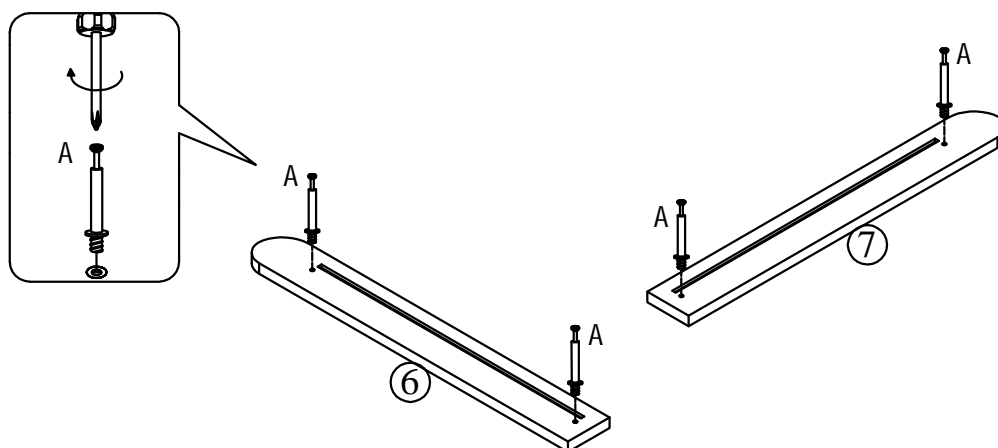
Step 11:

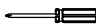
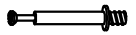


x2

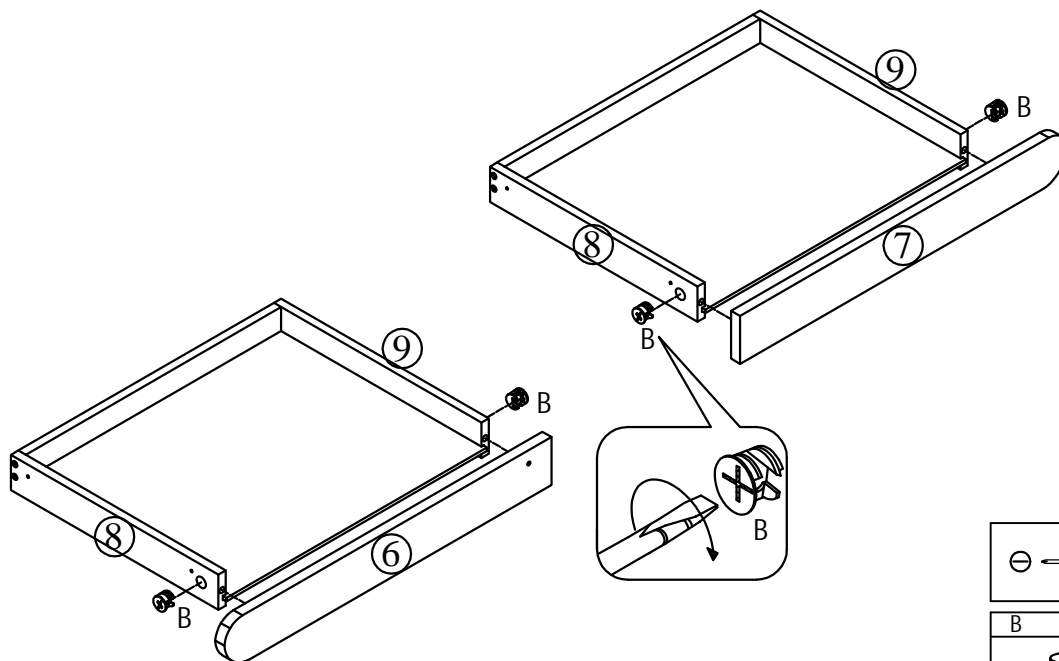
⊕ 	
G	x8
	
4x35mm	


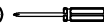

Step 12:



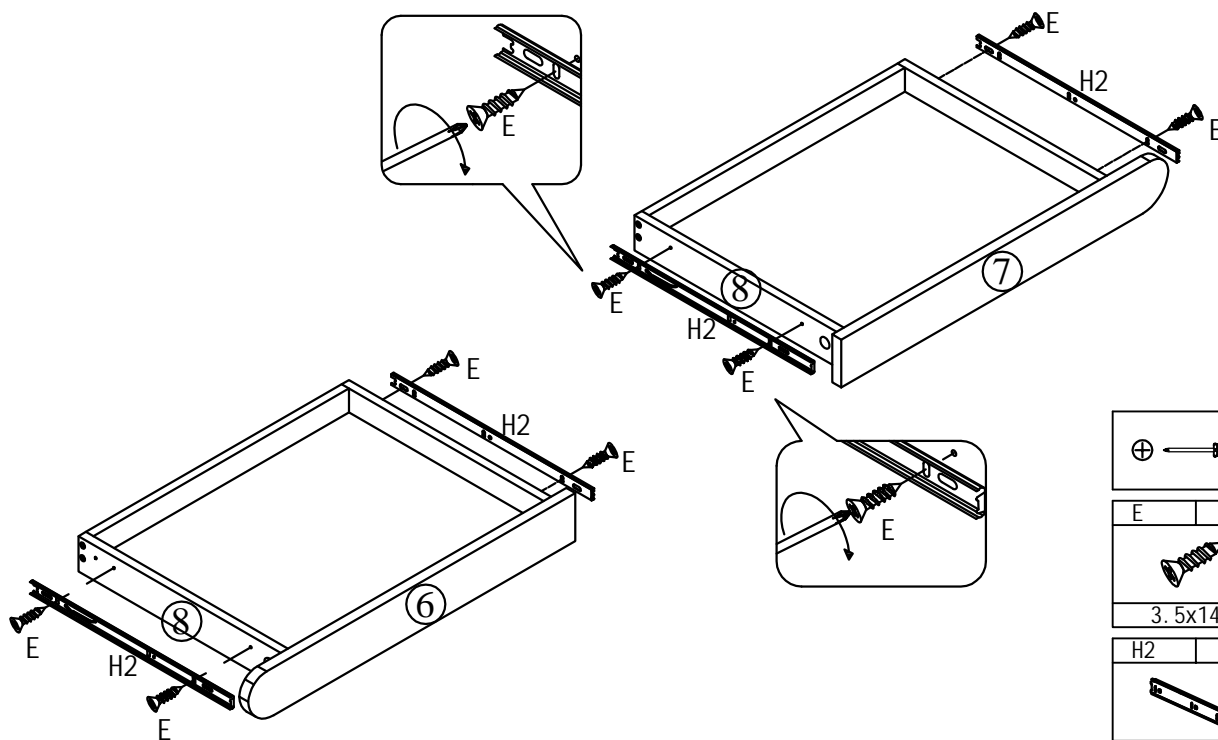
⊕ 	
A	x4
	
6x35mm	


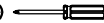


Step 13:



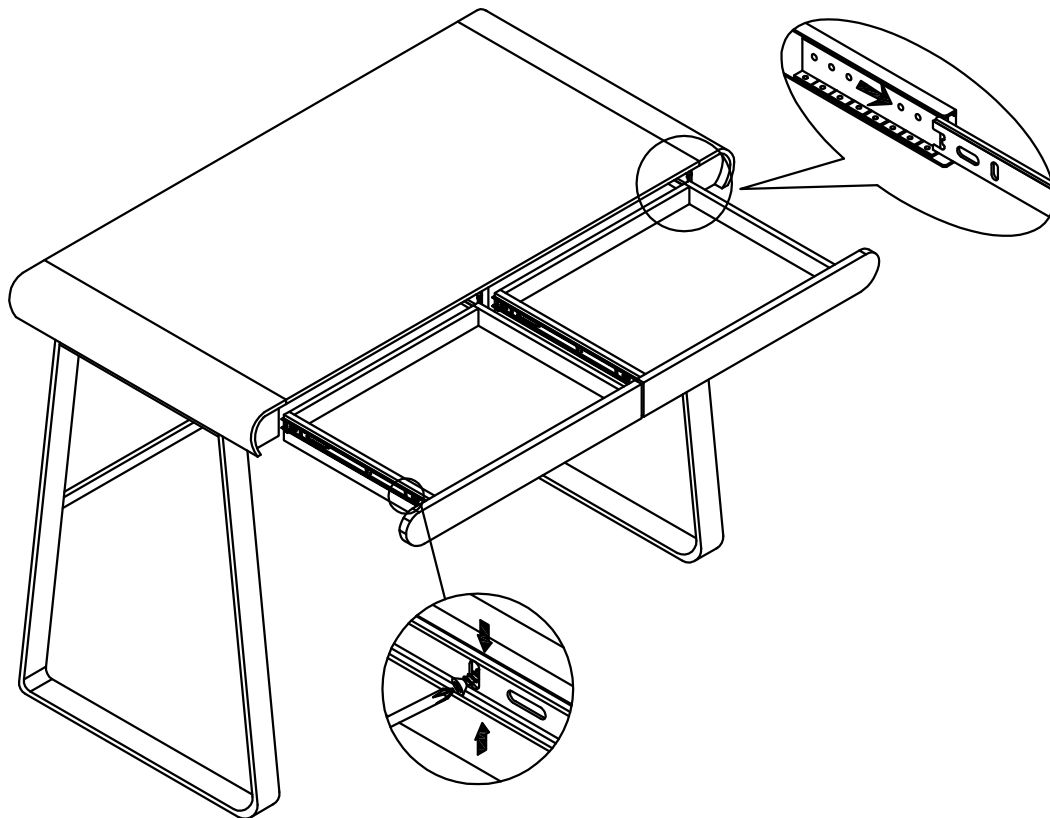
	
B	x4
	
ø15x10mm	

Step 14:



	
E	x8
	
3.5x14mm	
H2	x4
	
340mm	

Step 15:



Step 16:

