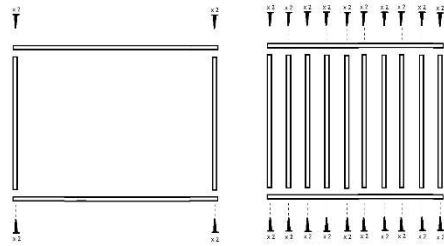


Timber Shed Base

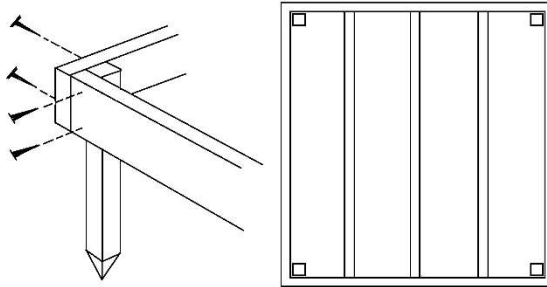
Step 1.

Using the screws provided fix the timber frame together as shown. Begin with the external frame and then space the remaining internal timber evenly. (Please note that your base may have different number of timber lengths, but the method is still the same)



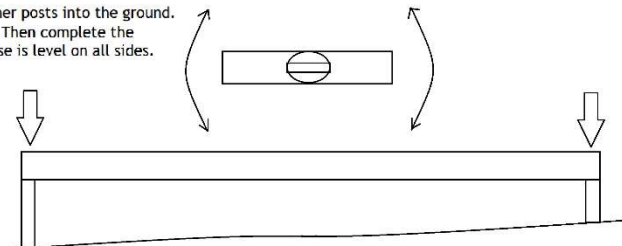
Step 2.

Fix one post into each corner using the screws provided as shown.



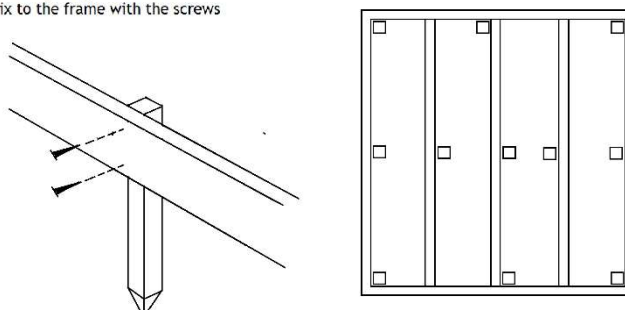
Step 3.

Position the base as required. Using a hammer knock the corner posts into the ground. Start with the corner that is at the highest point of the site. Then complete the remaining 3 corners, using a spirit level to ensure that the base is level on all sides.



Step 4.

Space the remaining posts evenly within the frame, as shown. (Please note depending on the size of your base, you will have a different number of posts). First hammer the post into the ground until flush with the frame. Then fix to the frame with the screws provided.



Step 5. (optional)

Once the base has been completed, it is time to begin the assembly of the shed. Position the shed floor onto the base squarely. Using the screws provided, screw through the floor, through the floor bearer and into the frame of the base. Repeat this until each floor bearer is in contact with the frame.