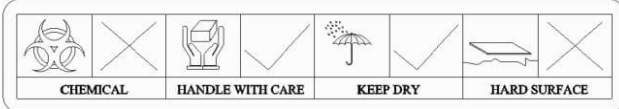
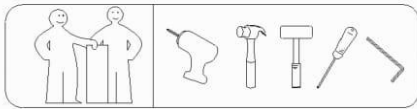
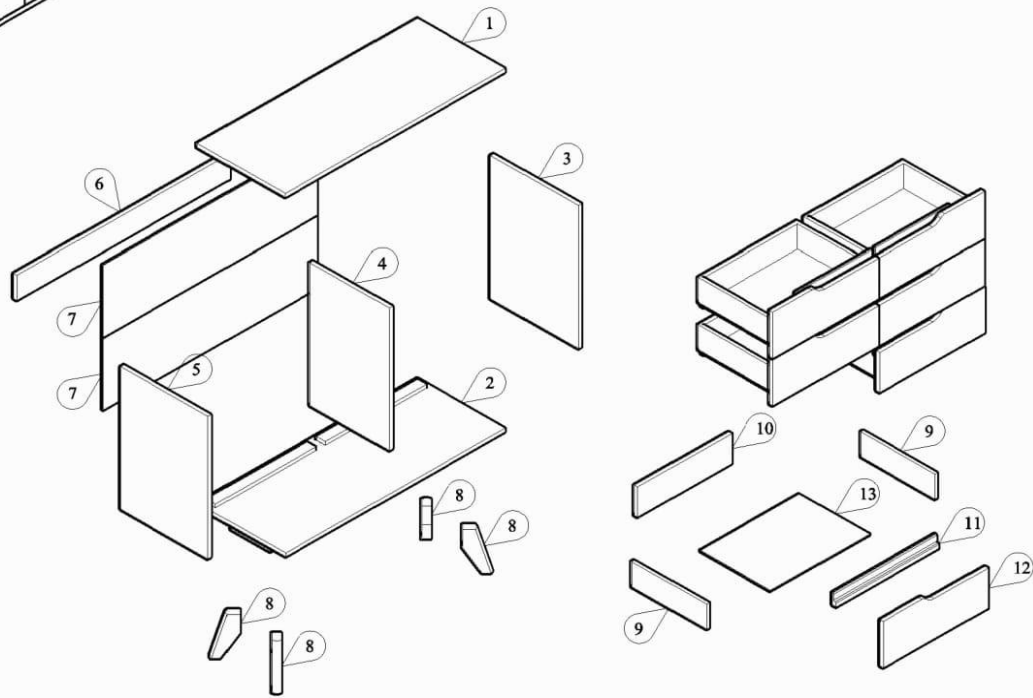


**PANEL POSITION**

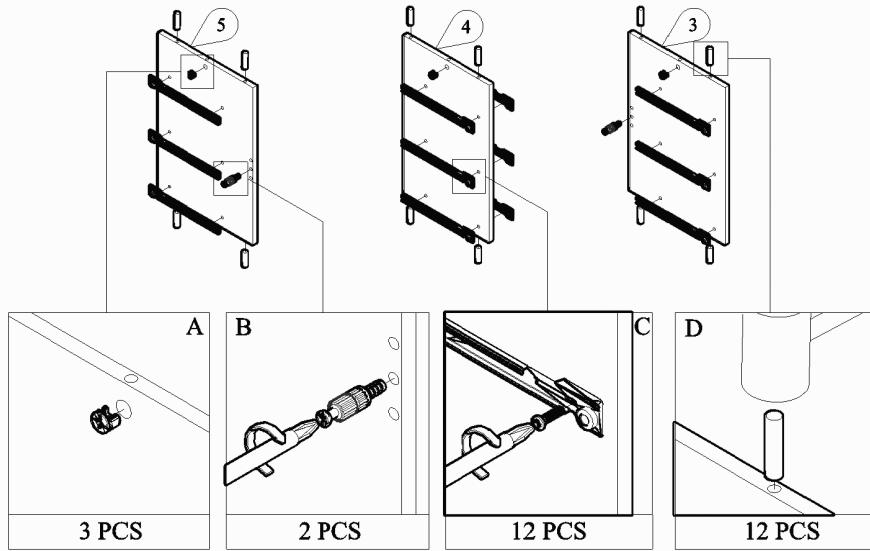


	ACCESSORIES	QUANTITY
A	MINIFIX CASING	5 PCS
B	MINIFIX M5 x 24MM	5 PCS
C	DRAWER SLIDE 14" SCREW M3.5 x 12MM	6 SETS 72 PCS
D	WOOD DOWEL M8 x 30	16 PCS
E	CAPWOOD M6 x 50	6 PCS
F	WHITE LEG PIN	4 PCS
G	SCREW M3.5 x 16	13 PCS
H	SCREW M4 x 30	12 PCS
I	SCREW M4 x 38	48 PCS
J	L-BRACKET	1 PC
K	WALL PLUG	1 PC
L	SCREW M4 x 28	1 PC
M	SCREW M7 x 50	8 PCS
N	ALLEN KEY	1 PC

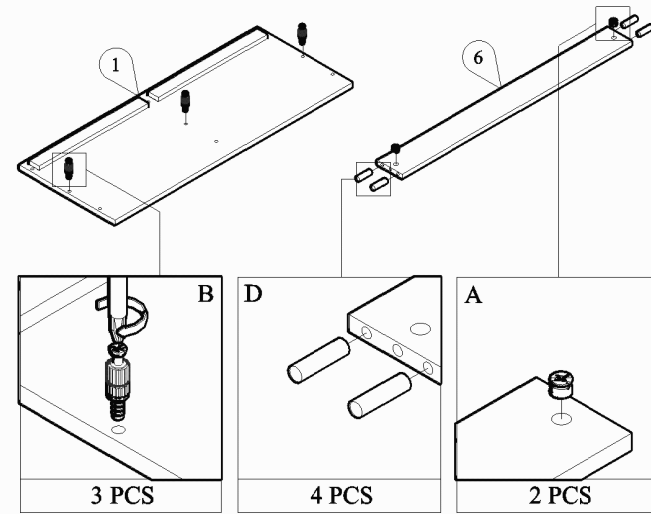


# START ASSEMBLY

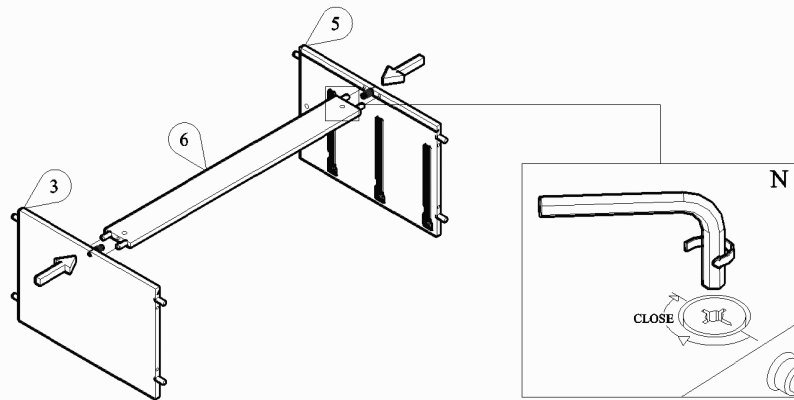
## STEP 1



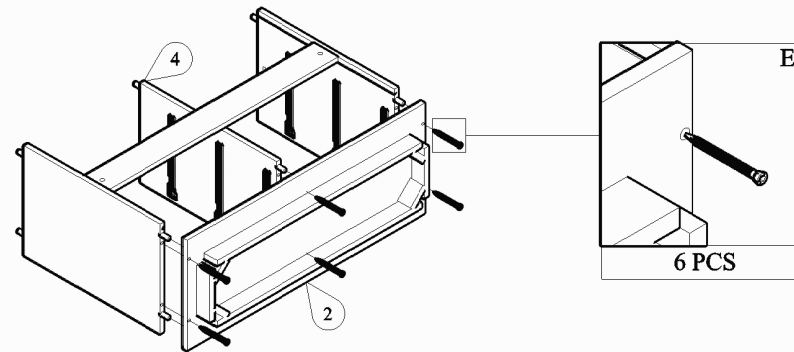
## STEP 2



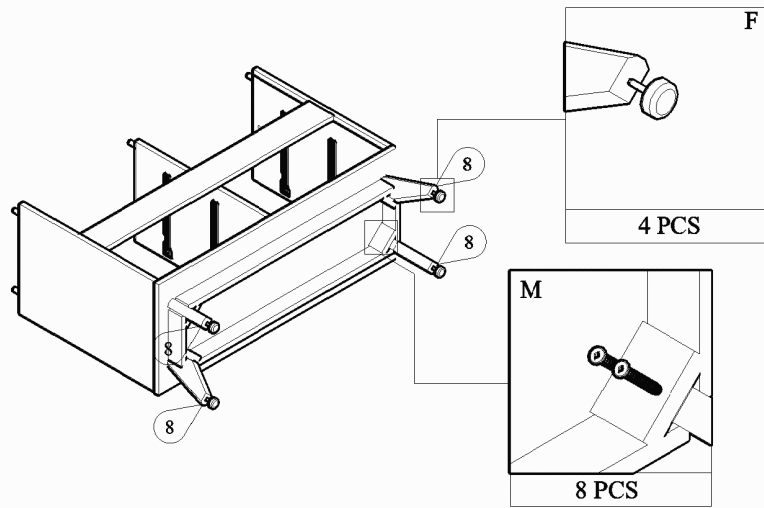
## STEP 3



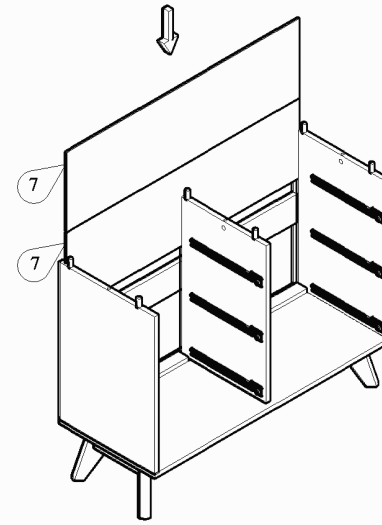
## STEP 4



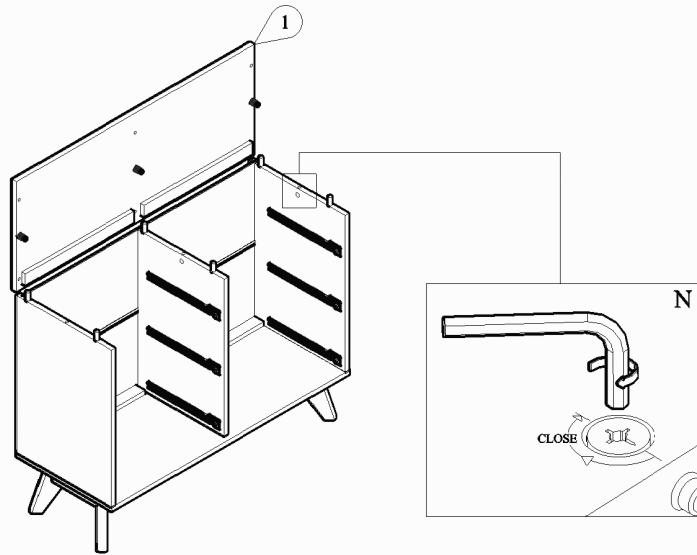
STEP 5



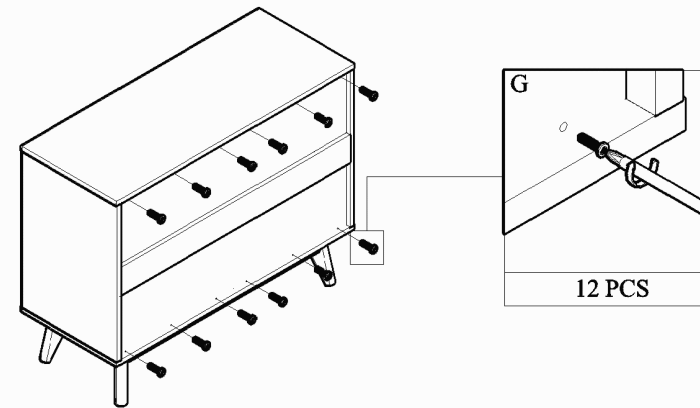
STEP 6



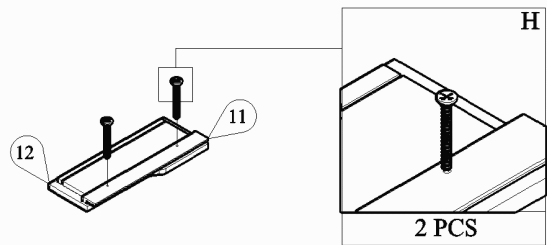
STEP 7



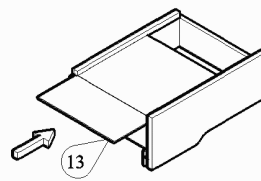
STEP 8



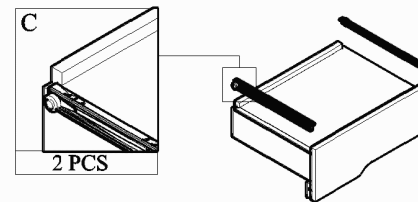
STEP 9



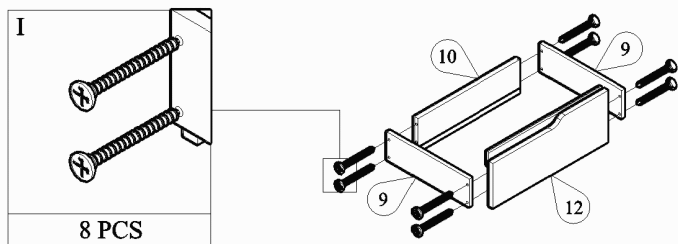
STEP 11



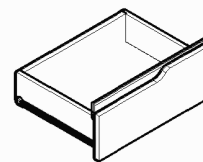
STEP 12



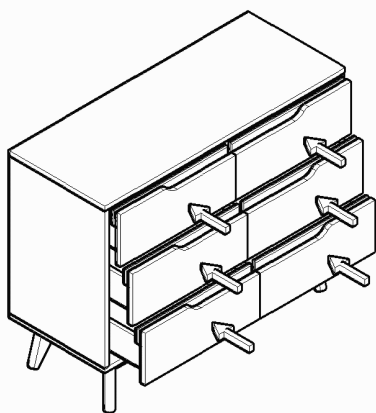
STEP 10



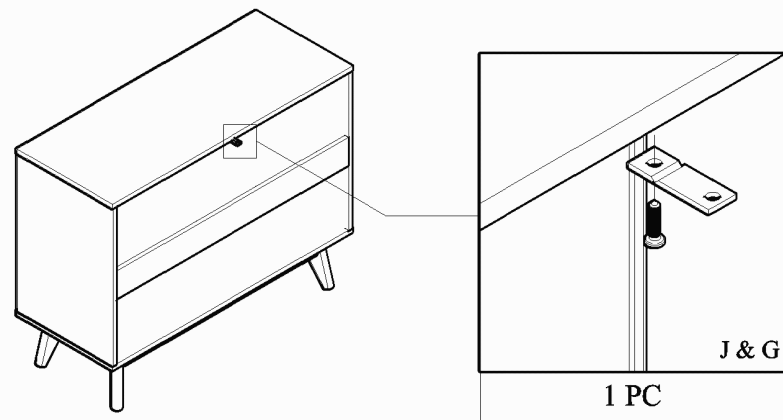
COMPLETED DRAWER (6 SETS)



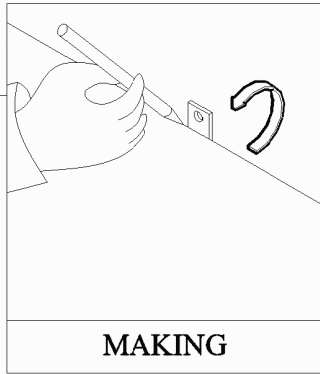
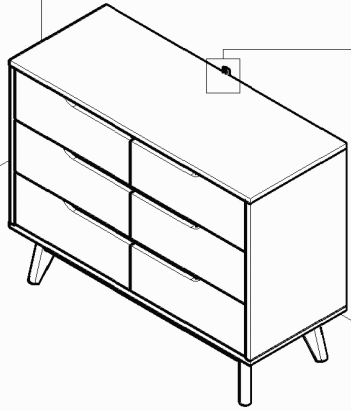
STEP 13



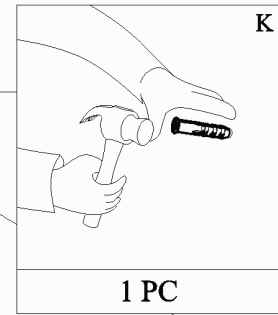
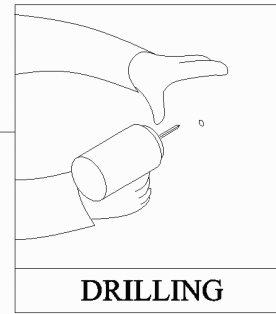
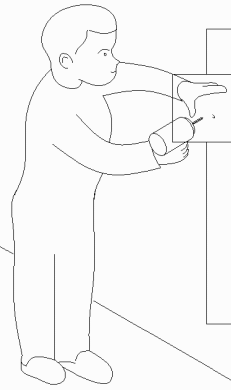
STEP 14



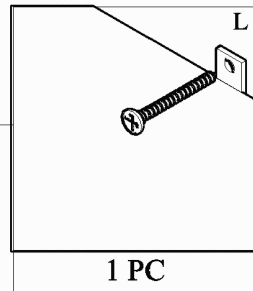
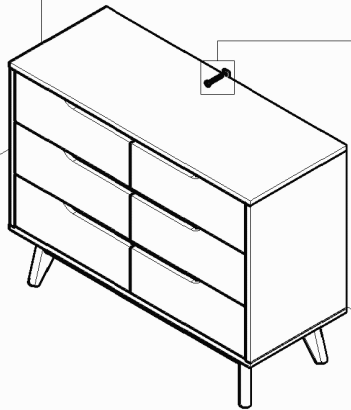
STEP 15



STEP 16



STEP 17



COMPLETED

