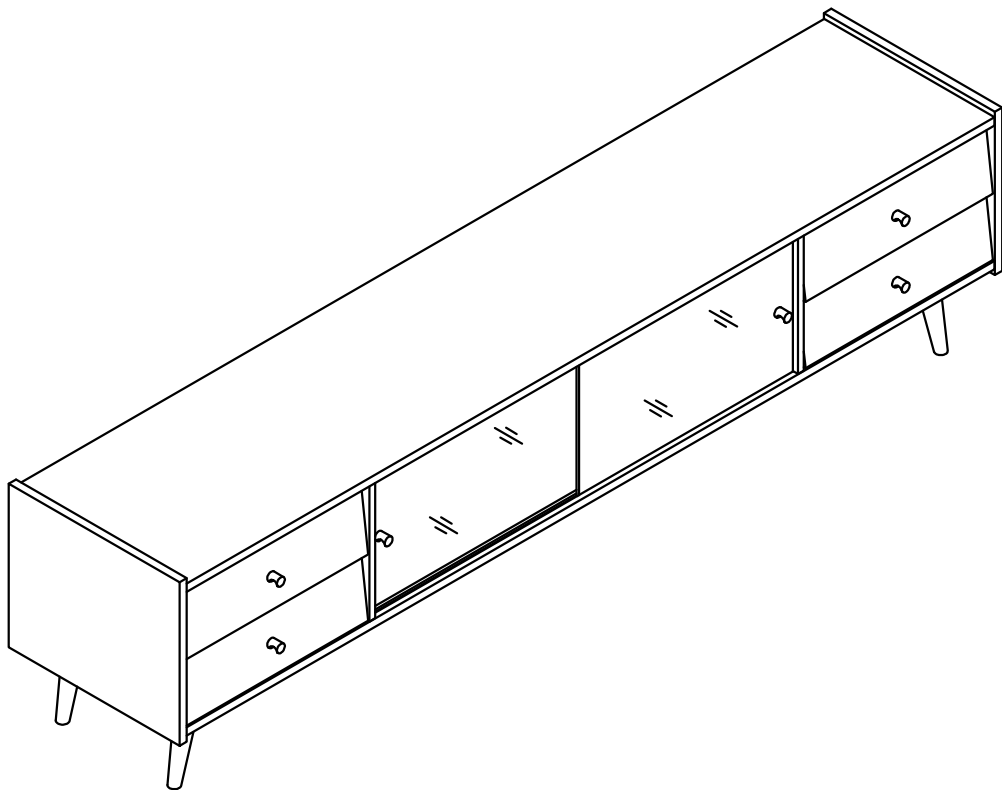


TV STAND

Assembly Instructions - Please keep for future reference



Dimensions

Width-66.93inch
Depth-13.78incn
Height-17.12inch

Important - Please read these instructions fully before starting assembly



Safety and Care Advice

Important – Please read these instructions fully before starting assembly

- Check you have all the components and tools listed on the following pages.
- Remove all fittings from the plastic bags and separate them into their groups.
- Keep children and animals away from the work area, small parts could choke if swallowed.
- Make sure you have enough space to layout the parts before starting.

- During assembly do not stand or put weight on the product, this could cause damage.
- Assemble the item as close to its final position (in the same room) as possible.
- Assemble on a soft level surface to avoid damaging the unit or your floor.
- Parts of the assembly will be easier with 2 people.



power drill is set on a low torque setting.

- To reduce the likelihood of damaging your product please ensure that your

Care and maintenance

- Only clean using a damp cloth and mild detergent, do not use bleach or abrasive cleaners.
- From time to time check that there are no loose screws on this unit.
- This product should not be discarded with household waste. Take to your local authority waste disposal centre.

Handy Hints

- Assemble all parts and bolts loosely during assembly, only once the product is complete should you fully tighten the bolts
- Regularly check and ensure That all bolts and fittings are tightend properly.

WARNING In order to help prevent overturning – please follow these instructions

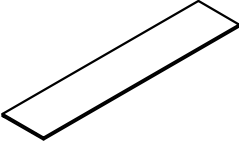
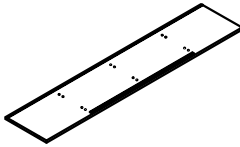
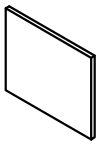
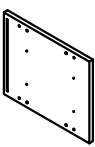
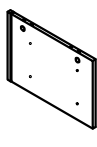
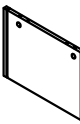
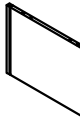
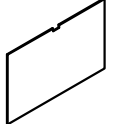
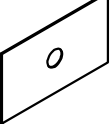
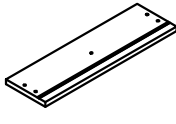
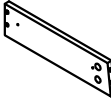
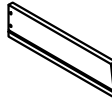

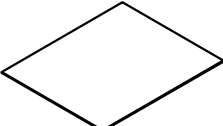
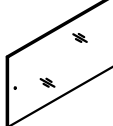
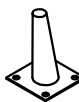
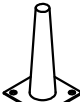
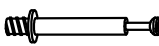








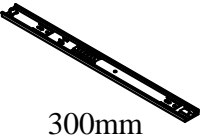
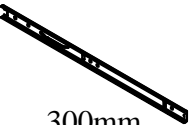




To help prevent product toppling over please follow the below steps:-

- Use the anti tip stap or wall fixing method provided (if applicable)
- Do not allow children to climb or hang on the furniture
- Do not open more than one drawer at a time
- Do not place heavy items in the top drawers
- Do not place heavy items on top of the furniture, unless the furniture has been designed for this purpose

Components - Fittings

Please check you have all the panels listed below





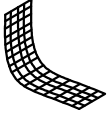
Note: The quantities below are the correct amount to complete the assembly. In some cases more fittings may be supplied than are required.

				
① x 1PC	② x 1PC	③ x 1PC	④ x 1PC	⑤ x 1PC
				
⑥ x 1PC	⑦ x 1PC	⑧ x 2PCS	⑨ x 2PCS	⑩ x 4PCS
				
⑪ x 4PCS	⑫ x 4PCS	⑬ x 4PCS	⑭ x 4PCS	⑮ x 2PCS
				
⑯ x 4PCS	⑰ x 1PC			
				
M6x35mm	Ø15x10mm	6x30mm	5x40mm	M4mm
Ⓐ x 30PCS	Ⓑ x 30PCS	Ⓒ x 20PCS	Ⓓ x 6PCS	Ⓔ x 1PC
				
3.5x12mm	M6x12mm	M3mm		300mm
Ⓕ x 48PCS	Ⓖ x 20PCS	Ⓗ x 1PC	Ⓘ x 16PCS	Ⓝ x 8PCS
				
300mm	4x30mm		4x15mm	4x8mm
Ⓚ x 8PCS	Ⓛ x 16PCS	Ⓜ x 6PCS	Ⓝ x 4PCS	Ⓞ x 2PCS

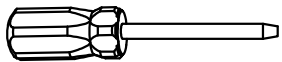
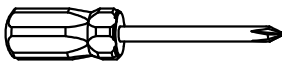
Components - Fittings

Please check you have all the panels listed below

Note: The quantities below are the correct amount to complete the assembly. In some cases more fittings may be supplied than are required.

 3.5x14mm	 4x35mm			
Ⓟ x 2PCS	Ⓠ x 2PCS	Ⓡ x 2PCS	Ⓢ x 4PCS	Ⓣ x 2PCS

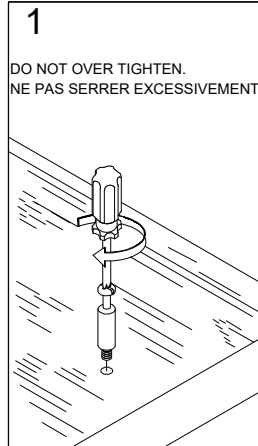
Tools required



Using Camlocks

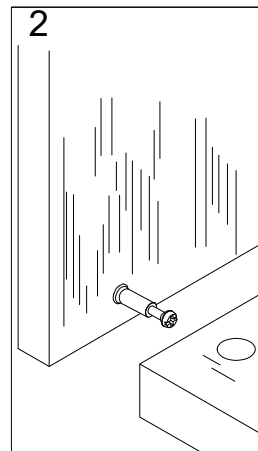
Step 1

Connect the male camlock as directed in the assembly instructions using a screwdriver.



Step 2

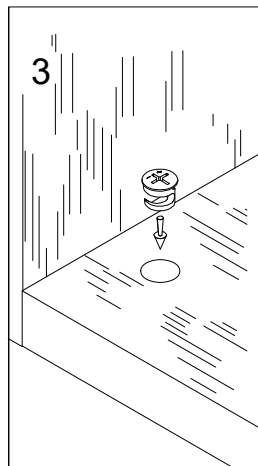
Push the male camlock into the entry hole.



Step 3

Insert the female camlock as shown in the instruction.

Note: ensure that the arrow on the top of the camlock points towards the entry hole for the male camlock.

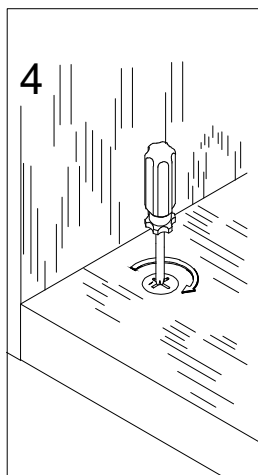


Step 4

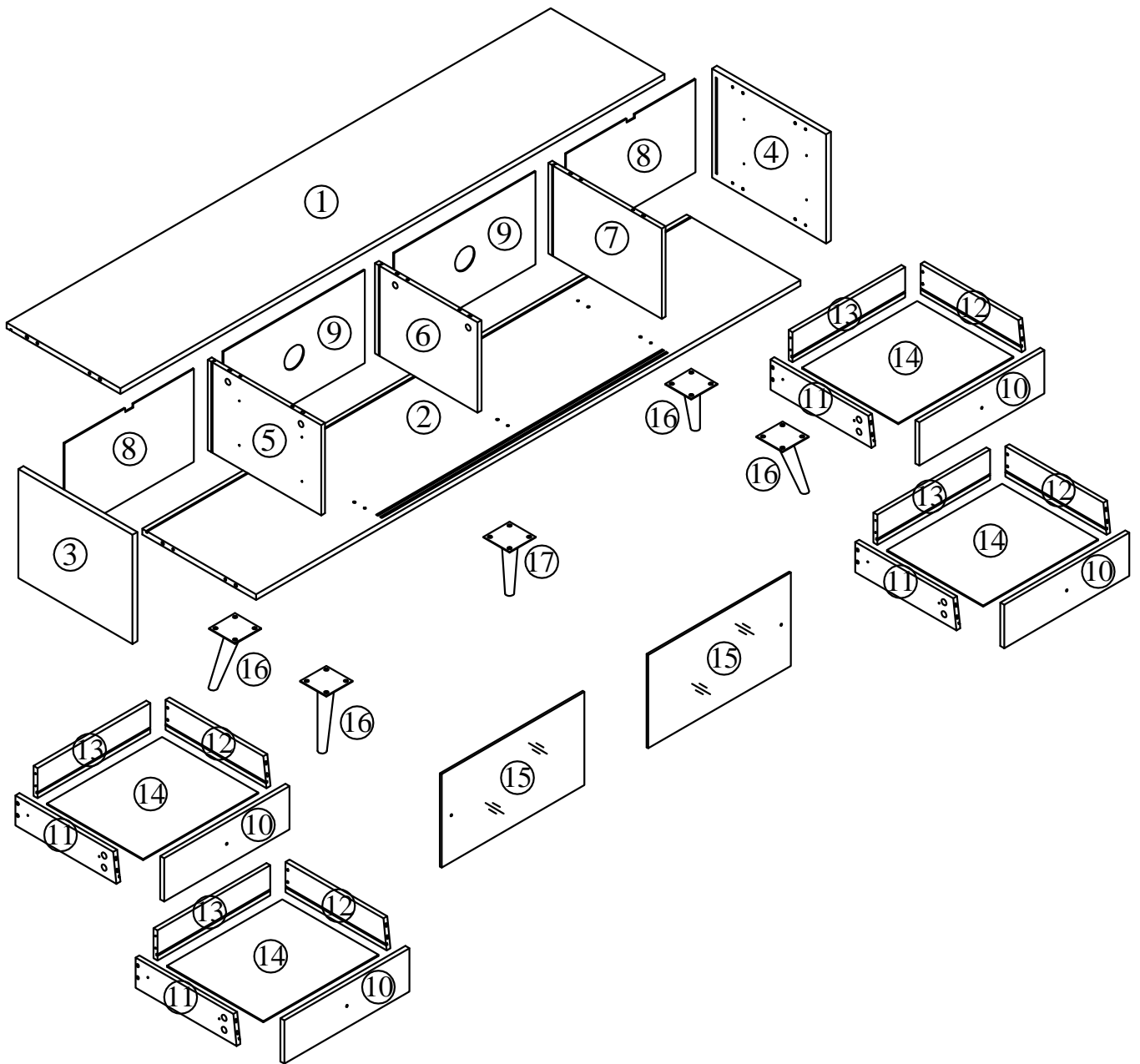
Turn the female camlock clockwise with a screwdriver.

You should feel a click when the camlock is locked in place.

The joint is now secure.

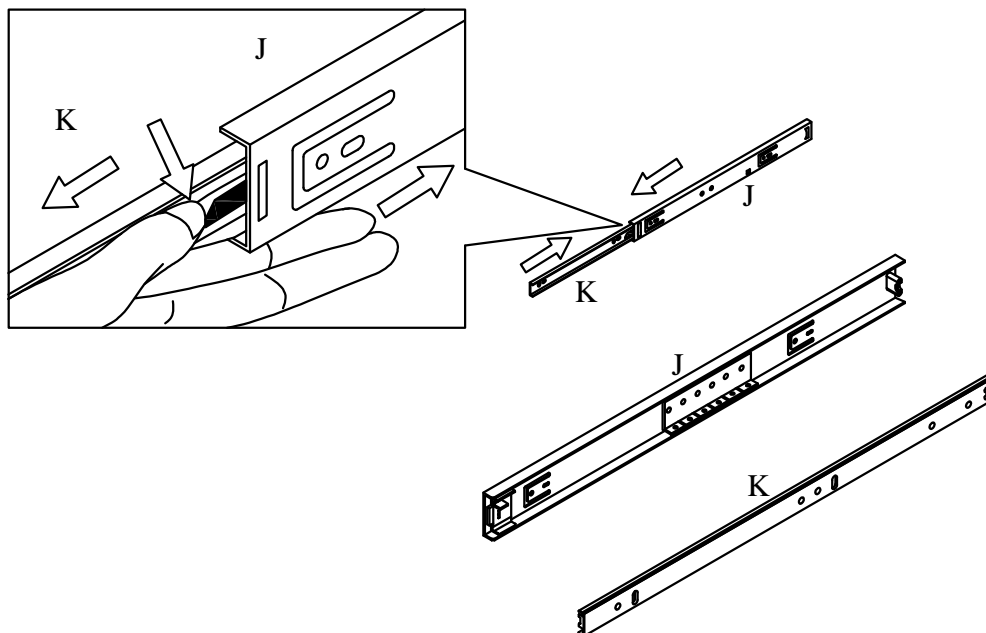


Assembly Instructions



Assembly Instructions

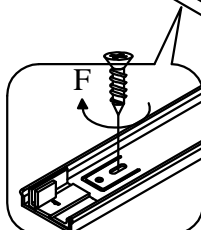
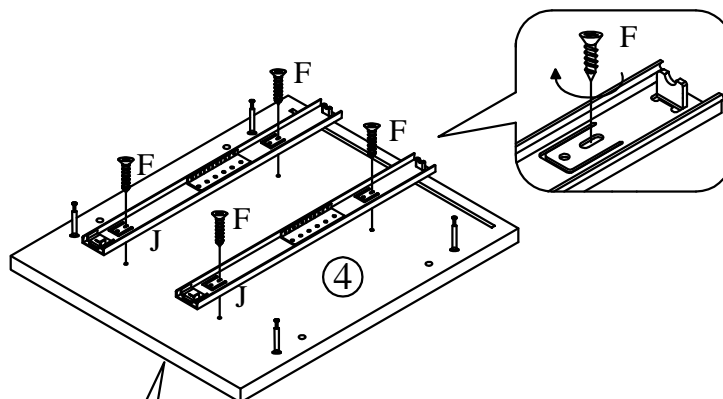
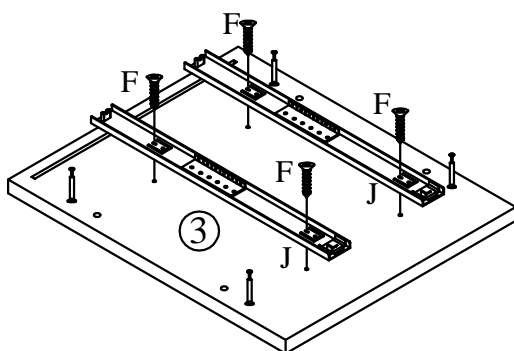
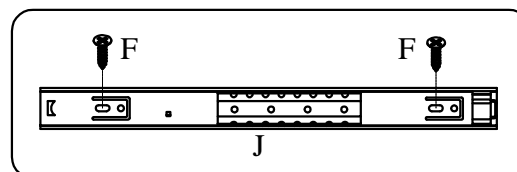
Step 1



J	x8
300mm	

K	x8
300mm	

Step 2

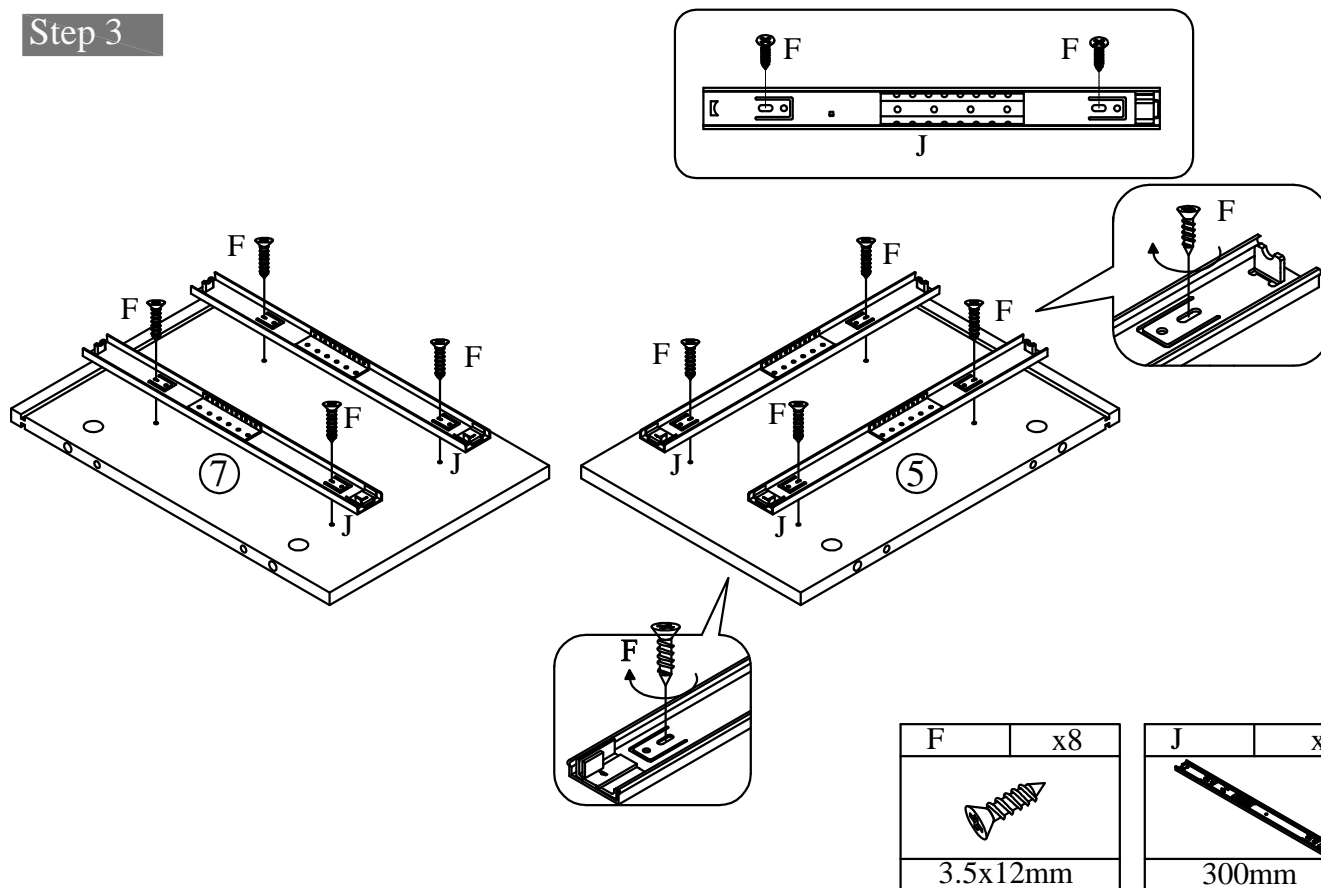


F	x8
3.5x12mm	

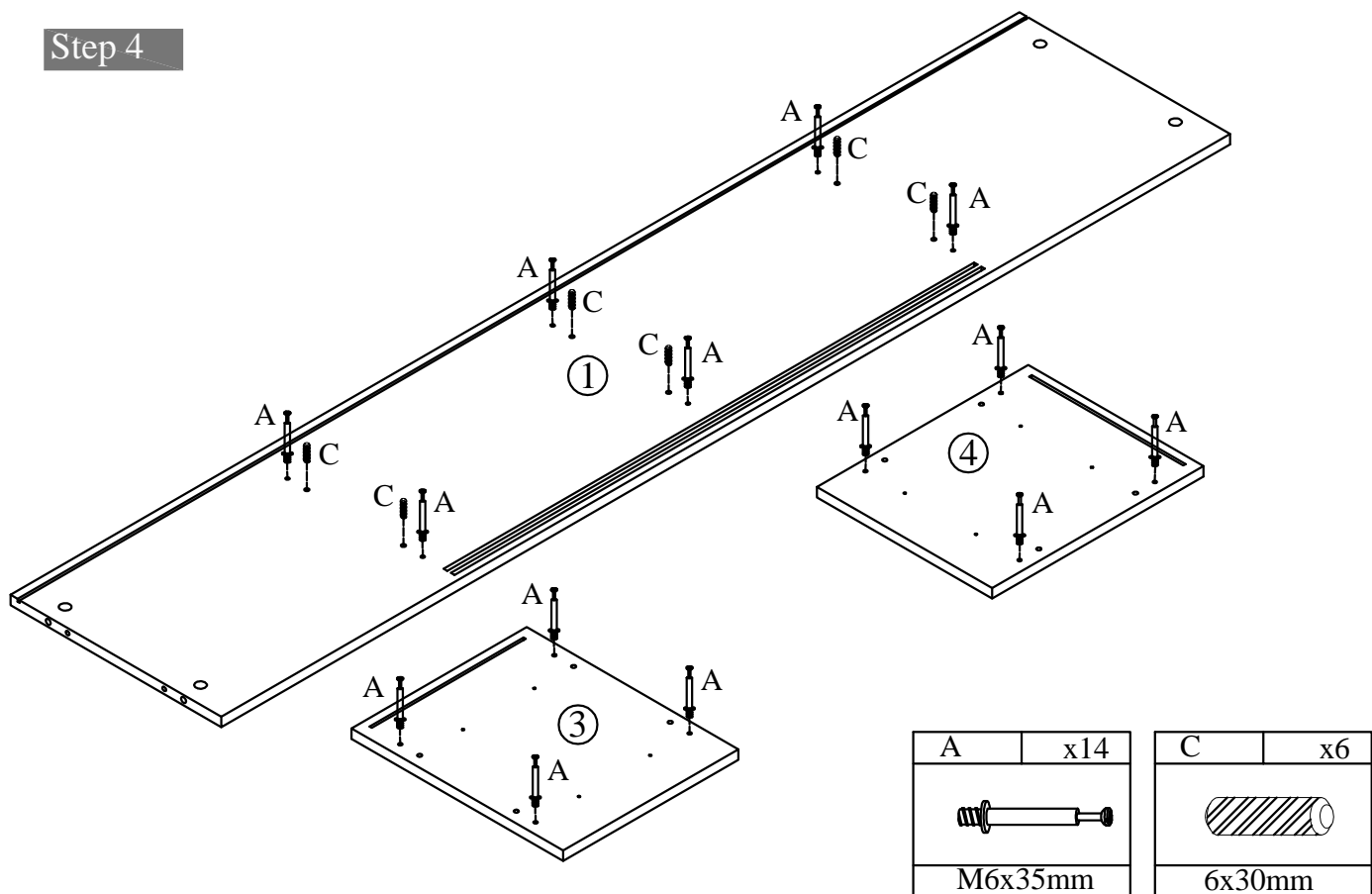
J	x4
300mm	

Assembly Instructions

Step 3

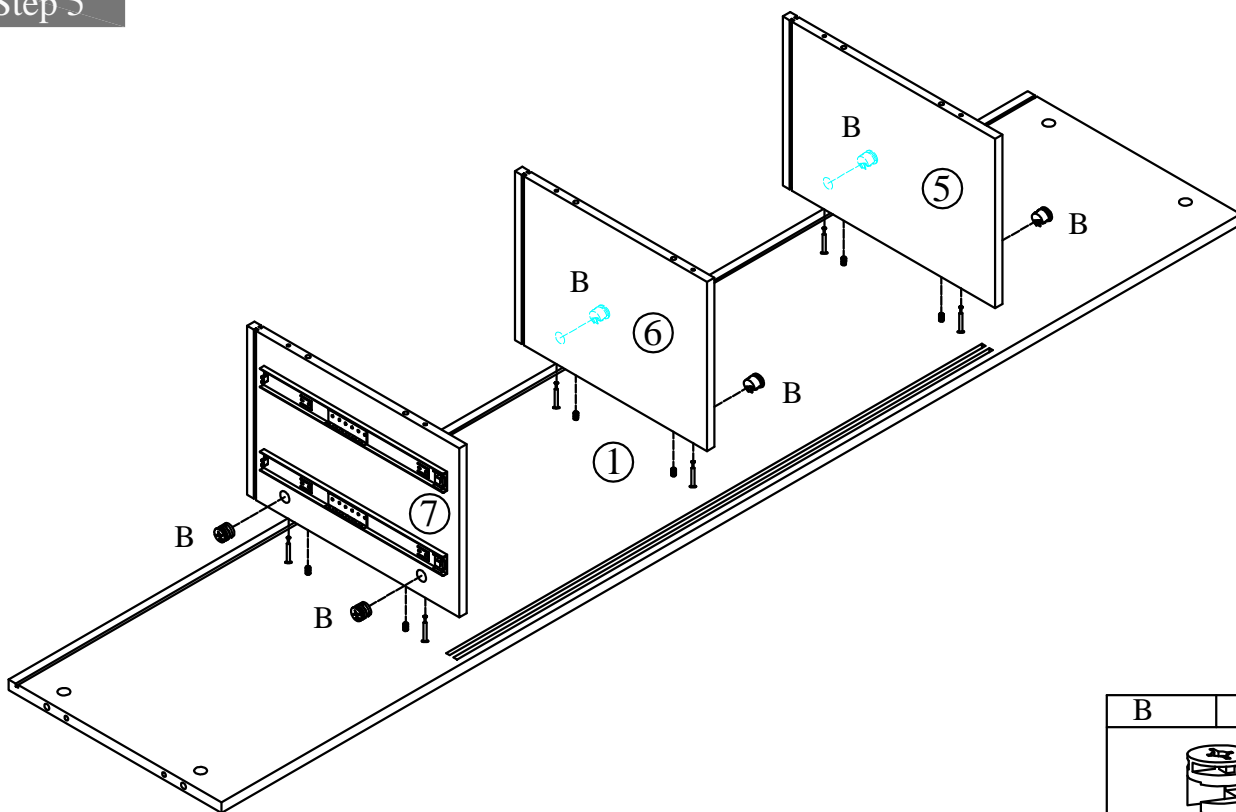



Step 4



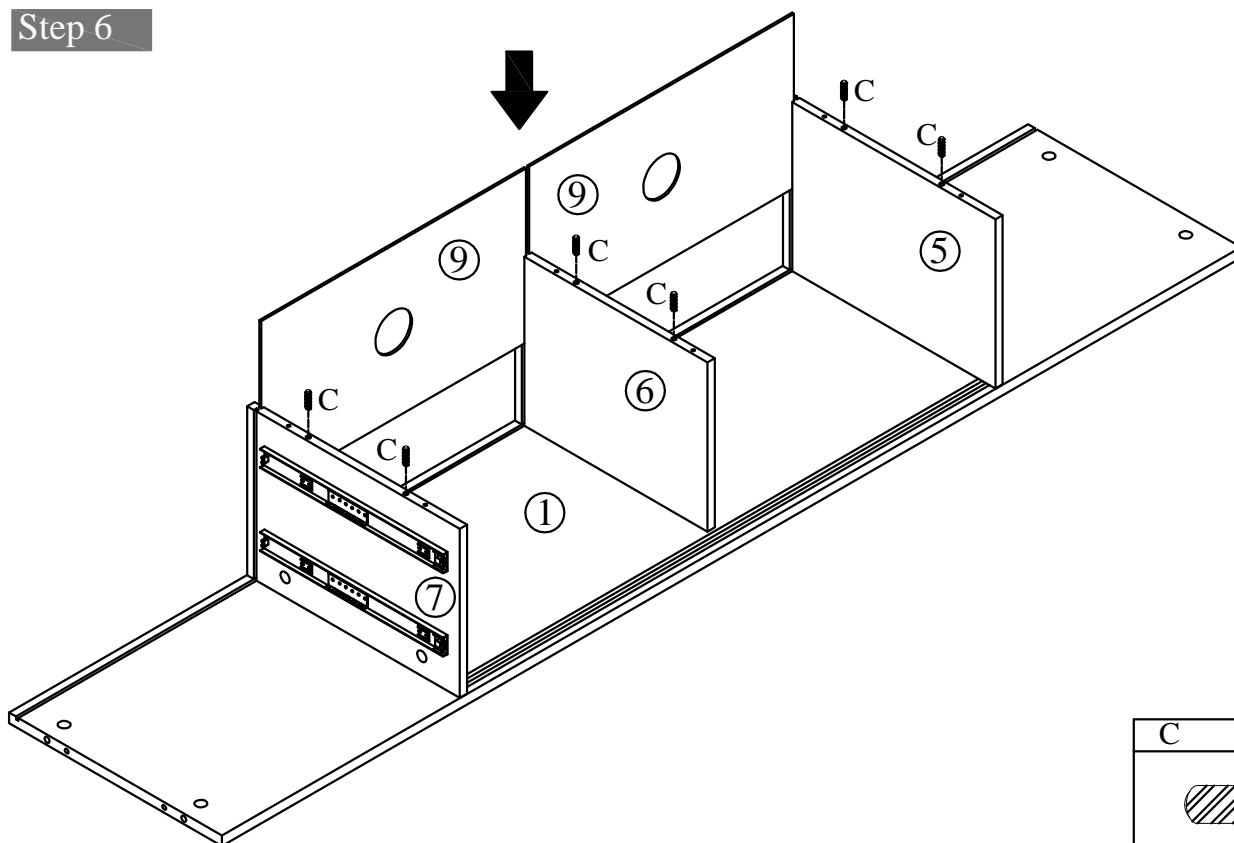
Assembly Instructions

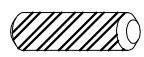
Step 5



B	x6
	
Ø15x10mm	

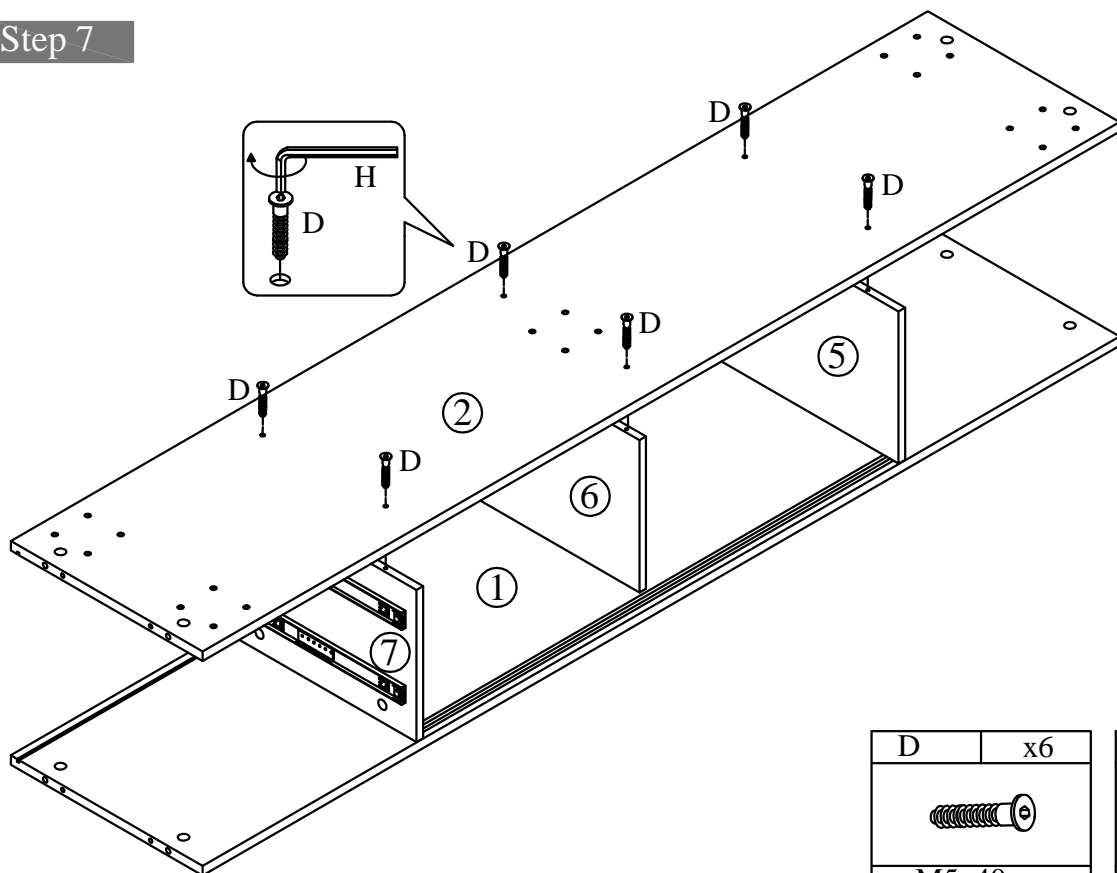
Step 6





C	x6
	
6x30mm	

Assembly Instructions

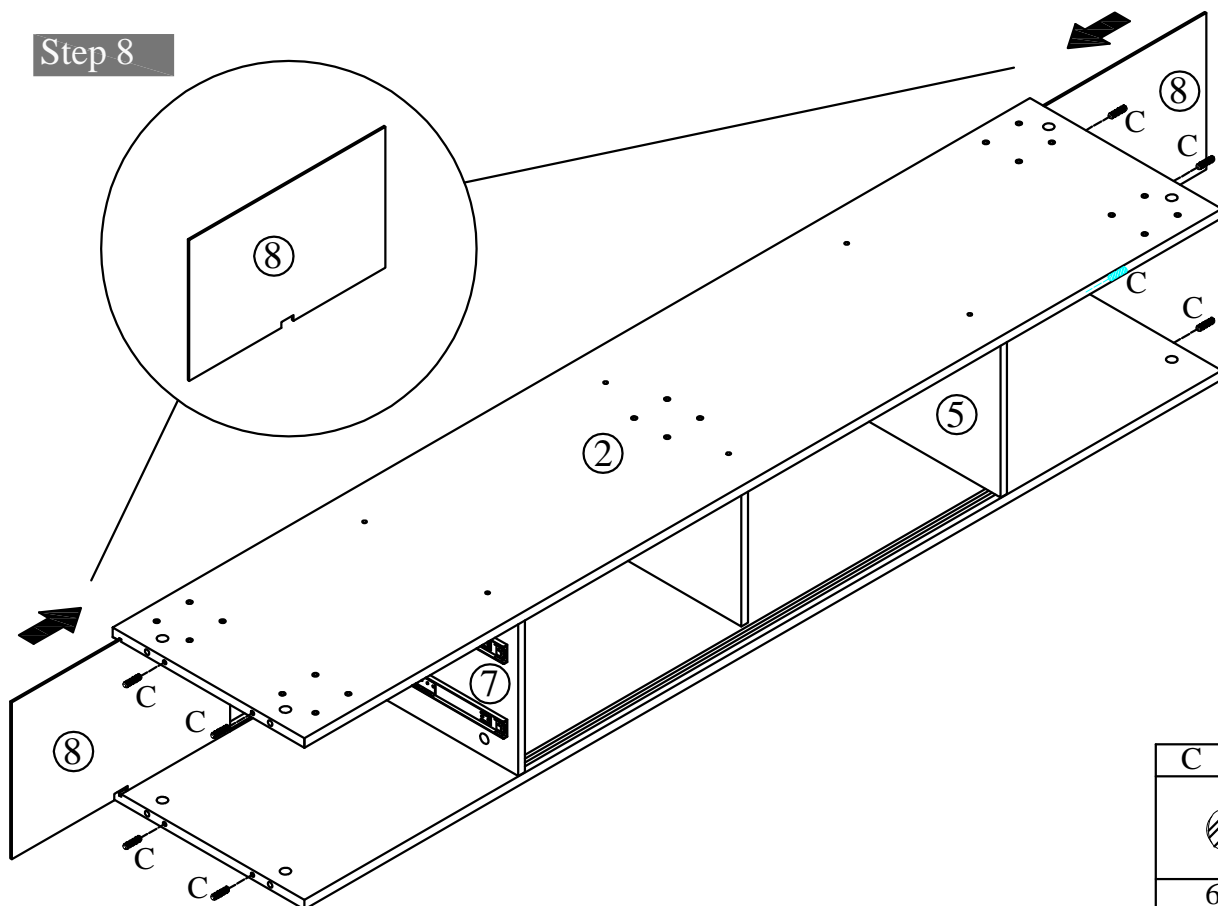
Step 7

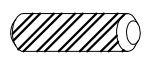


D	x6
	
M5x40mm	

H	x1
	
M3mm	

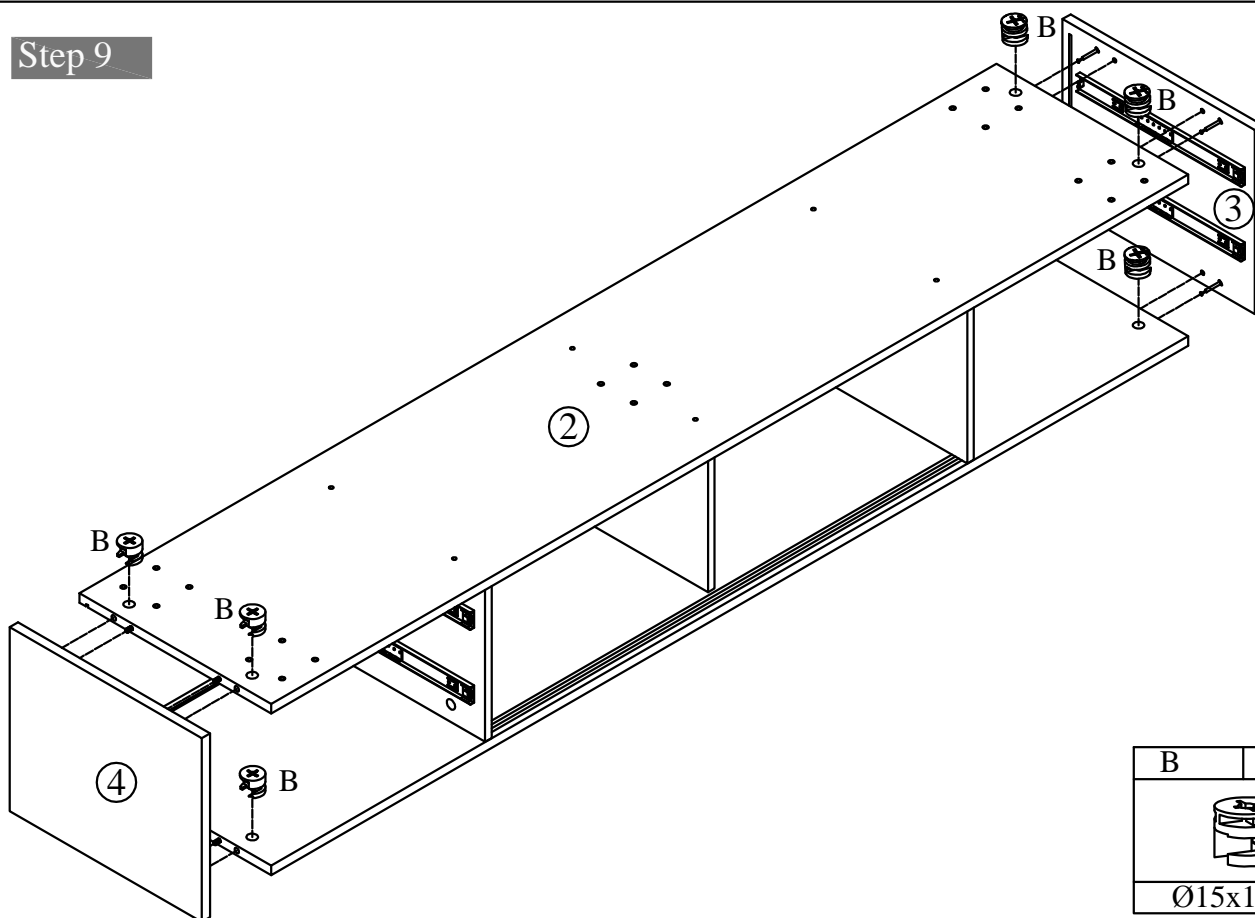
Step 8



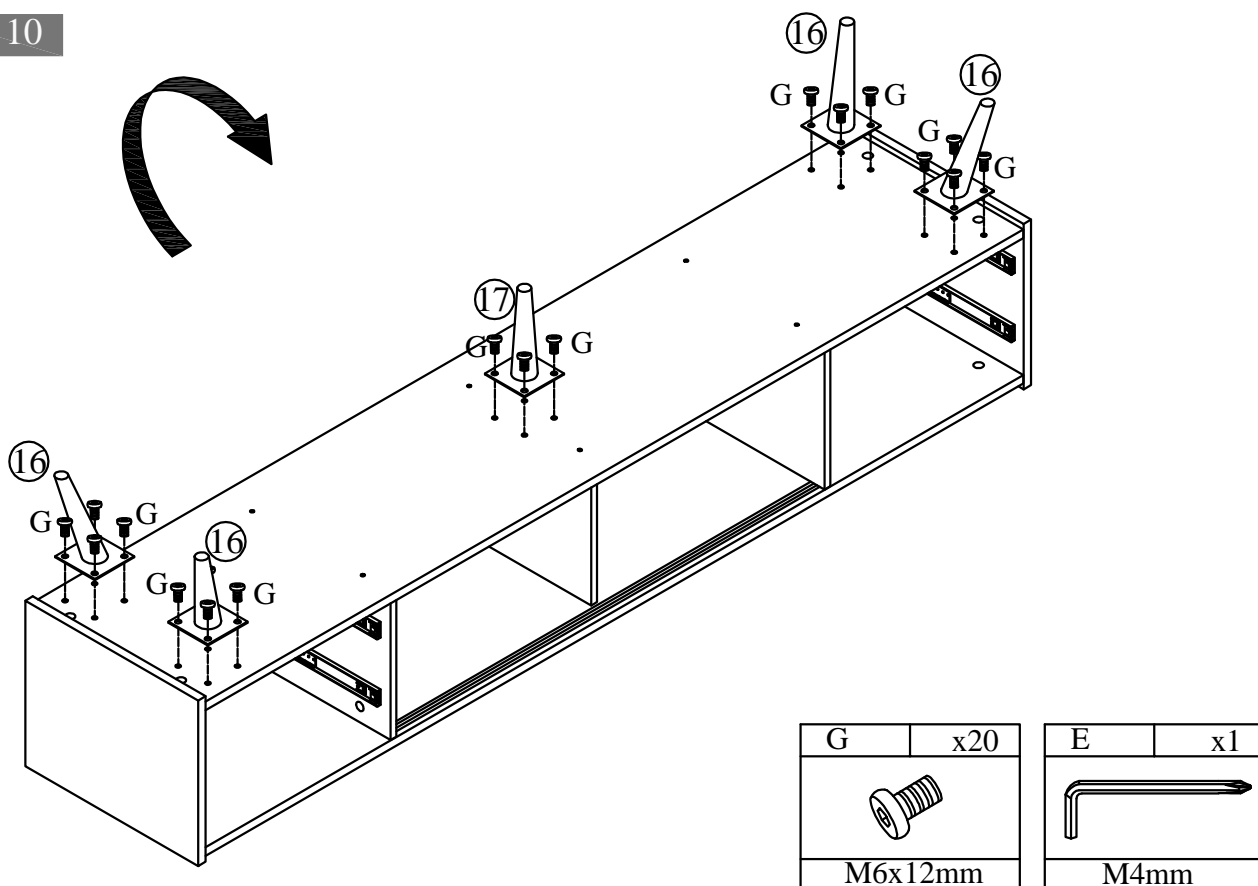
C	x8
	
6x30mm	

Assembly Instructions

Step 9

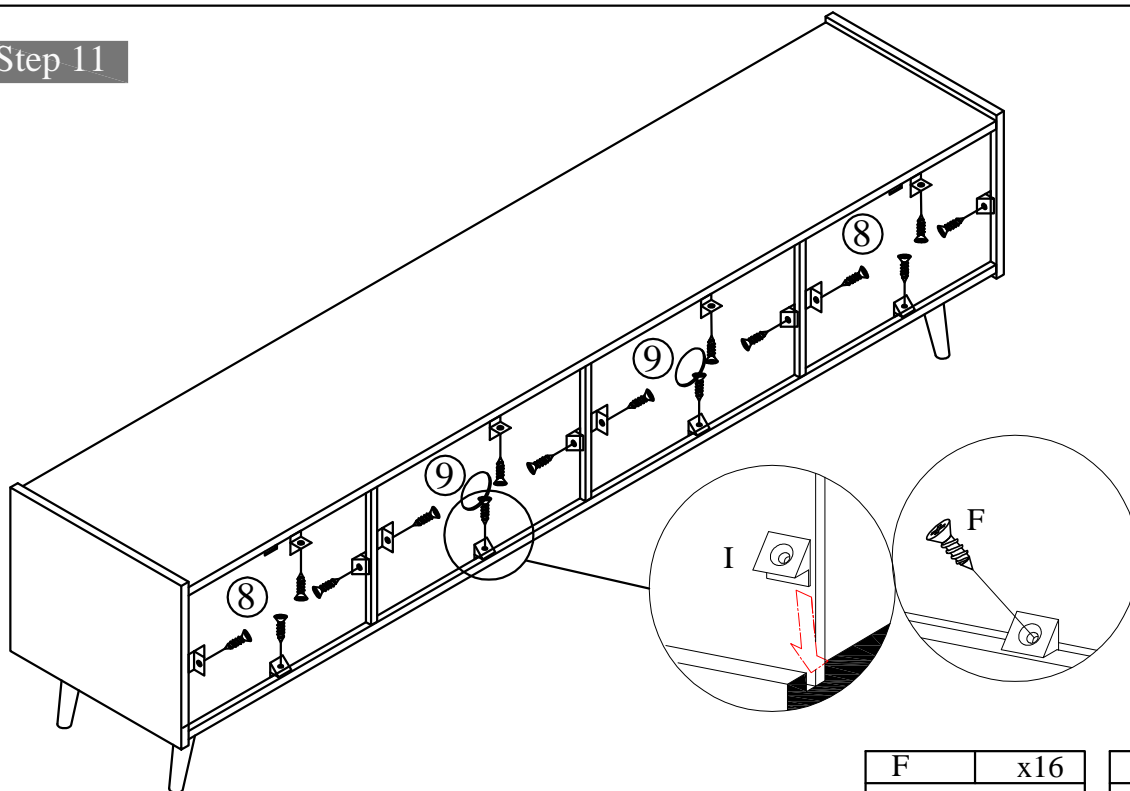



Step 10




Assembly Instructions

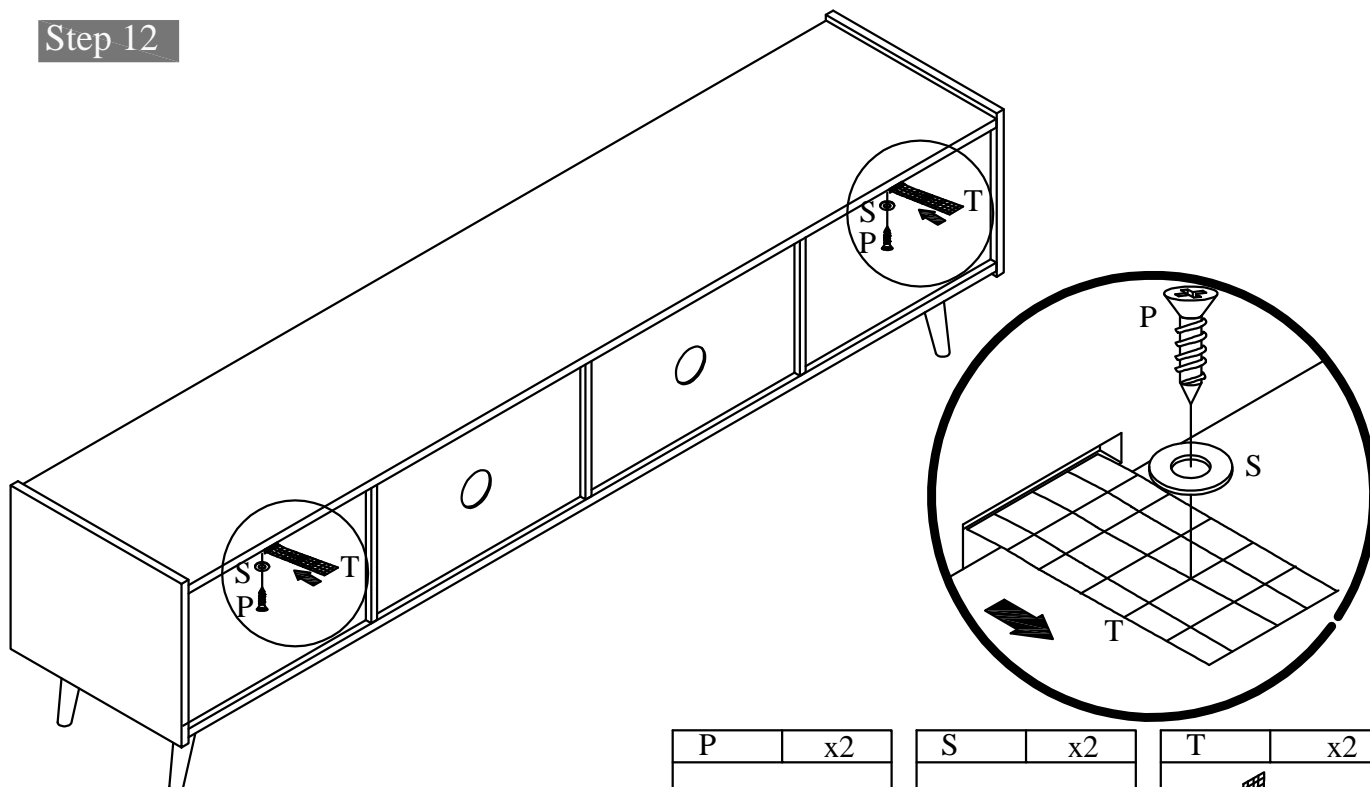
Step 11





F	x16
	
3.5x12mm	

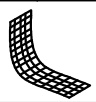
I	x16
	

Step 12



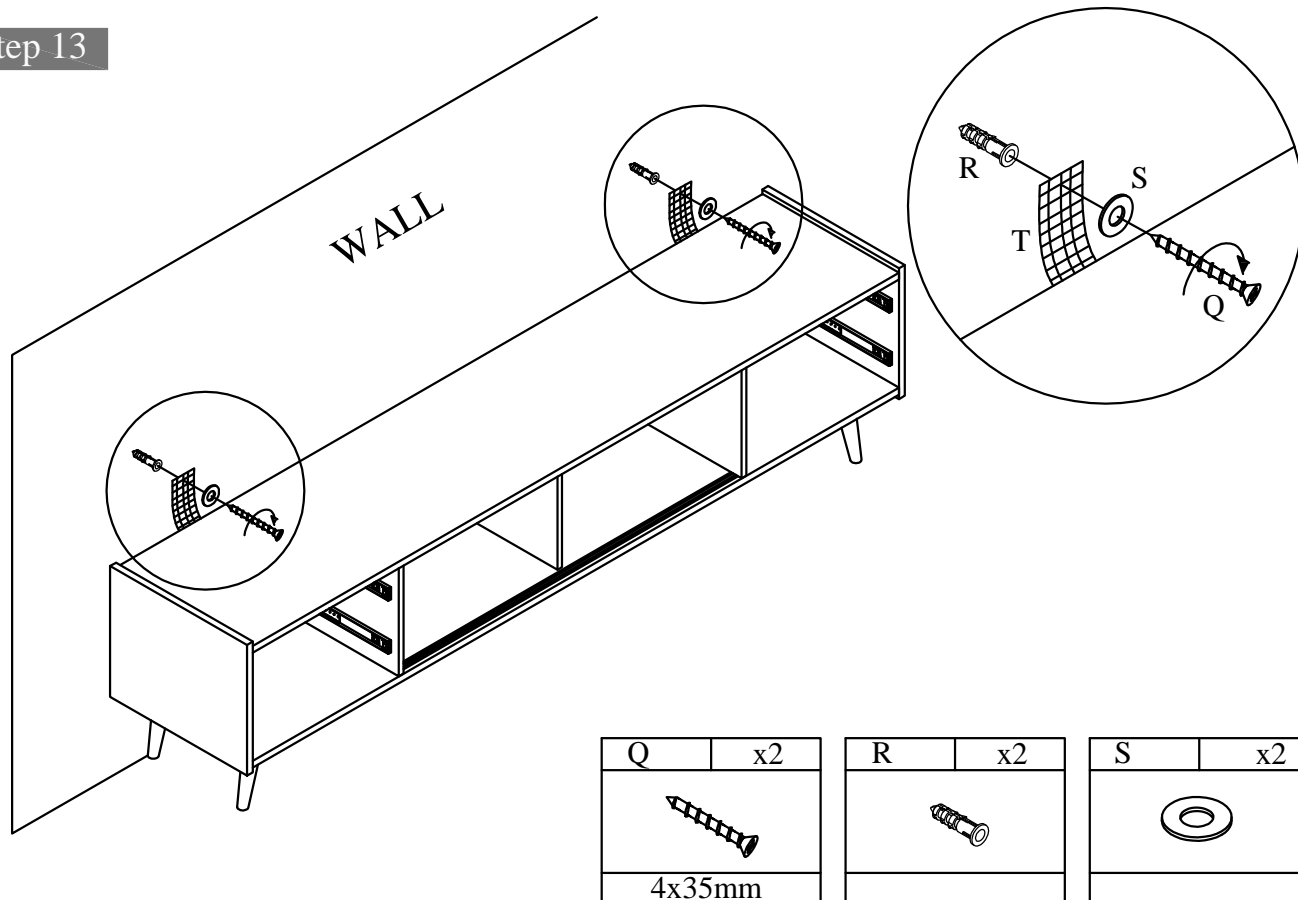
P	x2
	
3.5x14mm	

S	x2
	

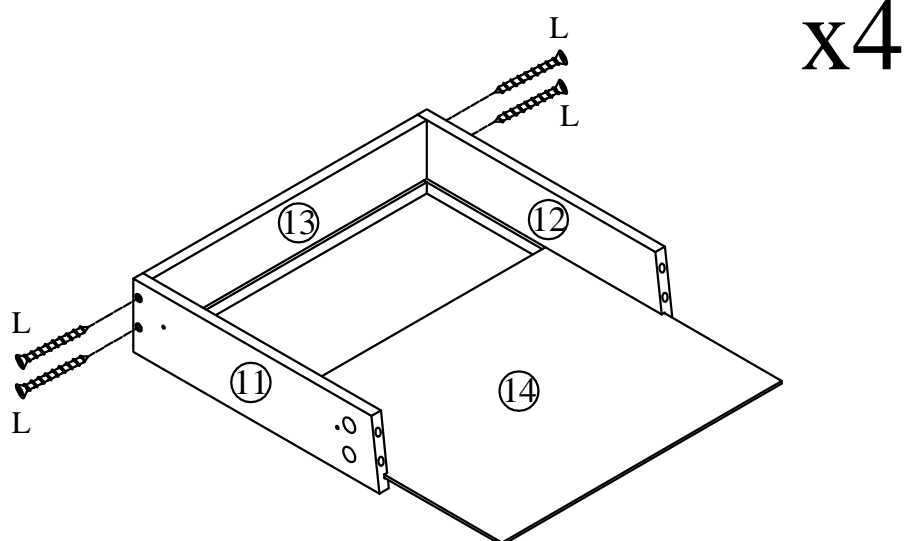
T	x2
	


Assembly Instructions

Step 13



Step 14

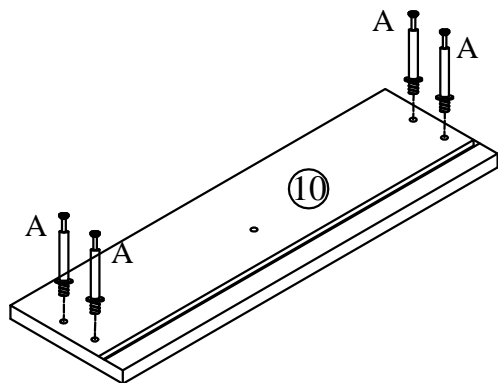


L	x16
	
4x30mm	

Assembly Instructions

Step 15

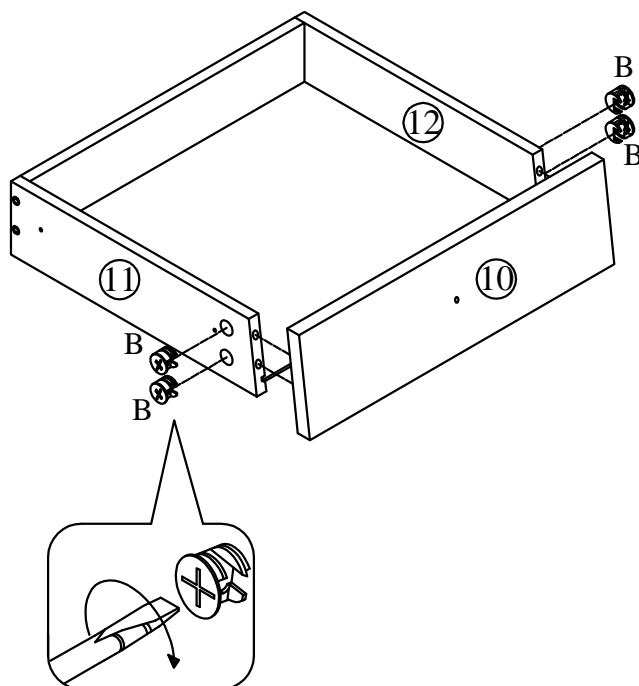
x4



A	x16
M6x35mm	

Step 16

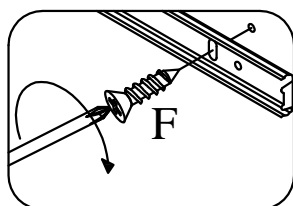
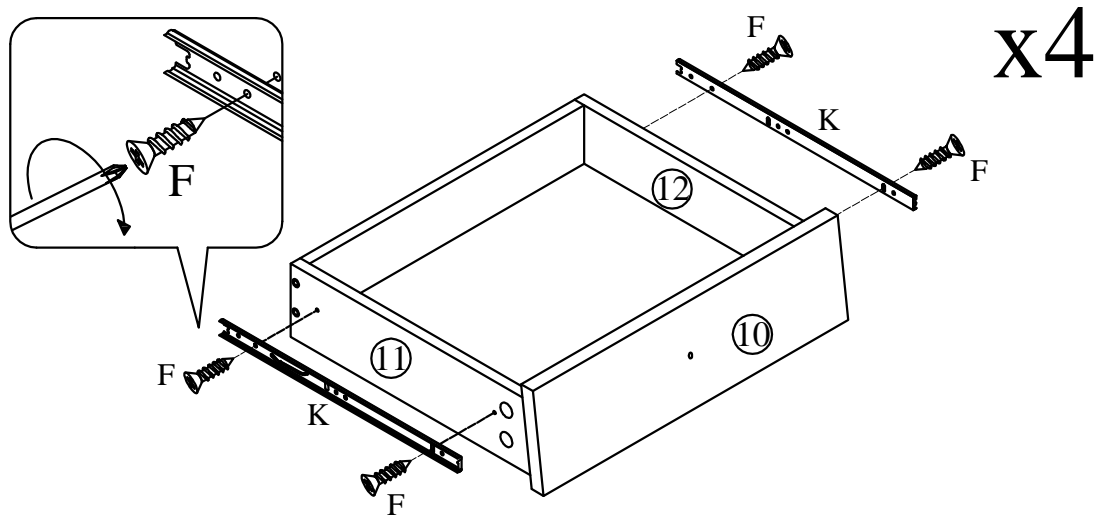
x4





B	x16
Ø15x10mm	

Assembly Instructions

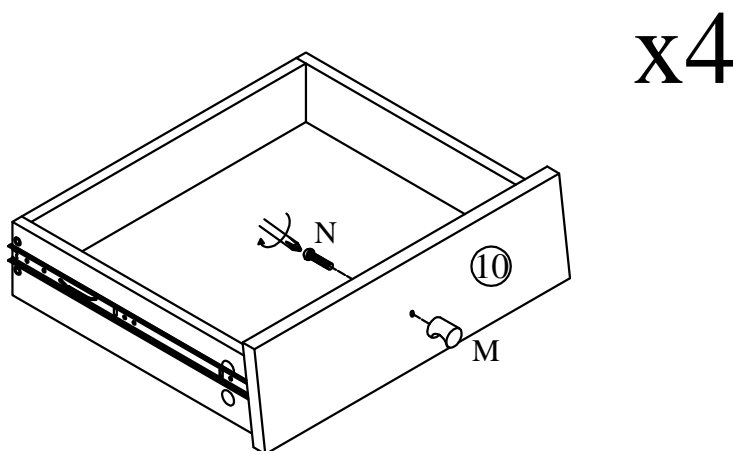
Step 17





F	x16
	
3.5x12mm	

K	x8
	
300mm	

Step 18

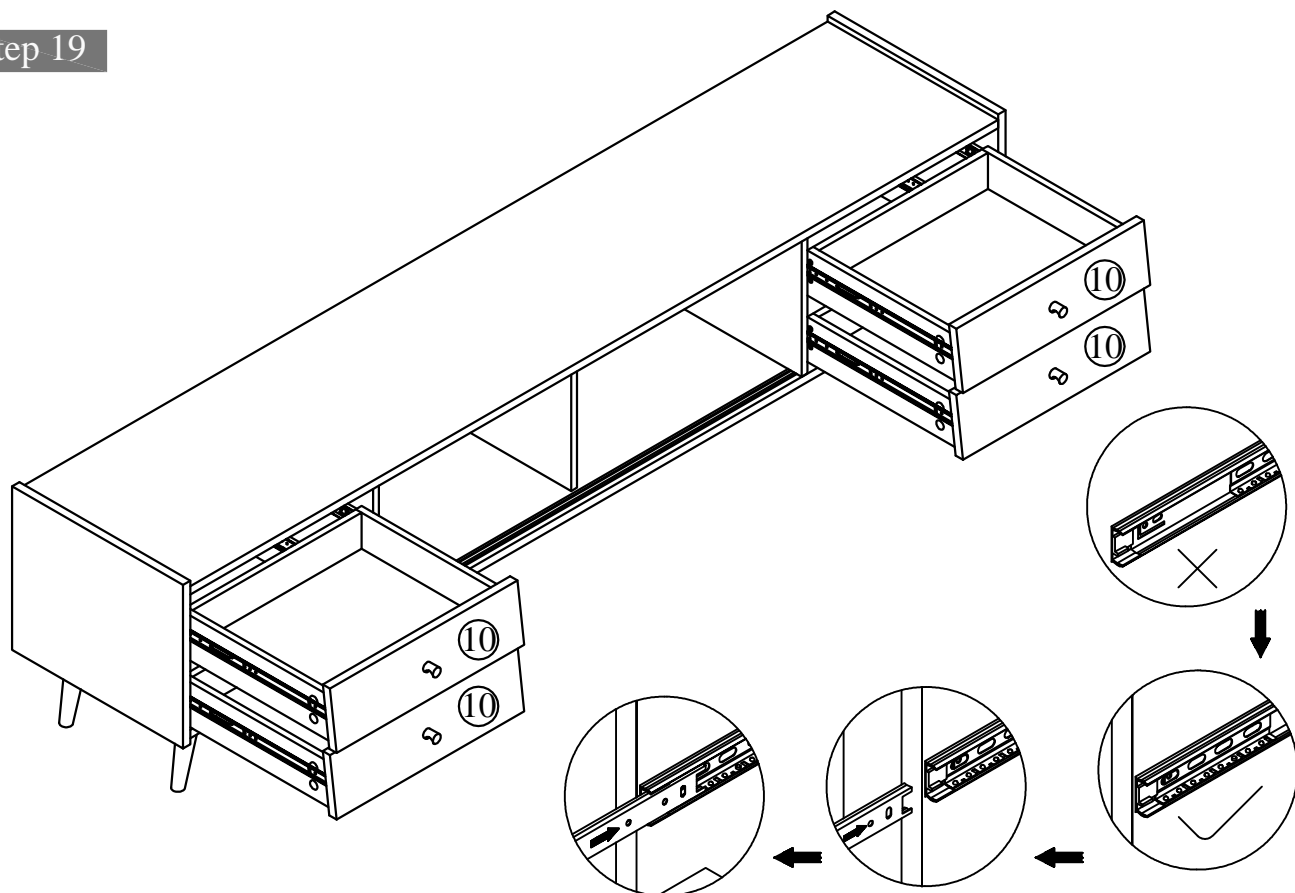


M	x4
	

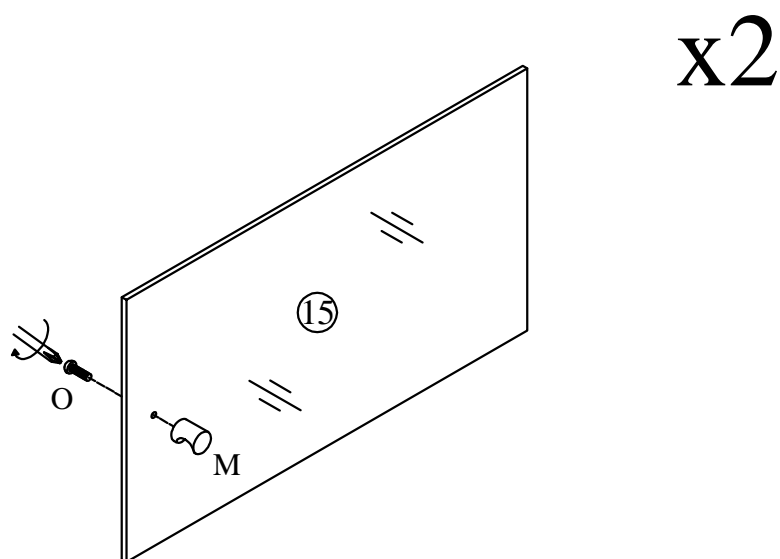
N	x4
	
4X15mm	



Assembly Instructions

Step 19



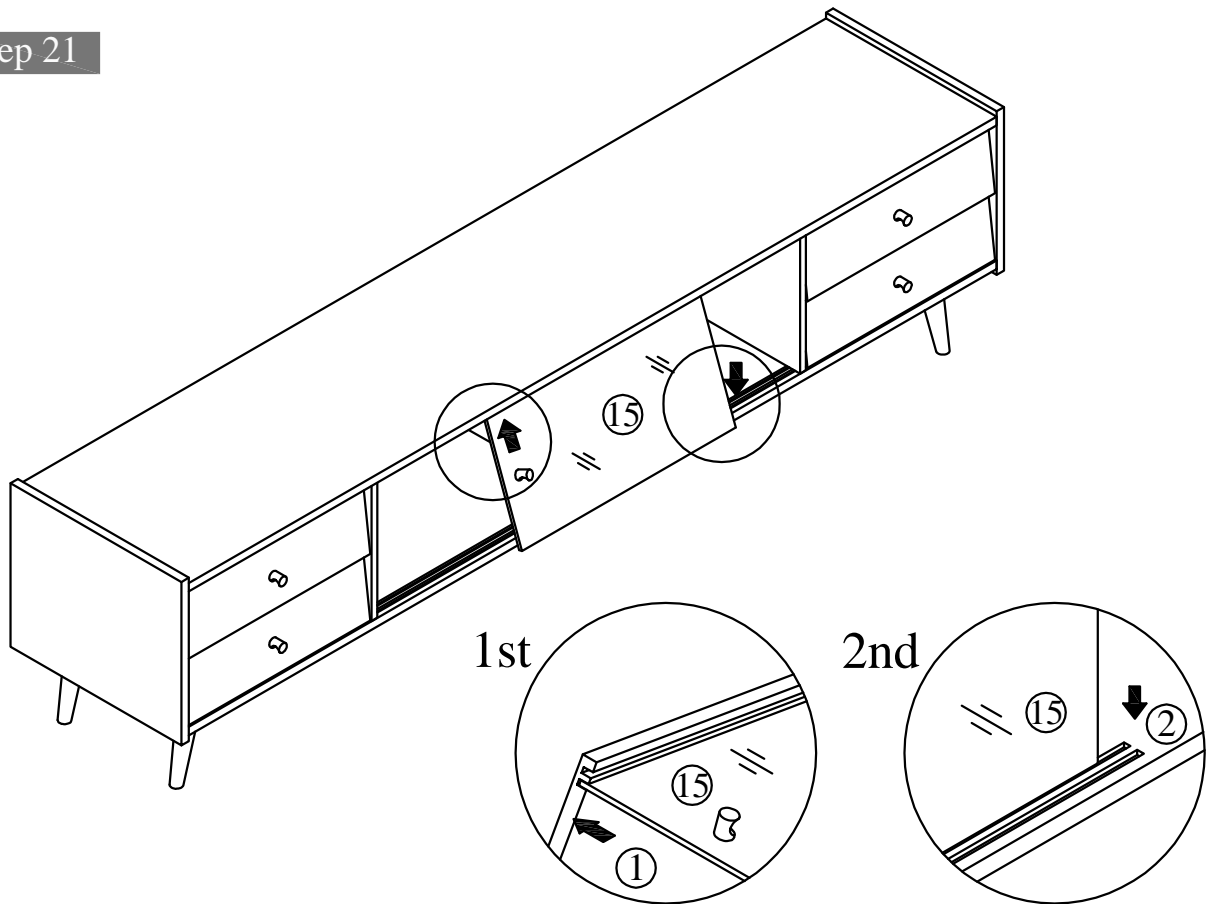
Step 20



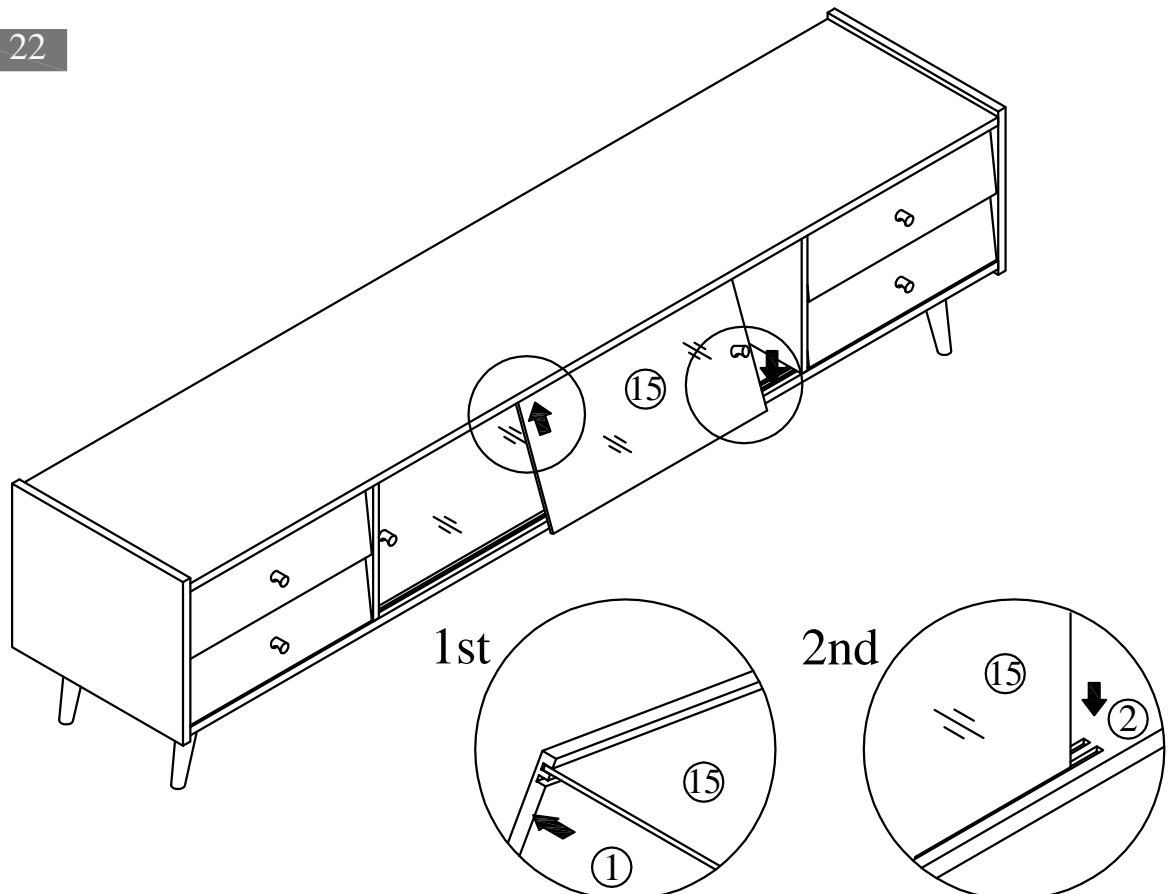
M	x2	O	x2
			
		4X8mm	

Assembly Instructions

Step 21



Step 22



Assembly Instructions

Step 23

