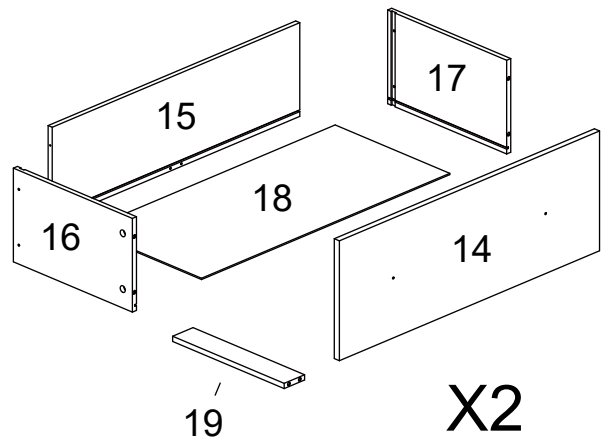
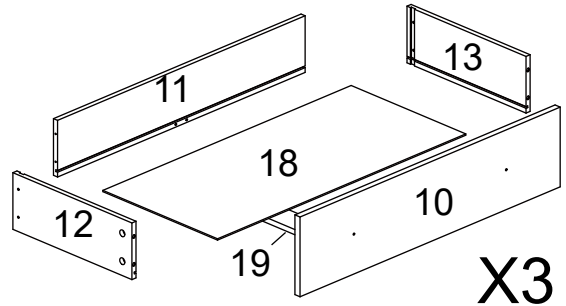
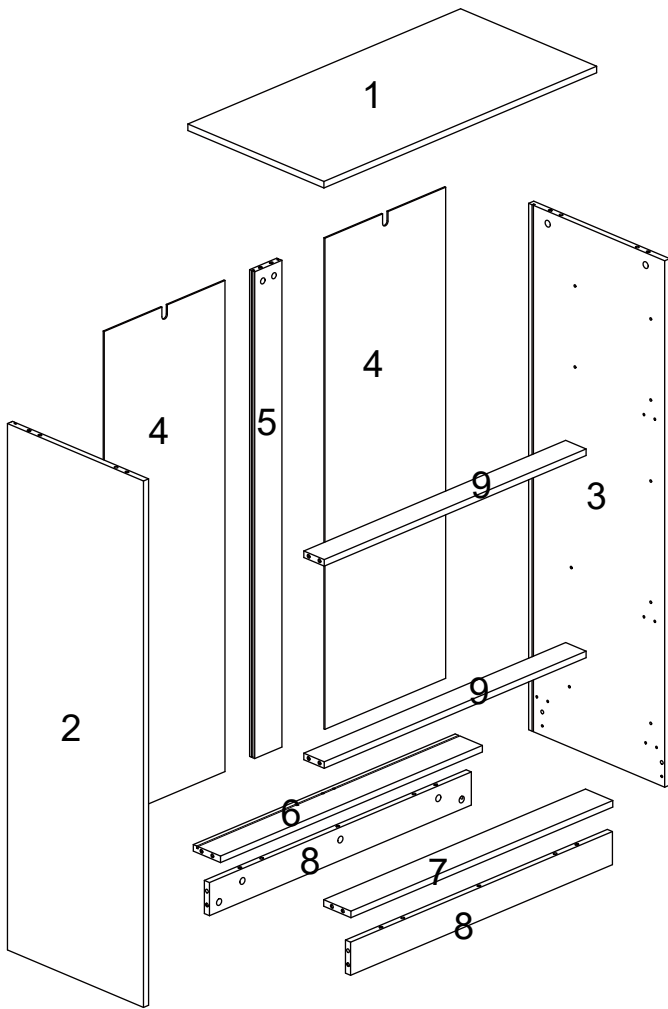






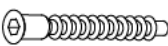
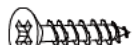




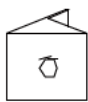


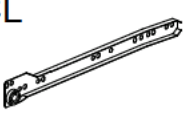
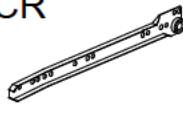
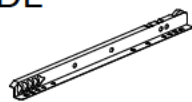
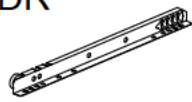


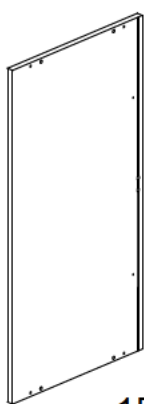
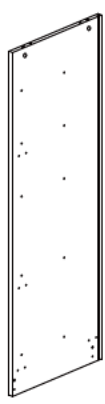
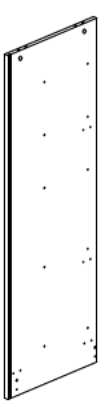
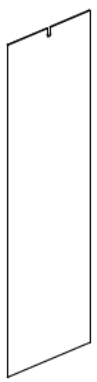





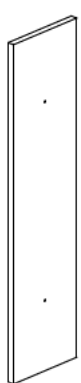
-
- Make sure to check packing material for small parts that may have fallen out during shipment.
 - Structures are not intended for public use. The Company does not warranty any of its residential structures subjected to commercial use such as: Daycare, Preschool, Nursery School, Recreational Park, or any similar Commercial Application.
 - This manual contains helpful information concerning assembly preparation, installation procedure and required maintenance.
 - Always keep safety in mind as your structure is being built.
 - Keep these instructions for future reference.



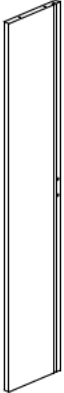
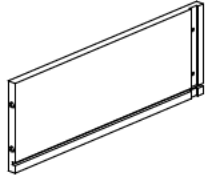
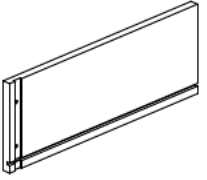
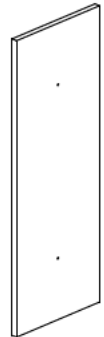
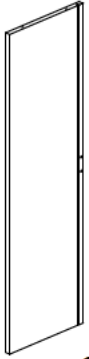
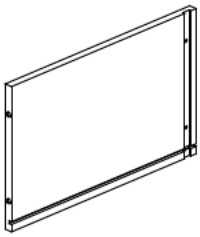
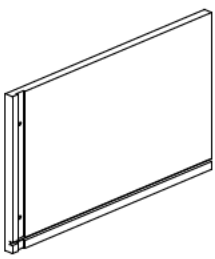
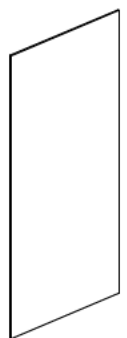

HARDWARE

| | | | | | |
|--|---|---|--|---|--|
| <p>A</p>  <p>62PCS</p> | <p>B</p>  <p>62PCS</p> | <p>C</p>  <p>12PCS</p> | <p>D</p>  <p>10PCS</p> | <p>E</p>  <p>4 x 20mm 10PCS</p> | <p>F</p>  <p>20PCS</p> |
| <p>G</p>  <p>7 x 40mm 2PCS</p> | <p>H</p>  <p>3 x 16mm 12PCS</p> | <p>I</p>  <p>4 x 12mm 2PCS</p> | <p>J</p>  <p>4 x 30mm 32PCS</p> | <p>K</p>  <p>2PCS</p> | <p>L</p>  <p>2PCS</p> |
| <p>M</p>  <p>12PCS</p> | <p>N</p>  <p>1PC</p> | <p>O</p>  <p>3 x 12mm 20PCS</p> | | | |
| <p>CL</p>  <p>5PCS</p> | <p>CR</p>  <p>5PCS</p> | <p>DL</p>  <p>5PCS</p> | <p>DR</p>  <p>5PCS</p> | | |

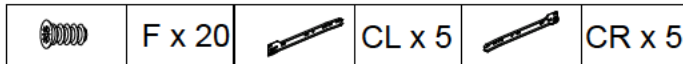
PARTS

| | | | | |
|--|--|---|---|--|
| <p>1</p>  <p>1PC</p> | <p>2</p>  <p>1PC</p> | <p>3</p>  <p>1PC</p> | <p>4</p>  <p>2PCS</p> | <p>5</p>  <p>1PC</p> |
| <p>6</p>  <p>1PC</p> | <p>7</p>  <p>1PC</p> | <p>8</p>  <p>2PCS</p> | <p>9</p>  <p>2PCS</p> | <p>10</p>  <p>3PCS</p> |

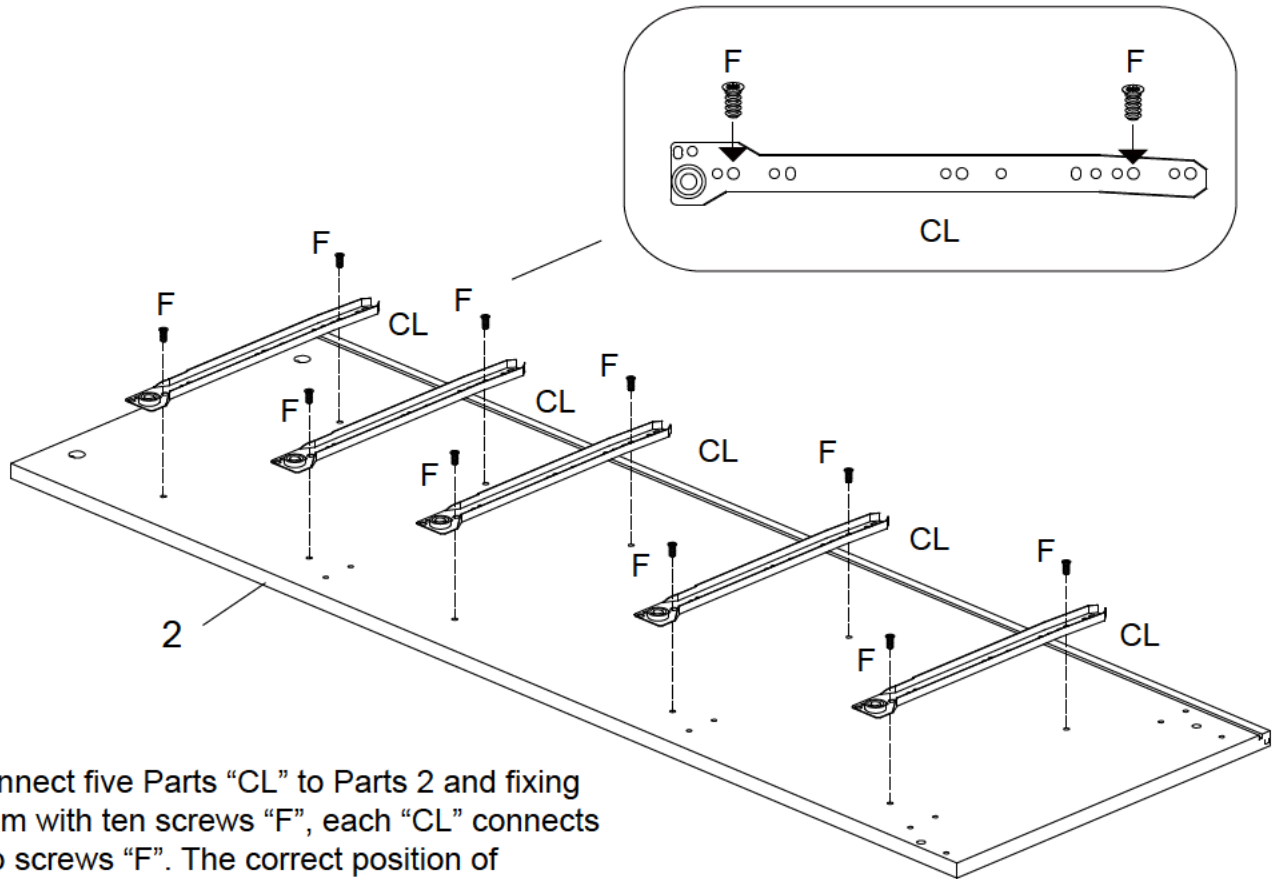
PARTS

| | | | | |
|---|---|--|--|---|
| <p>11</p>  <p>3PCS</p> | <p>12</p>  <p>3PCS</p> | <p>13</p>  <p>3PCS</p> | <p>14</p>  <p>2PCS</p> | <p>15</p>  <p>2PCS</p> |
| <p>16</p>  <p>2PCS</p> | <p>17</p>  <p>2PCS</p> | <p>18</p>  <p>5PCS</p> | <p>19</p>  <p>5PCS</p> | |

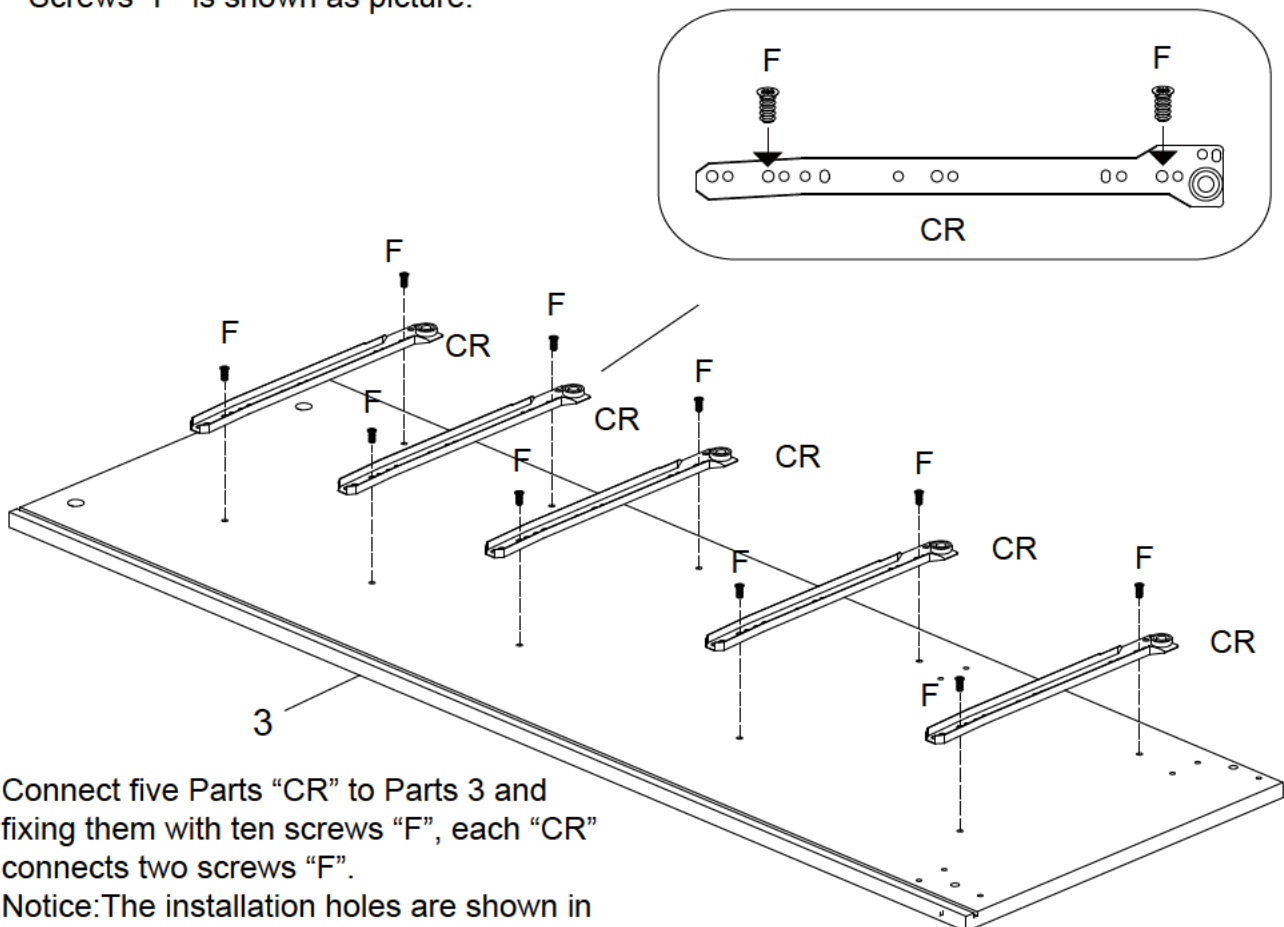
STEP 1



Please install the screws into the correct holes based on the instructions.

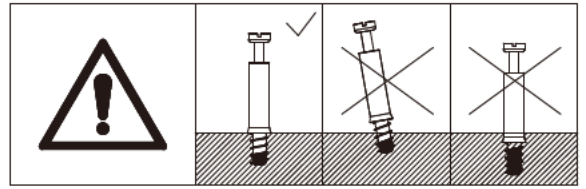
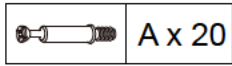


Connect five Parts "CL" to Parts 2 and fixing them with ten screws "F", each "CL" connects two screws "F". The correct position of Screws "F" is shown as picture.

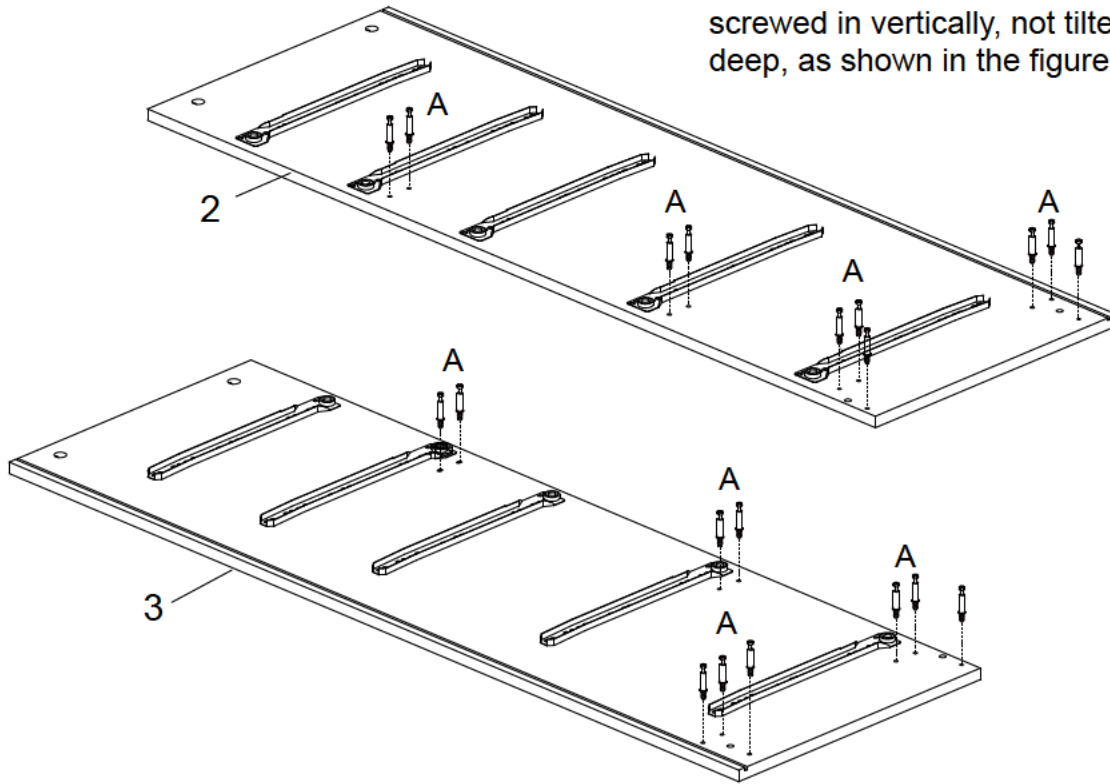


Connect five Parts "CR" to Parts 3 and fixing them with ten screws "F", each "CR" connects two screws "F".
Notice: The installation holes are shown in the figure.

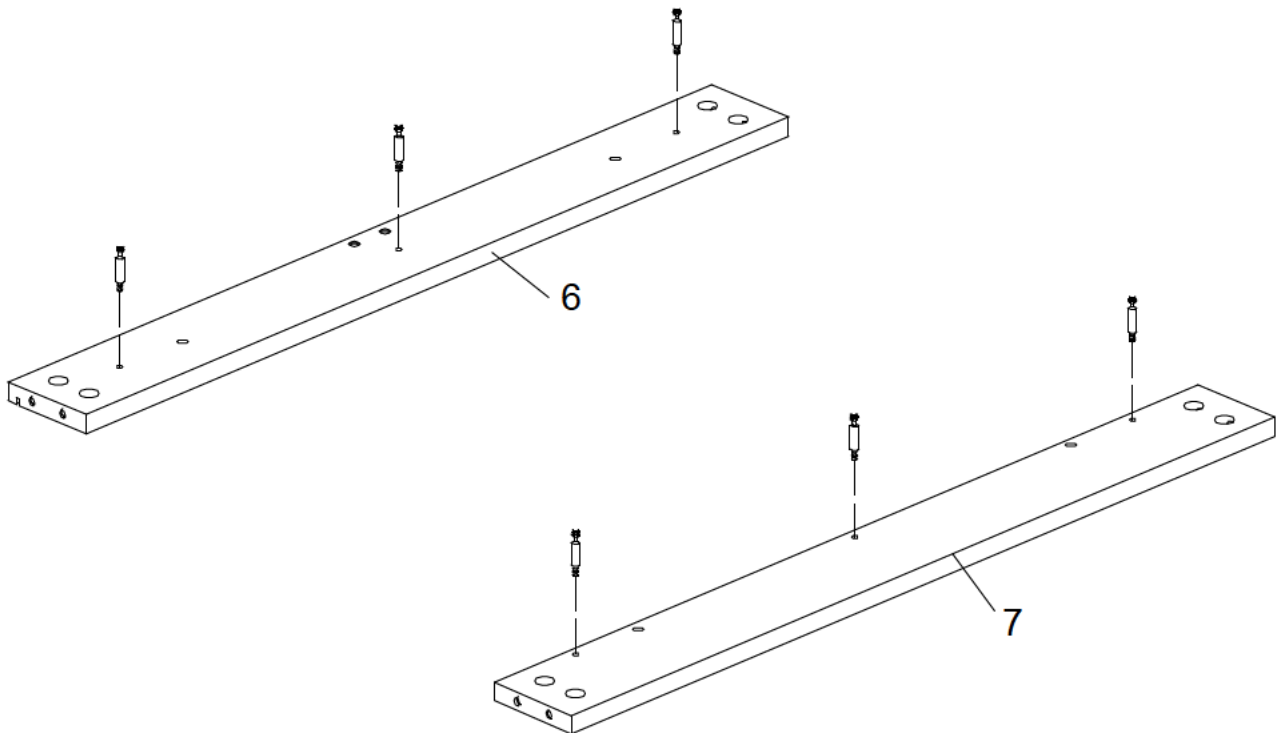
STEP 2



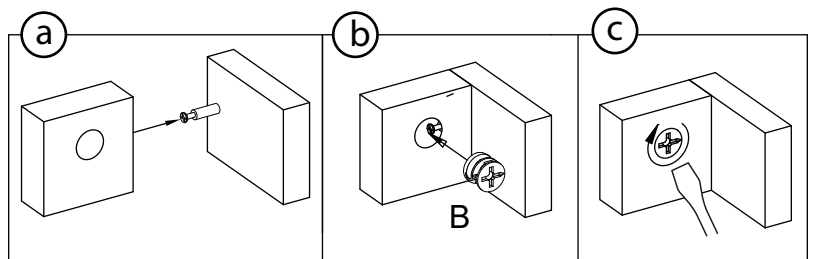
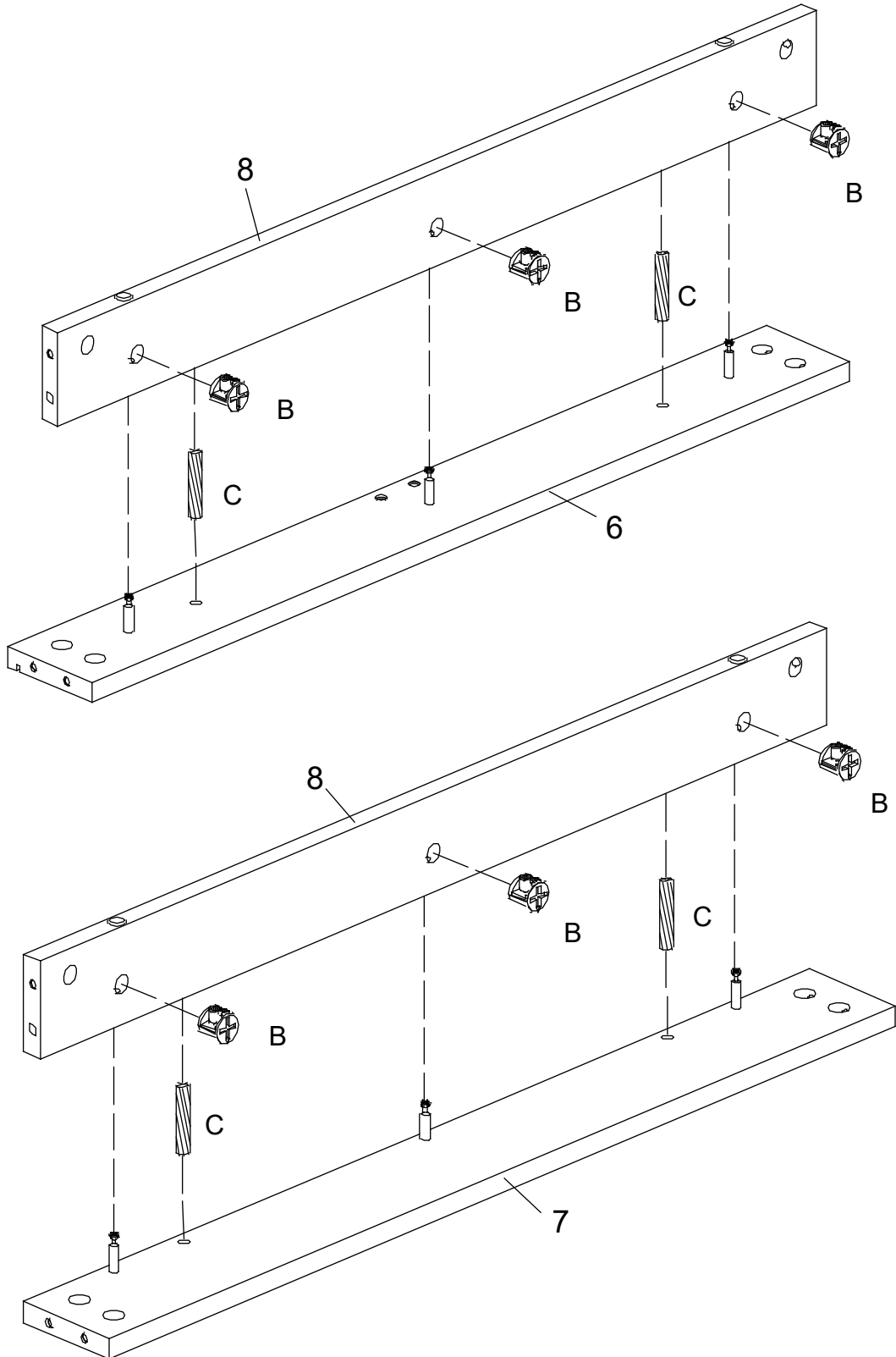
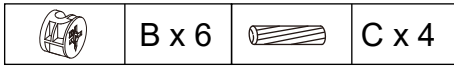
Note that the screw "A" needs to be screwed in vertically, not tilted and not too deep, as shown in the figure.





STEP 3

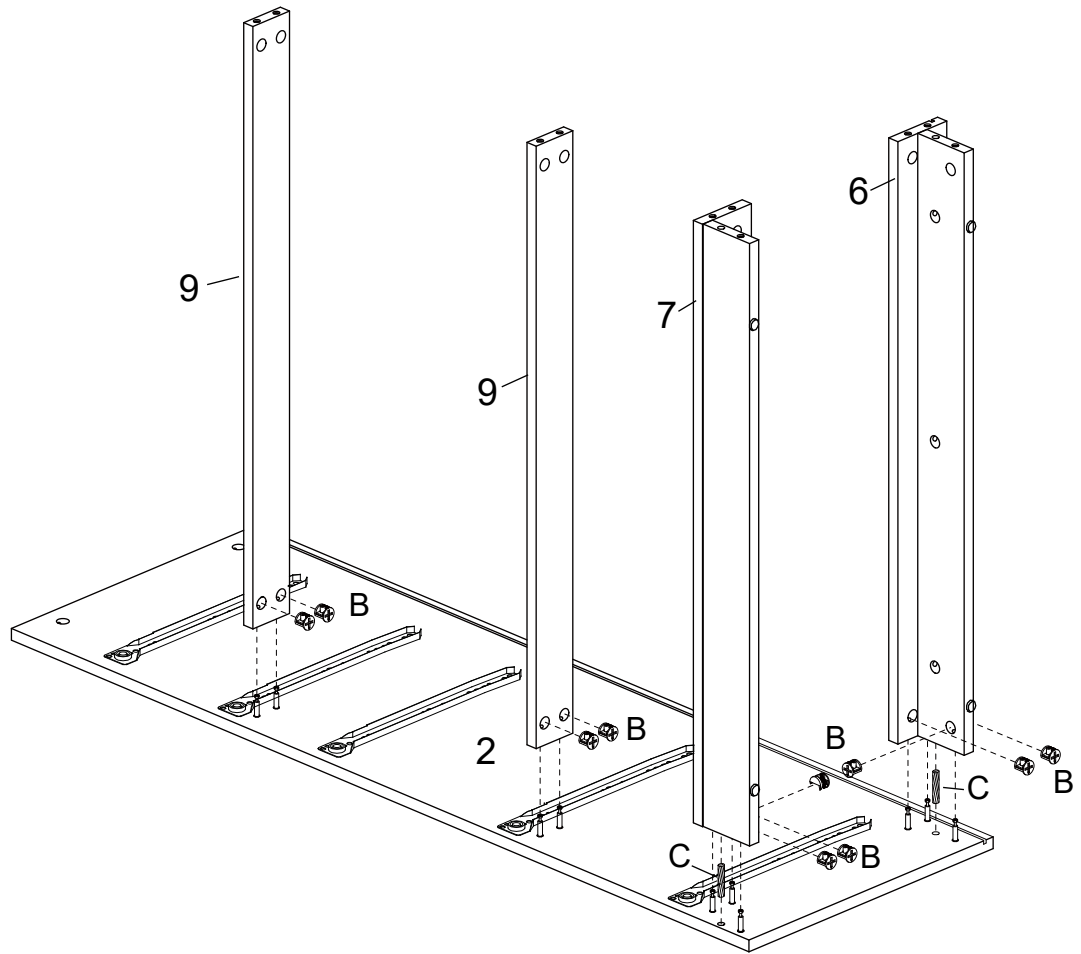


STEP 4





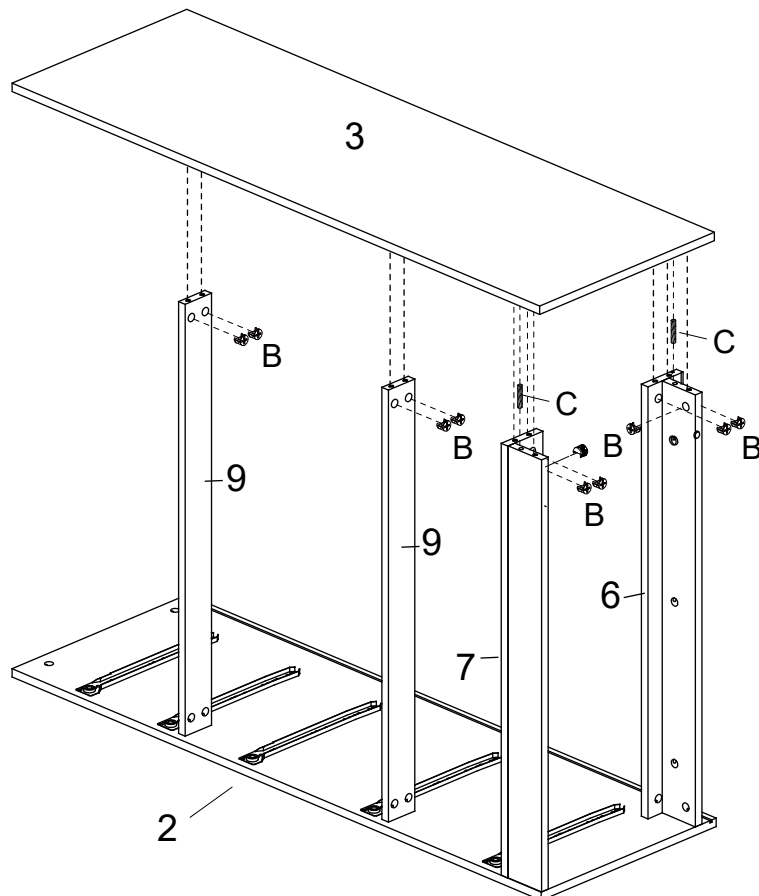
STEP 5

| | | | |
|--|--------|--|-------|
|  | B x 10 |  | C x 2 |
|--|--------|--|-------|



STEP 6

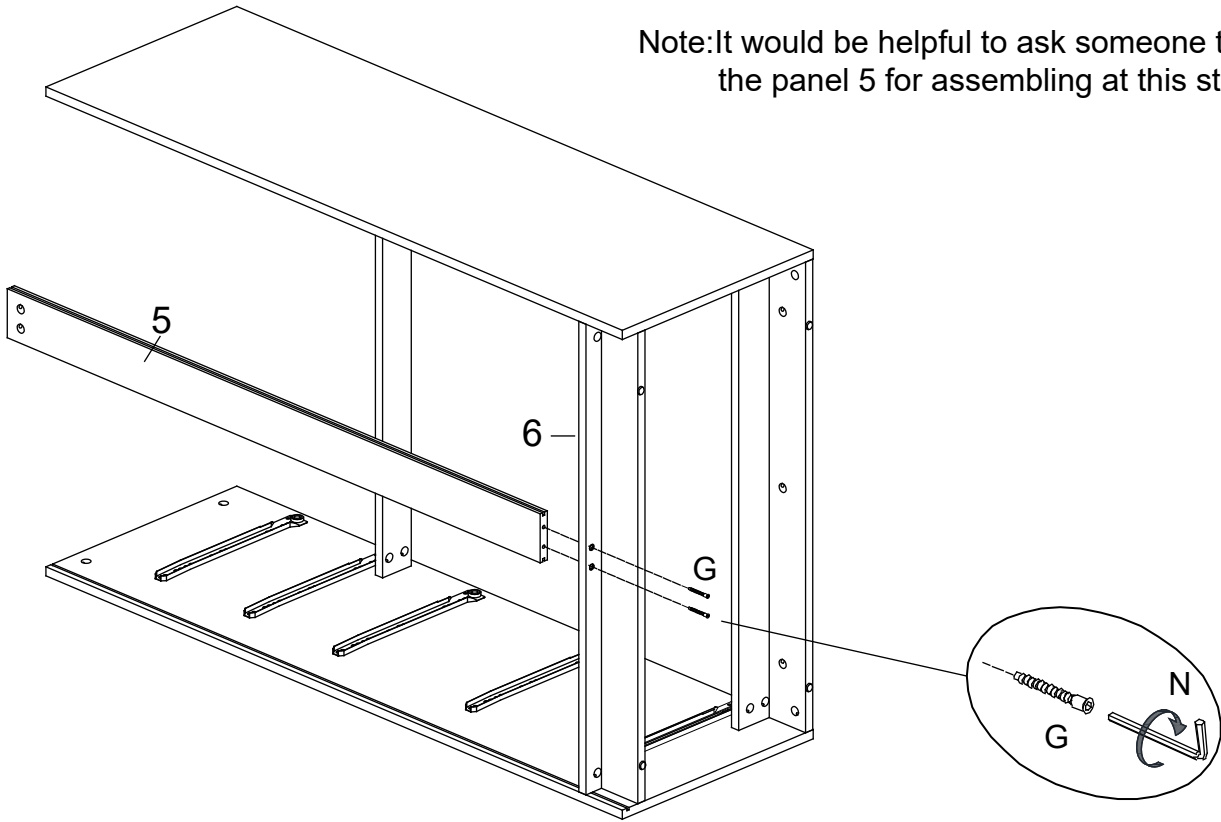
| | | | |
|---|--------|---|-------|
|  | B x 10 |  | C x 2 |
|---|--------|---|-------|



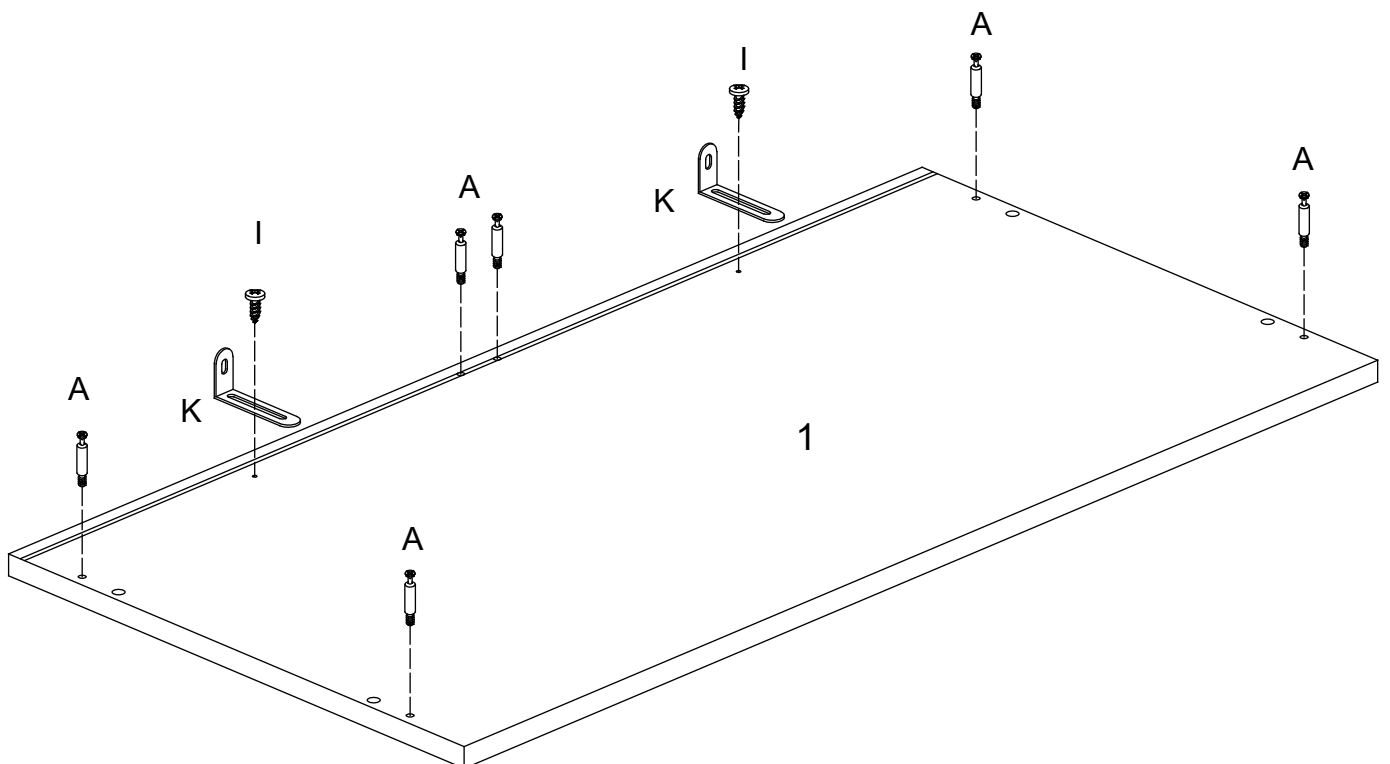
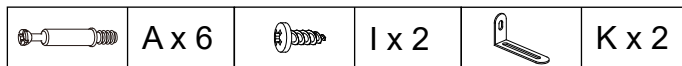
STEP 7



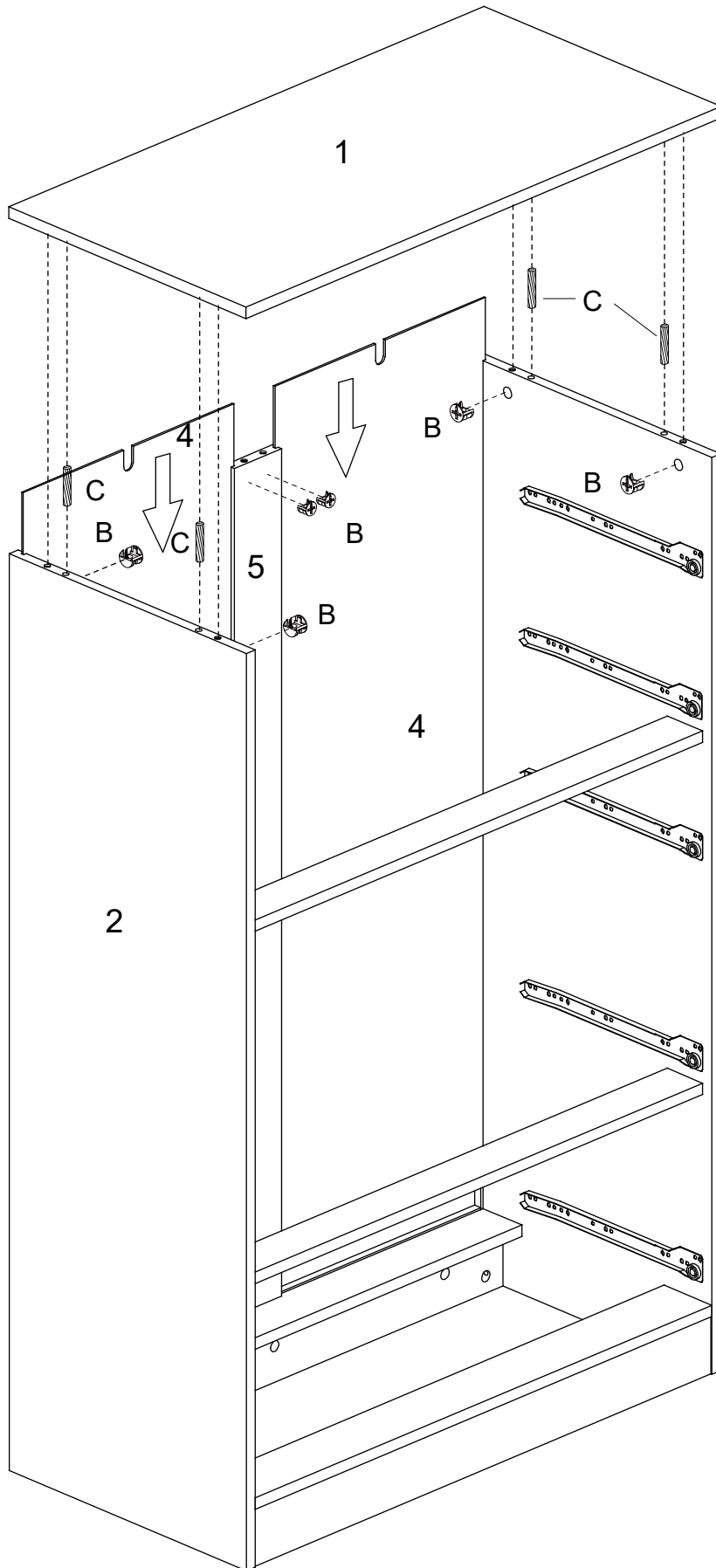
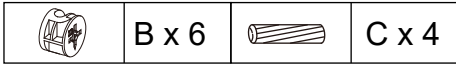
Note: It would be helpful to ask someone to hold the panel 5 for assembling at this stage.



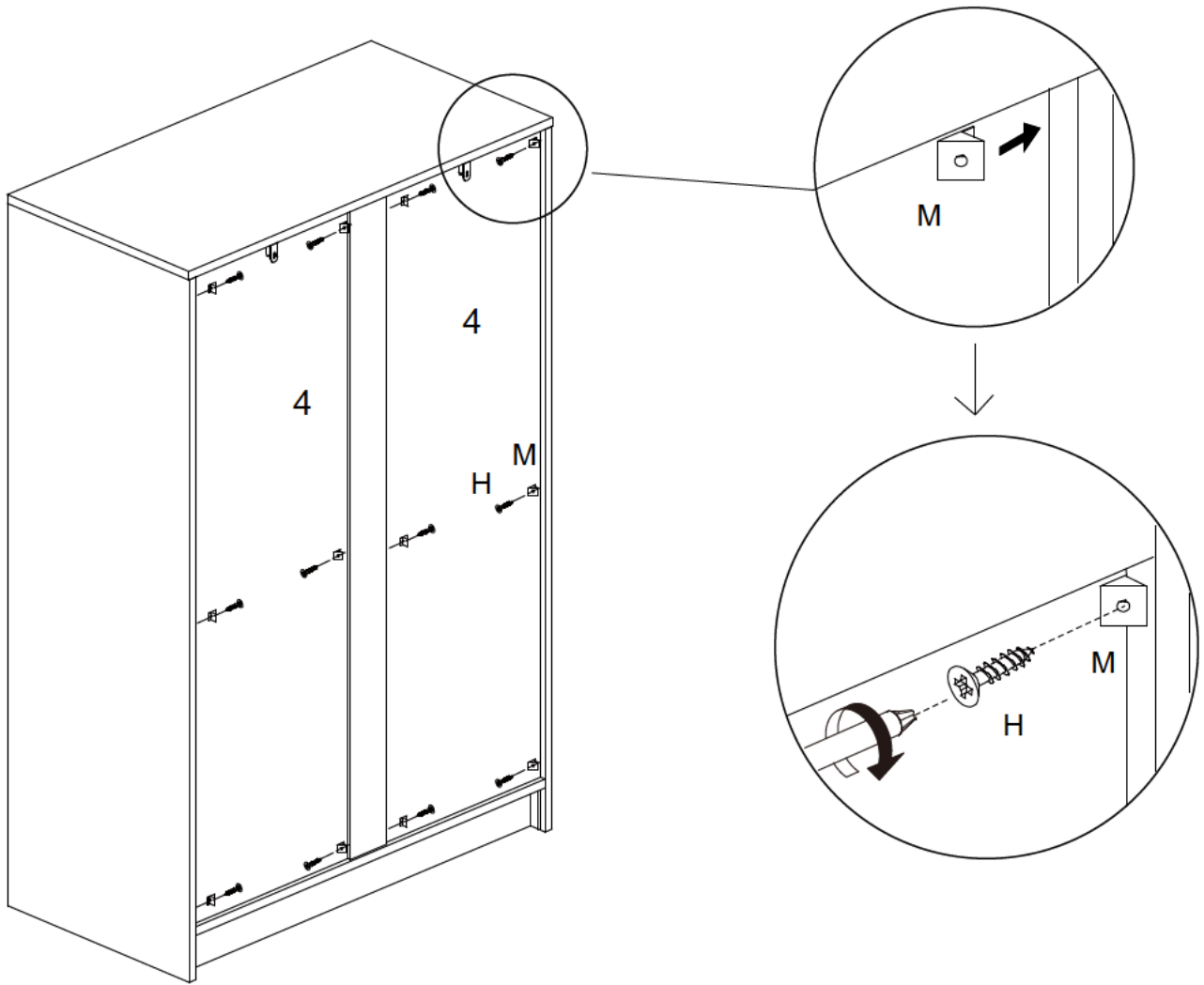
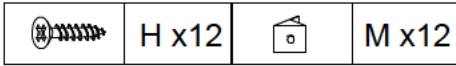
STEP 8



STEP 9



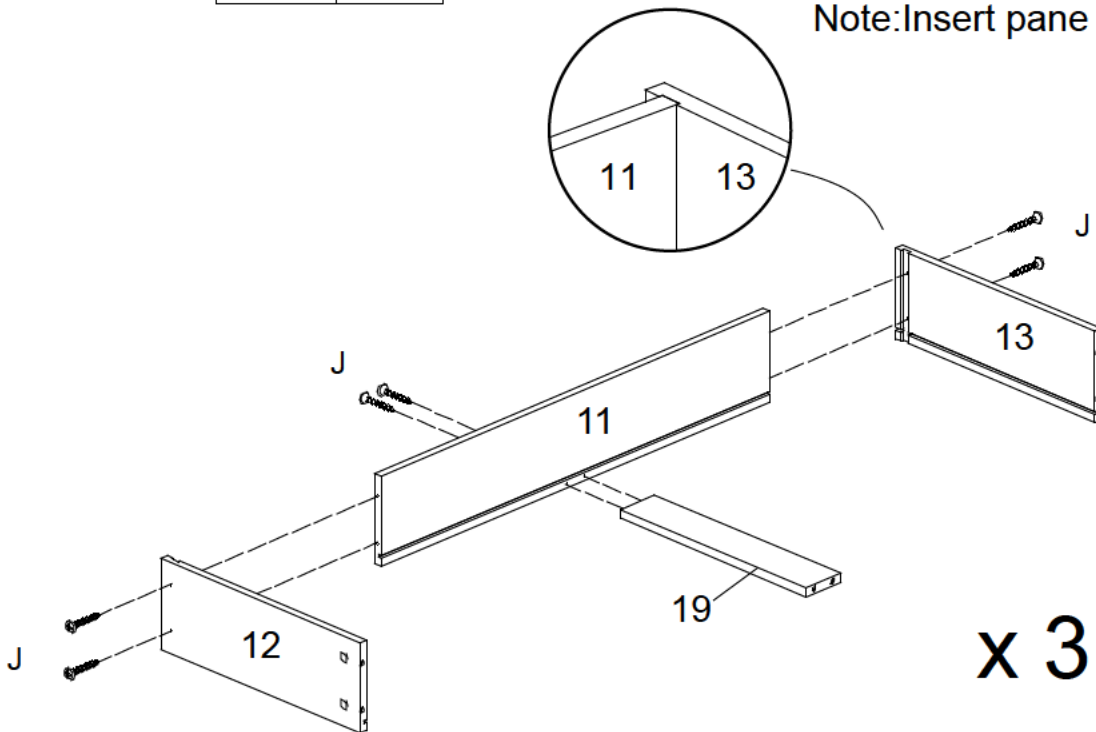
STEP 10



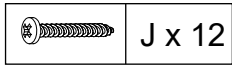
STEP 11



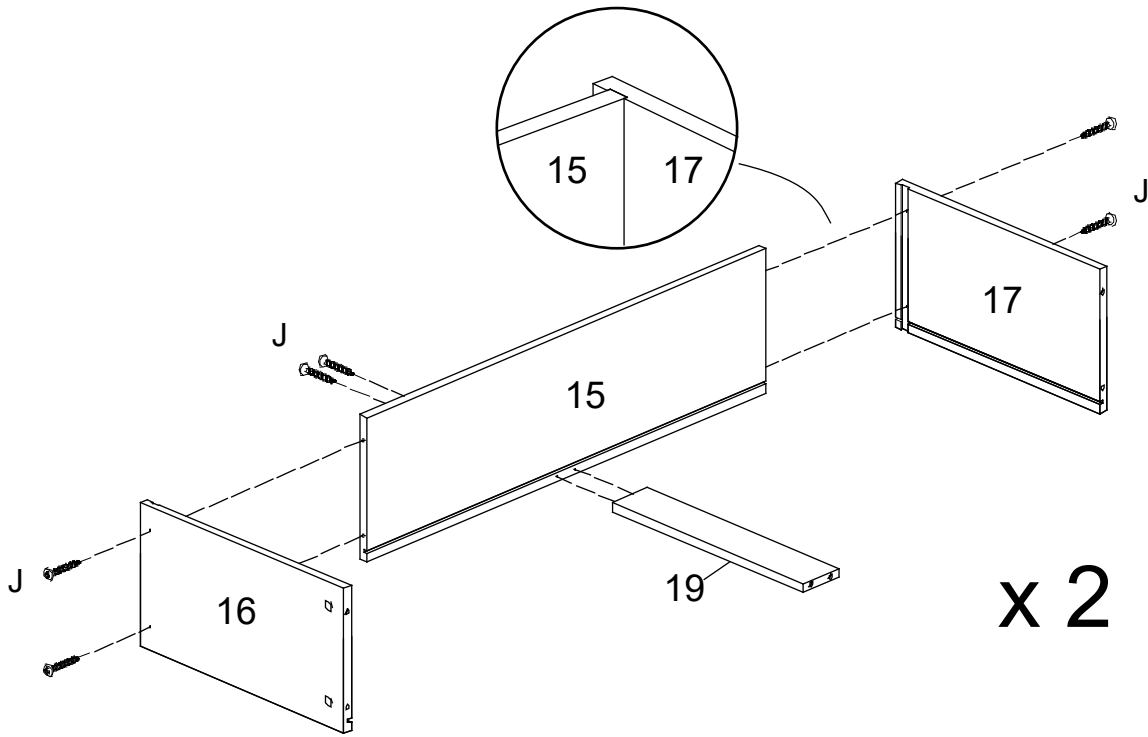
Note: Insert pane 11 to panel 13.



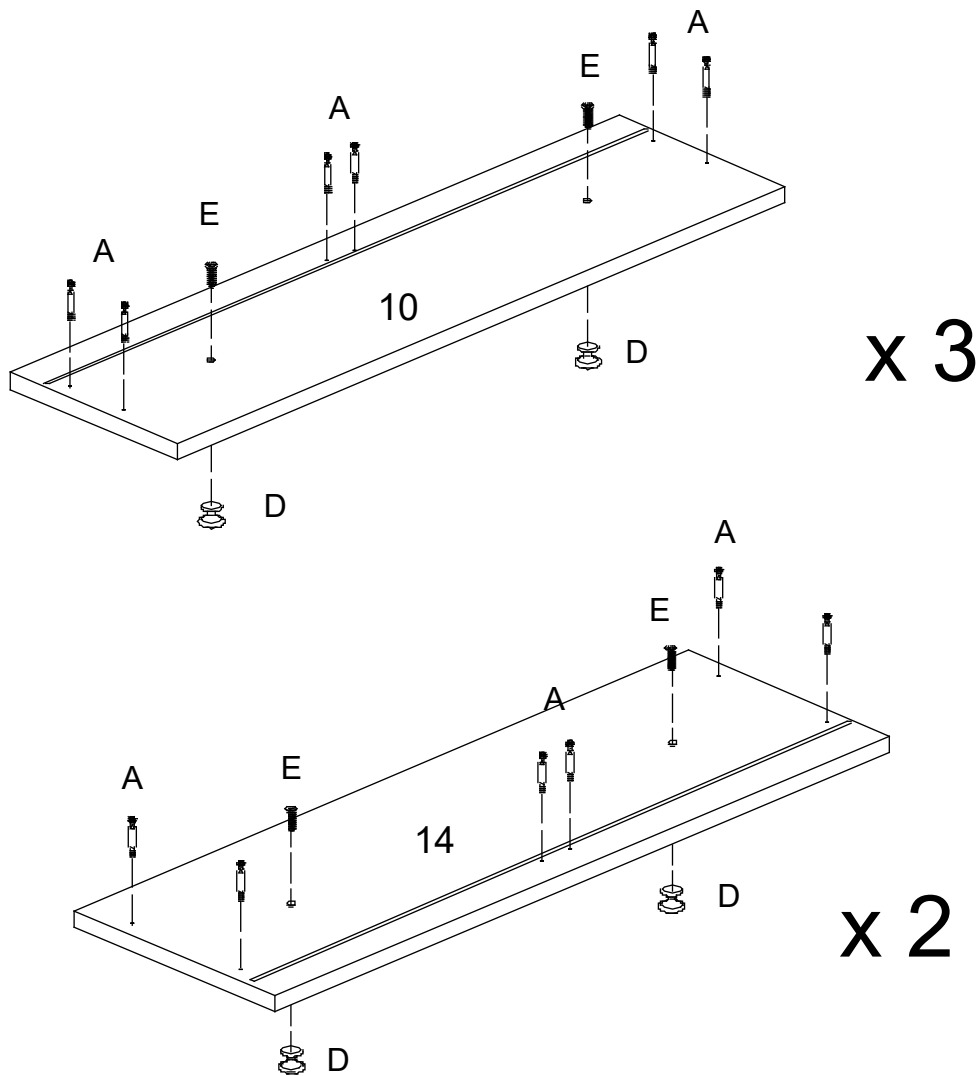
STEP 12



Note: Insert pane 15 to panel 17.



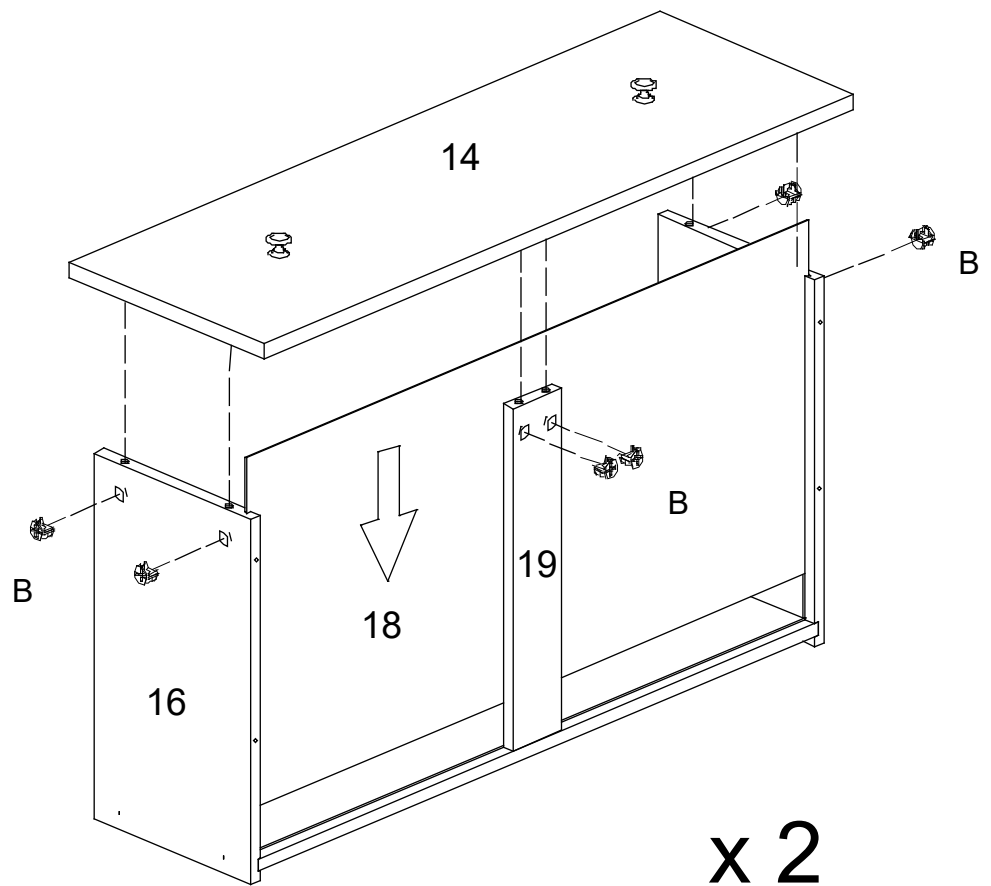
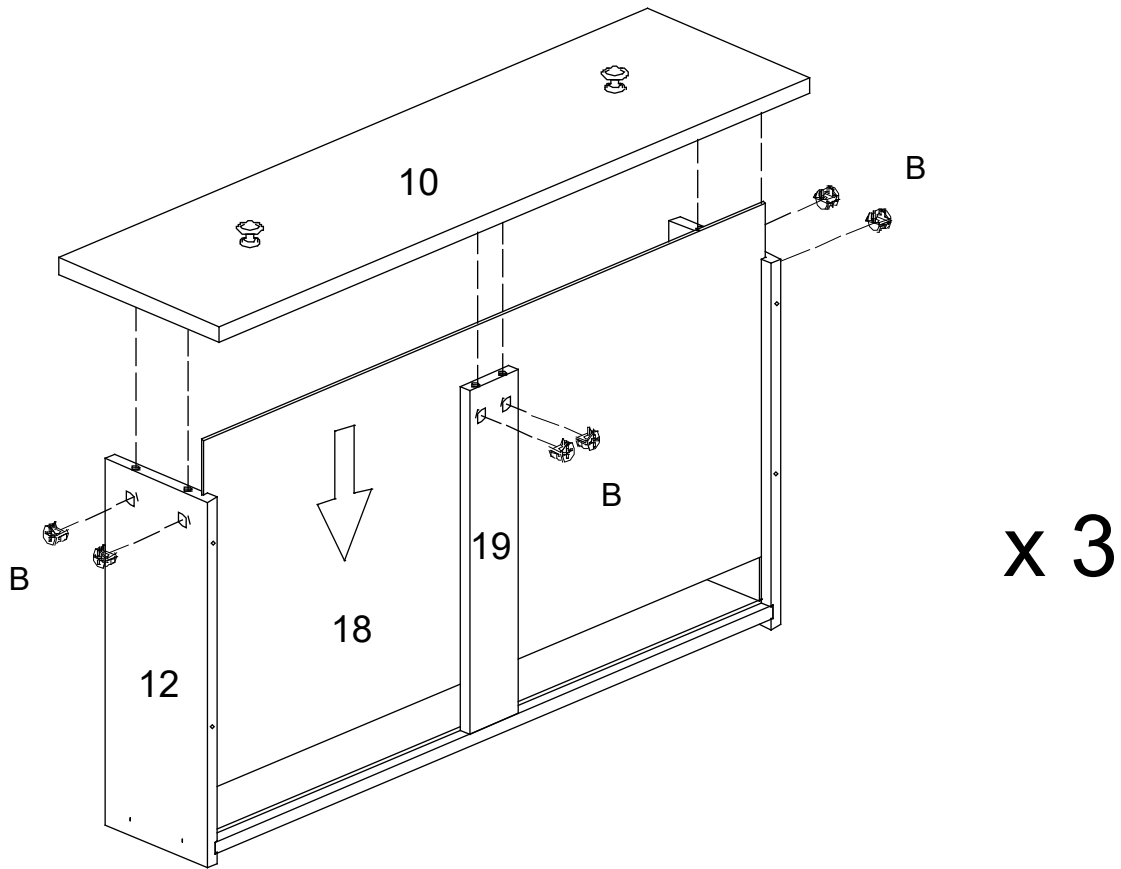
STEP 13



STEP 14

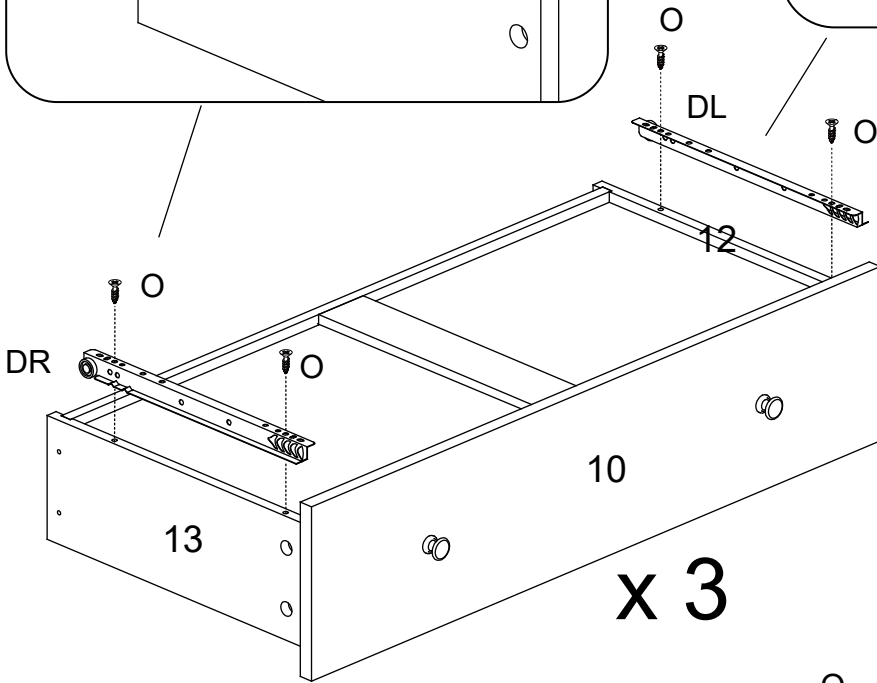
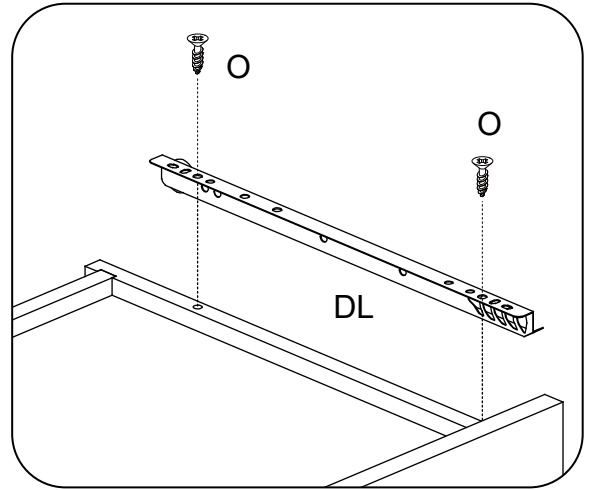
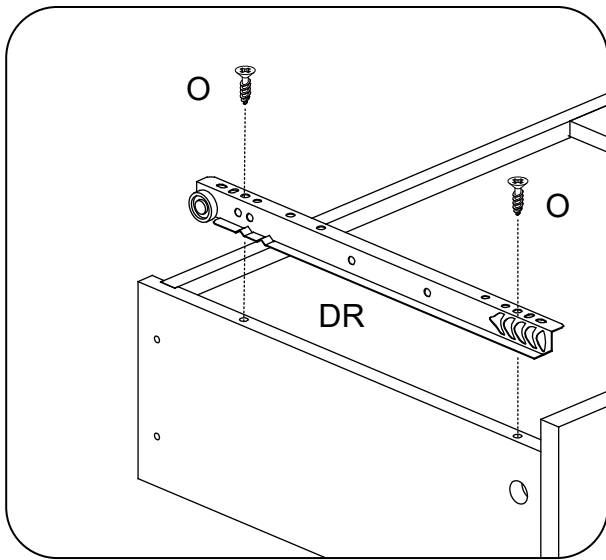


B x 30



STEP 15

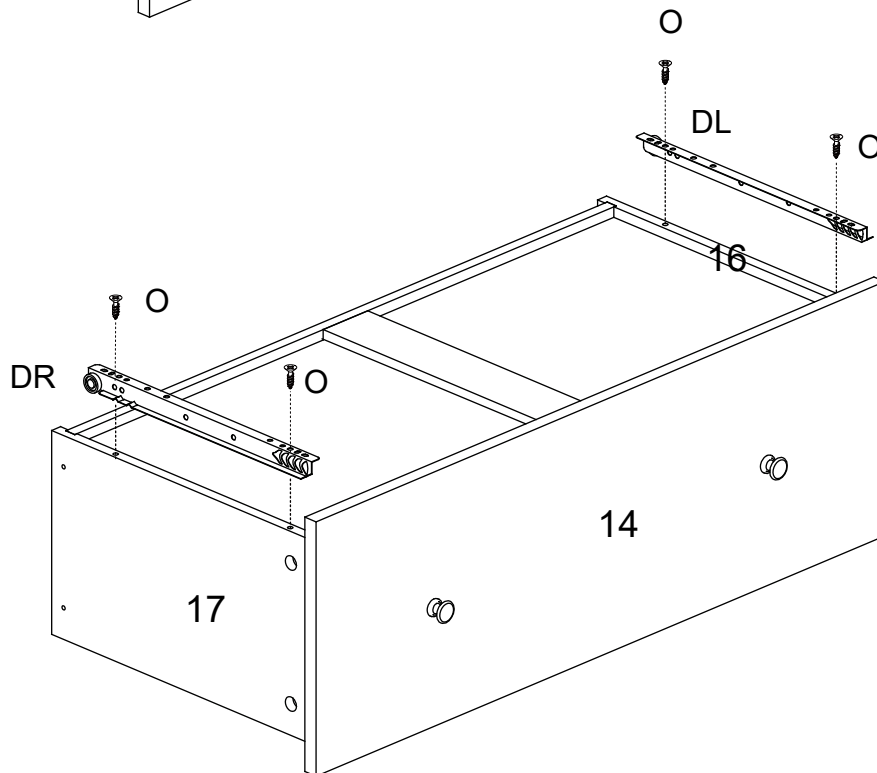
| | | | | | |
|---|--------|---|--------|---|--------|
|  | O x 20 |  | DL x 5 |  | DR x 5 |
|---|--------|---|--------|---|--------|



1. Connect Parts "DR" to Parts 13 and Parts "DL" to Parts 12, fixing them with four screws "O", make three of the same.

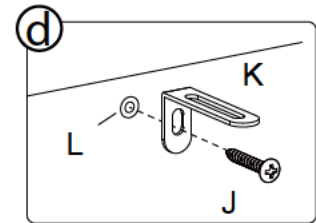
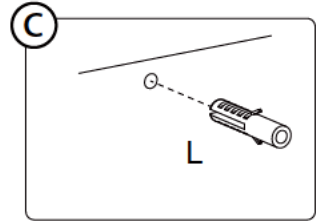
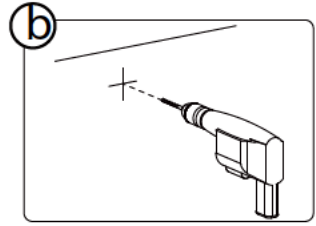
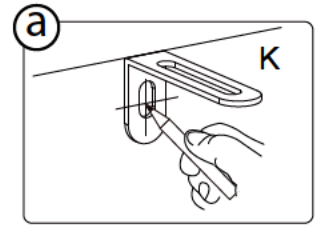
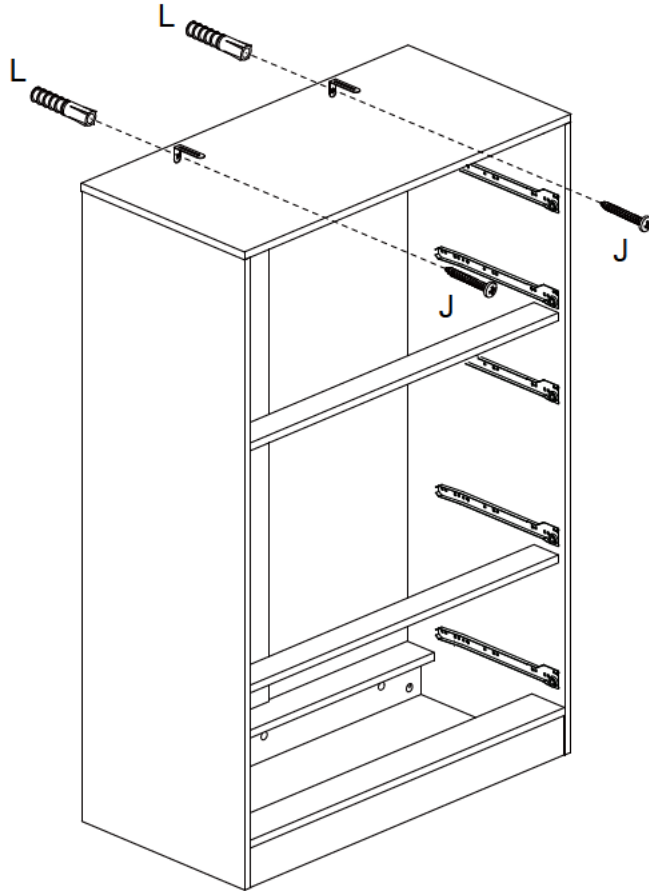
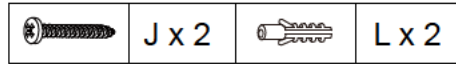
2. Connect Parts "DR" to Parts 17 and Parts "DL" to Parts 16, fixing them with four screws "O", make two of the same.

Notice: The installation holes are shown in the figure.

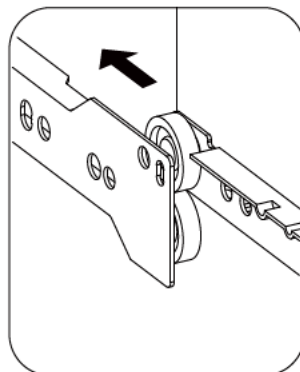
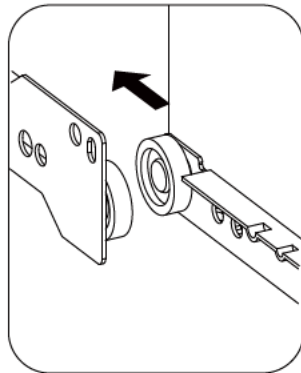


x 2

STEP 16



STEP 17



Warning:

Please make sure the unit secured to the wall before use.