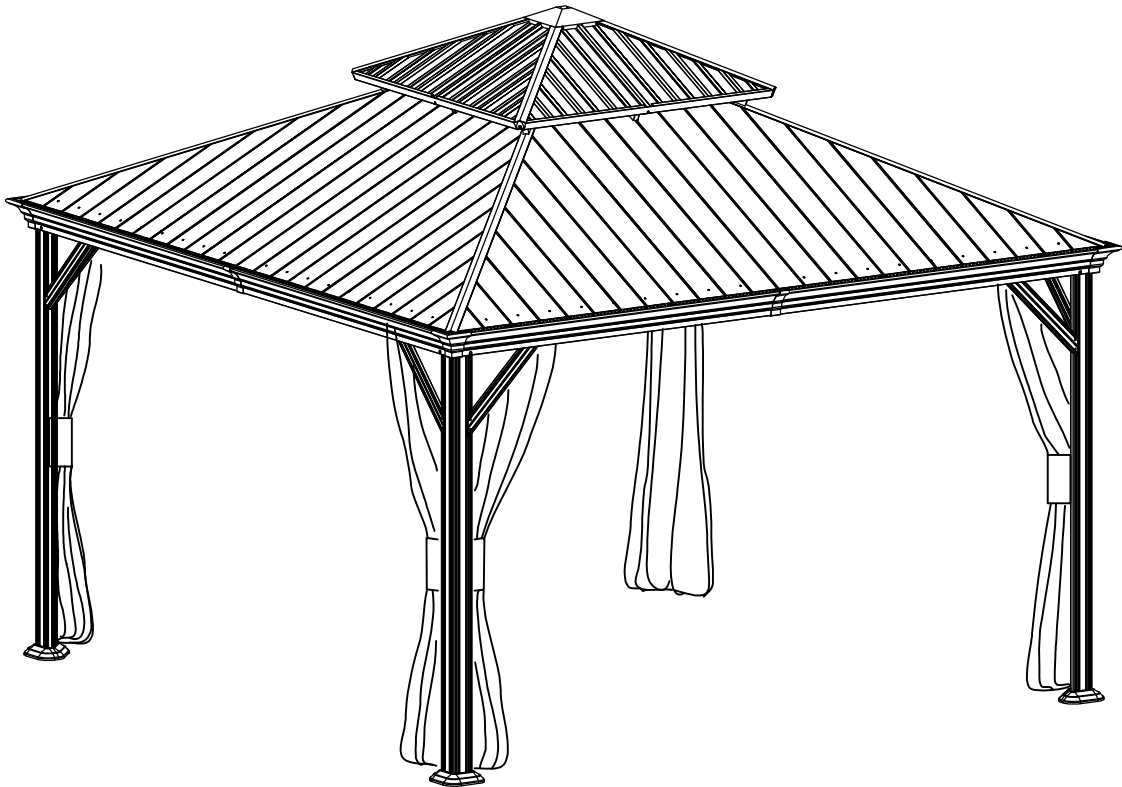




12'x12'Metal Patio Gazebo with Resin Roof **ASSEMBLY MANUAL**



MODEL#: LGMZ1717

Missing part? Damaged? Contact us via email at

service@domioutdoorliving.com

www.domioutdoorliving.com

Pre-assembly



1. Two or more people are required for assembly.



2. You will need one or more stepladders.



3. Wearing protective gloves is recommended.



4. You may need a safety hat.



5. Please use a Phillips screw driver.



6. For ease of construction, you may need a drill.



7. You may need a safety goggle.



8. Do not fully tighten screws prior to complete assembly.

Warning & Attention

-Try to assemble this product on the flat ground, otherwise it is difficult to carry out;

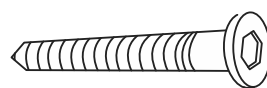
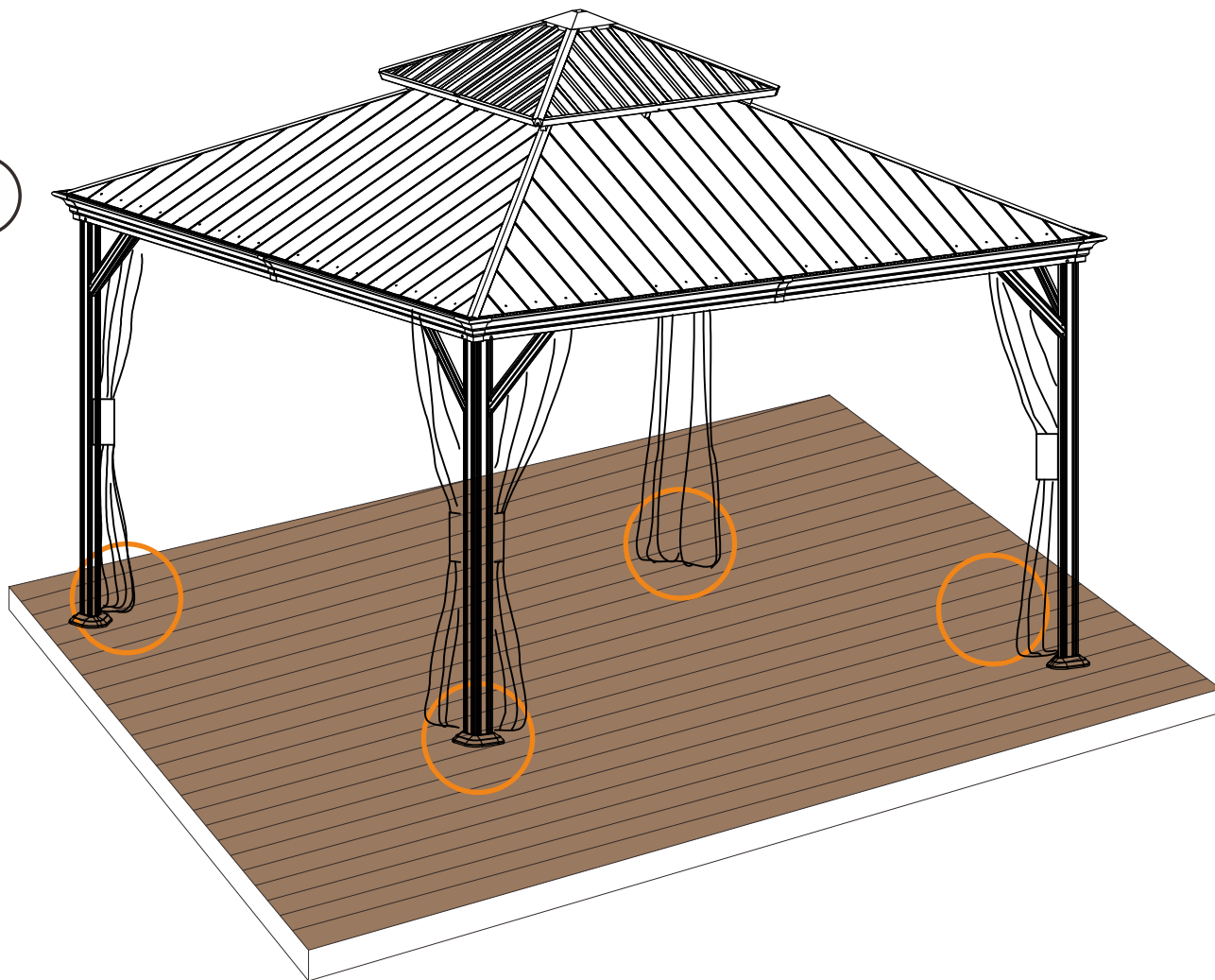
-It would be much easier to assemble the product with three or more people;

-After assembly, please check whether all screws are tightened, to prevent parts from falling apart.

▲ Use bolts to secure the frame to the ground to against the strong wind.

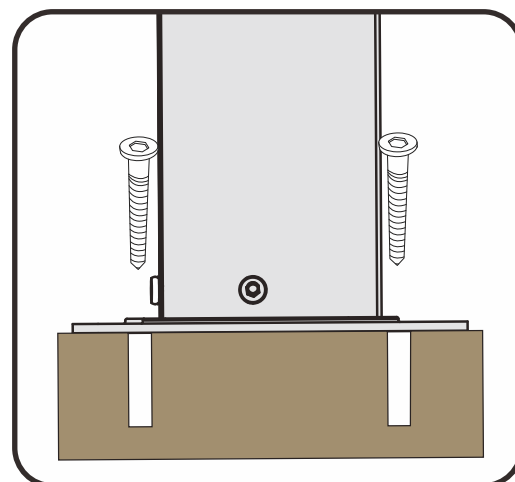
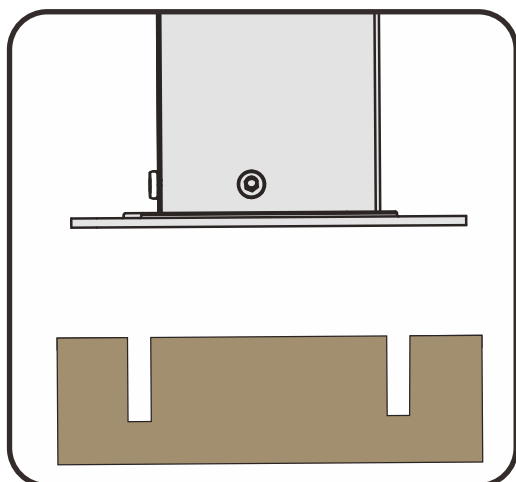
IMPORTANT: A gaze may entail to purchase a municipal permit or be subject to specific building codes. It is the consumer's responsibility to inform themselves of any restrictions.

1

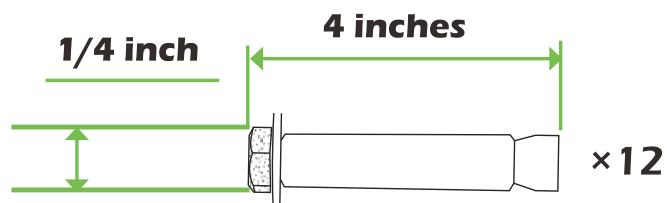
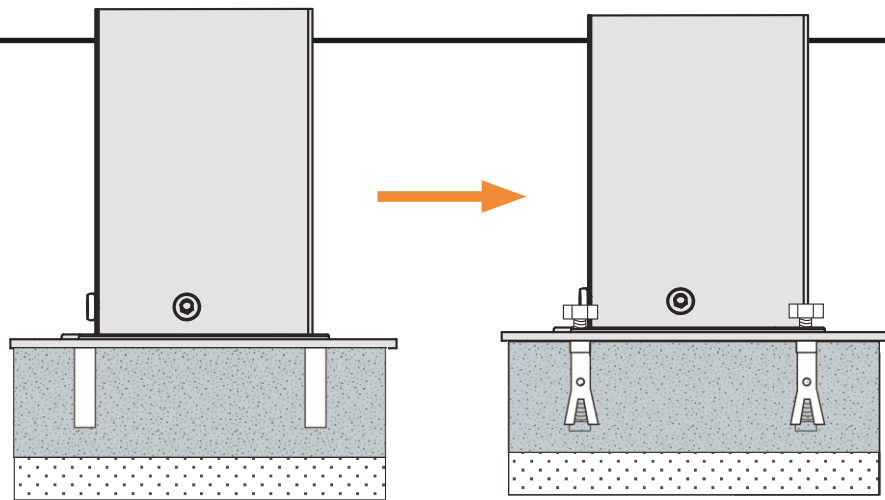


×12

If the deck is hard wood and the depth of it is over 3 inch, you can use **5/16 in. ×4 in. Structural Wood Screw** to mount the gazebo.

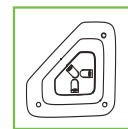
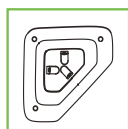


2



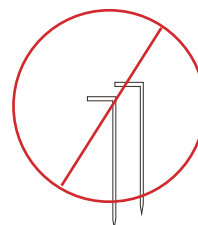
If the ground is concreted and the depth of it is over 3 inch, you can use 1/4 inch expansion bolts to mount the gazebo

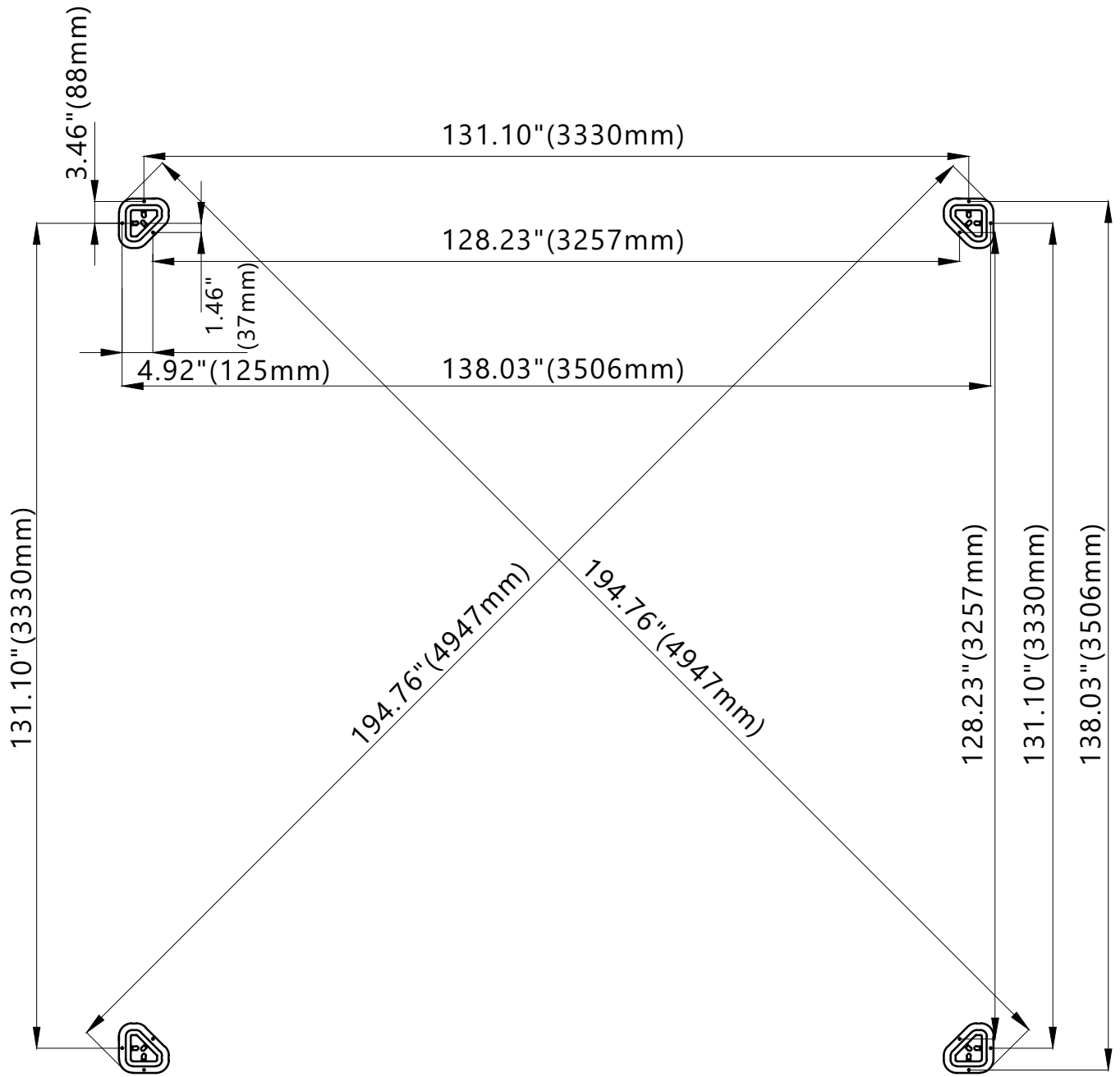
3

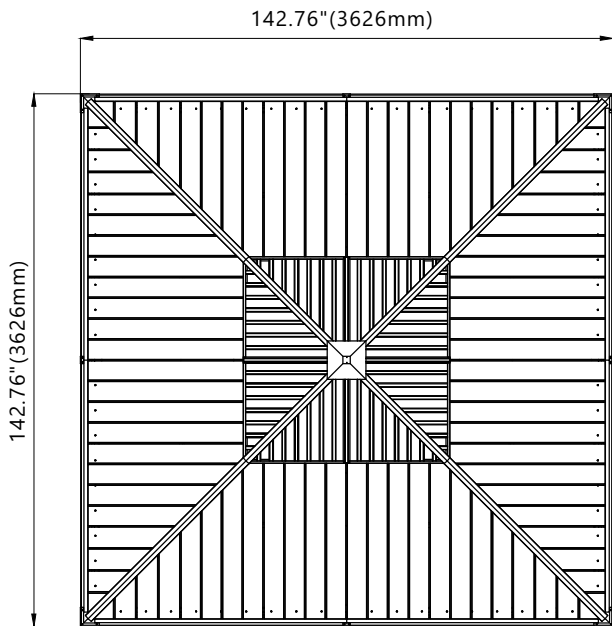
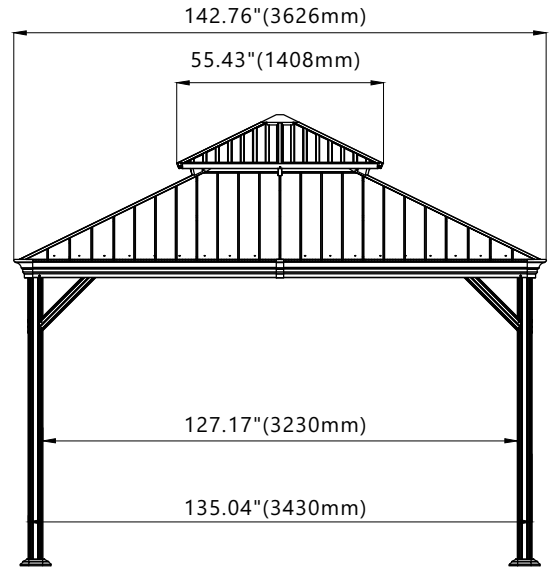
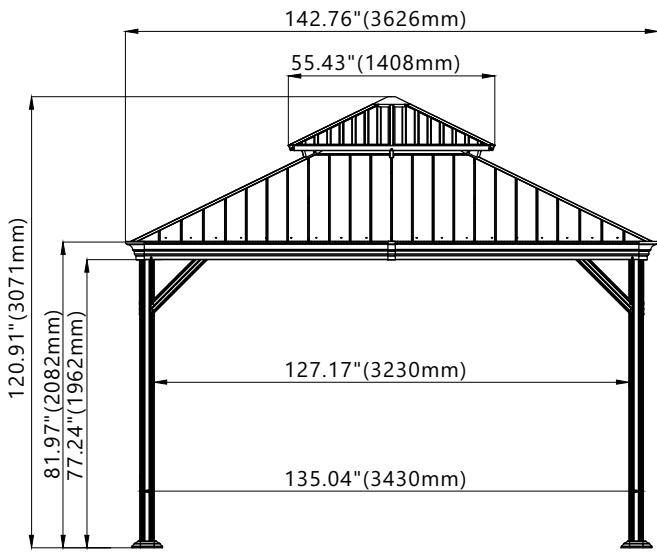


Or you can make a concrete footing for gazebo, **15×15×15 inches** is recommended. use expansion bolts to mount the pergola like ② shows.

IMPORTANT:
Anchor is not recommended









2080

Pole

A (x4)



Joint Cover

G (x4)



Beam

1715

B1 (x4)



Silicone Sealant

H (x1)



Beam

1715

B2 (x4)



578

Corner Solidifying Bar

J1 (x4)



Track

1583

C1 (x4)



578

Corner Solidifying Bar

J2 (x4)



Track

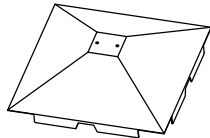
1583

C2 (x4)



Base

K (x4)



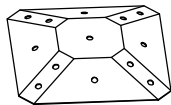
Outside Roof Cover

D1 (x1)



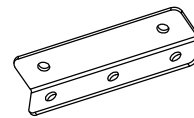
Base Cover

K1 (x4)



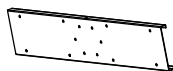
Inside Roof Cover

D2 (x1)



Bracket

K2 (x8)



Union Bar

600

E (x4)



960

Corner Roof Tube Connector

L (x4)



Corner Cover

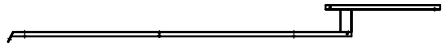
F (x4)



1860

Corner Roof Tube

L1 (x4)



1927

Roof Tube

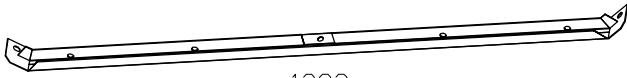
M (x4)



1102

Finishing Bar

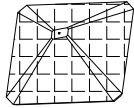
N (x4)



1382

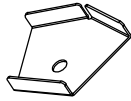
Finishing Bar

O (x4)



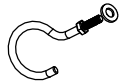
Small Mesh

P (x1)



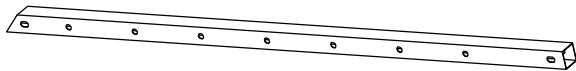
Finishing End

Q (x8)



J-Hook

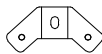
R1 (x1)



1085

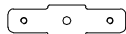
Solidifying Bar

U (x8)



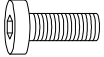
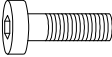
Bracket

U3 (x4)

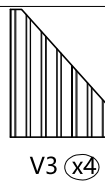
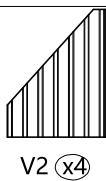


Bracket

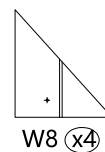
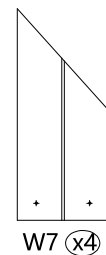
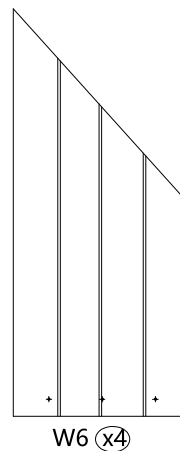
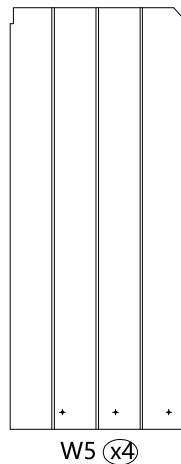
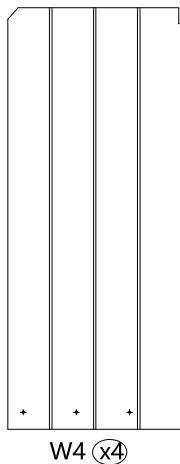
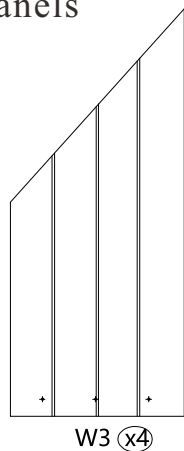
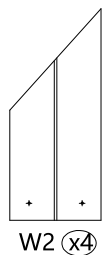
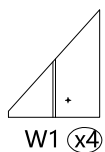
U4 (x4)

 <p>M6x16</p> <p>1# x184</p>	 <p>4x12</p> <p>10# x16</p>
 <p>M6x20</p> <p>2# x24</p>	 <p>M6x12</p> <p>11# x8</p>
 <p>3# x16</p>	 <p>ST6.3*15</p> <p>12# x12</p>
 <p>Plastic Hooks</p> <p>4# x112</p>	
 <p>M6x28</p> <p>5# x72</p>	
 <p>ST4.8x30</p> <p>6# x32</p>	
 <p>ST4.8x35</p> <p>7# x56</p>	
 <p>M5x16</p> <p>8# x4</p>	
 <p>ST4.8x13</p> <p>9# x24</p>	

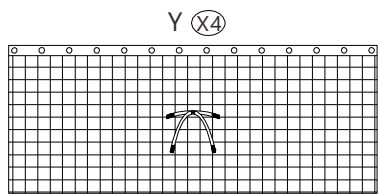
Metal Roof Panels



Resin Roof Panels



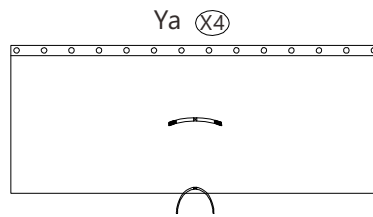
Connecting Rods



Mosquito Netting

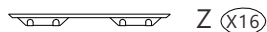


Strap

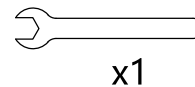
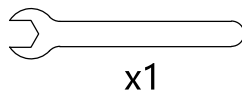
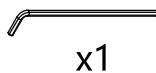


Curtain

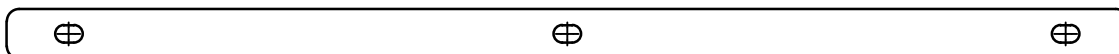
Plastic Clips



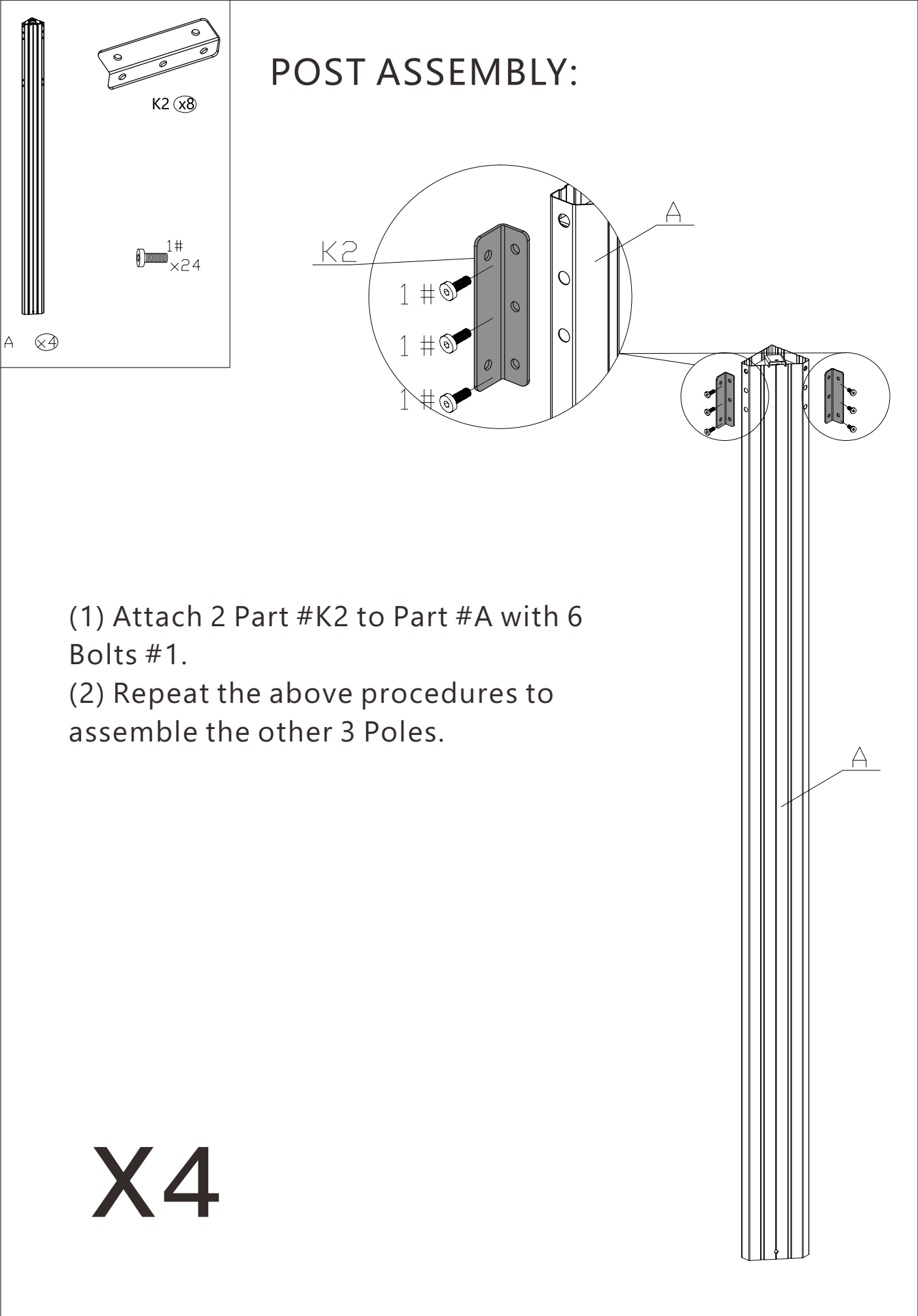
Wrench



Plastic Bar



POST ASSEMBLY:

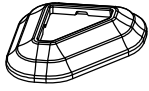


- (1) Attach 2 Part #K2 to Part #A with 6 Bolts #1.
- (2) Repeat the above procedures to assemble the other 3 Poles.

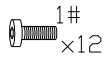
X4



K ×4

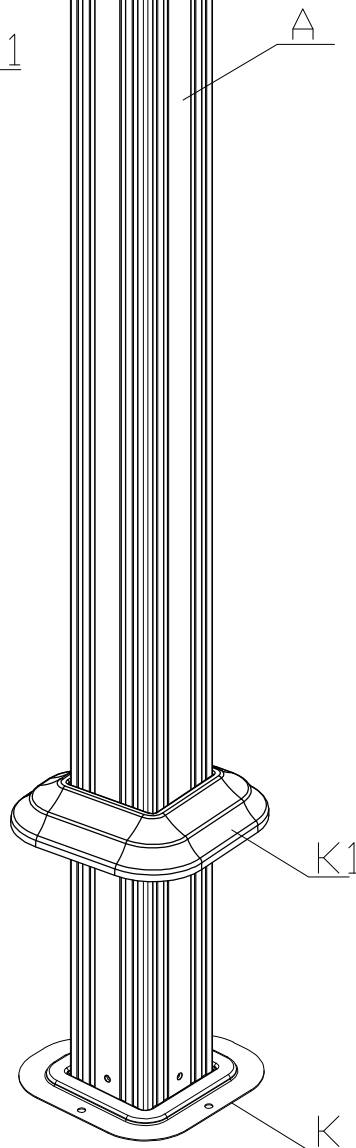
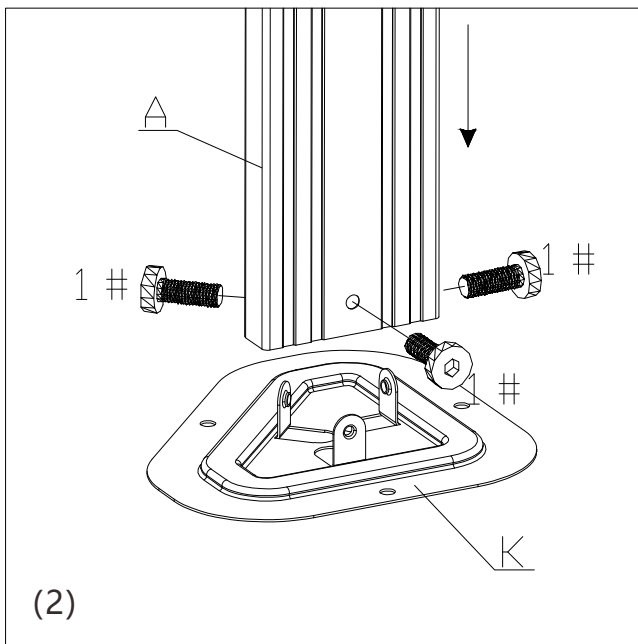
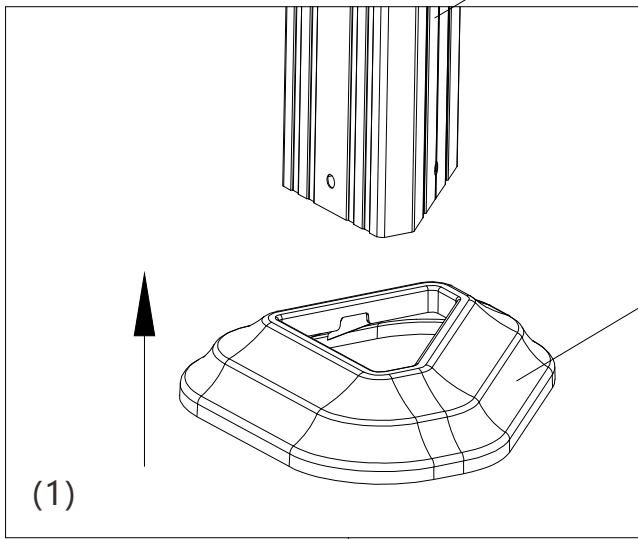
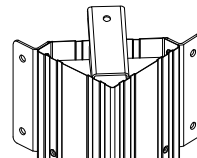


K1 ×4

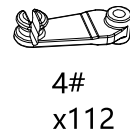
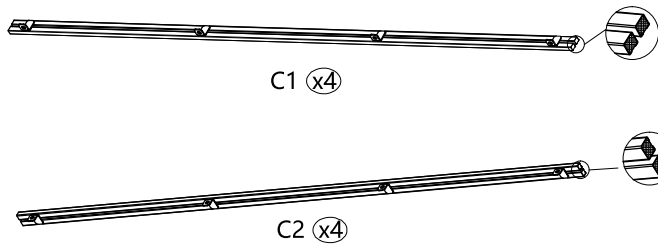


1#
x12

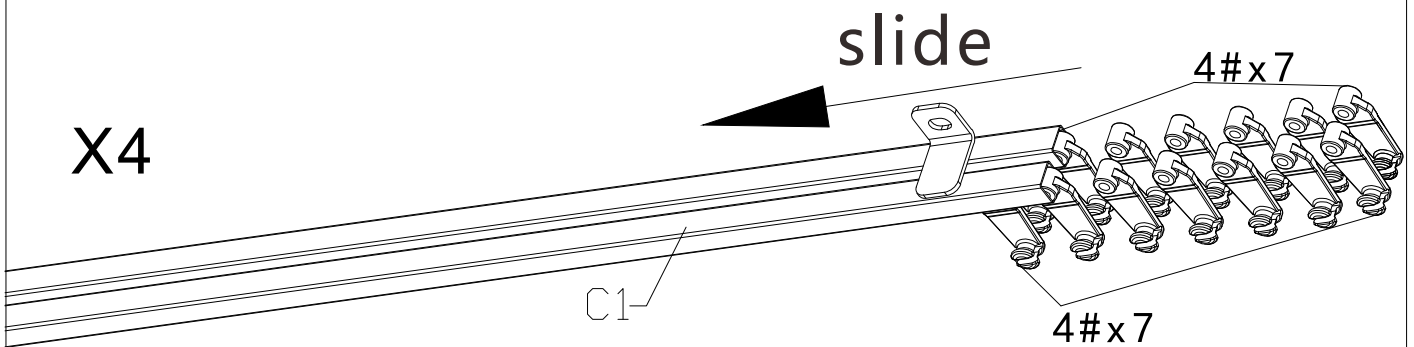
(1) Put on Base Cover #K1 first.
(2) Attach Base #K to Pole #A with 3 Bolts #1.



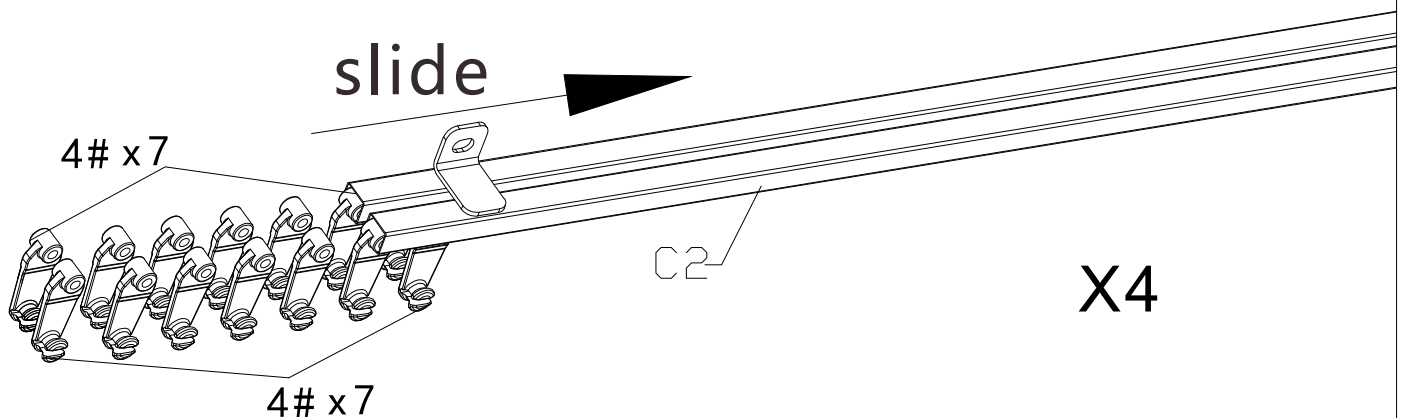
X4



- (1) Slide the Plastic Hooks #4 to the double-rail track #C1 (each slot should slide 7 plastic hooks).
- (2) Repeat the above procedures for the other 3 tracks #C1.

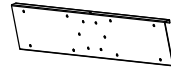


- (1) Slide the Plastic Hooks #4 to the double-rail track #C2 (each slot should slide 7 plastic hooks).
- (2) Repeat the above procedures for the other 3 tracks #C2.





B1 (x4)



E (x4)

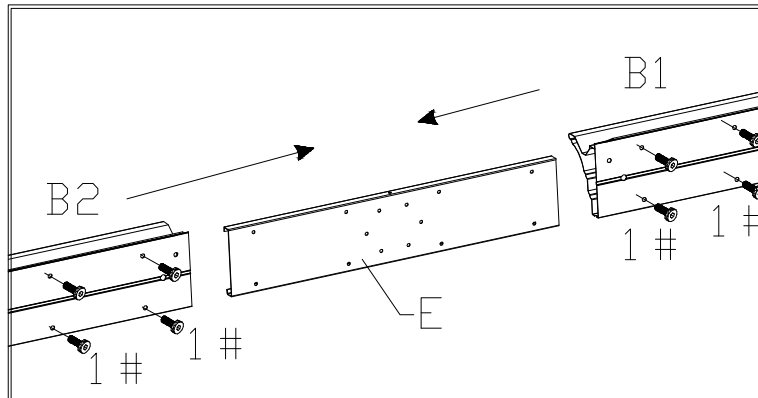


1#
X32



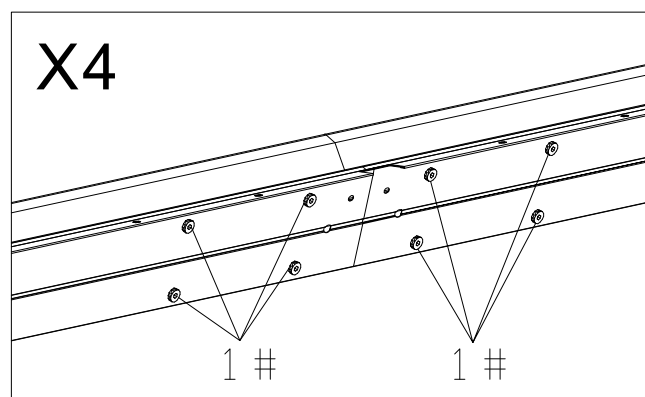
B2 (x4)

BEAM ASSEMBLY

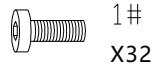


- (1) Insert Part #E into Part #B2, and secure with 4 Bolts #1.
- (2) Insert the other side of Part #E into Part #B1 and secure with 4 Bolts #1.

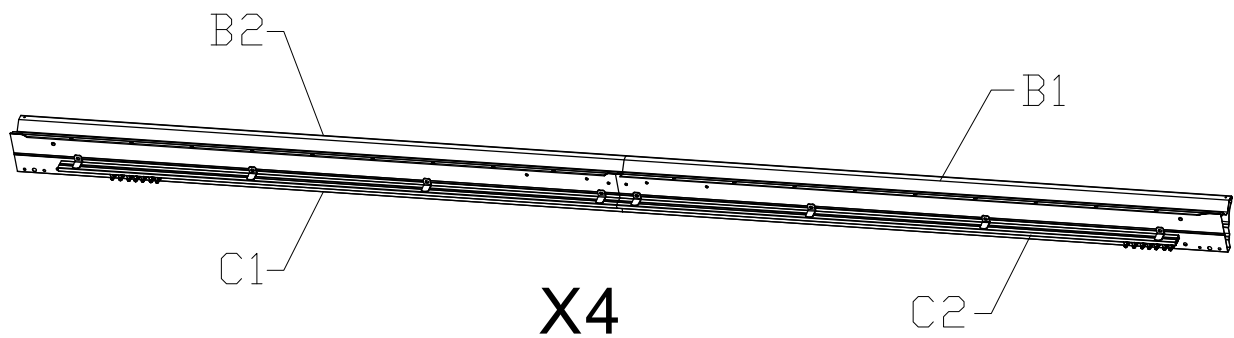
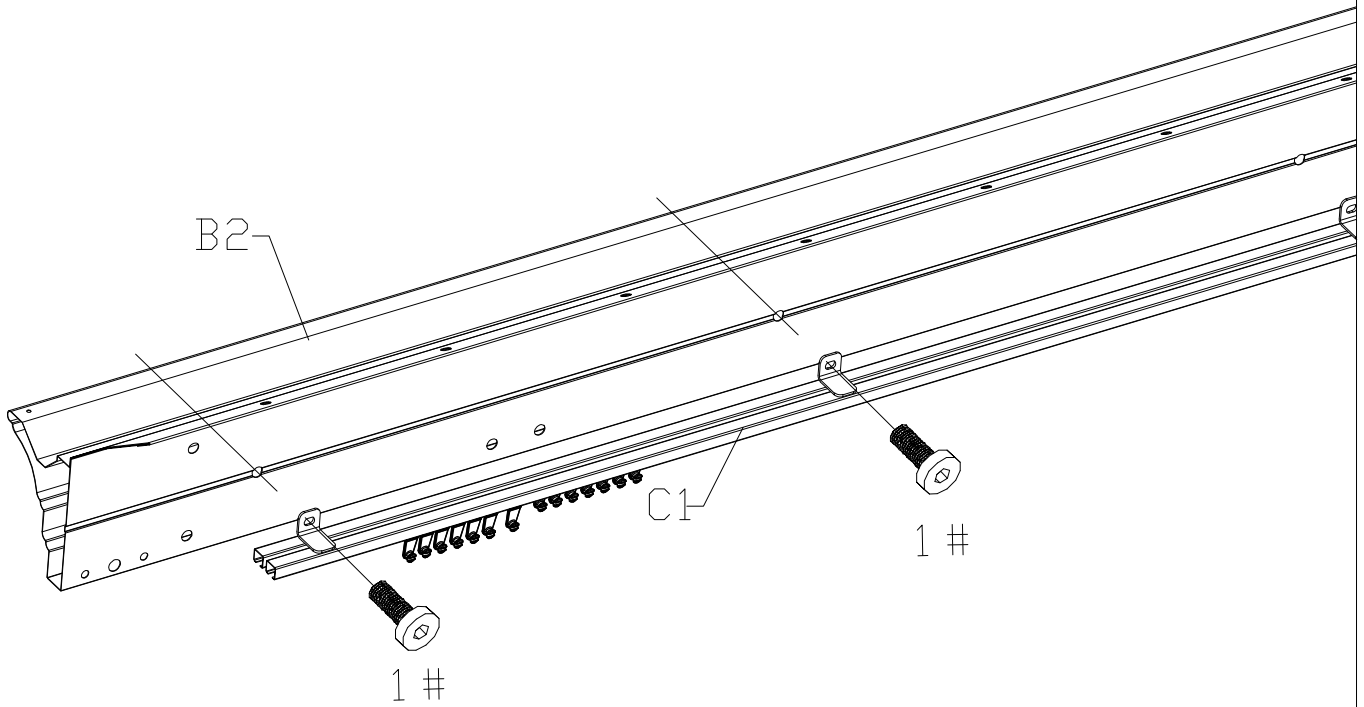
Repeat the above procedures to assemble the other 3 Part #B1 and #B2.

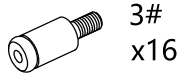


TIPS: It's a normal situation that there's a gap between the 2 beams, please use silicone sealant (part #H) and Joint Cover #G to affix the gap. (See P7)



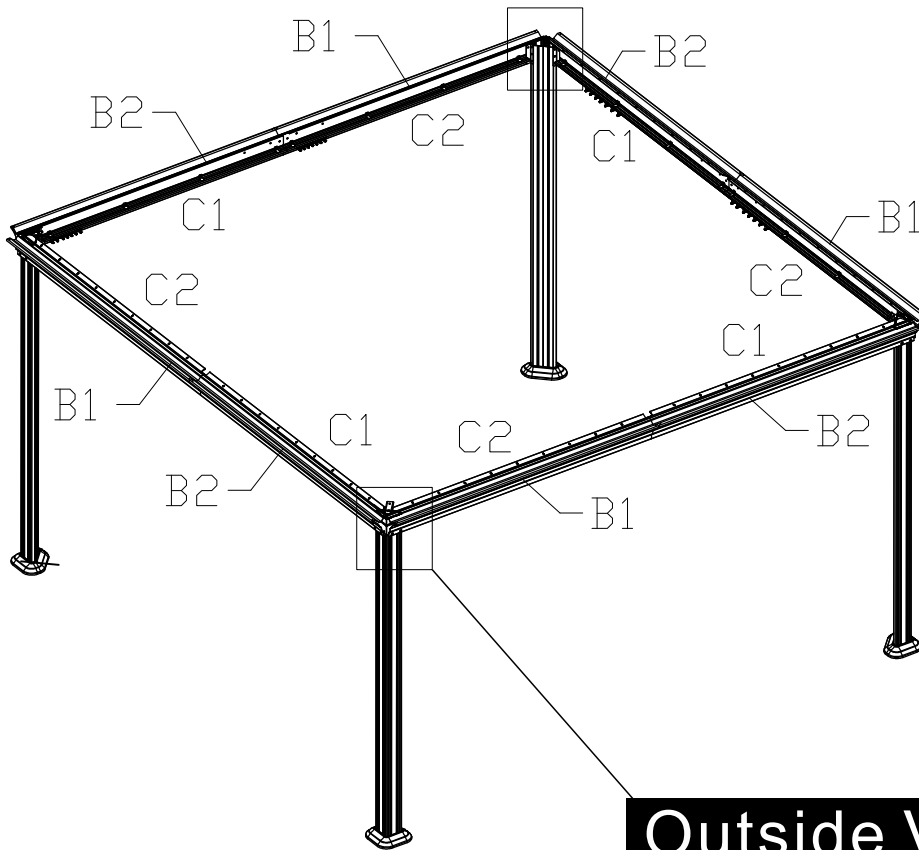
(1) Use 8 Bolts #1 to fix the track C1 & C2 to the beam B2 & B1.
Repeat the above procedures for other 3 beams B2 & B1.





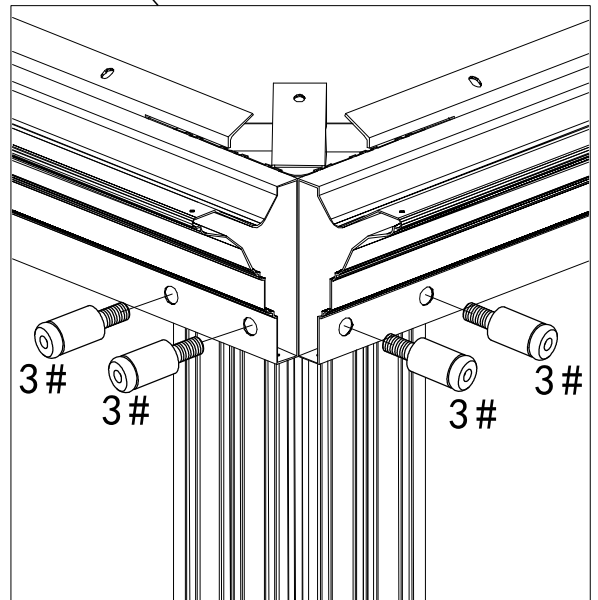
3#
x16

FRAME ASSEMBLY



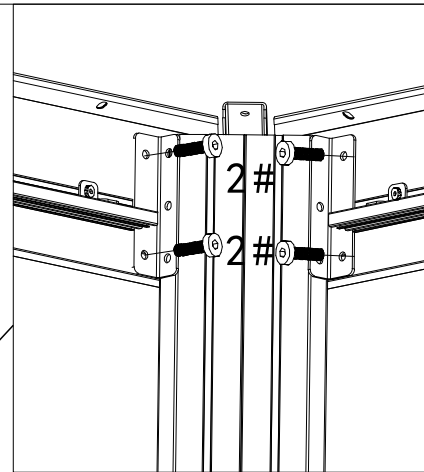
Outside View

Please don't tighten all bolts.

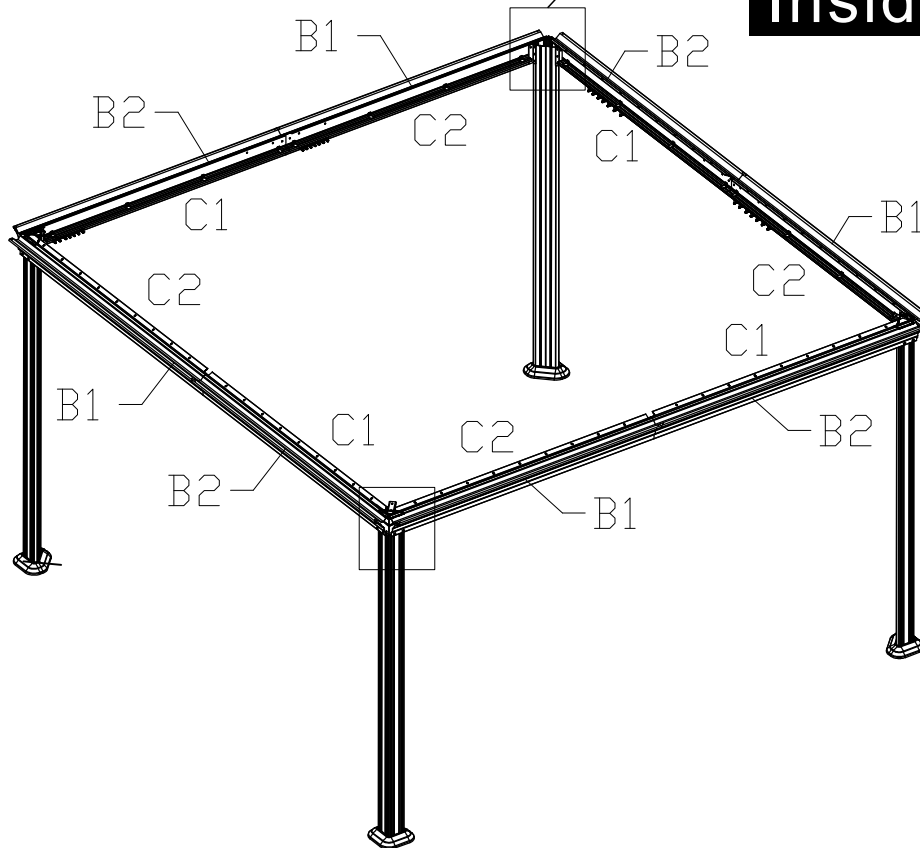




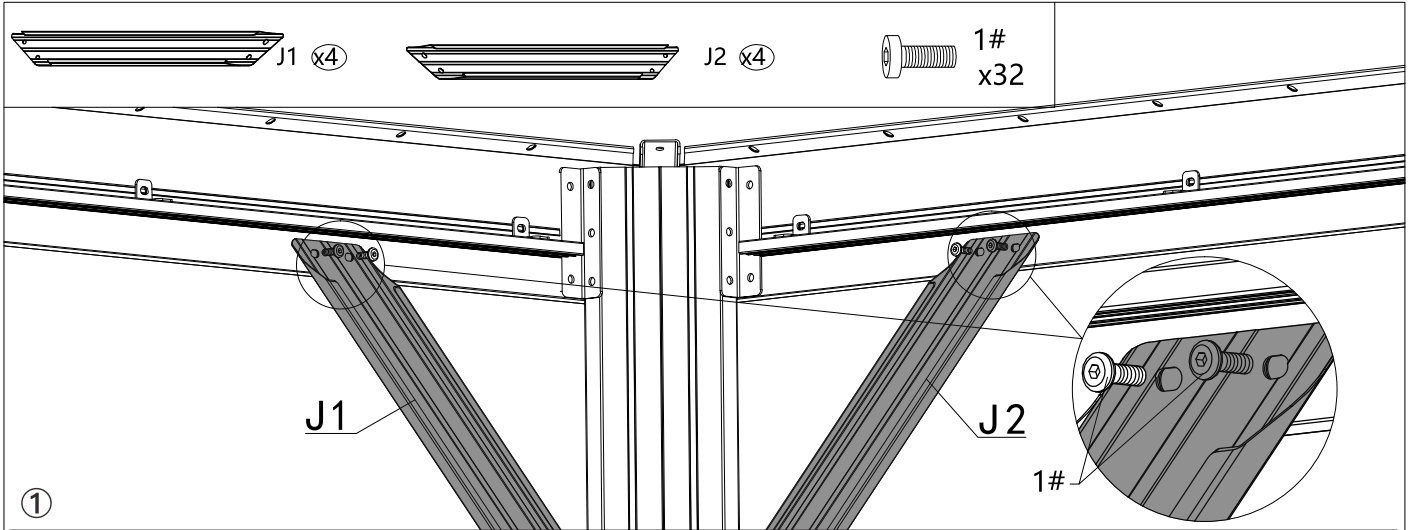
2#
x16



Inside View

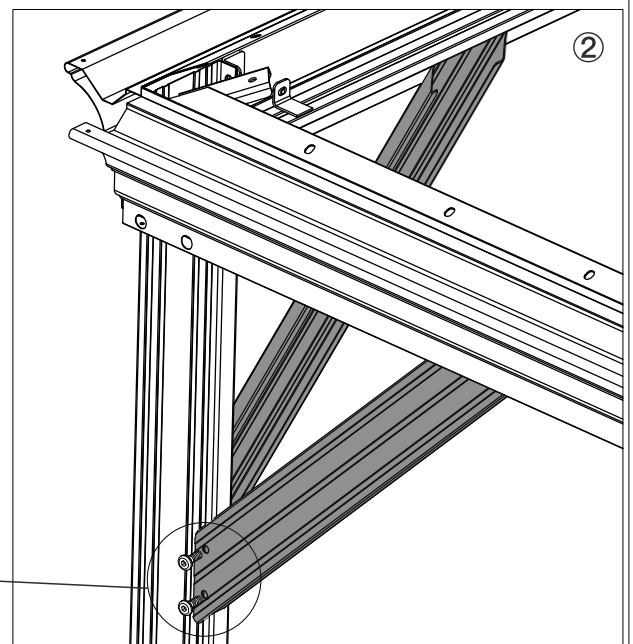
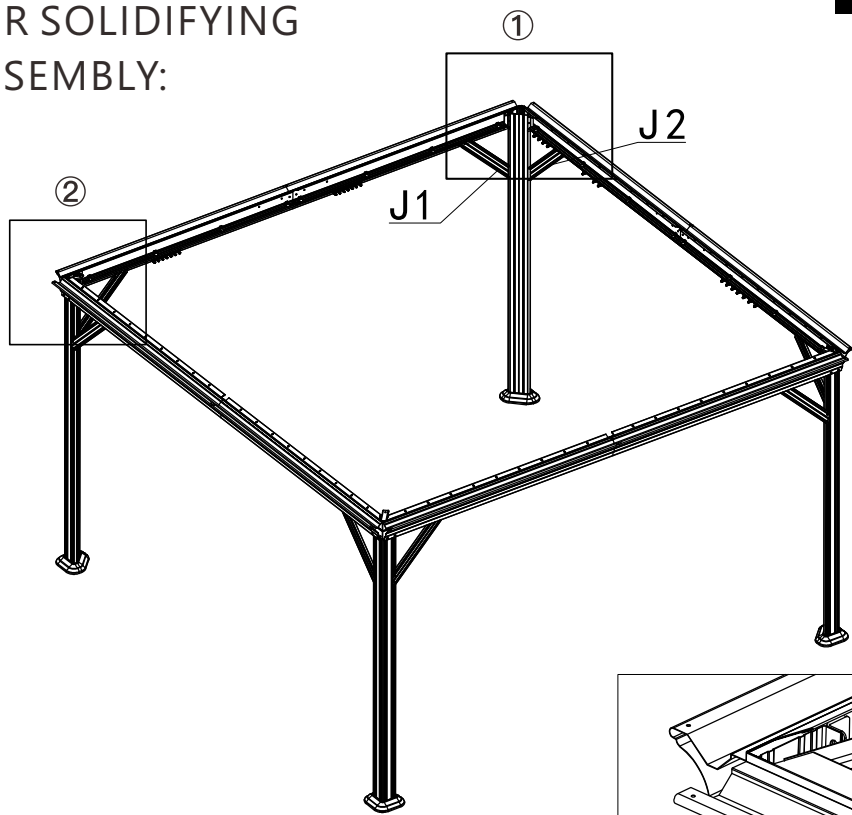


Please don't tighten all bolts.



Inside View

CORNER SOLIDIFYING
BAR ASSEMBLY:



Outside View



F (x4)



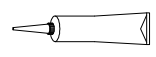
G (x4)



8#
x4

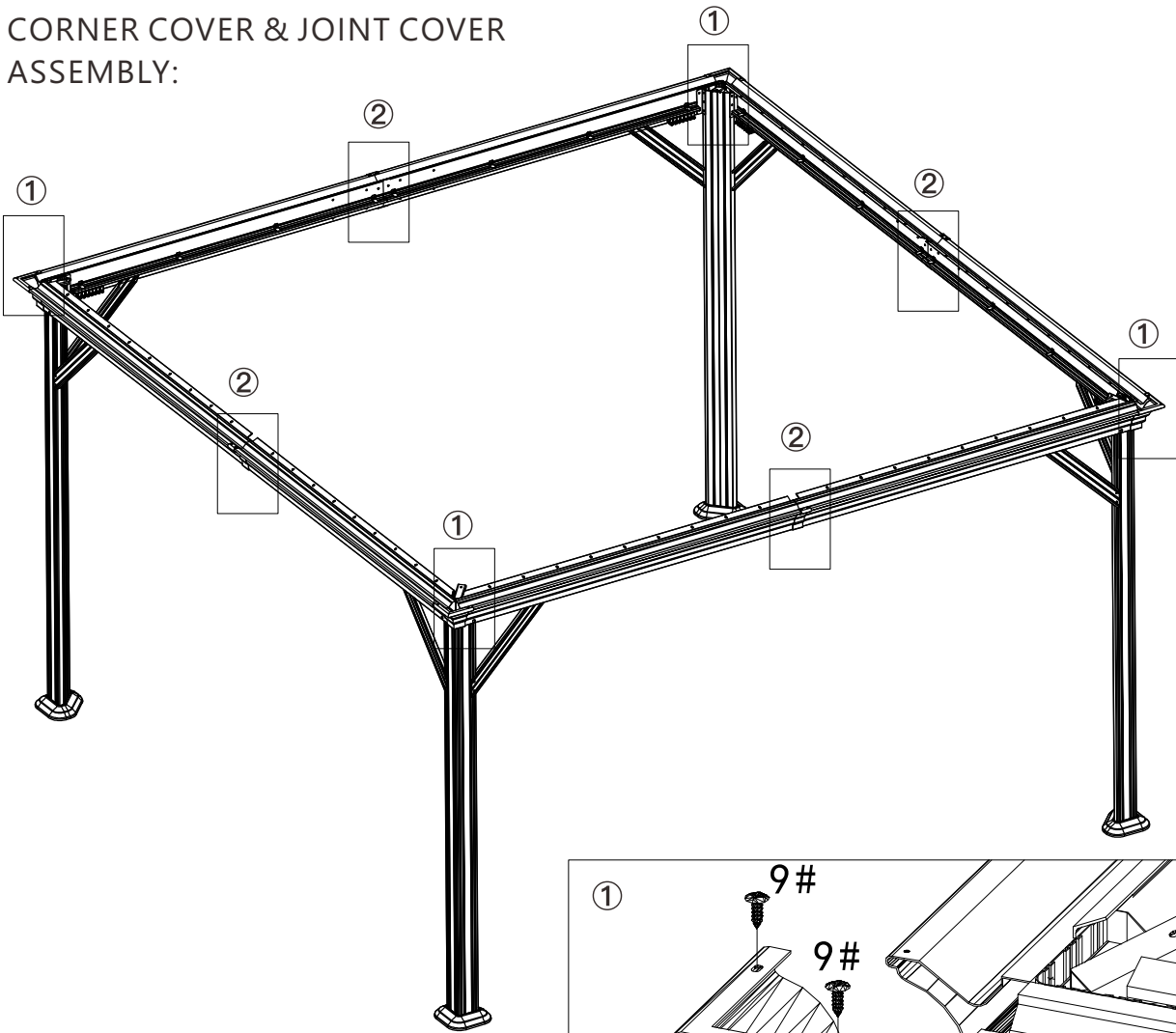


9#
x24

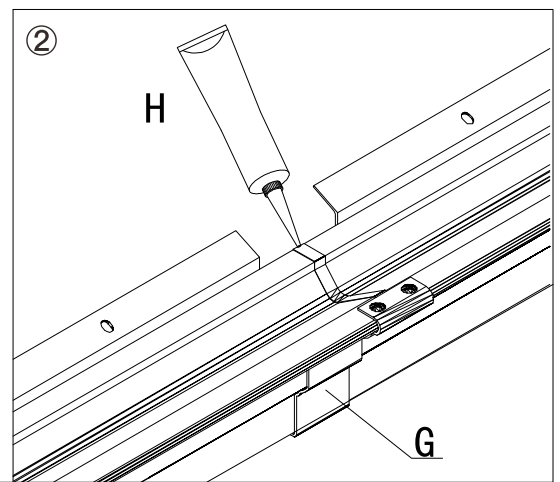
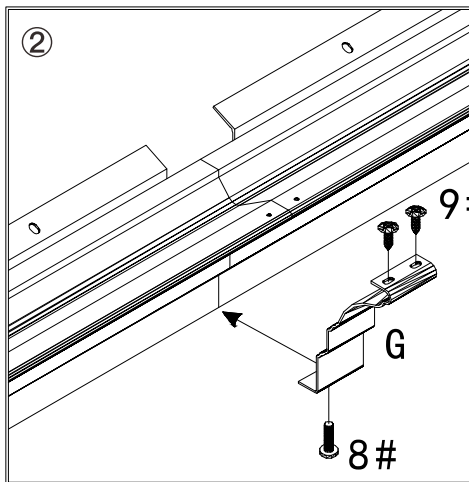
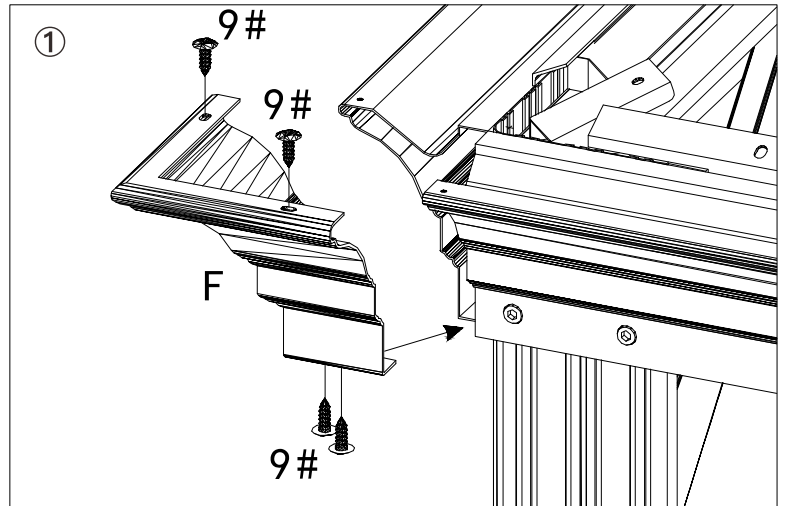


H (x1)

CORNER COVER & JOINT COVER ASSEMBLY:



Use 5mm silicone sealant (Part #H) and Joint Cover #G to affix the gap.

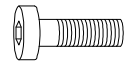




L (x4)

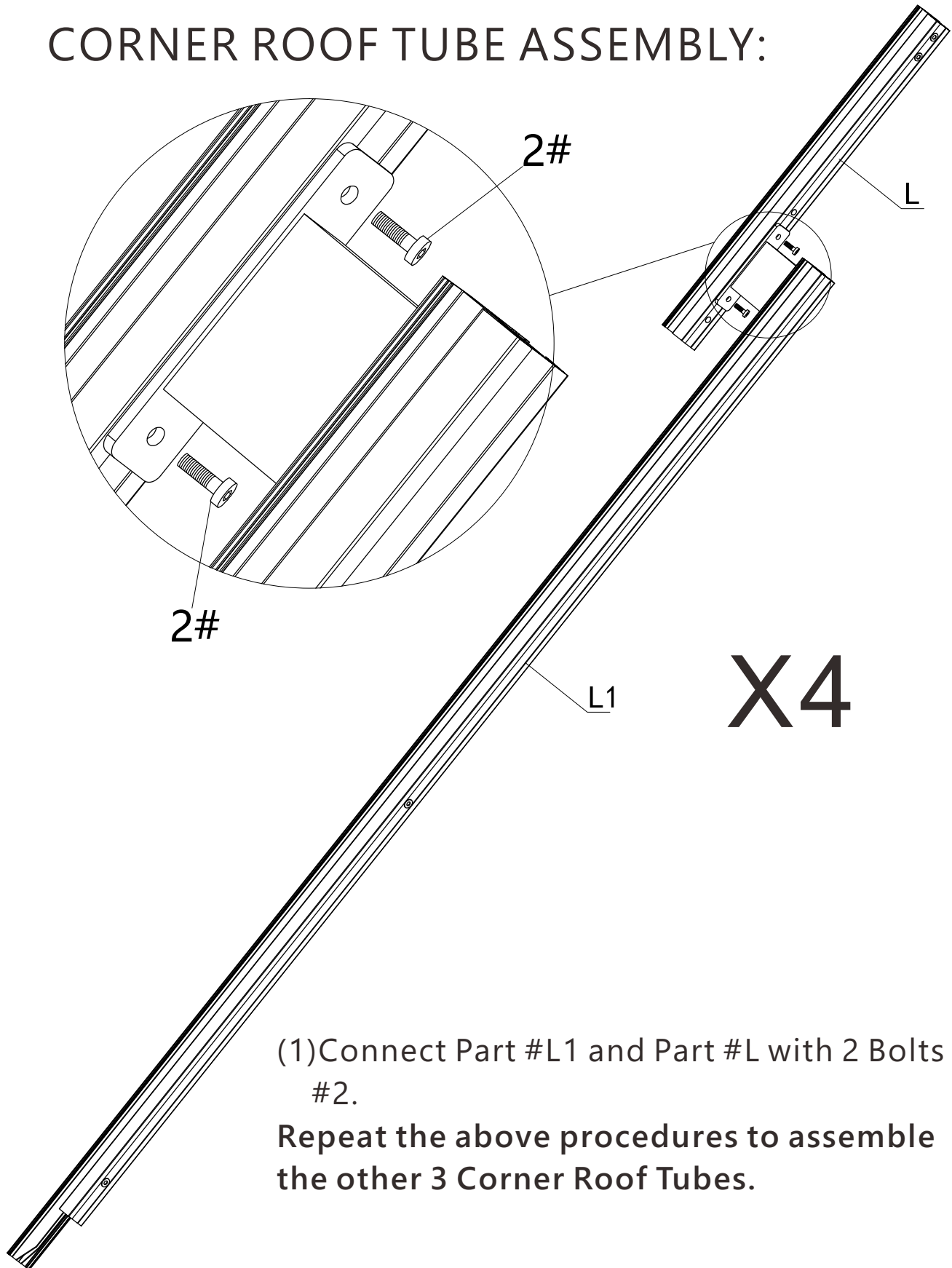


L1 (x4)



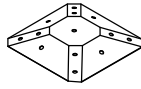
2#
x8

CORNER ROOF TUBE ASSEMBLY:



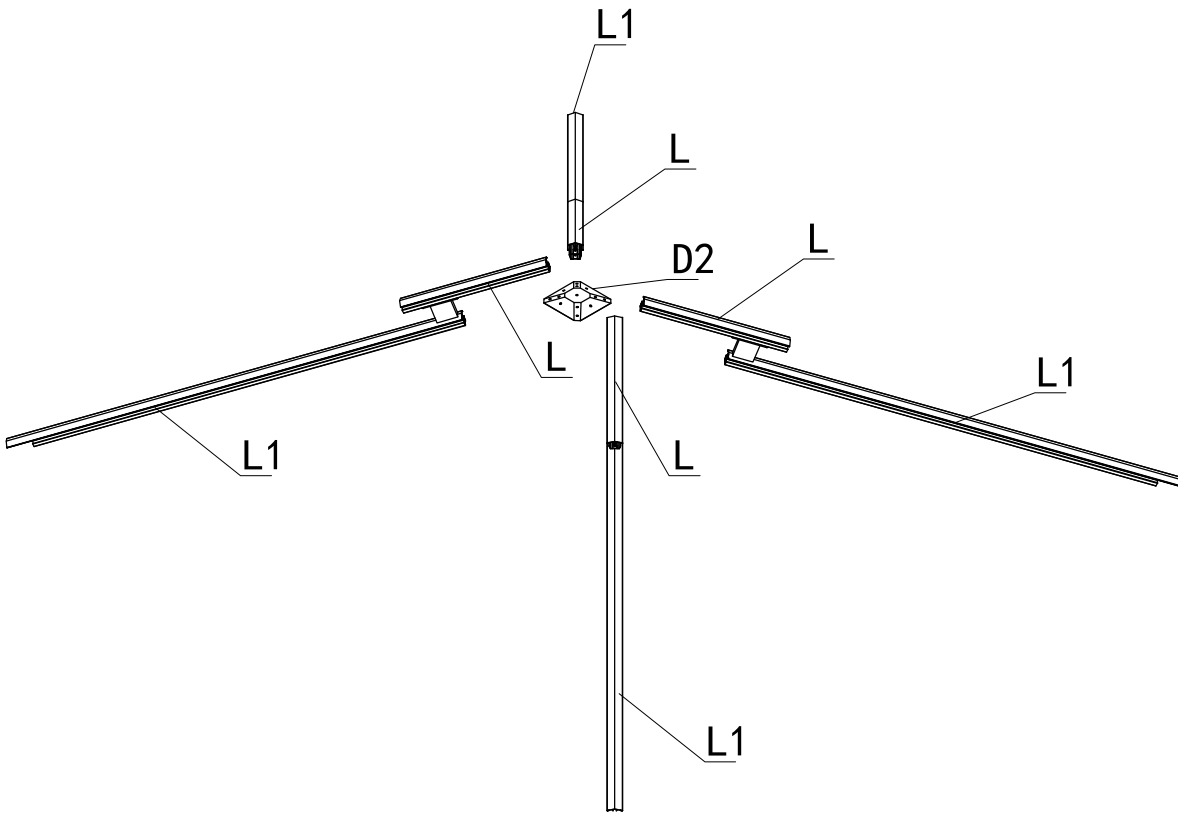
(1) Connect Part #L1 and Part #L with 2 Bolts #2.

Repeat the above procedures to assemble the other 3 Corner Roof Tubes.

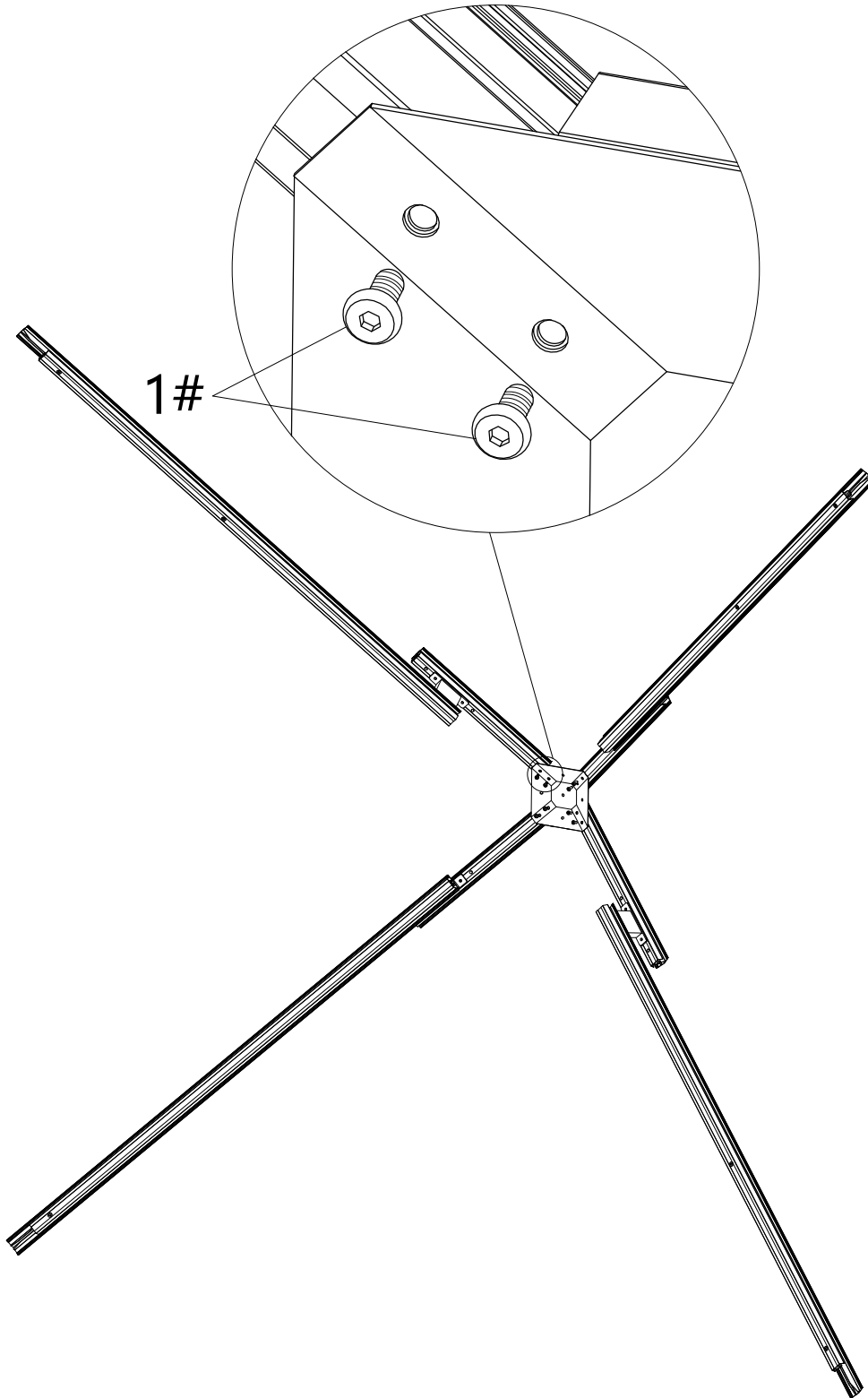


D2 (x1)

CORNER ROOF TUBE AND INSIDE ROOF CONNECTOR ASSEMBLY:



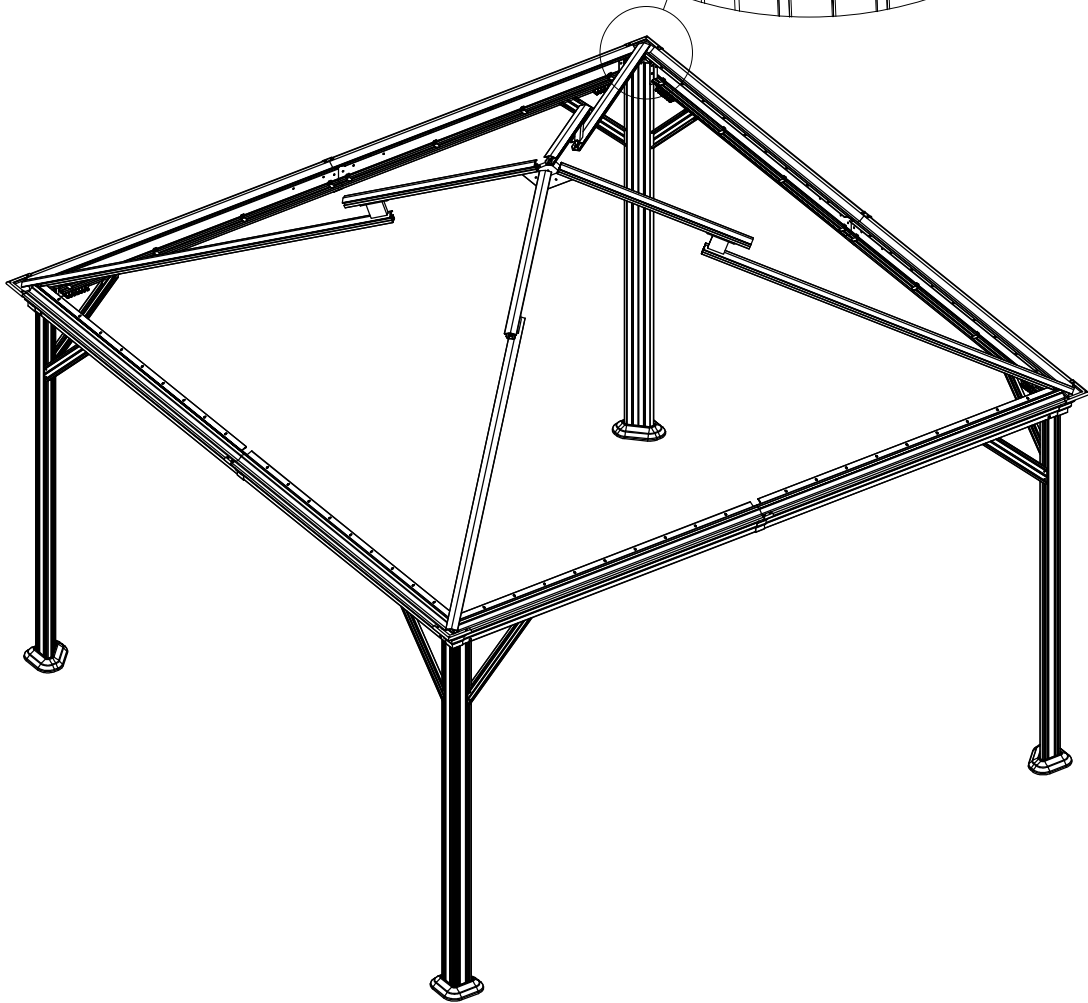
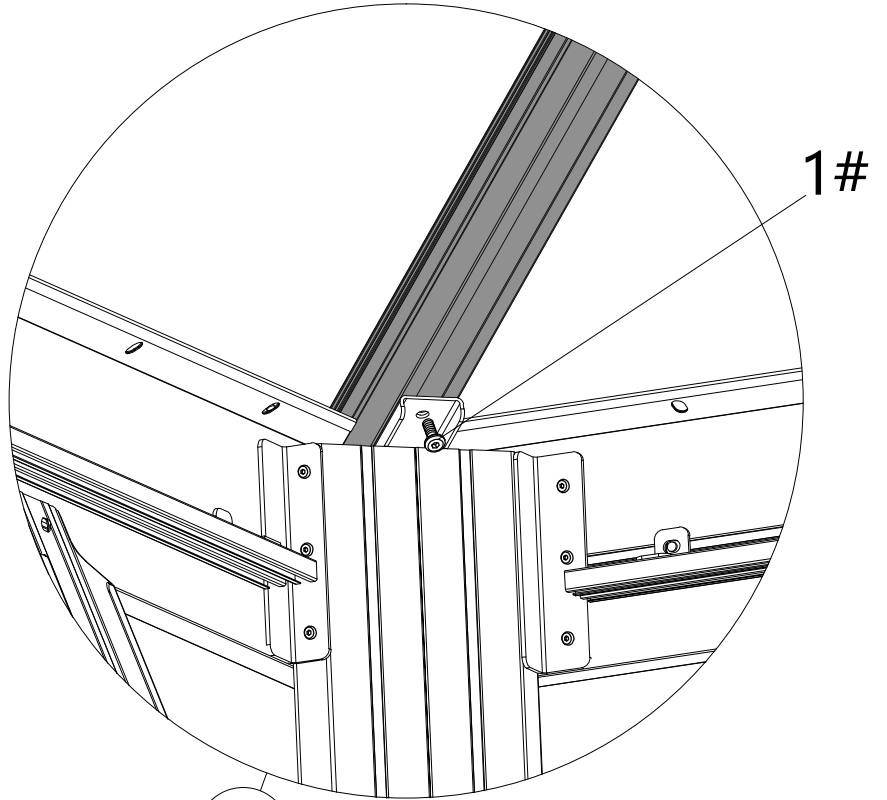
1#
x8

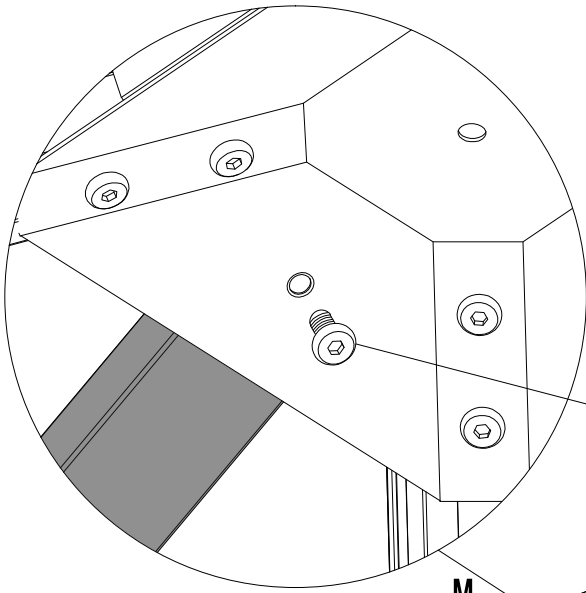
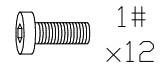
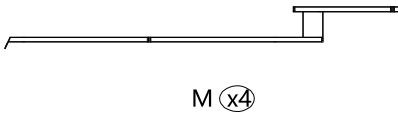


Place 4 Corner Roof Tubes on the 4 corners of Inside Roof Cover #D2, secure with 8 Bolts #1. (From bottom to top)

1#
×4

Inside View



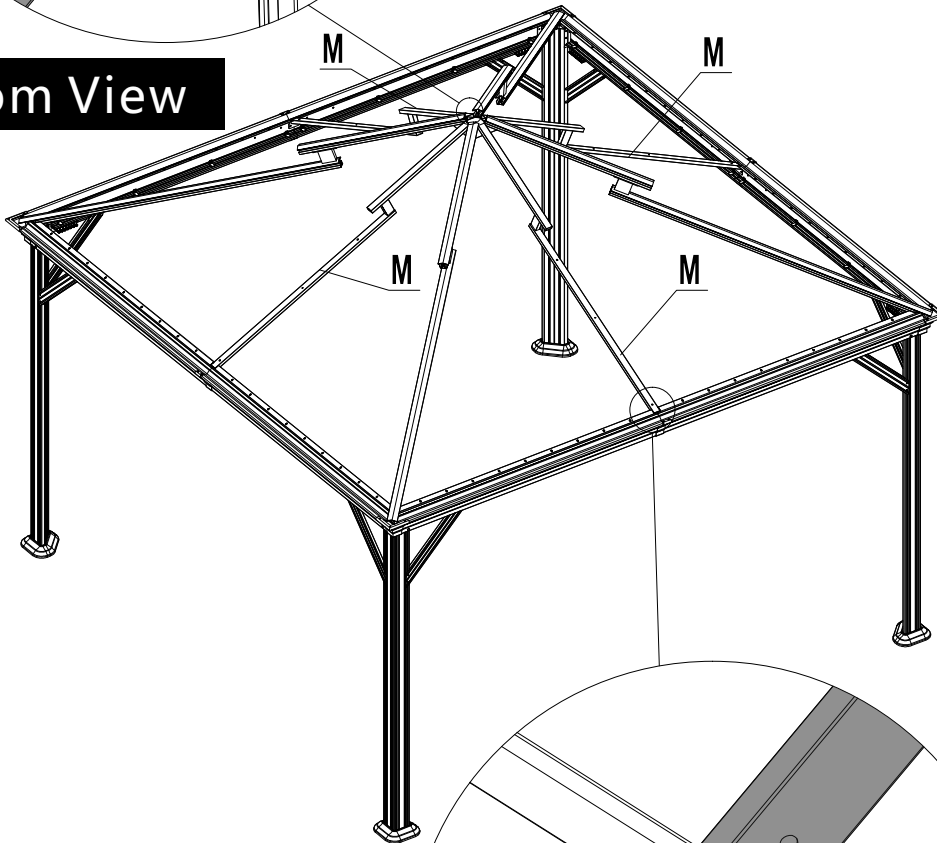


MIDDLE ROOF TUBE ASSEMBLY:

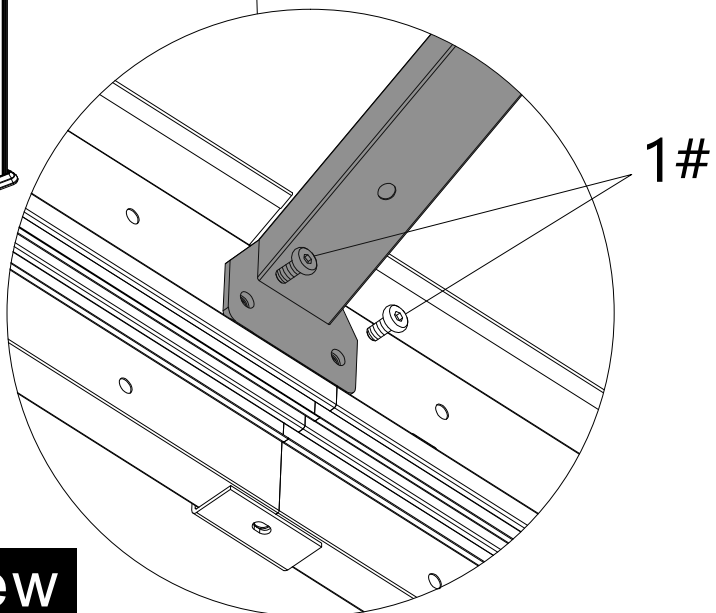
(1) Place Middle Roof Tube #M on Inside Roof Connector, secure with Bolt #1 (from bottom to top).

(2) Connect Middle Roof Tube #M and the Assembled Beam with 2 Bolts #1.

Bottom View

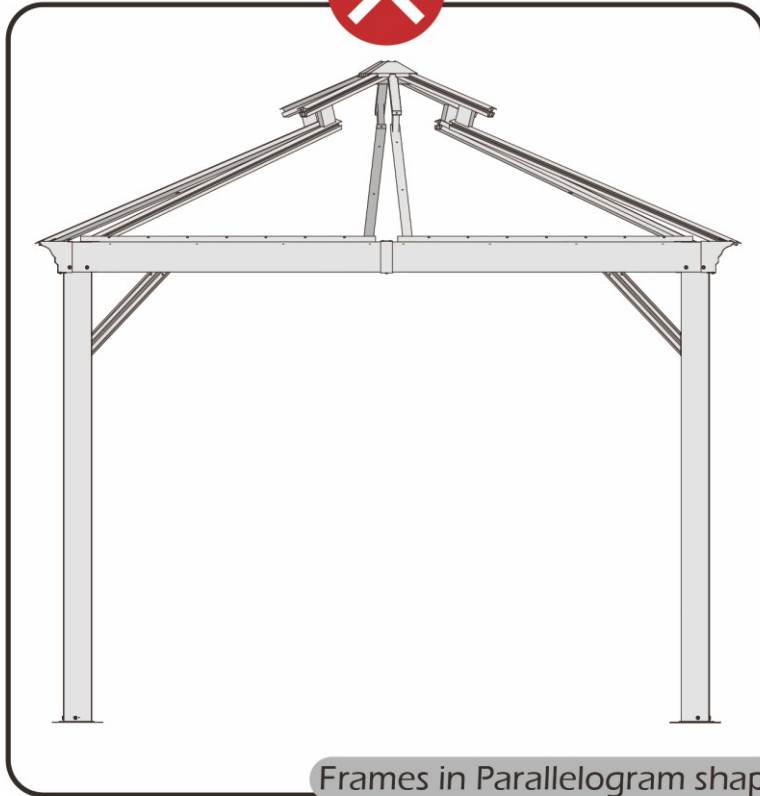


Repeat the above procedures to assemble the other 3 sides.

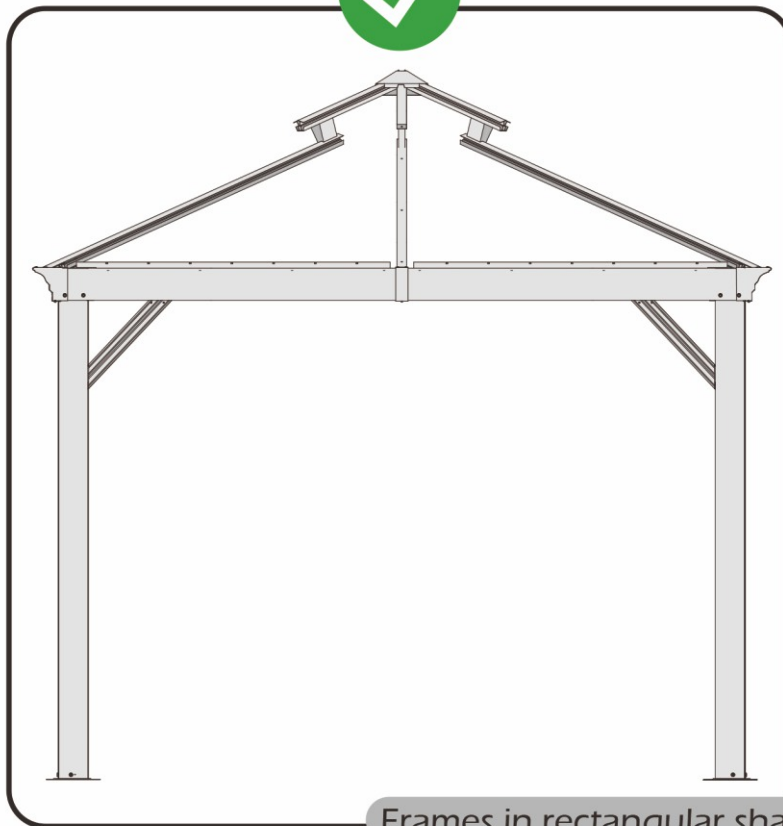


Inside View

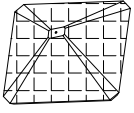
Check the the frame as pictures below shows.



Frames in Parallelogram shape



Frames in rectangular shape

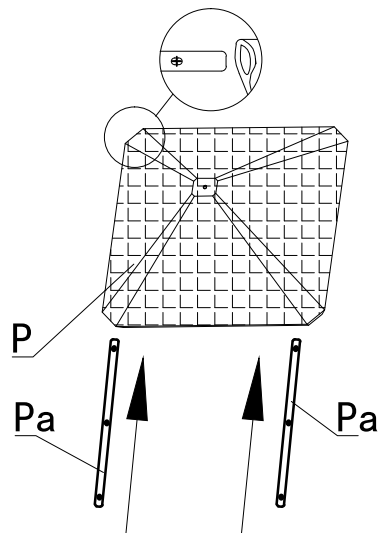
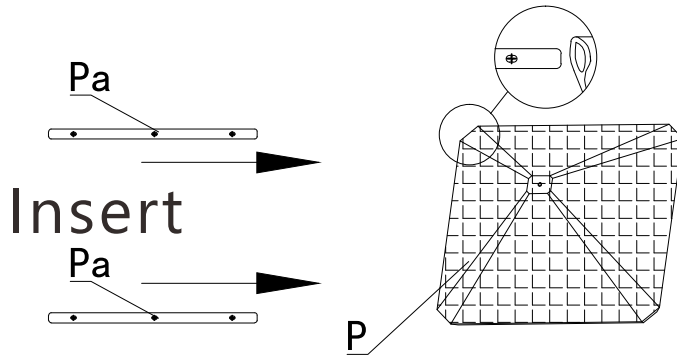


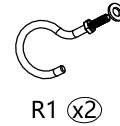
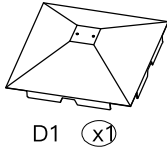
P (x1)



Pa (x4)

PLASTIC BAR ASSEMBLY:

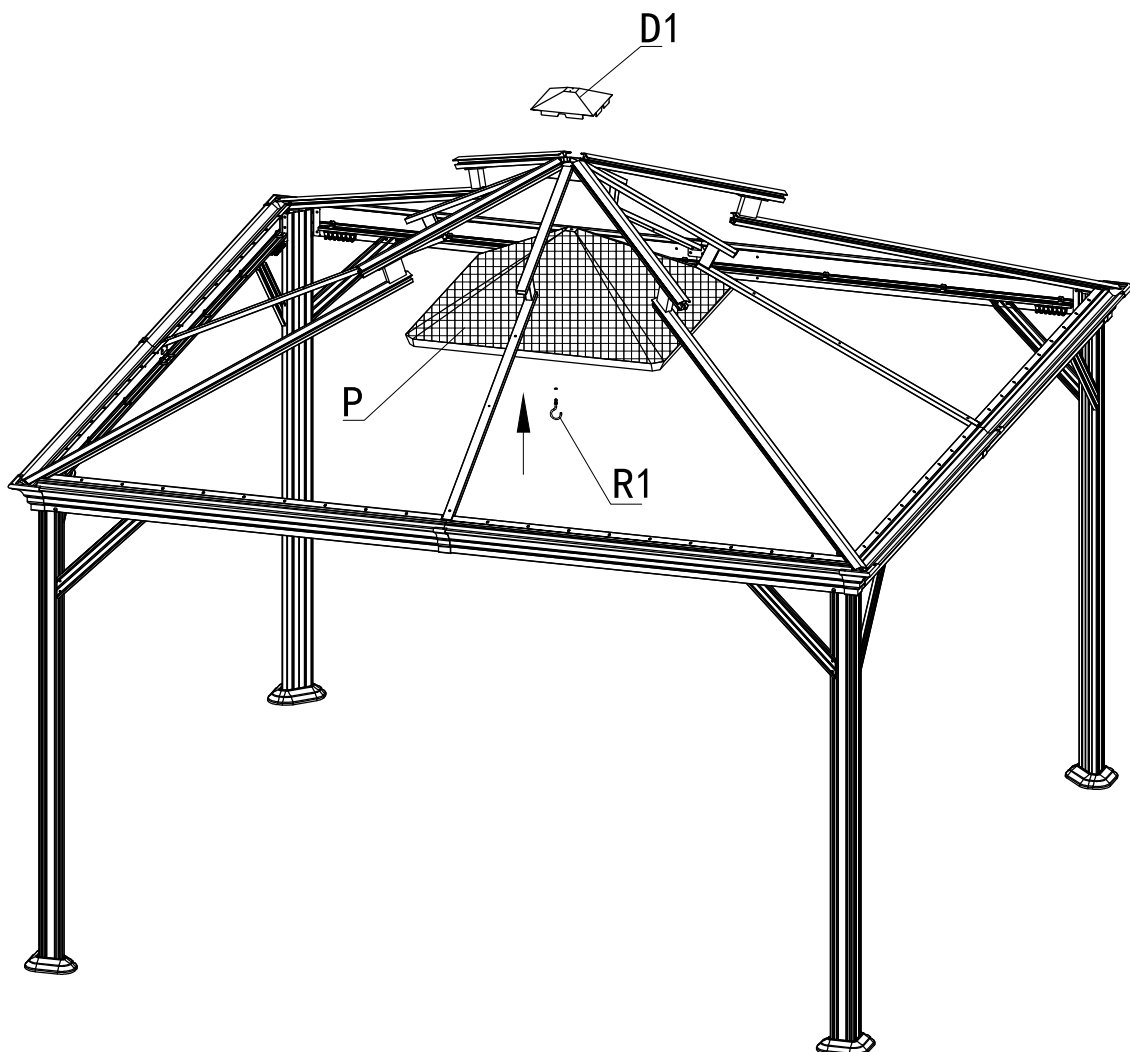


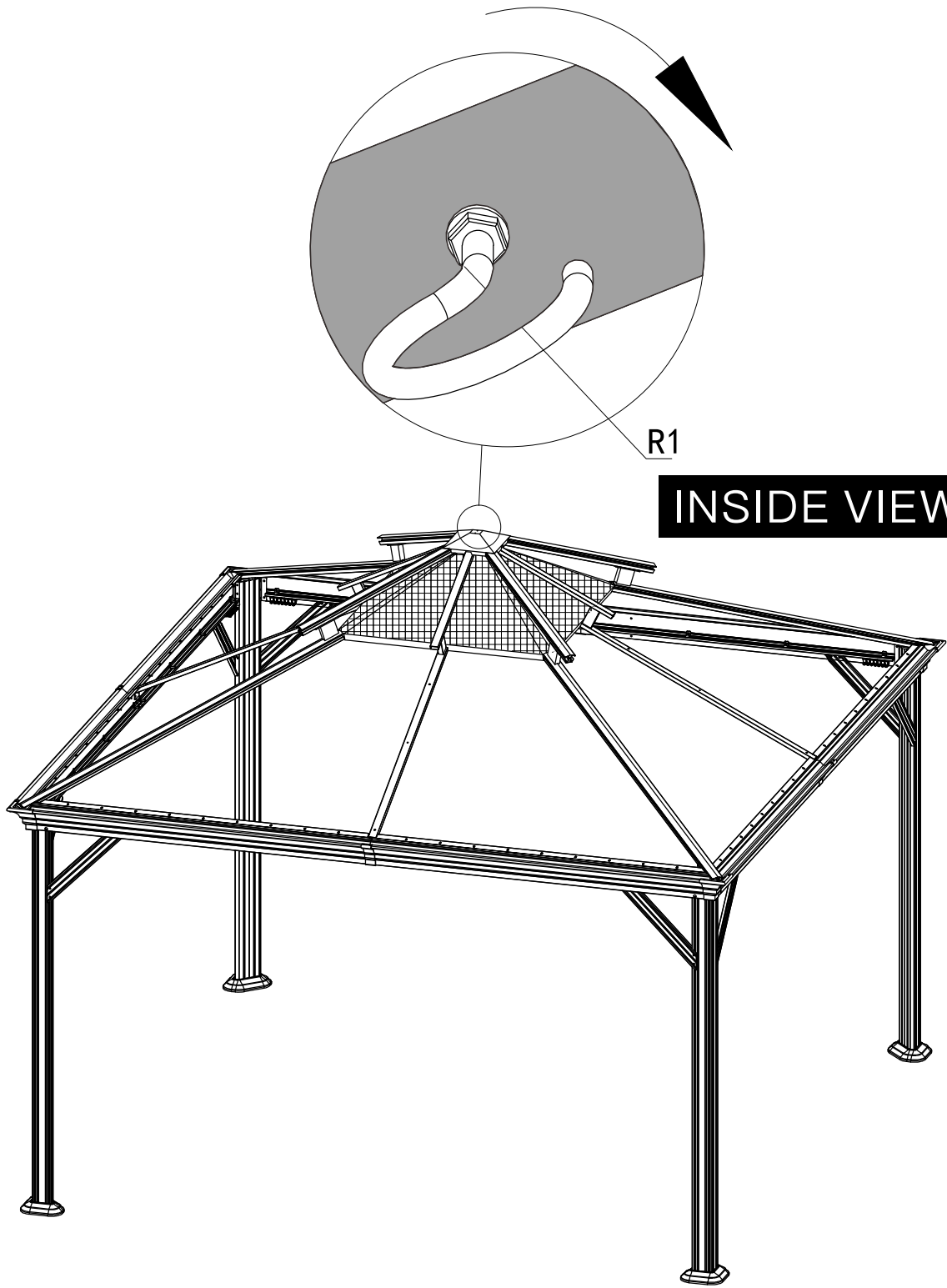


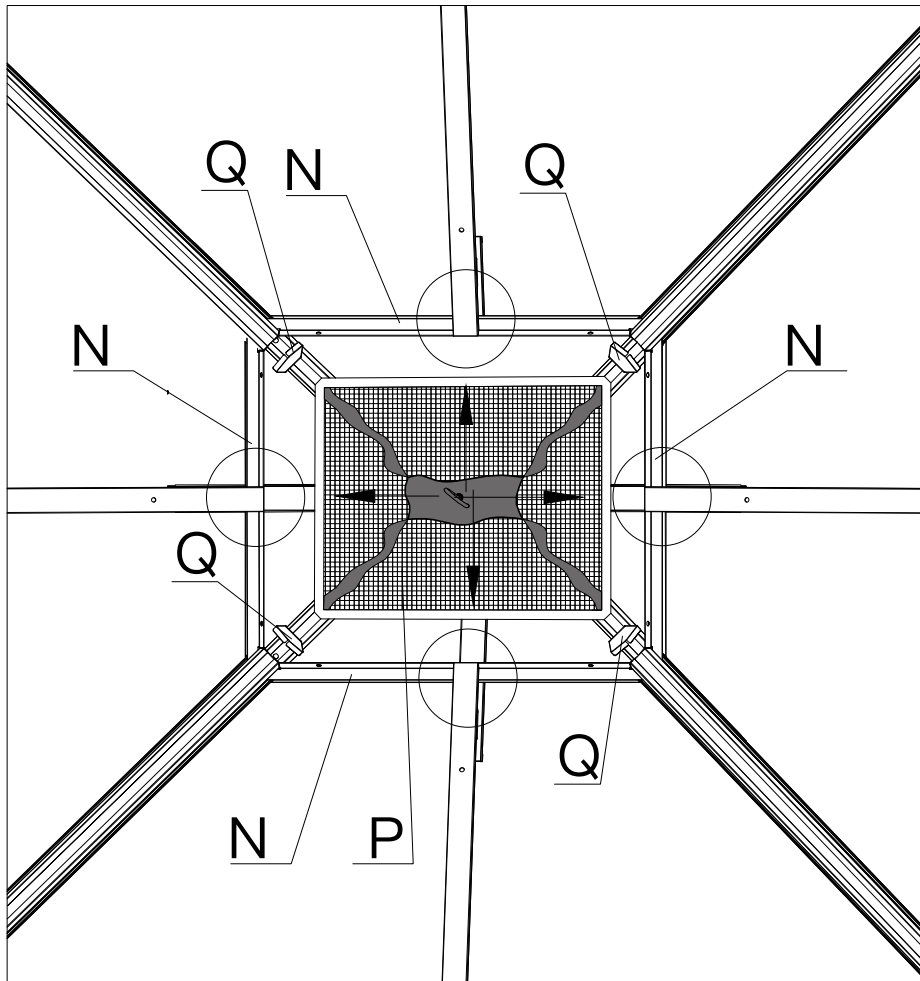
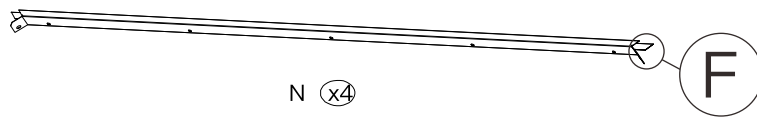
OUTSIDE ROOF COVER AND MESH ASSEMBLY:

(1) Place the Outside Roof Cover #D1 on the inside Roof Cover.

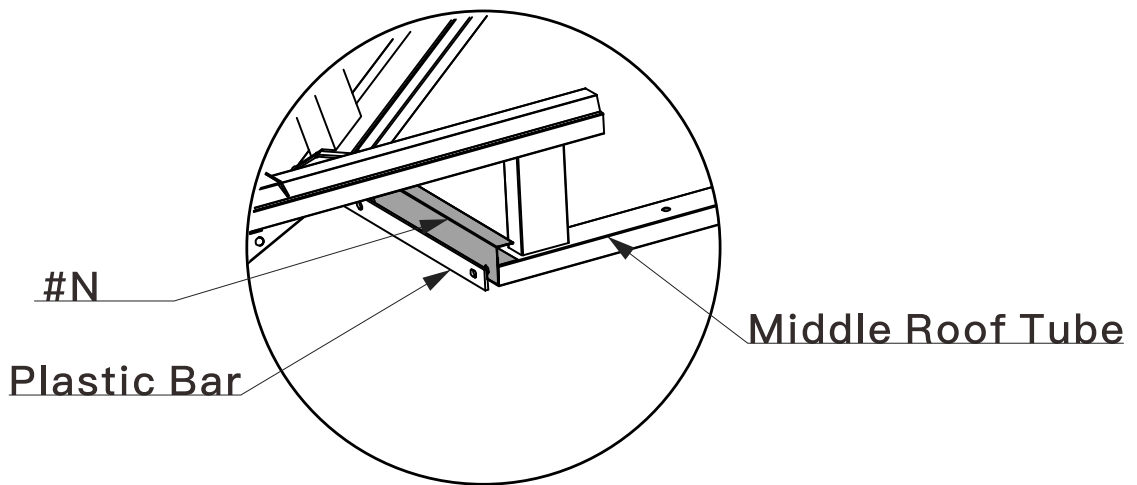
(2) Align the holes, and use 1 Hook #R1 to secure Small Mesh #P to the inside Roof Cover (From Bottom to Top).





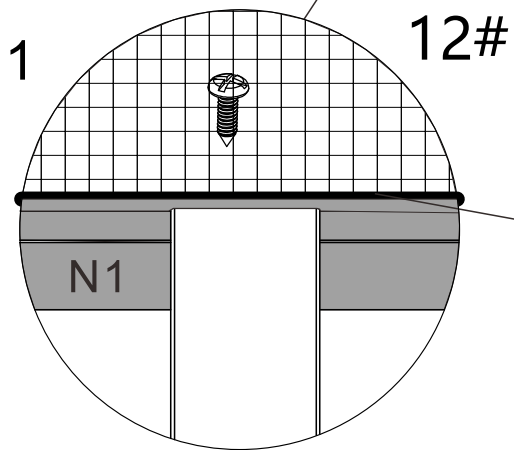
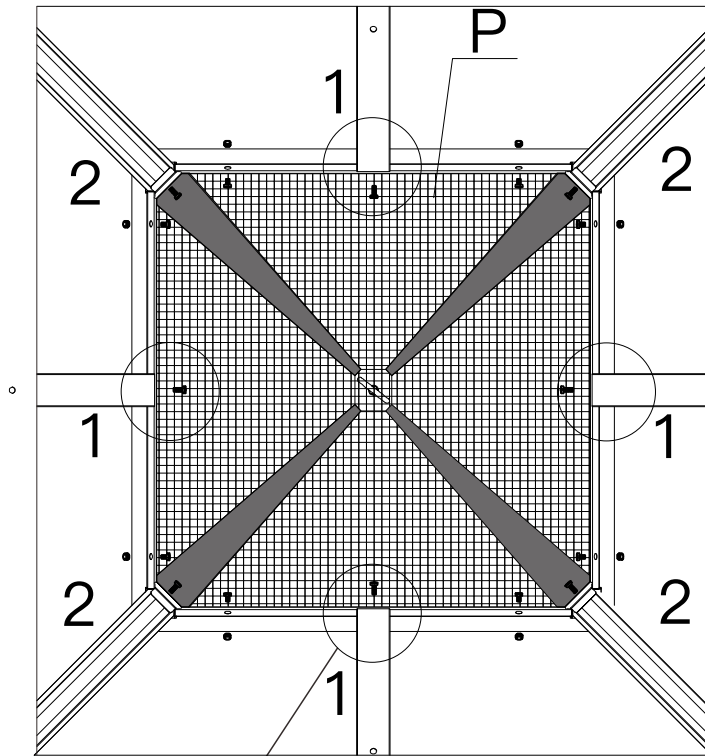


BOTTOM VIEW



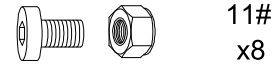
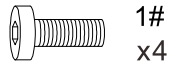
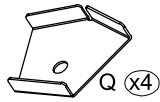
Please do not pull plastic bar out when installing it with #N on the middle roof tube.
Extend the Small Mesh #P.

12#
x4

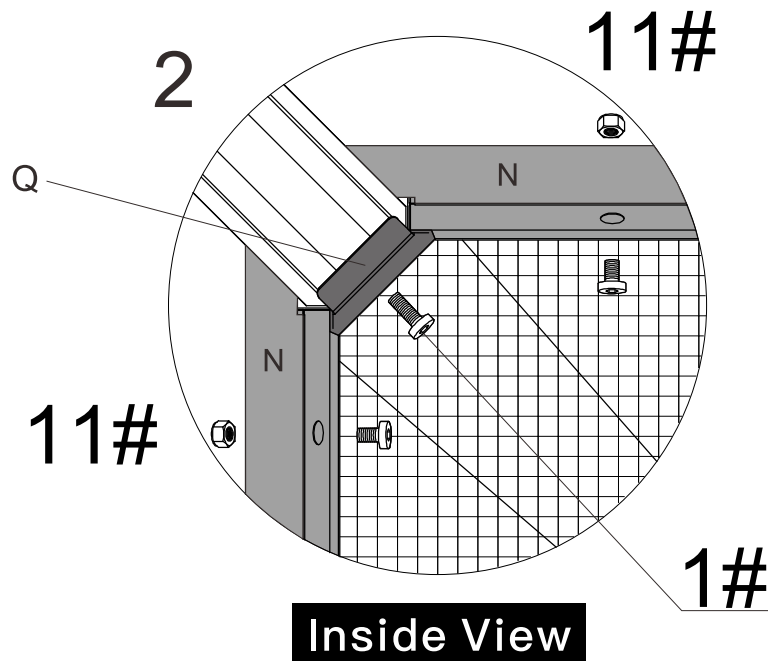
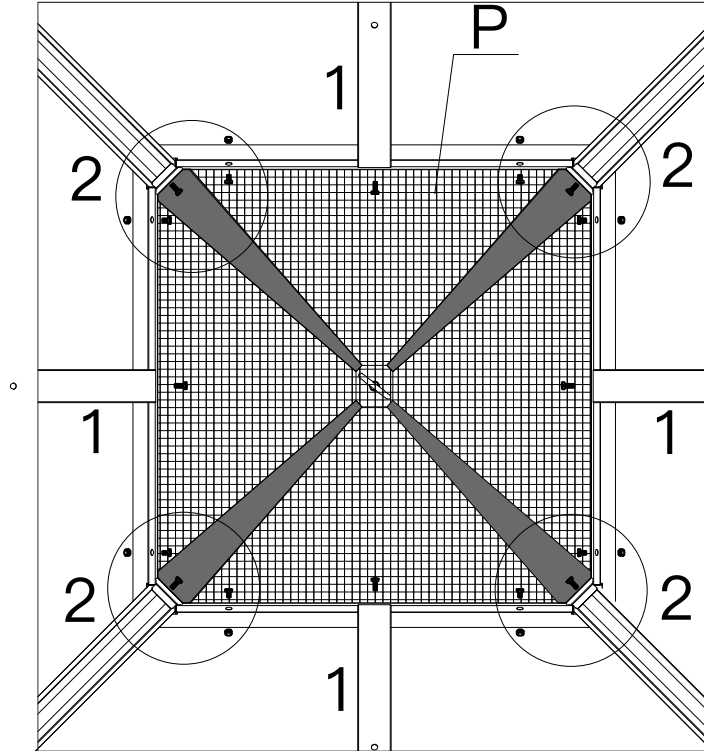


Plastic Bar
in the mesh

Secure the small mesh, plastic bar and finishing bar to the middle roof tube.

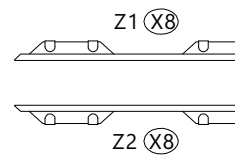
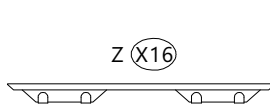
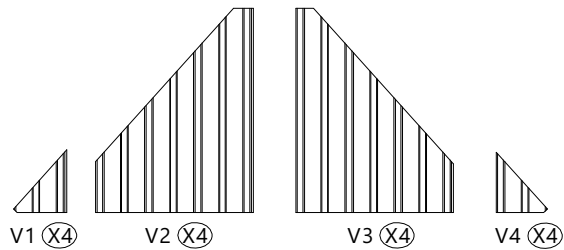


FINISHING END #Q ASSEMBLY:

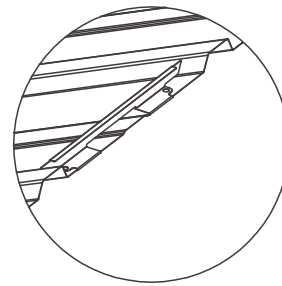
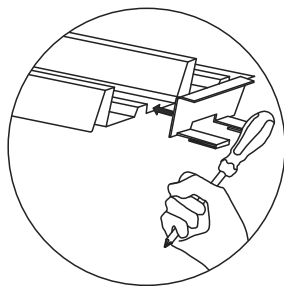
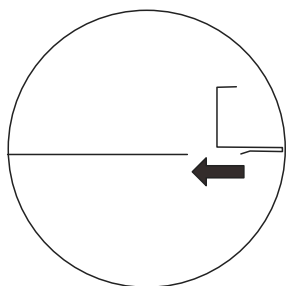
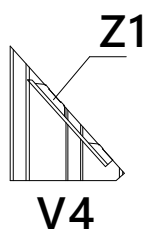
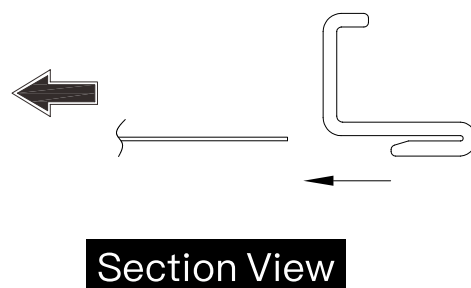
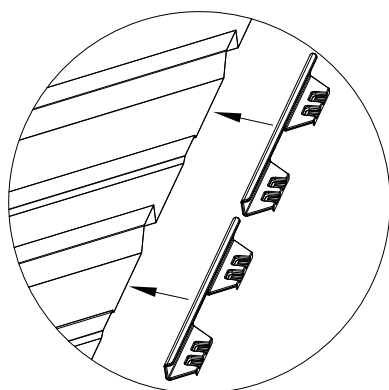
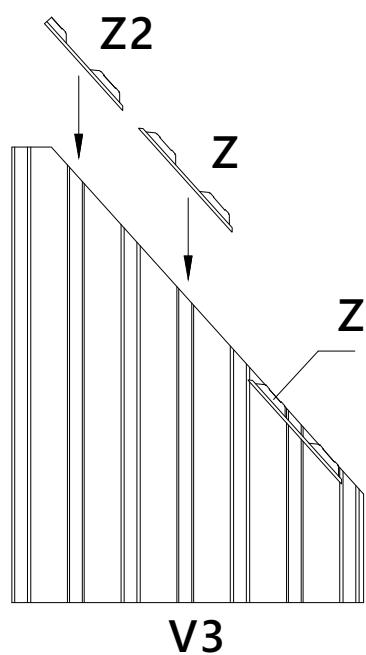
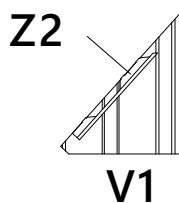
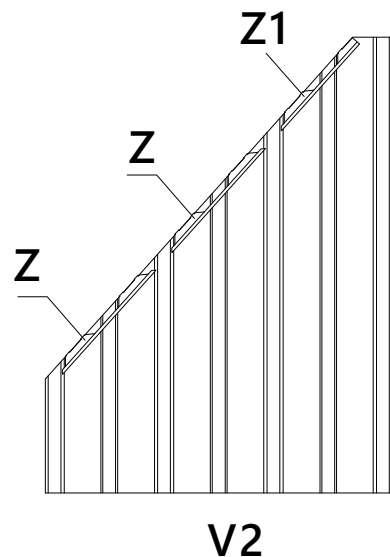


Inside View

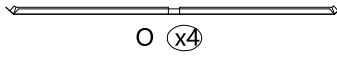
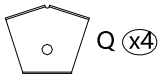
- (1) Use 8 bolts and nuts #11 to secure the small mesh, plastic bar to finishing bar.
- (2) Use 4 bolts #1 to secure the small mesh and finishing end #Q to the corner roof tube.



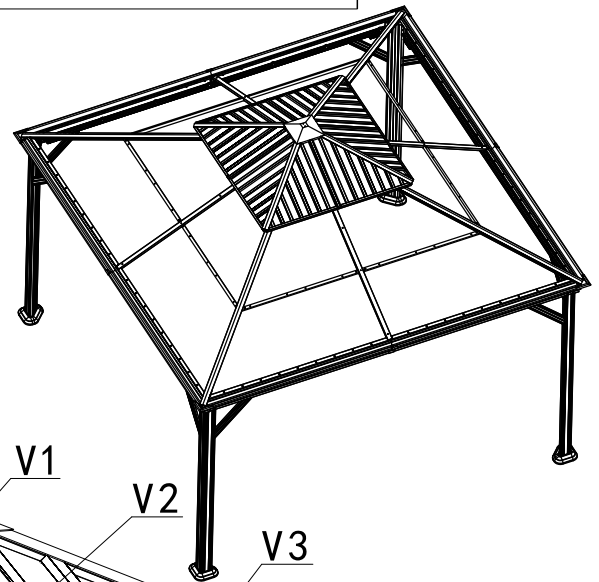
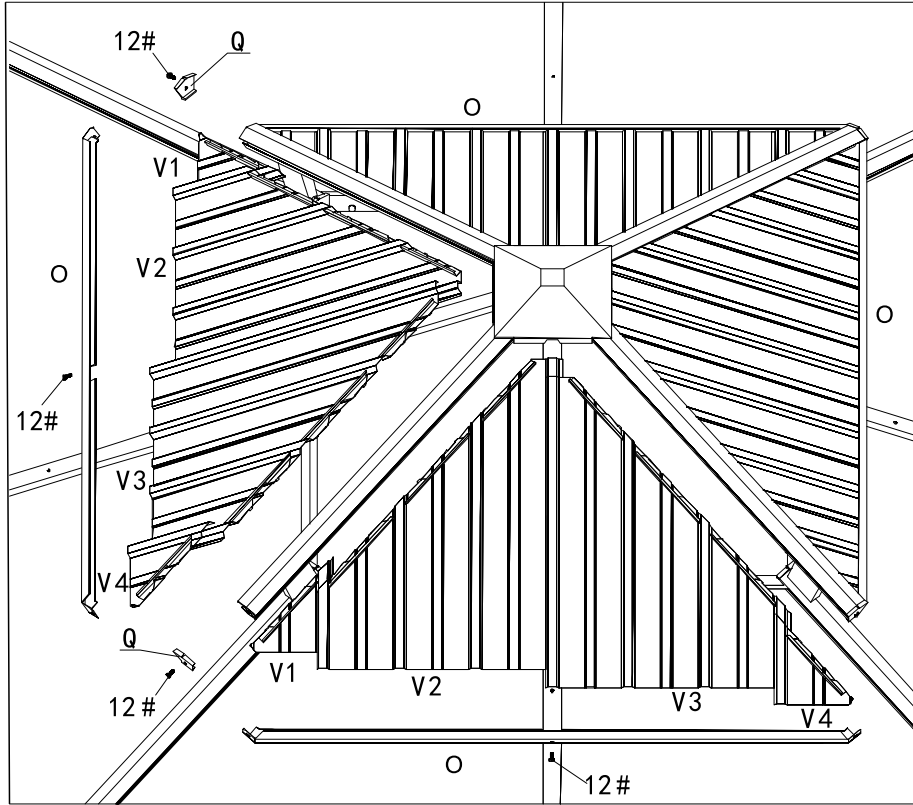
Please install Plastic Clips in strict accordance with the instructions.



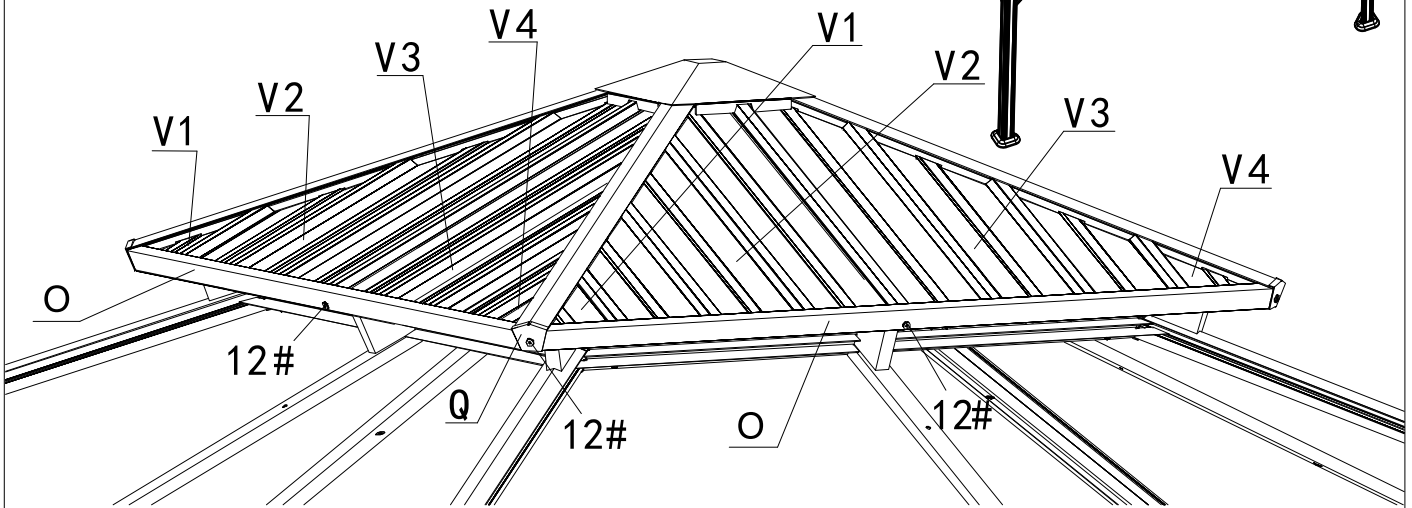
Attach Part #Z, #Z1 & #Z2 by lightly tapping with screwdriver.



SMALL ROOF PANEL AND FINISHING BAR ASSEMBLY:



If you can't install #V2 and V3, push the Outside Roof Cover up and try to insert them again.

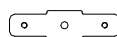




U x8



U3 x4

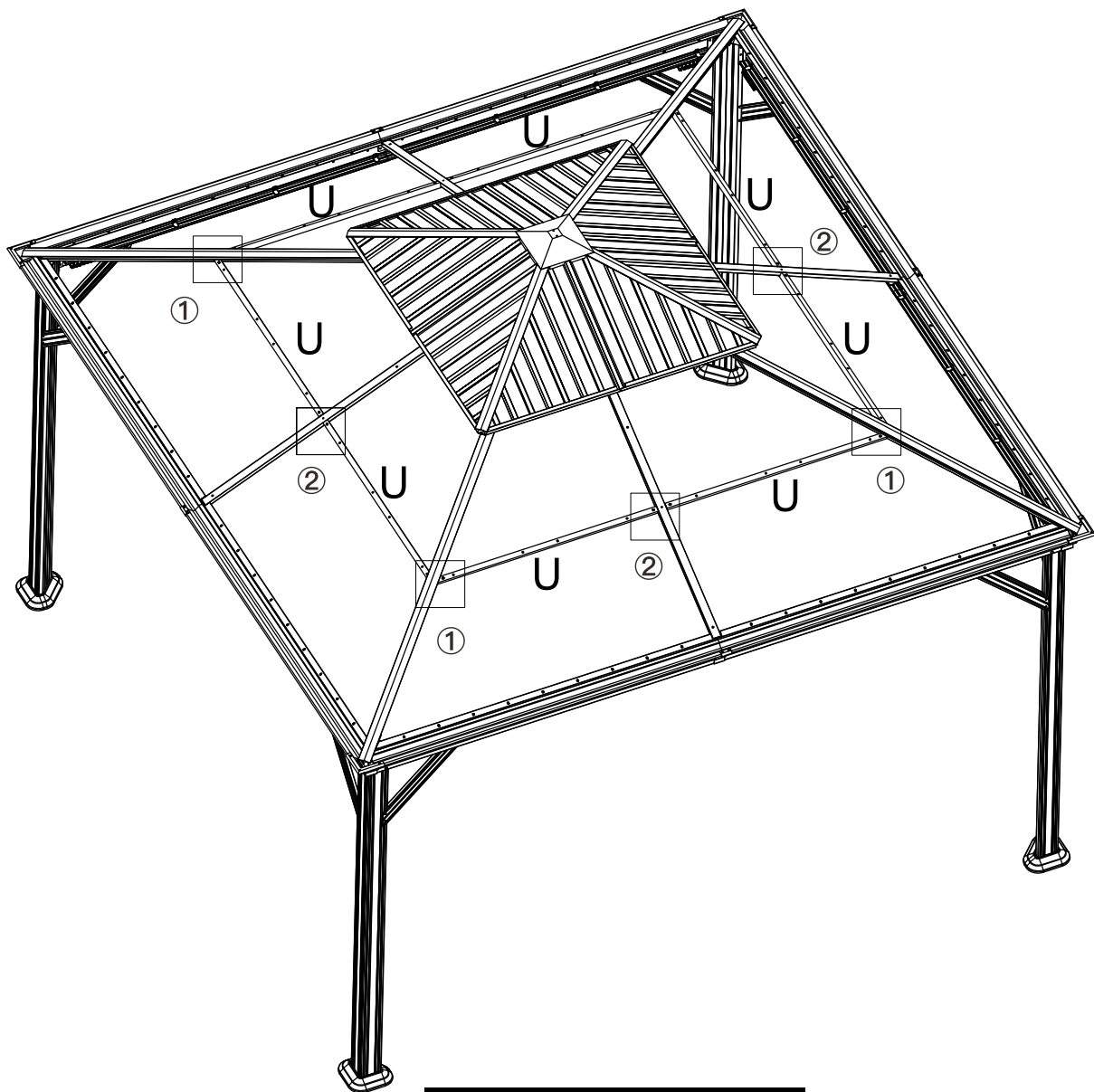


U4 x4

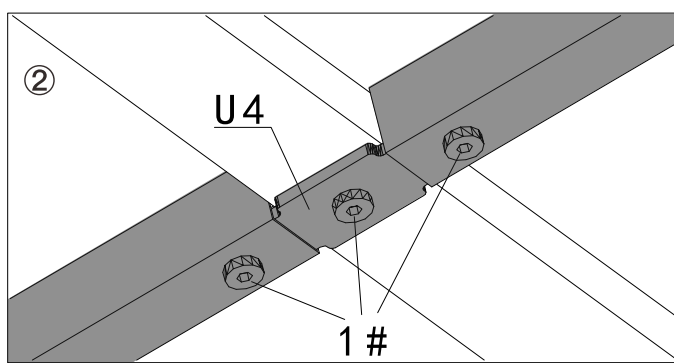
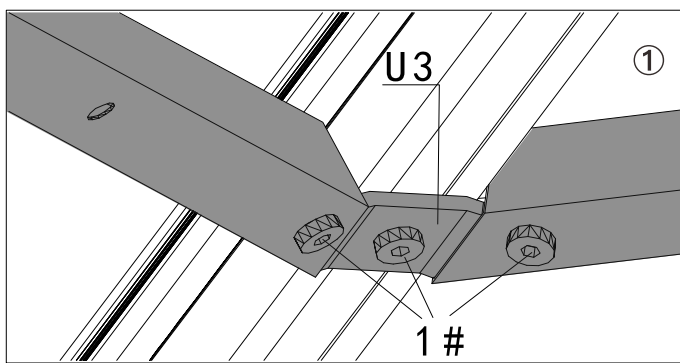


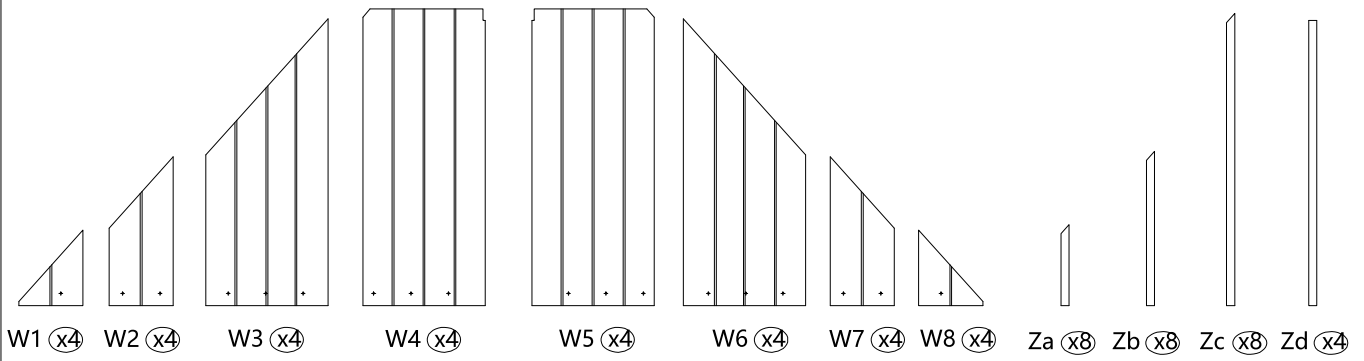
1#
x24

SOLIDIFYING BAR ASSEMBLY:

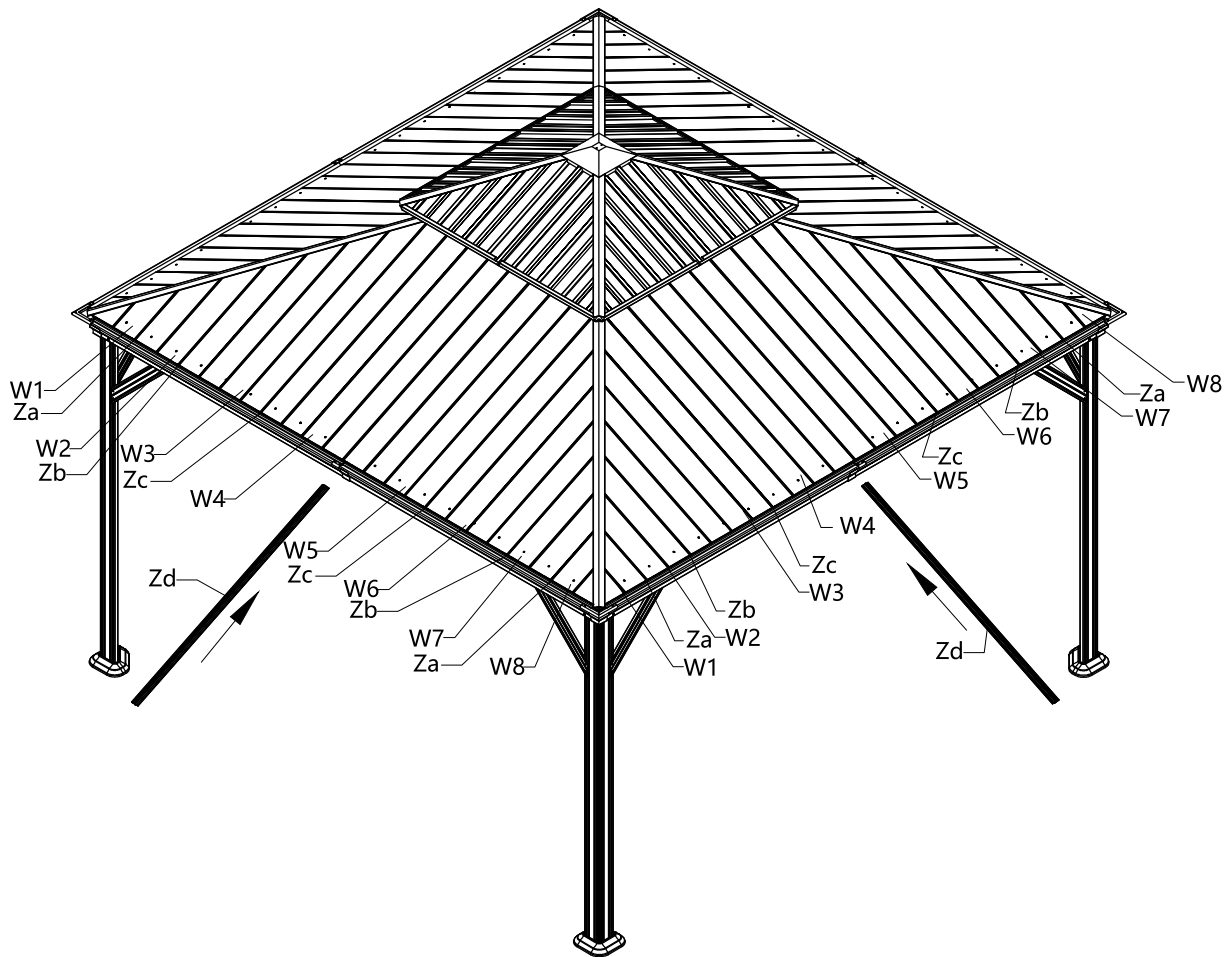


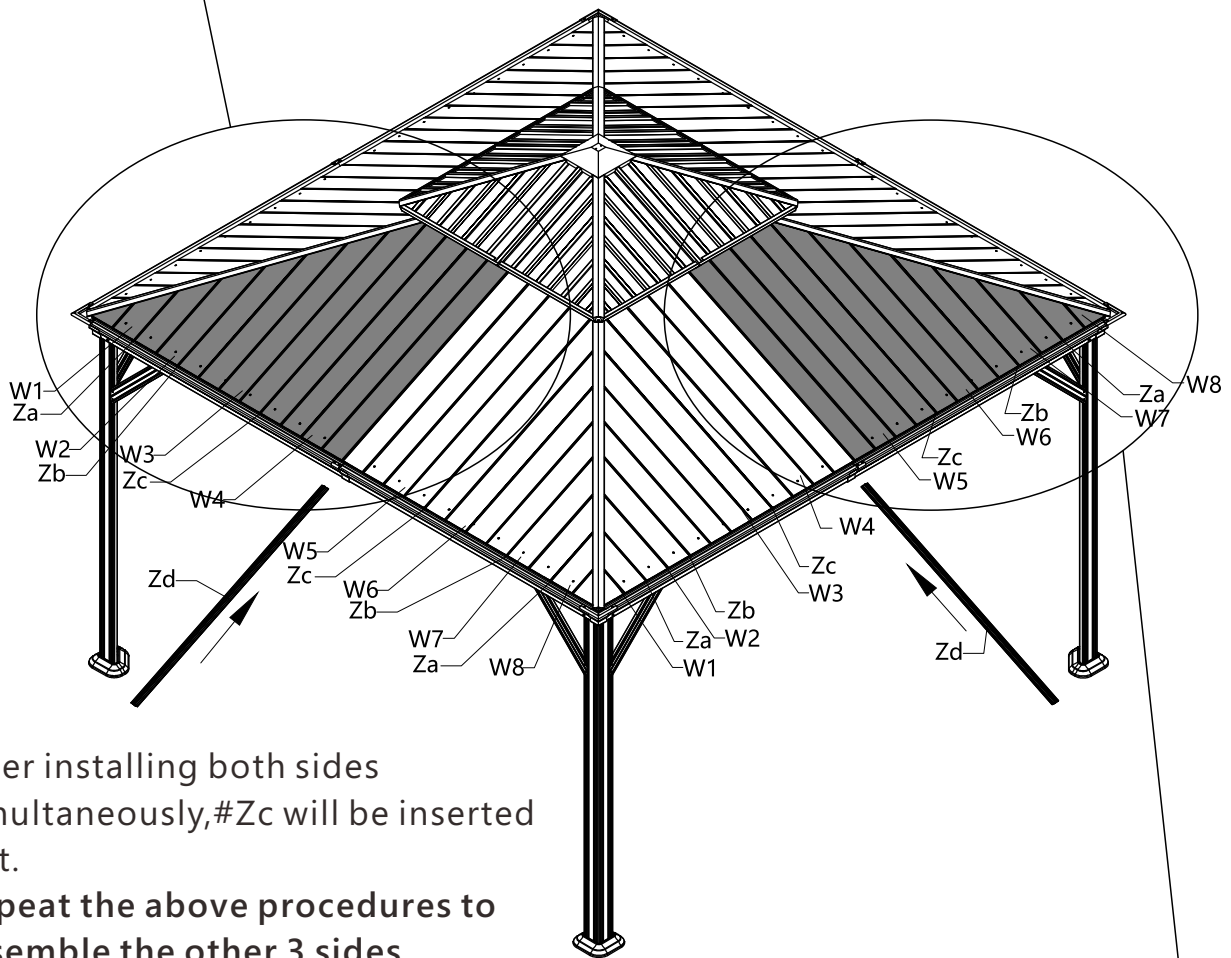
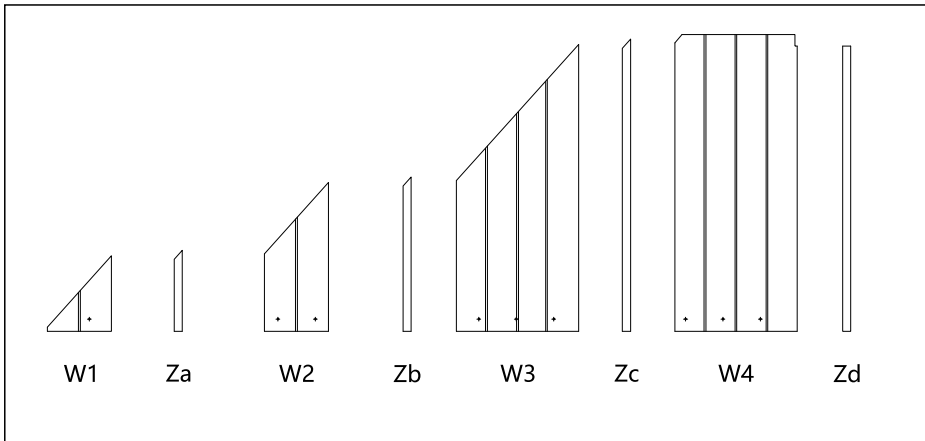
Inside View



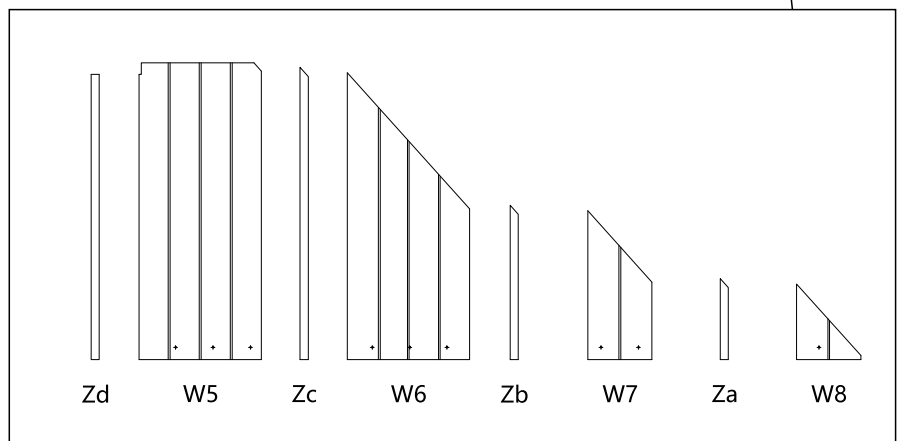


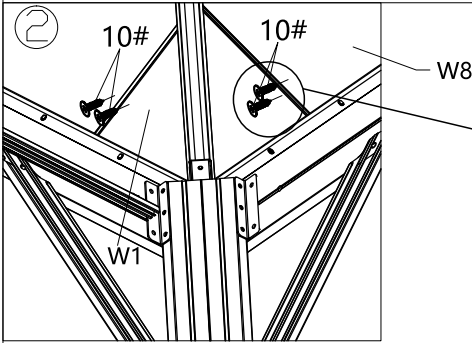
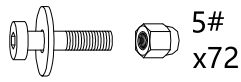
RESIN ROOF ASSEMBLY:



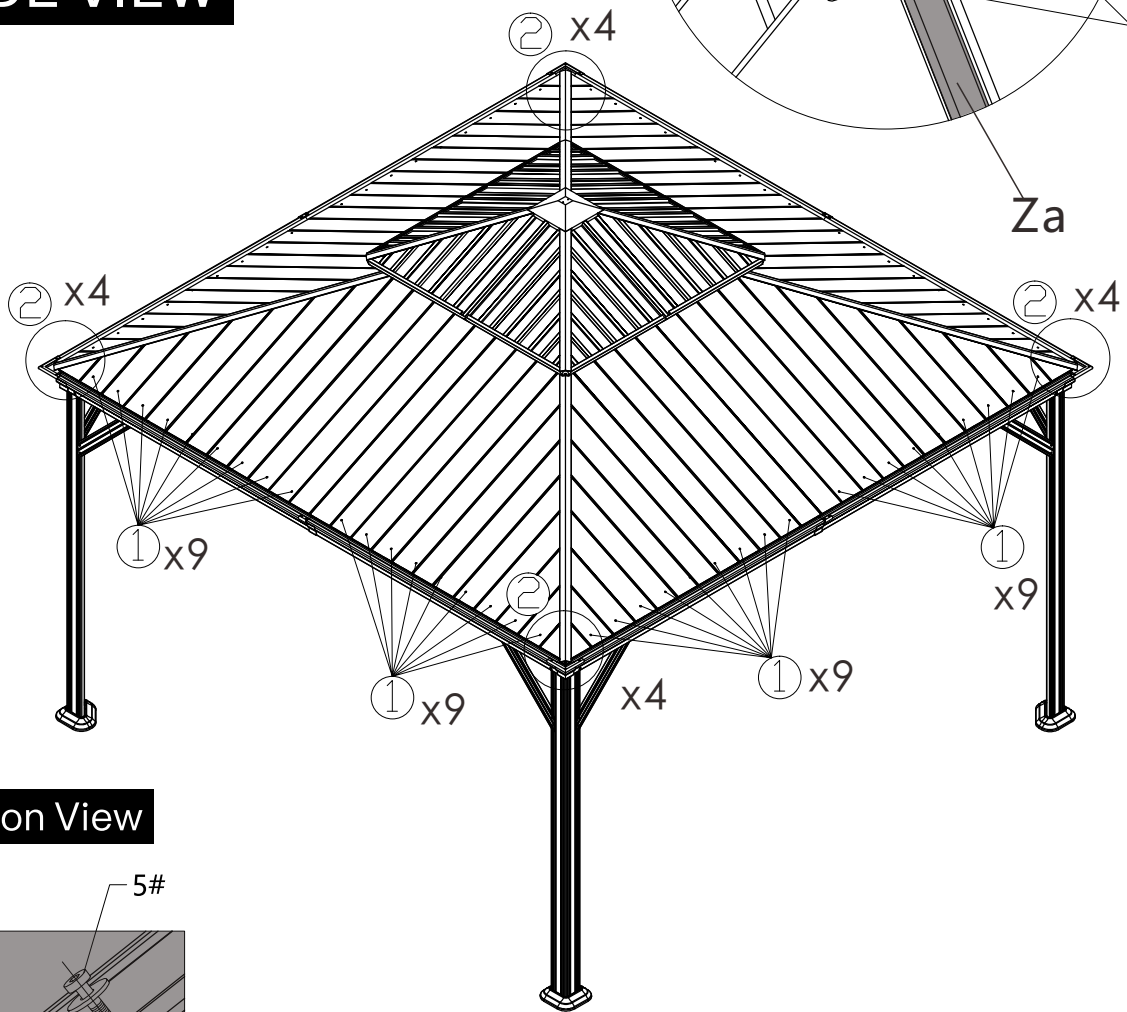
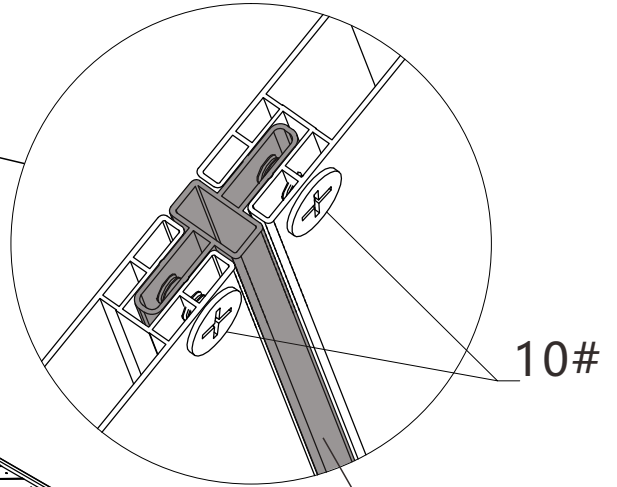


After installing both sides simultaneously, #Zc will be inserted last.
 Repeat the above procedures to assemble the other 3 sides.

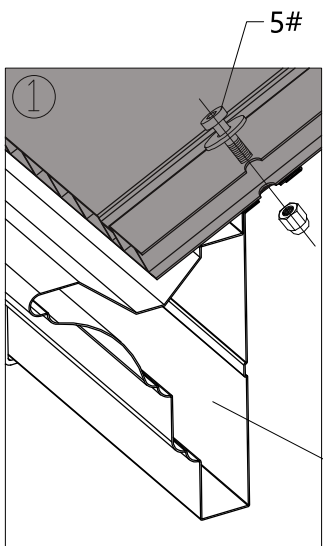




INSIDE VIEW



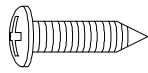
Section View



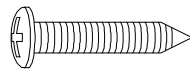
- ①: Use bolts #5 to secure the roof panel to the beam.
- ②: Use 4 screws #10 to secure the roof panels to the connecting rods #Za.

Repeat the above procedures to assemble the other 3 sides.

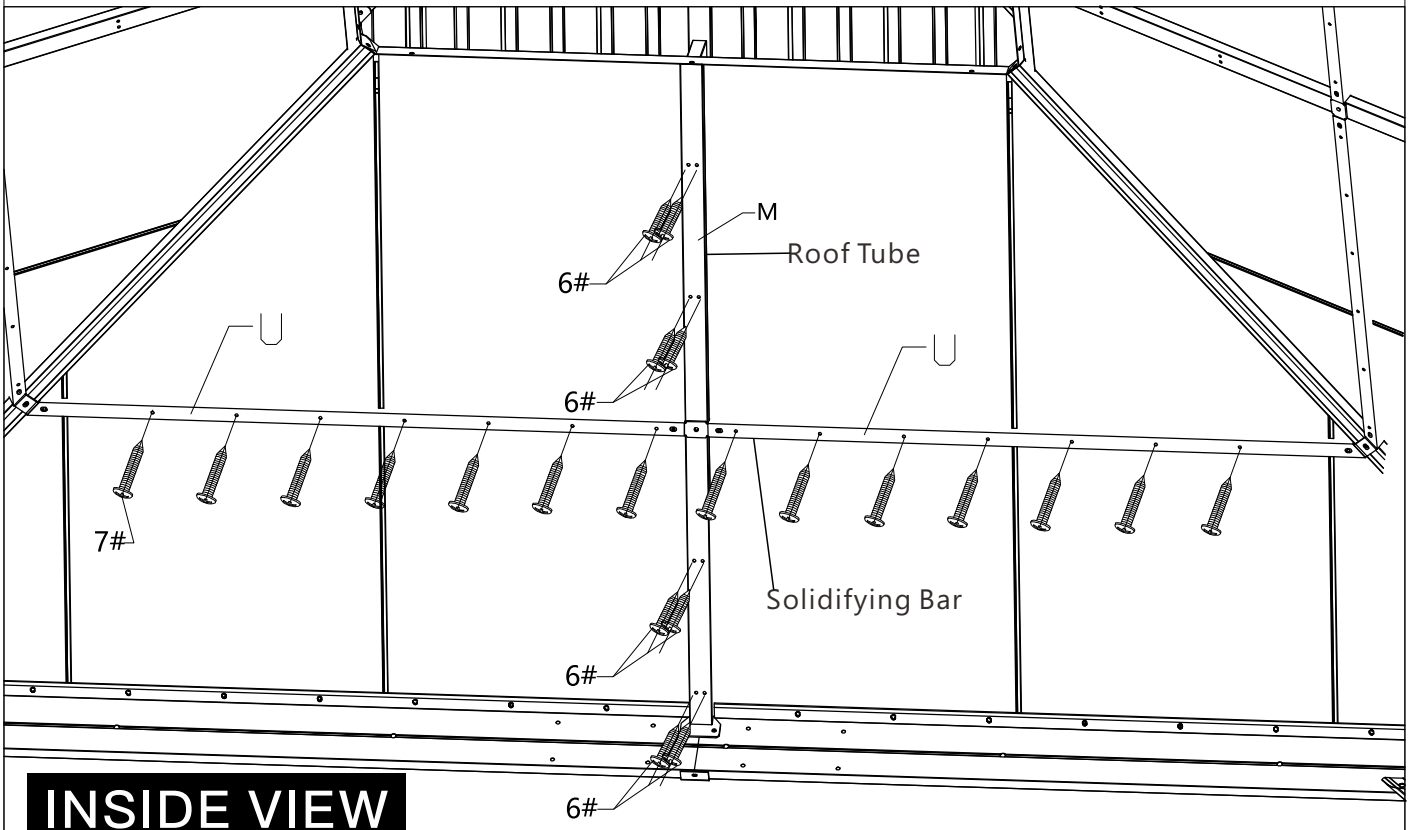
B1/B2 (Beam)



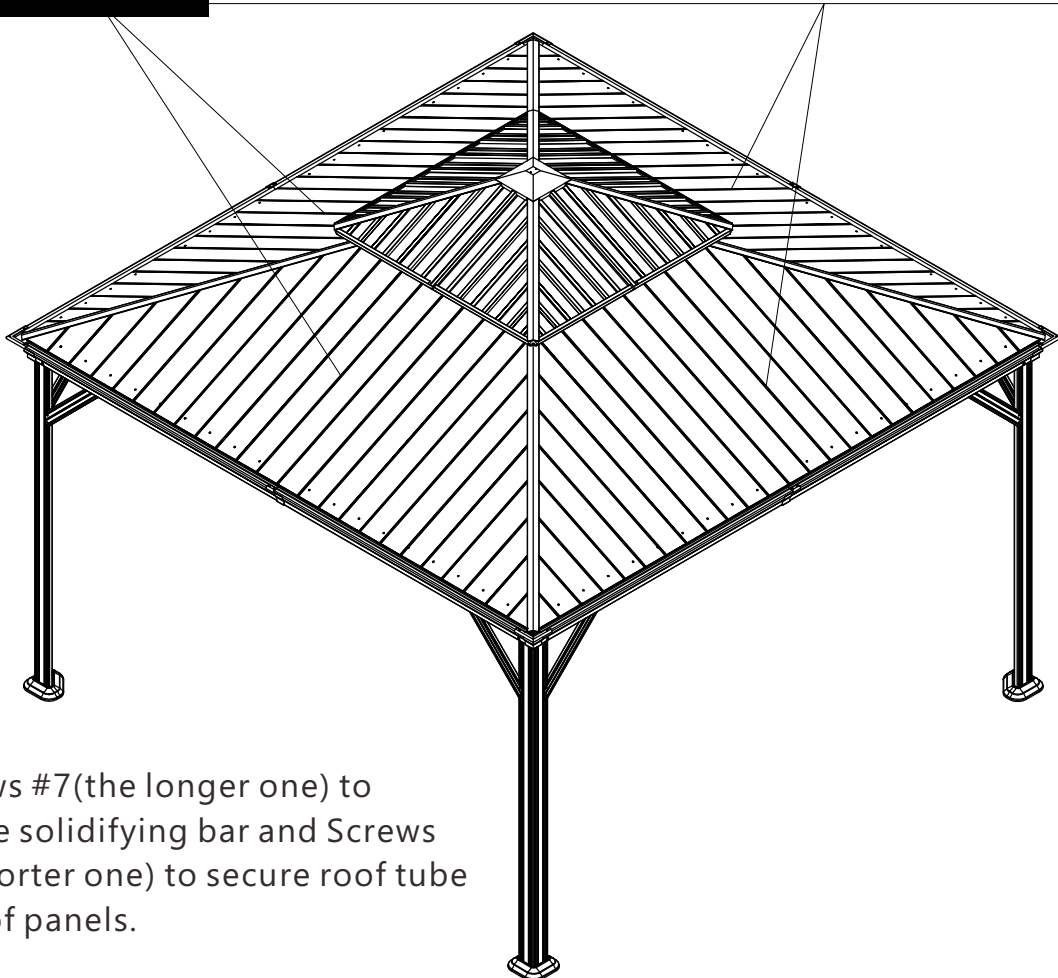
6# x32



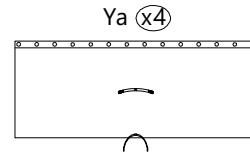
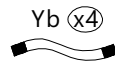
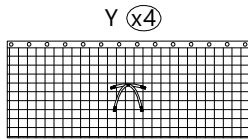
7# x56



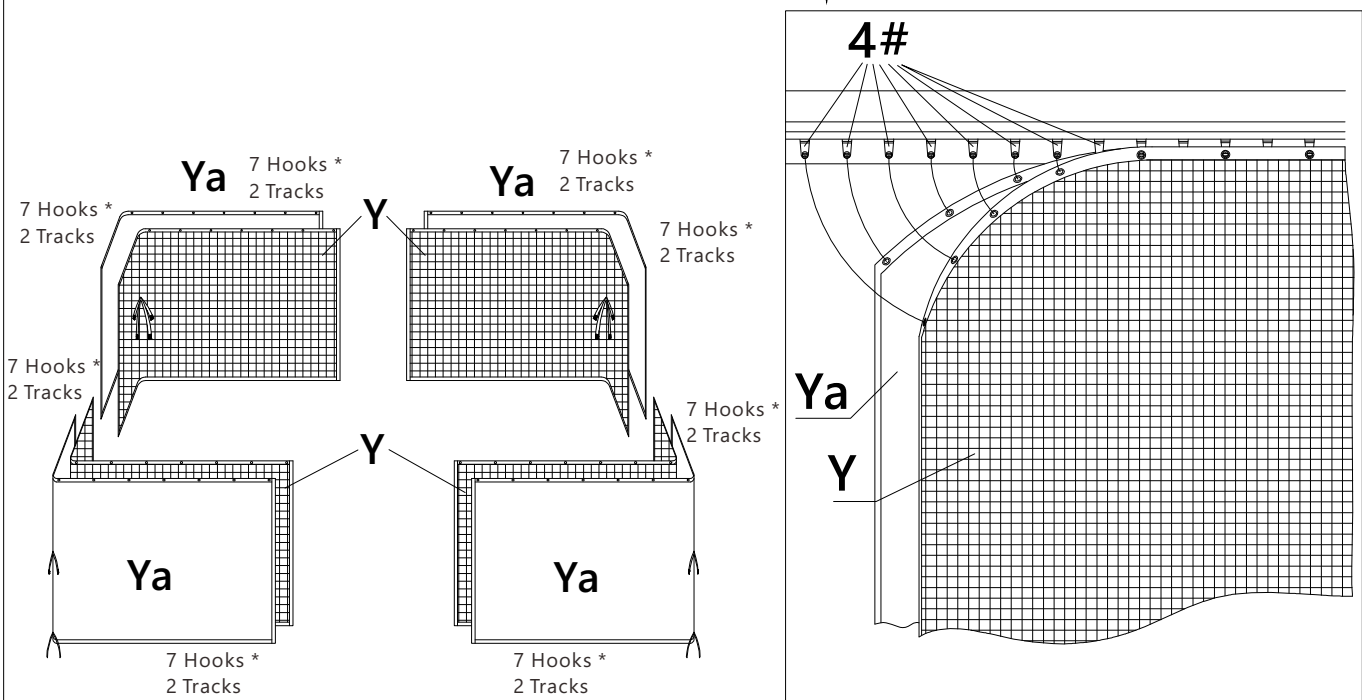
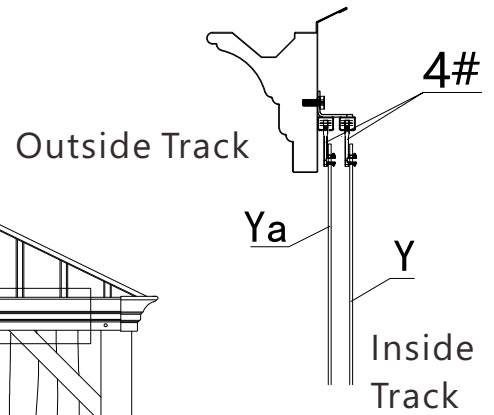
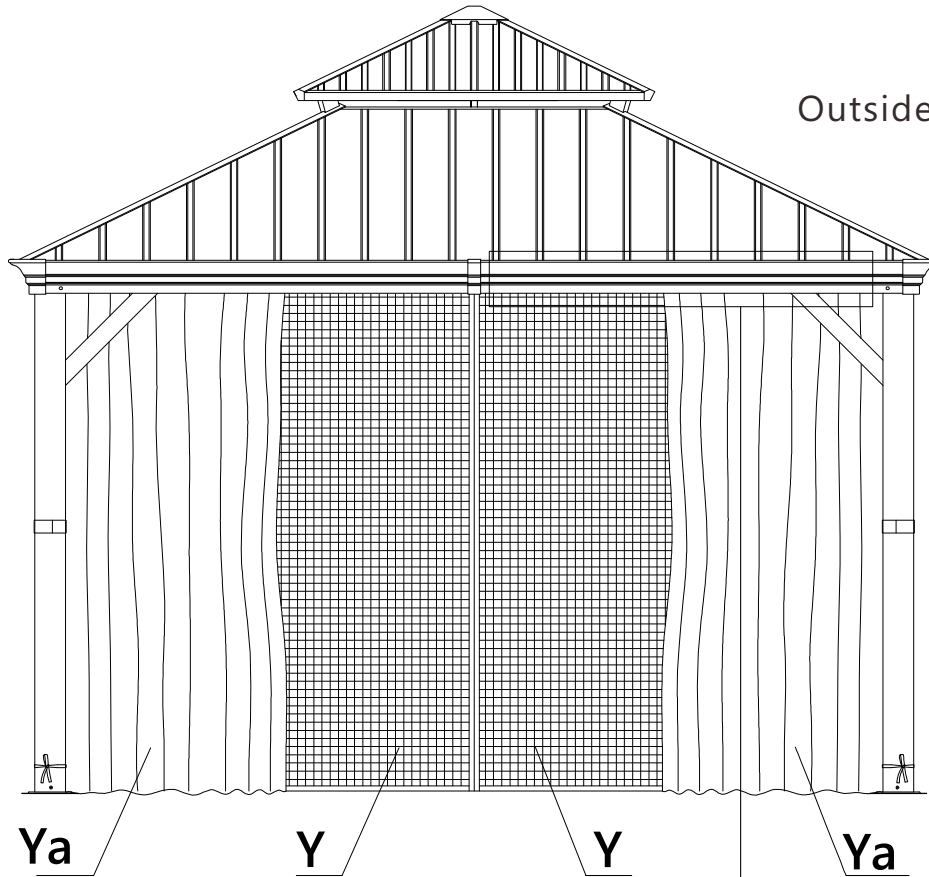
INSIDE VIEW



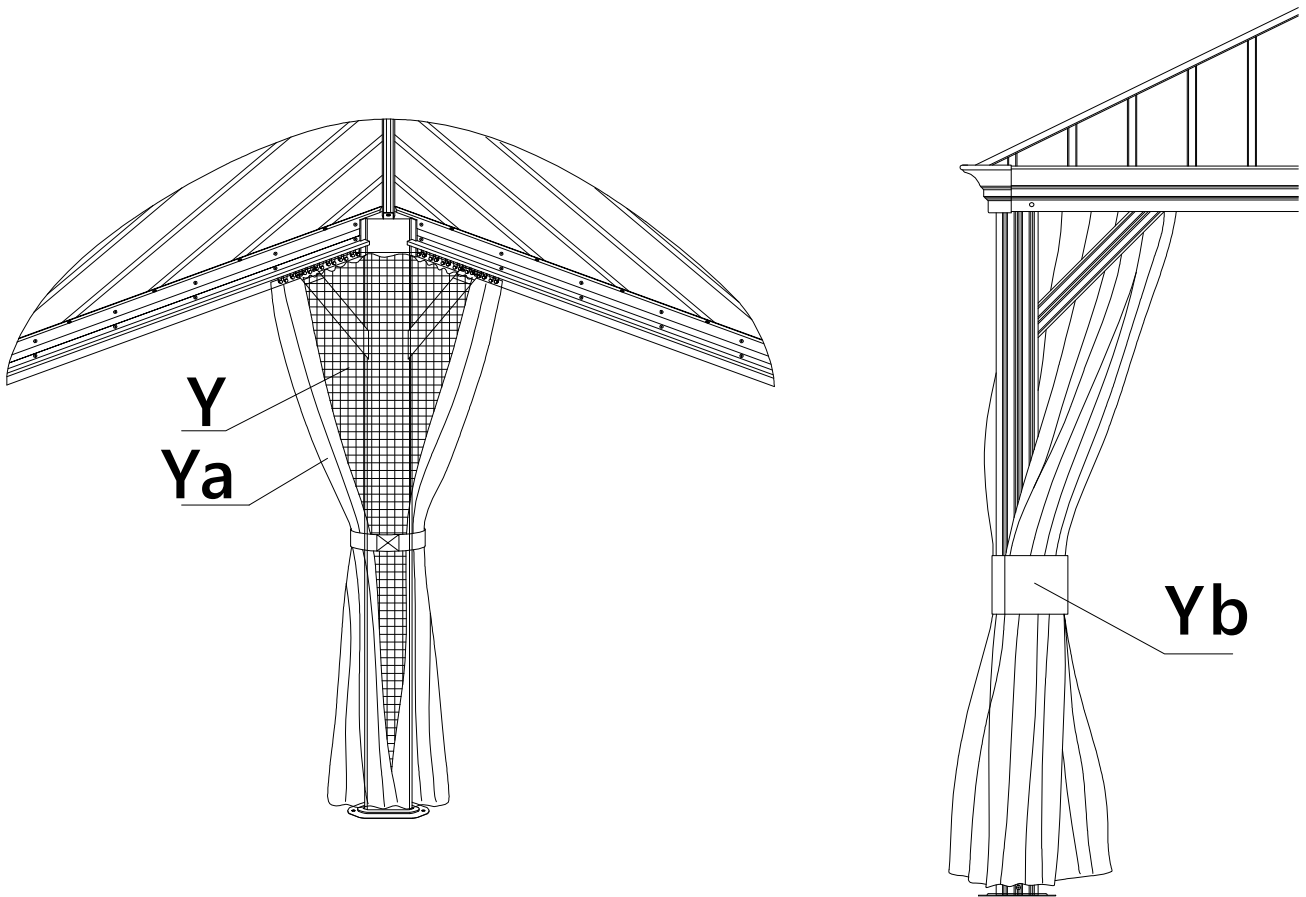
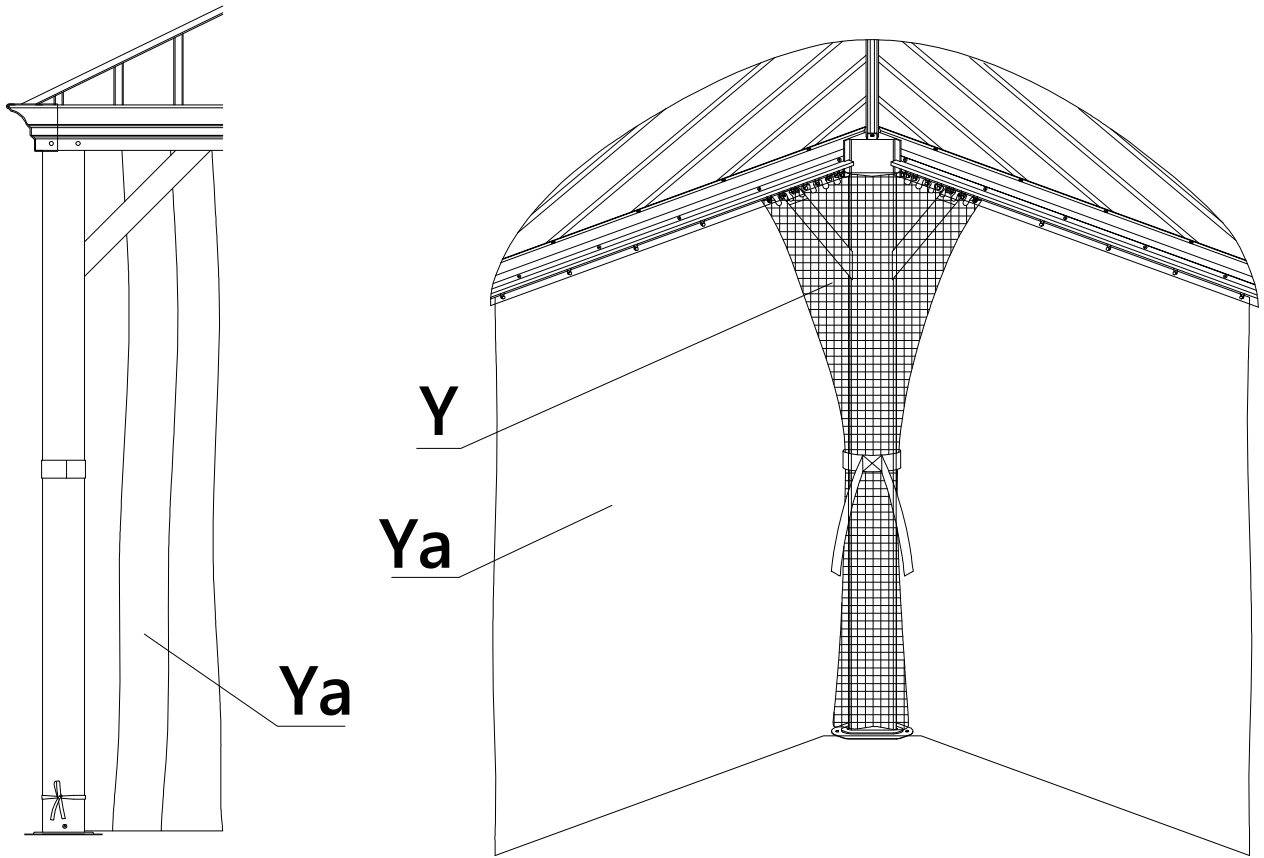
Use Screws #7(the longer one) to secure the solidifying bar and Screws #6(the shorter one) to secure roof tube to the roof panels.



MOSQUITO NETTING AND CURTAINS ASSEMBLY:



Please open your gazebo curtain when it is incoming over 30 mph wind, and tie with Strap #Yb.





Thanks for your purchase.

At domi outdoor living, we believe in our products.

That's why we provide a 12-month warranty and friendly, easy-to-reach after-sales service. So, if you have any questions about our product or assembly, please feel free to contact us. We are here for you.

Support:  

After-sales contact email:

service@domioutdoorliving.com

Business cooperation contact email:

marketing@domioutdoorliving.com

Please have your order ID available if you reach out for support.

If you have damaged parts or product, please send us photos for an immediate response.