

CARE AND MAINTENANCE

Spot clean using a mild water-free solvent. Only a professional cleaner should undertake a complete overall cleaning.

The use of steam or water-based cleaners may cause excessive shrinking or staining.











NOTICE

* Please make sure that you have all parts indicated before you begin assembly of this item

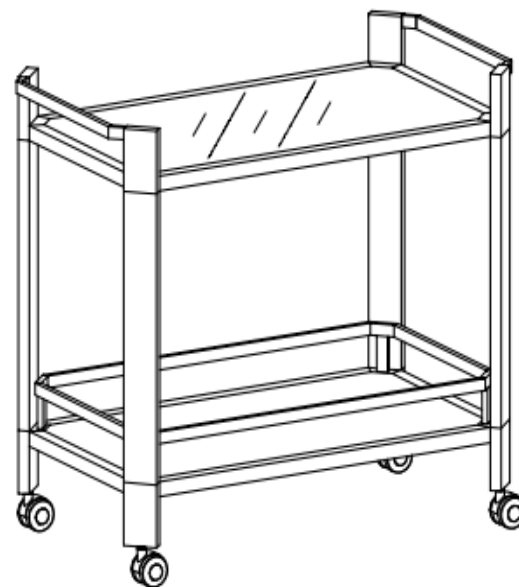
* This item should be assembled on a soft surface to prevent scratching the finish during assembly

* This item may require periodic tightening

Part List and Hardware List

PIECE	DESCRIPTION	PICTURE	QUANTITY
A	FRAME		1X
B	FRAME		1X
C	ACRYLIC LEG		4X
D	GLASS		1X
E	SOCKET HEAD SCREW		8X (M8X15mm)
F	ALLEN KEY		1X
G	WHEEL		4X
H	WRENCH		1X
I	RUBBER MAT		8X
J	MIRROR		1X

Product Dimensions:32"W x 17" D x 31.5" H



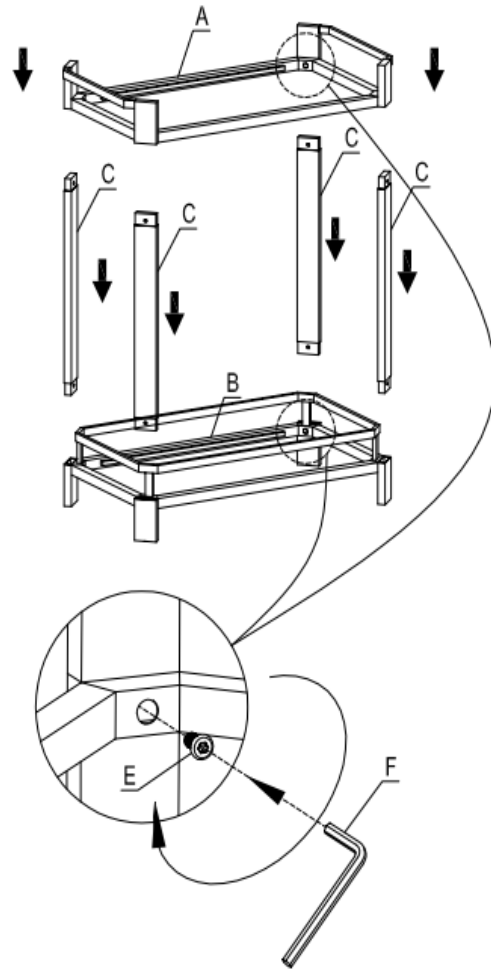
PREPARATION

Before beginning assembly of product, make sure all parts are present. Compare parts with package contents list and hardware contents list.

If any part is missing or damaged, do not attempt to assemble the product.

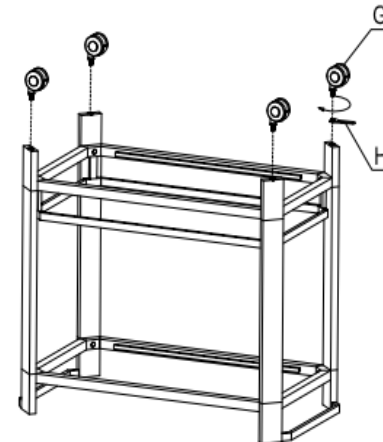
Estimated Assembly Time: 30 minutes.

Step 1



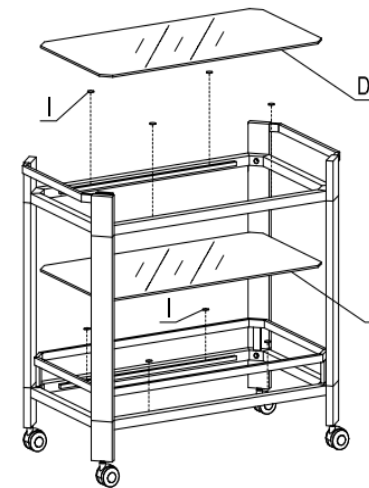
1. Assemble 4 acrylic legs onto the bottom frame (Part B)
2. Cover the top frame (Part A) onto the acrylic legs, fix the screws by allen key (Part F)

Step 2



Use the key lock the wheels into the frame

Step 3



1. Put the rubber into the Frame
2. Put the mirror onto the bottom, put the glass onto the top frame