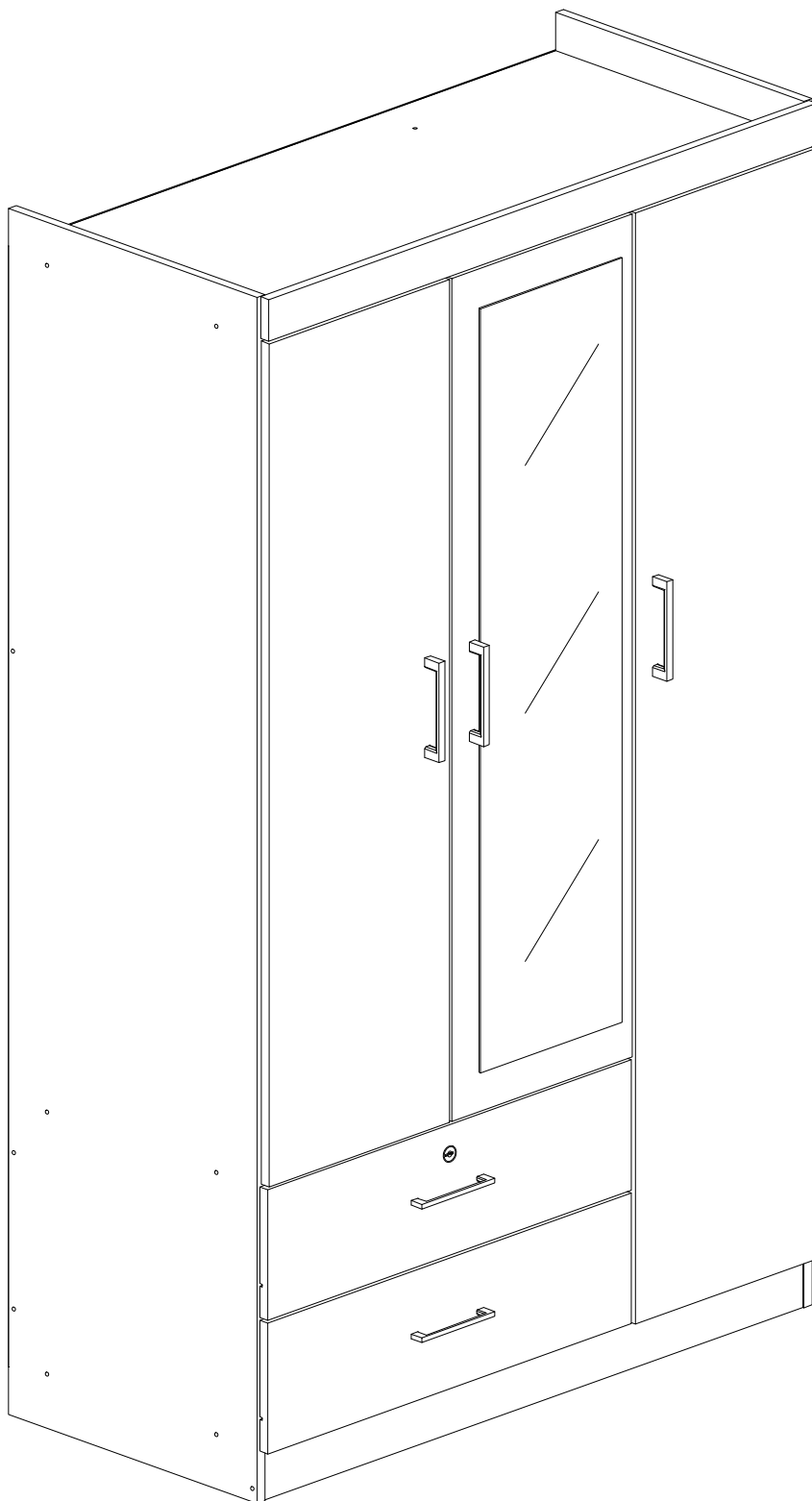


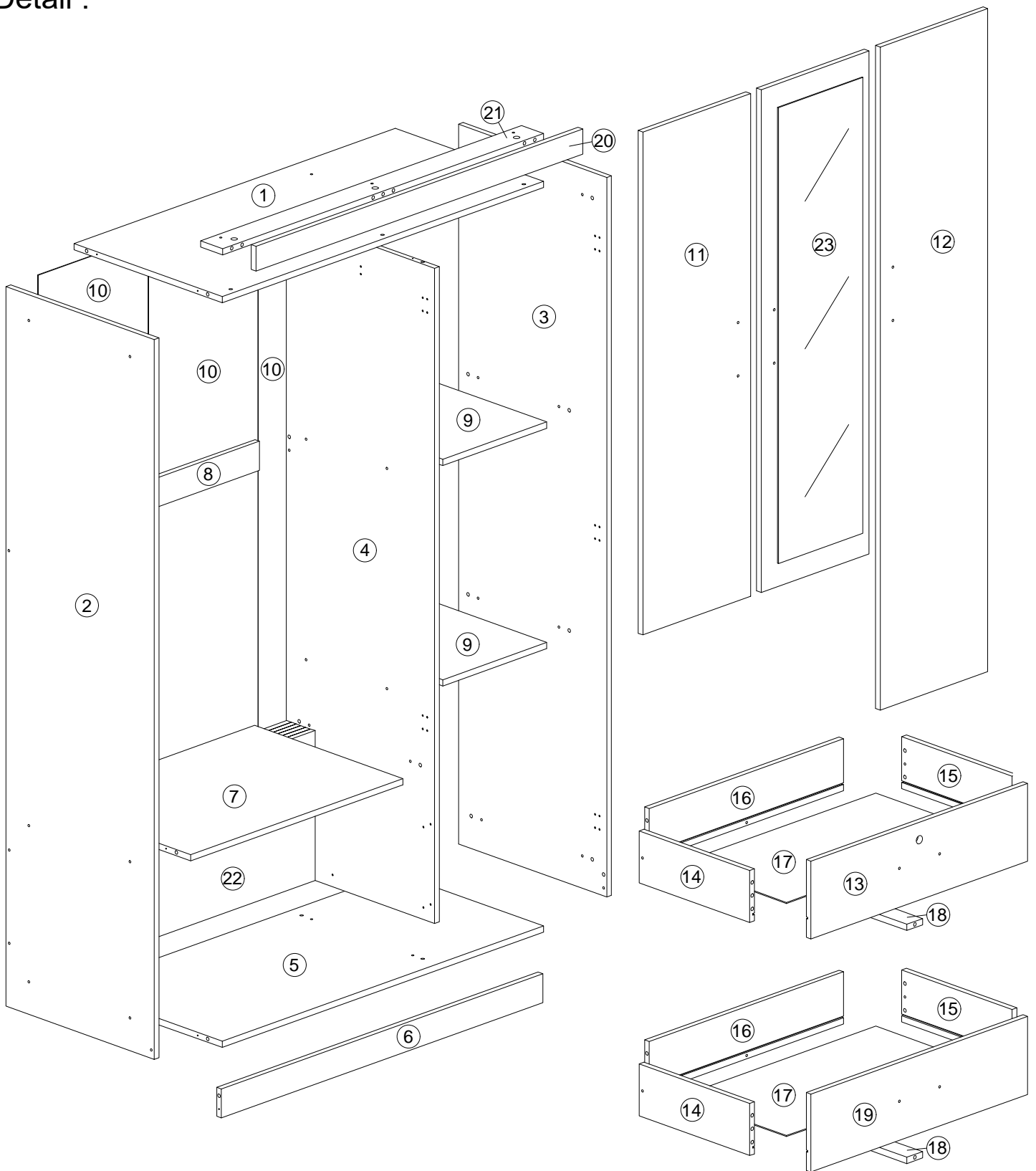
Assembly Instruction

SKU CODE : N708P404416 / N708P404417



Assembly Instruction

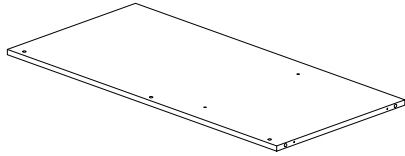
Detail :



Assembly Instruction

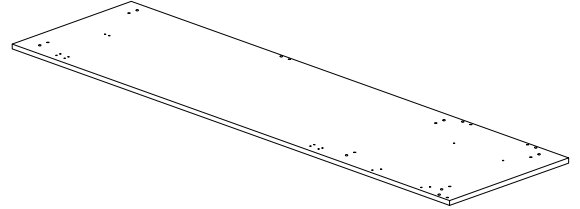
Part List (N708P404416)

① X 1



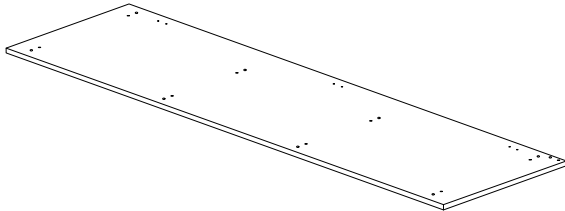
Top Panel

② X 1



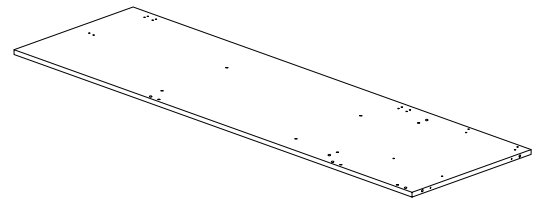
Side Left Panel

③ X 1



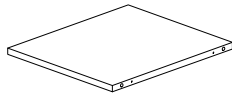
Side Right Panel

④ X 1



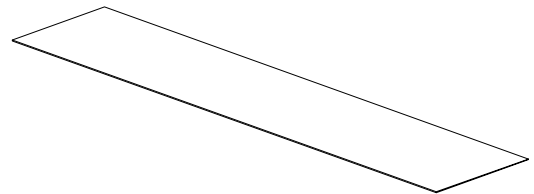
Center Panel

⑨ X 2



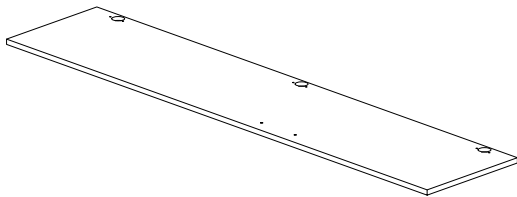
Partition
Small Panel

⑩ X 3



Back Panel

⑫ X 1



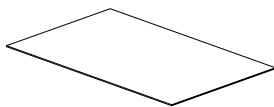
Door Panel - Big

⑭ X 2



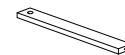
Drawer Side
Left Panel

⑰ X 2



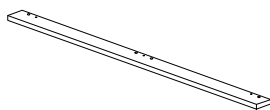
Drawer
Bottom Panel

⑱ X 2



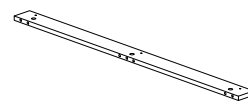
Drawer Support Panel

⑳ X 1



Front Panel

㉑ X 1

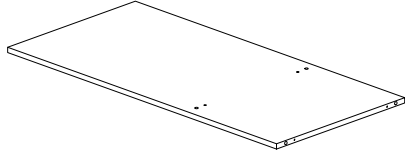


Top Support
Panel

Assembly Instruction

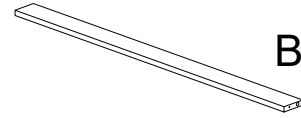
Part List (N708P404417)

⑤ X 1



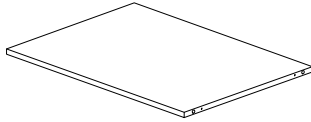
Bottom Panel

⑥ X 1



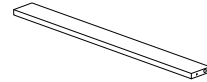
Bottom Support Panel

⑦ X 1



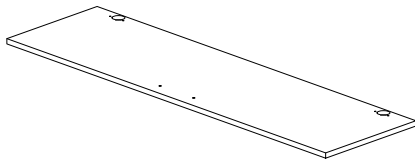
Partition Big Panel

⑧ X 1



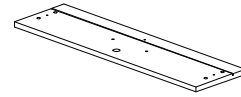
Back Support Panel

⑪ X 1



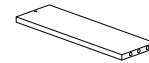
Door Panel - Small Left

⑬ X 1



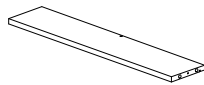
Drawer Up Front Panel

⑮ X 2



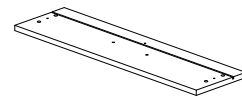
Drawer Side Right Panel

⑯ X 2



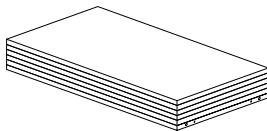
Drawer Back Panel

⑰ X 1



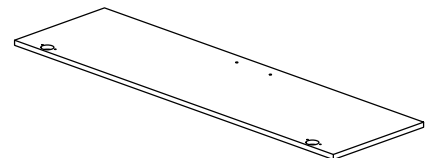
Drawer Down Front Panel

⑳ X 1



Back Panel - Small

㉓ X 1




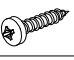


Door Panel - Small Right (Mirror)

Assembly Instruction

Hardware List (N708P404417)

No.	SHAPE	DESCRIPTION	Qty.
A		8x25mm Dowel (Wood)	52Pcs
B		8x20mm Dowel (Wood)	3Pcs
C		15mm Myfix Minifix	9Sets
D		M3.5x16mm Screw	80Pcs
E		M4x45mm Screw	38Pcs
F		V Bracket	2Pcs
G		L Bracket	1Pc
H		Handle KT179.128mm	5Pcs
I		M4x28mm Screw	13Pcs
J		Hinges 2/8	7Pcs
K		5/8 Nail With Pin	6Pcs
L		6/8 Power Pin	50Pcs
M		Drawer Lock	1Pc
N		Drawer Lock Support H10.9	1Pc
O		Drawer Slide (350mm)	2Sets
P		Aluminium Pipe(667mm)	1Pc
Q		Sticker	19Pcs

Anti Tipping Hardware (N708P404413)

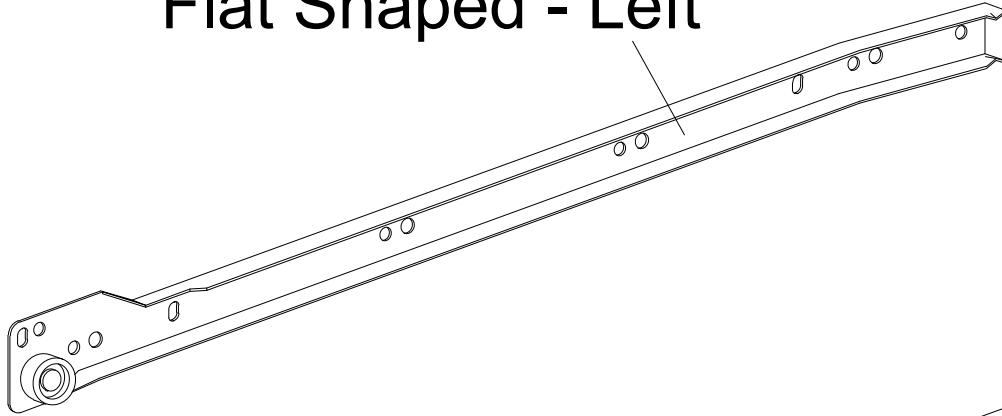
No.	SHAPE	DESCRIPTION	Qty.
a		Mounting Bracket	2Pcs
b		TP 6# x 5/8" Screw	1Pc
c		TP 8# x 2" Screw	1Pc
d		Restraint Strap	1Pc

Assembly Instruction

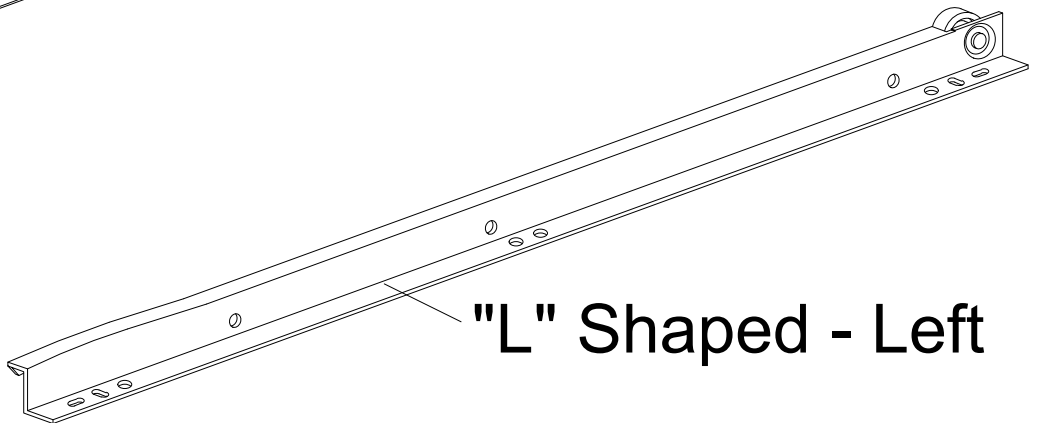
Left Drawer Silde (O)

Back

Flat Shaped - Left



"L" Shaped - Left

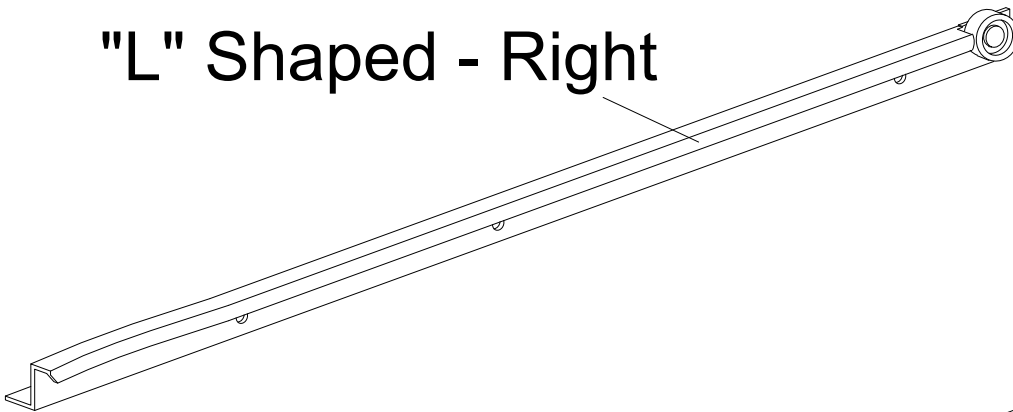


Front

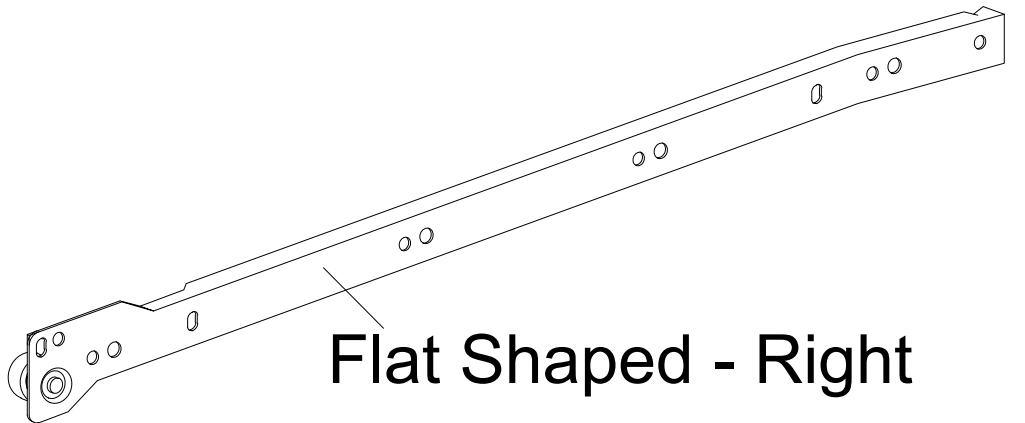
Right Drawer Silde (O)

Back

"L" Shaped - Right



Flat Shaped - Right

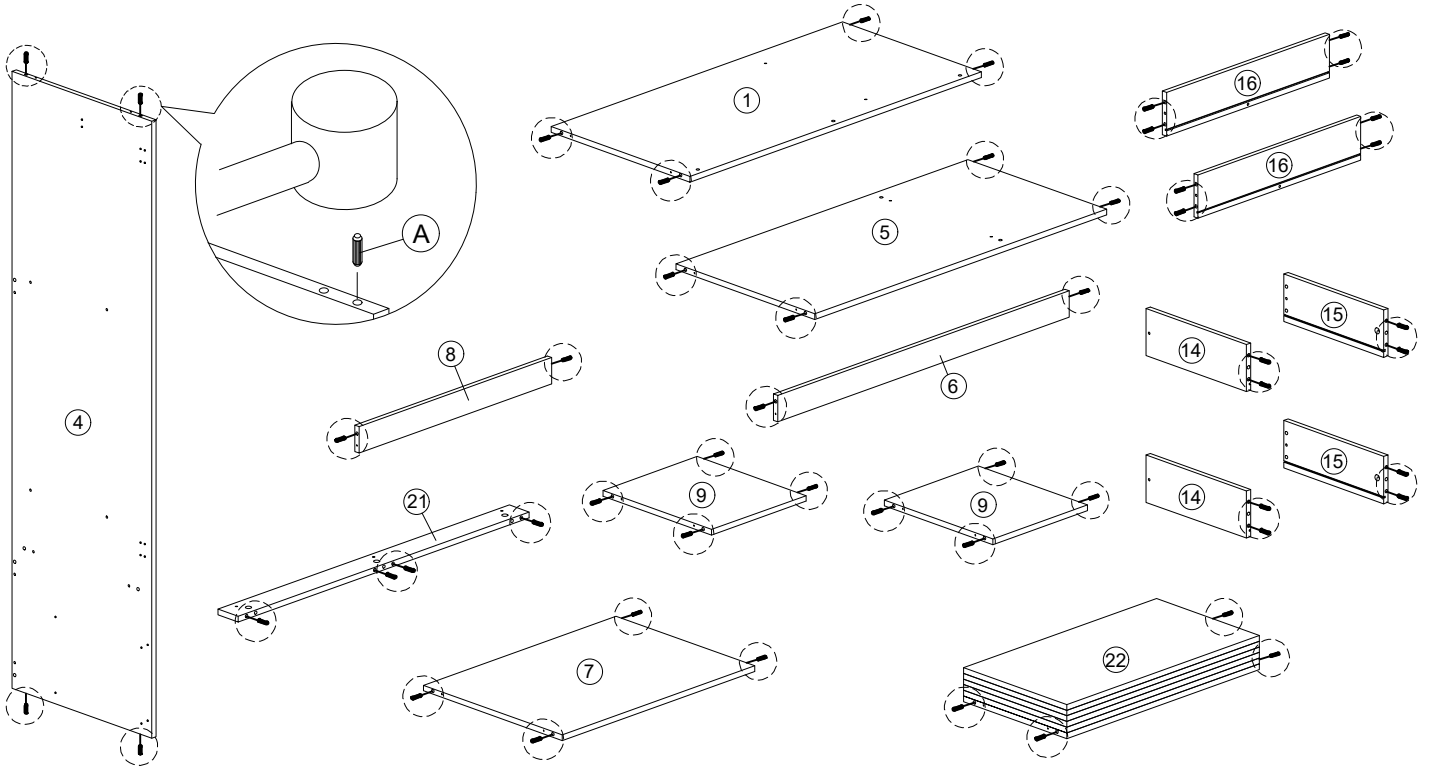


Front

Assembly Instruction

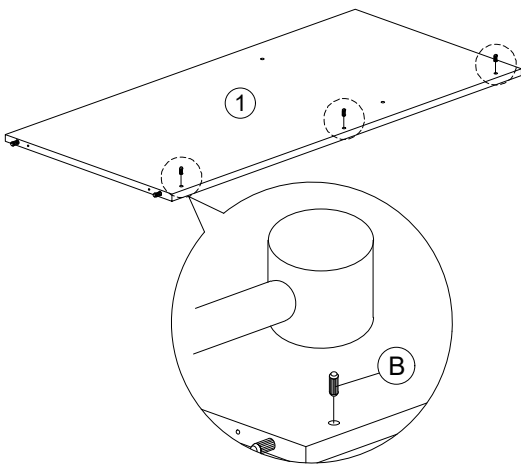
Step 1

A		8x25mm Dowel (Wood)	52Pcs
---	---	---------------------	-------



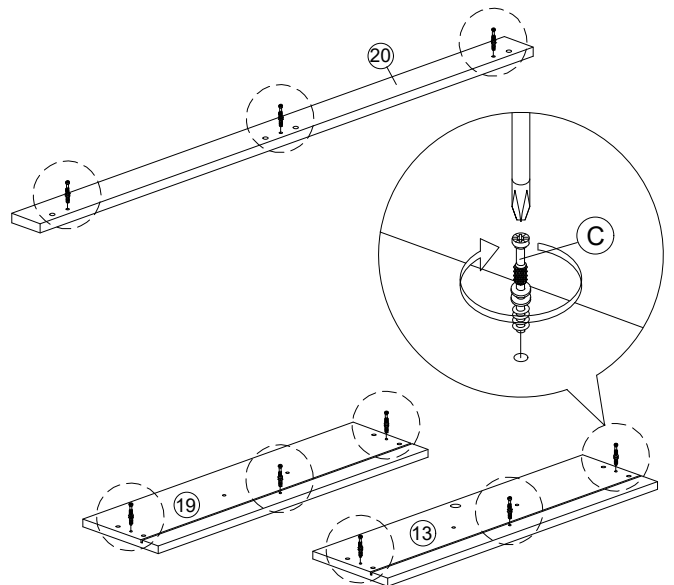
Step 2

B		8x20mm Dowel (Wood)	3Pcs
---	---	---------------------	------



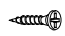

Step 3


C		Myfix	9Pcs
---	---	-------	------

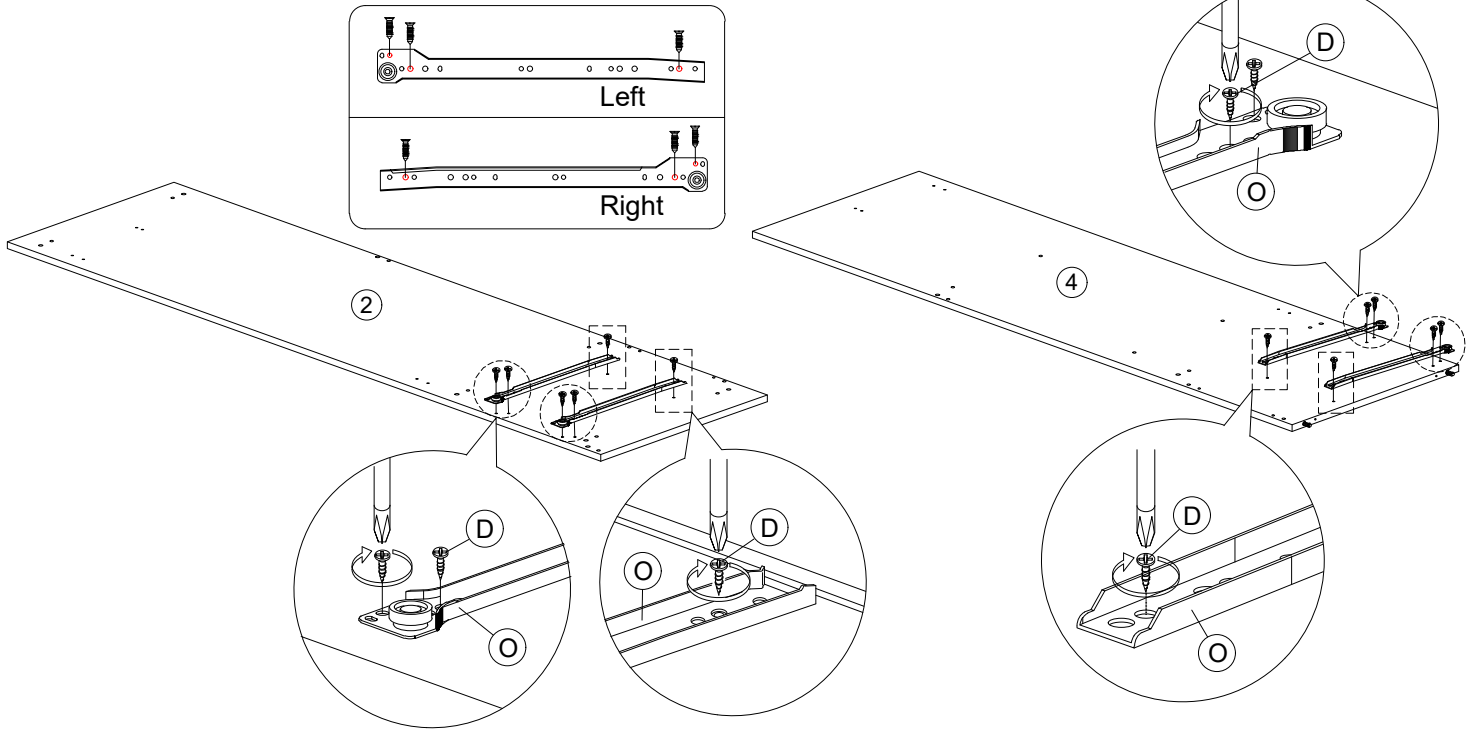


Assembly Instruction

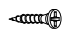

Step 4

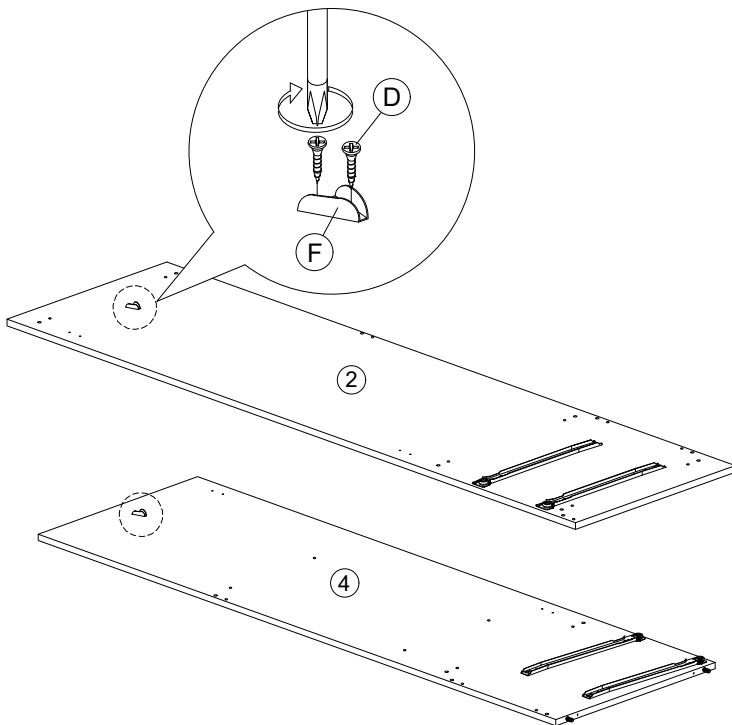
D		M3.5x16mm Screw	12Pcs
O		Drawer Slide 350mm - R	2Pcs

O		Drawer Slide 350mm - L	2Pcs
---	---	------------------------	------

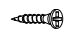



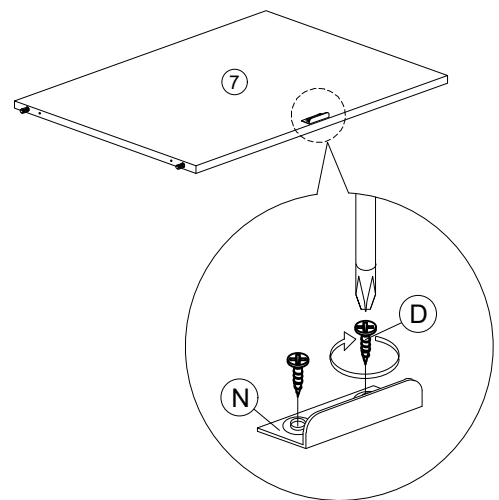
Step 5

D		M3.5x16mm Screw	4Pcs
F		V Bracket	2Pcs




Step 6

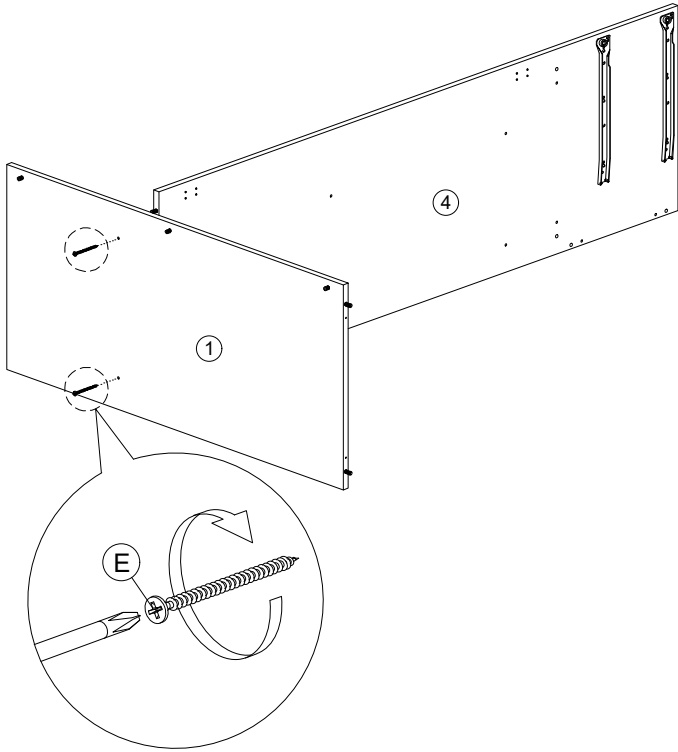
D		M3.5x16mm Screw	2Pcs
N		Drawer Lock Support H10.9	1Pc




Assembly Instruction

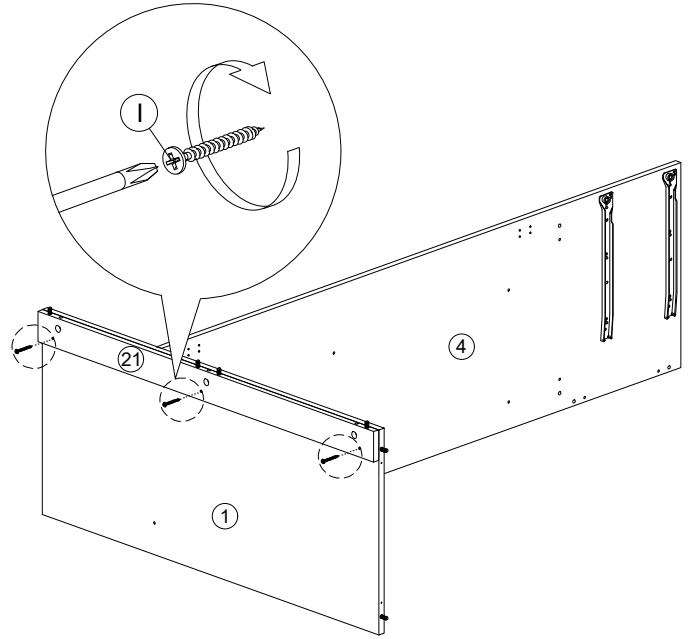
Step 7

E  M4x45mm Screw 2Pcs



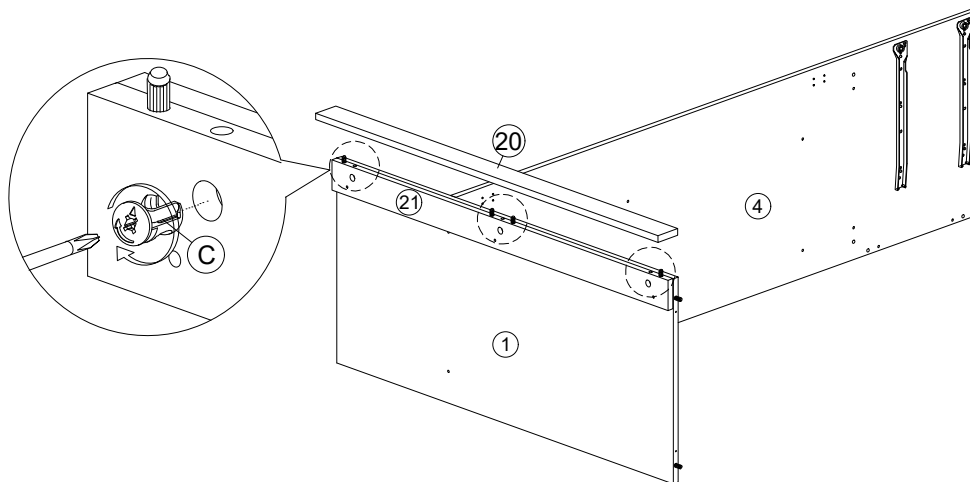
Step 8

I  M4x28mm Screw 3Pcs




Step 9

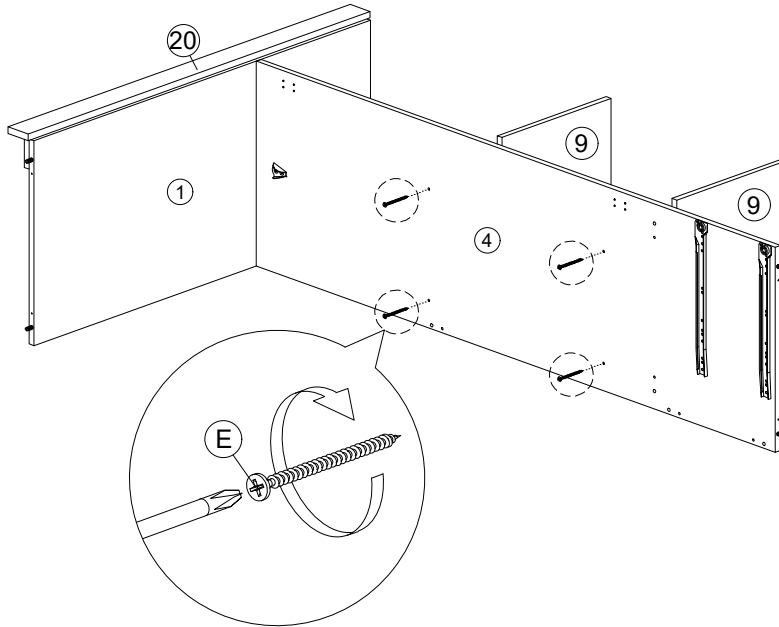
C  Minifix 3Pcs




Assembly Instruction

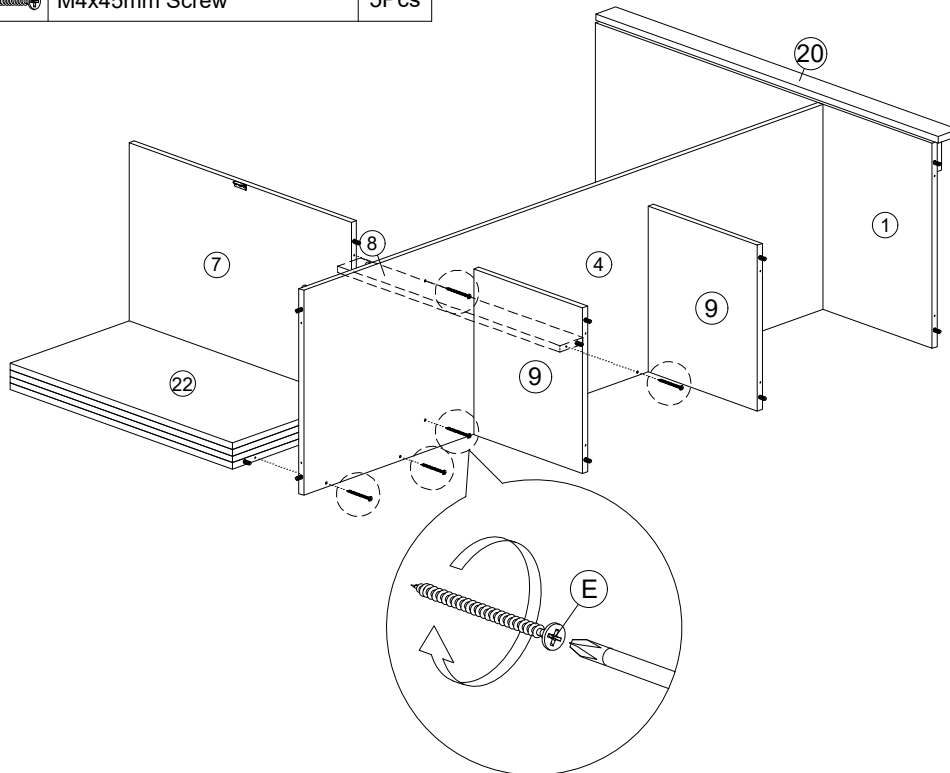
Step 10

E		M4x45mm Screw	4Pcs
---	---	---------------	------




Step 11

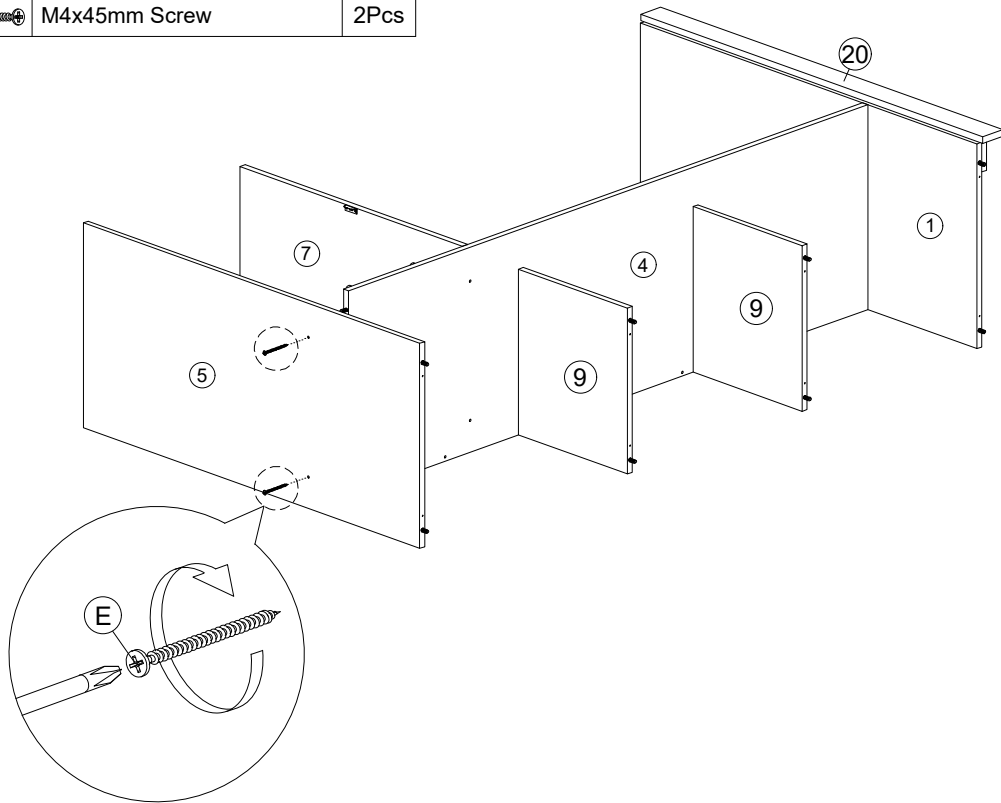
E		M4x45mm Screw	5Pcs
---	---	---------------	------




Assembly Instruction

Step 12

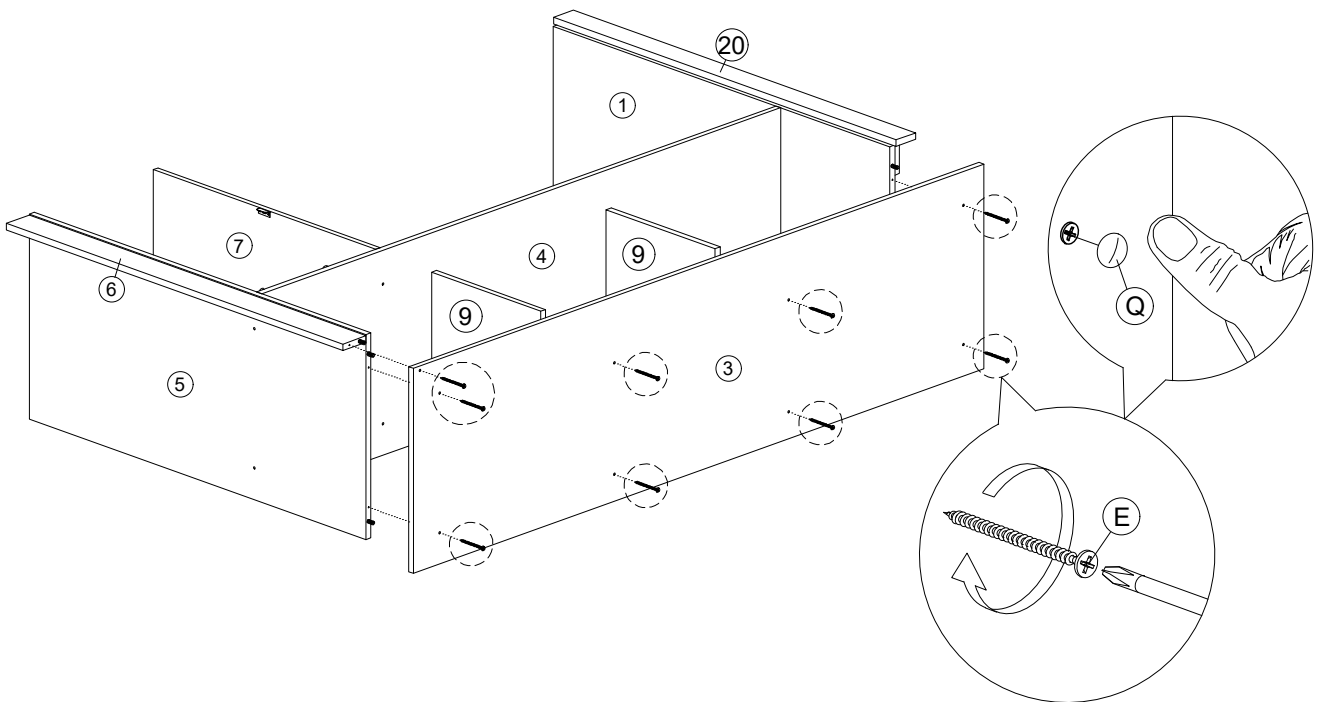
E		M4x45mm Screw	2Pcs
---	---	---------------	------




Step 13

E		M4x45mm Screw	9Pcs
---	---	---------------	------

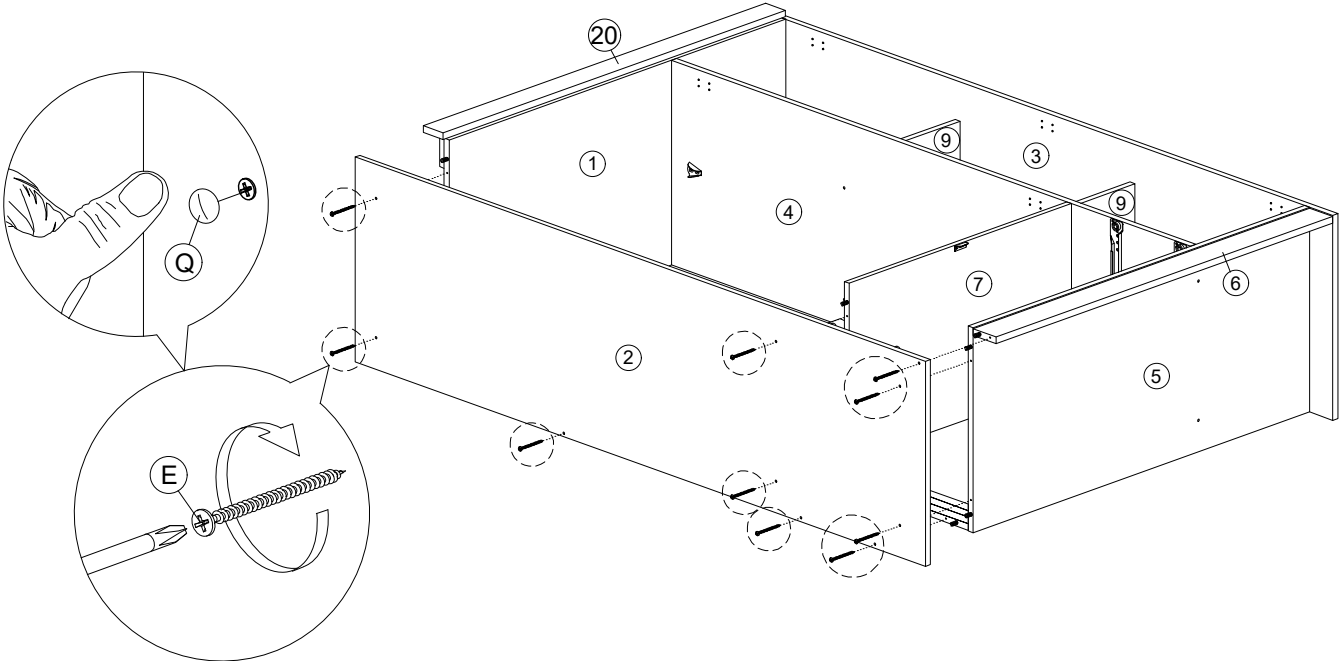
Q		Sticker	9Pcs
---	---	---------	------



Assembly Instruction

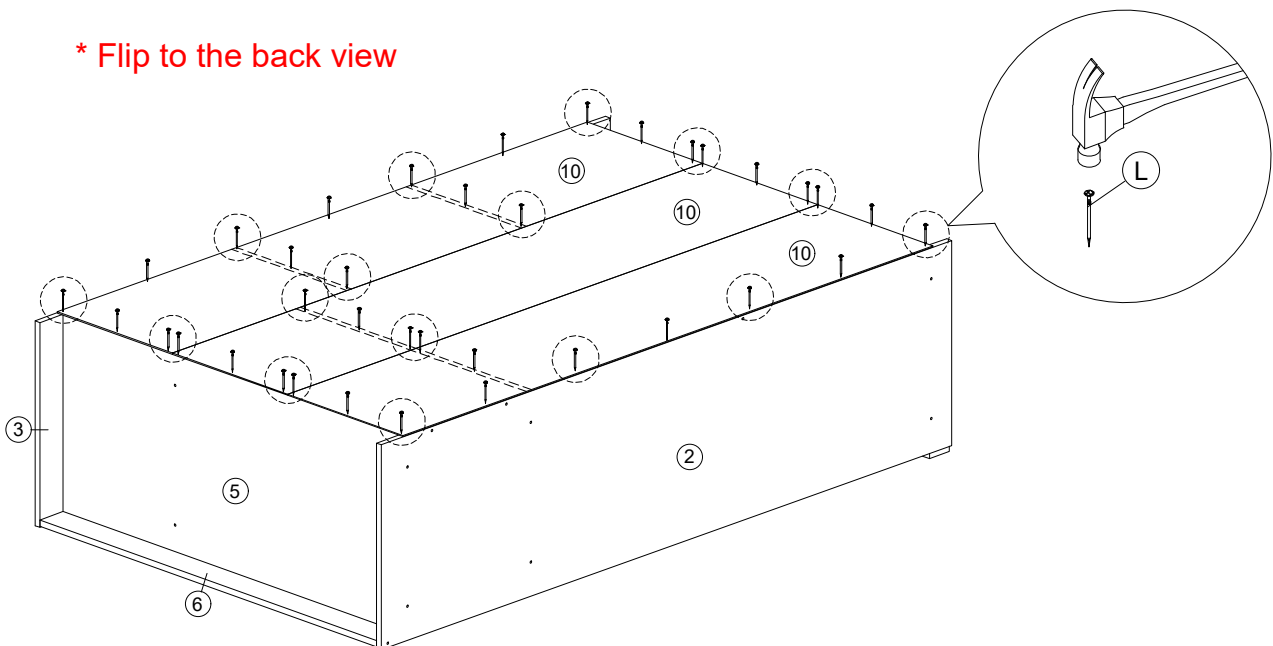
Step 14 E  M4x45mm Screw 10Pcs

Q  Sticker 10Pcs



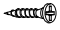
Step 15 L  6/8 Power Pin 50Pcs

* Flip to the back view

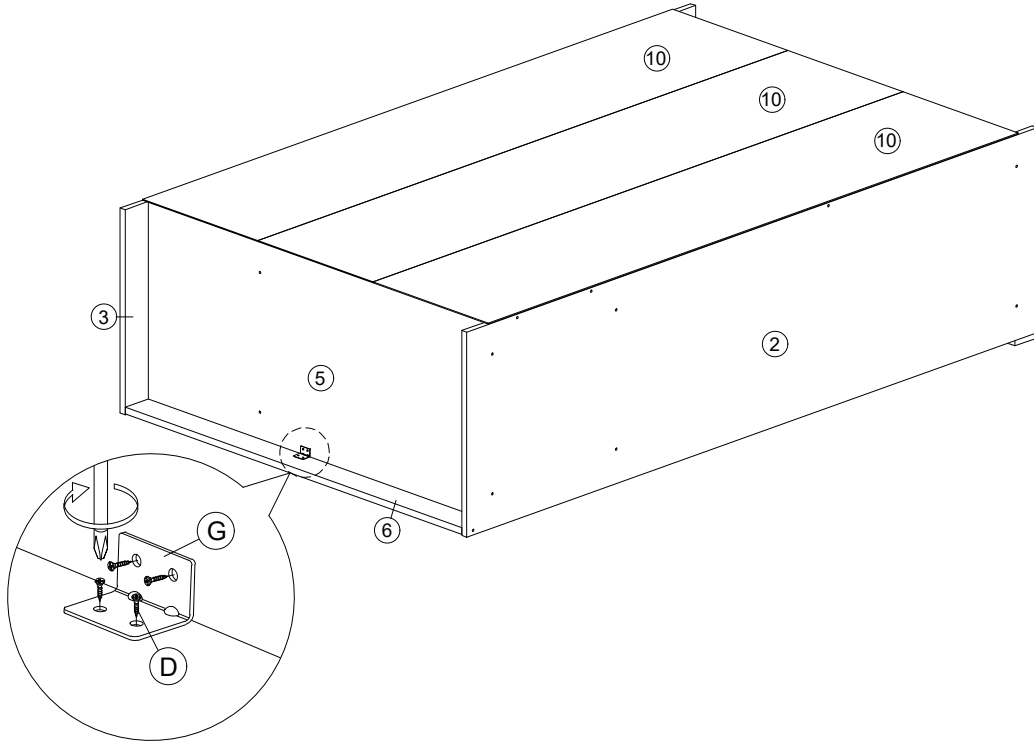


Assembly Instruction

Step 16

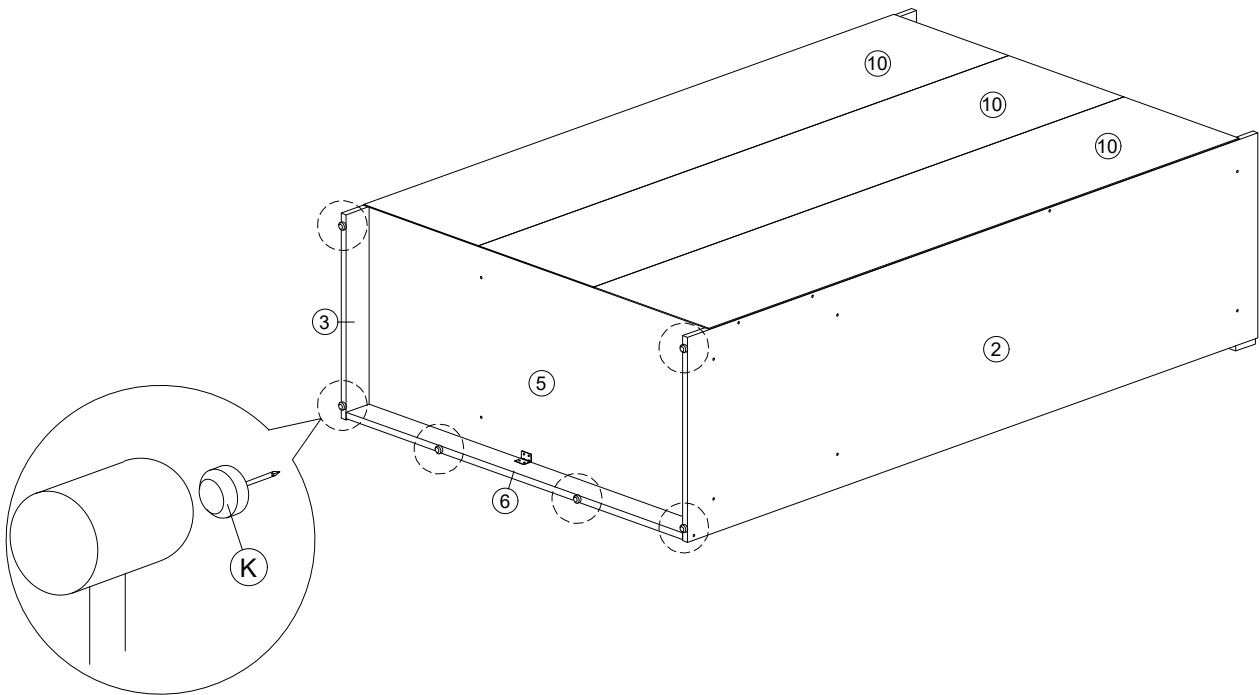
D		M3.5x16mm Screw	4Pcs
---	---	-----------------	------

G		L Bracket	1Pc
---	---	-----------	-----



Step 17

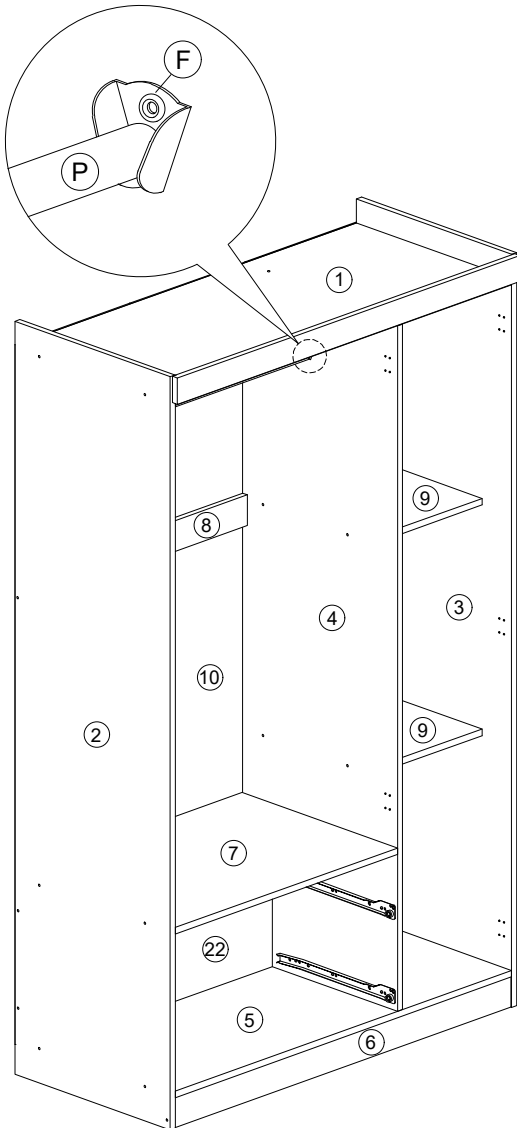
K		5/8 Nail With Pin	6Pcs
---	---	-------------------	------




Assembly Instruction

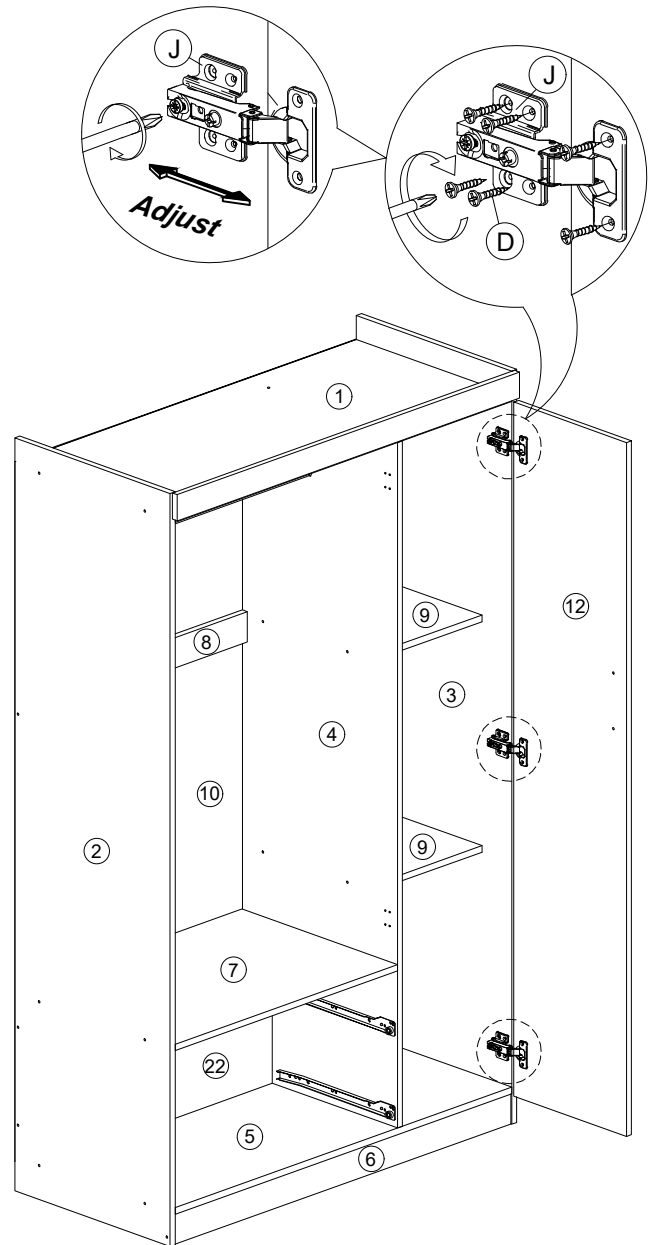
Step 18

P		Aluminium Pipe 667mm	1Pc
---	---	----------------------	-----





Step 19

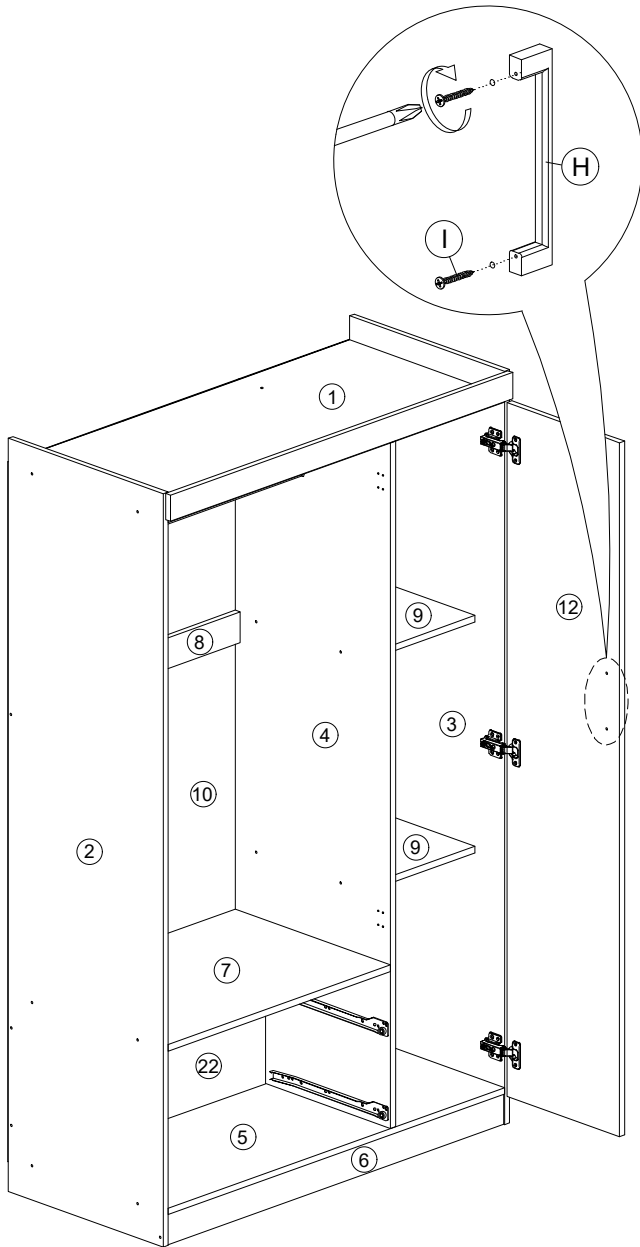
D		M3.5x16mm Screw	18Pcs
J		Hinges 2/8	3Pcs



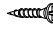

Assembly Instruction

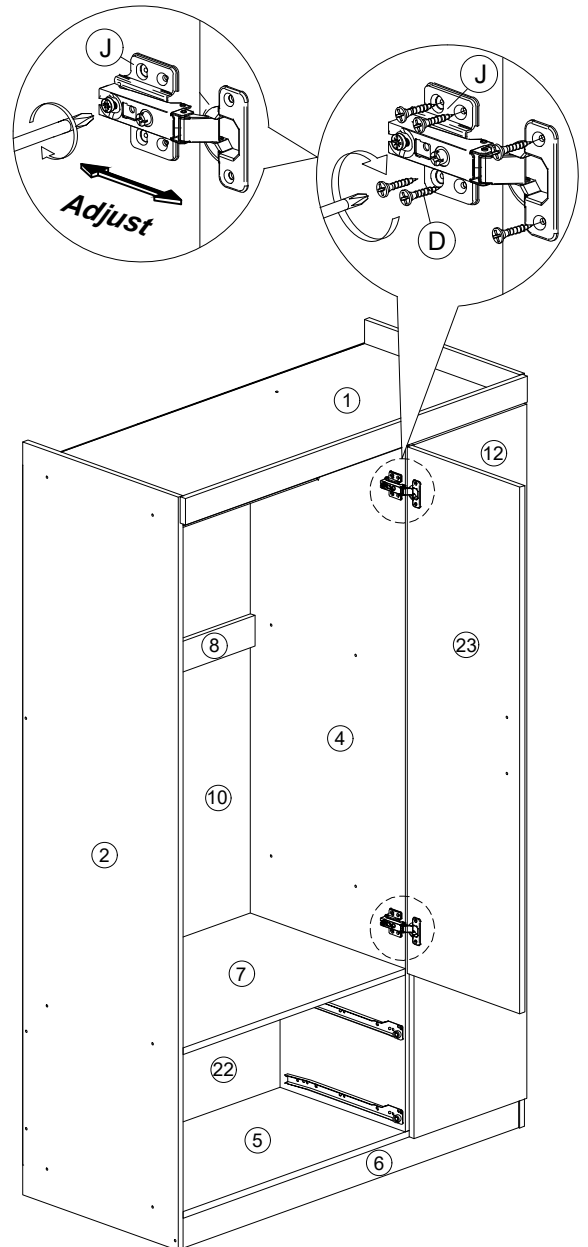
Step 20

H		Handle KT179.128mm	1Pc
I		M4x28mm Screw	2Pcs





Step 21

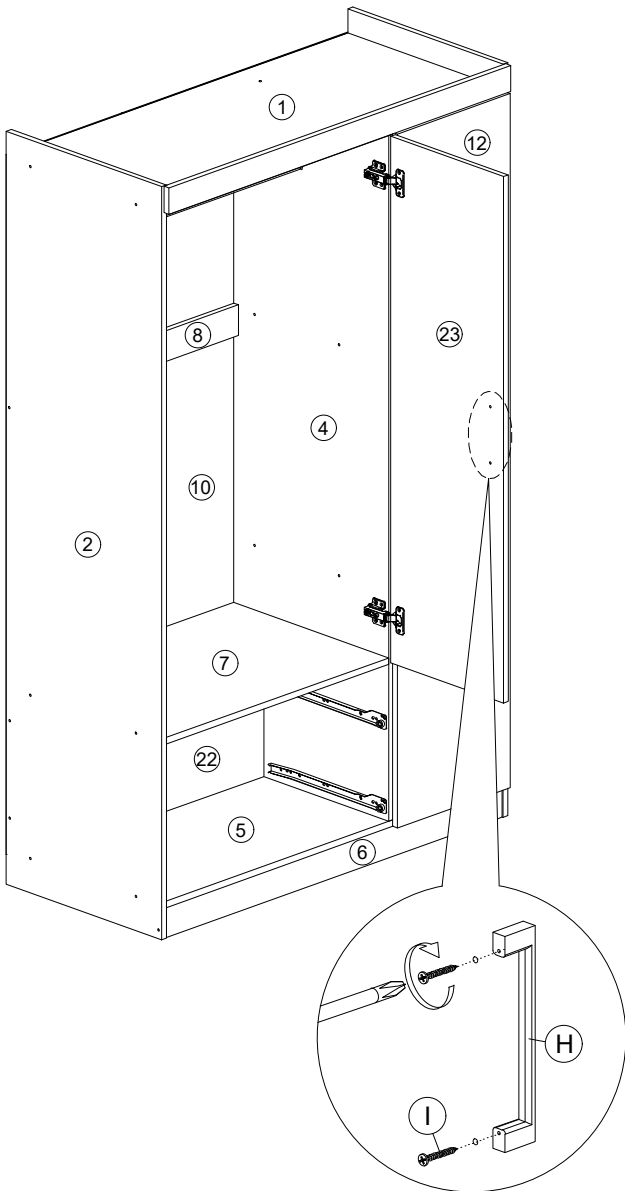
D		M3.5x16mm Screw	12Pcs
J		Hinges 2/8	2Pcs



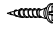

Assembly Instruction

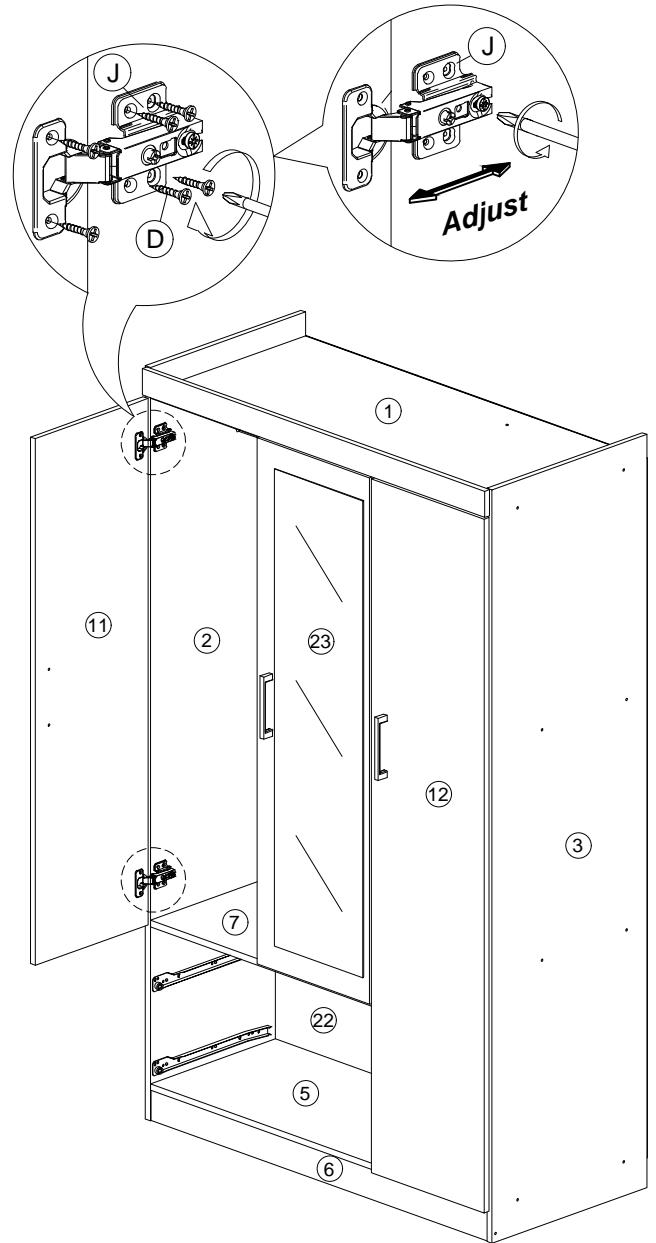
Step 22

H		Handle KT179.128mm	1Pc
I		M4x28mm Screw	2Pcs





Step 23

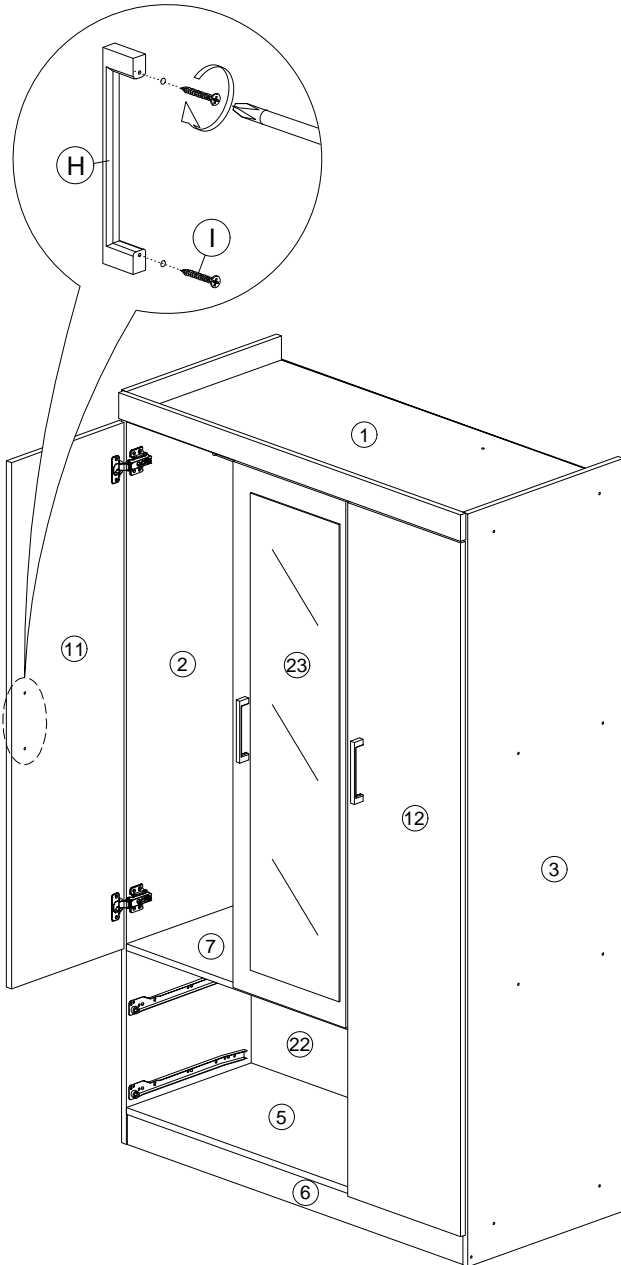
D		M3.5x16mm Screw	12Pcs
J		Hinges 2/8	2Pcs




Assembly Instruction

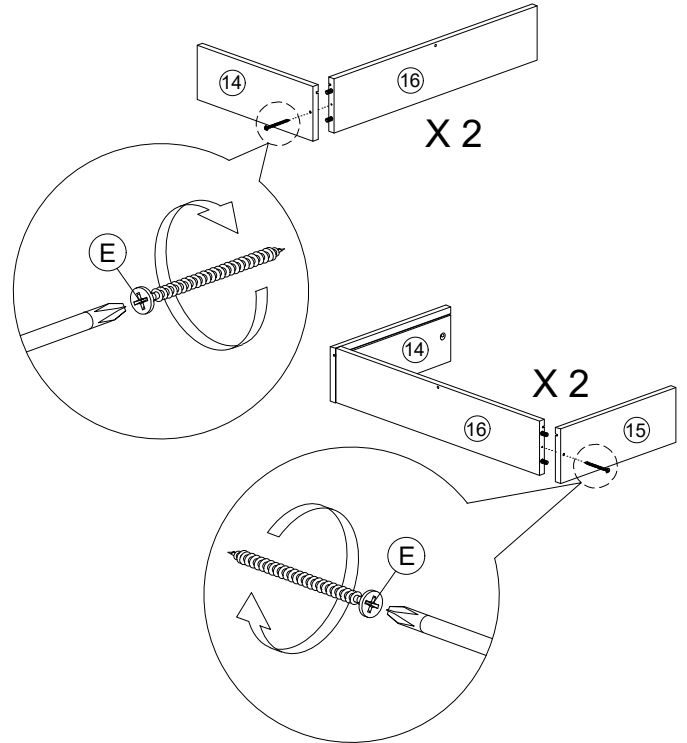
Step 24

H		Handle KT179.128mm	1Pc
I		M4x28mm Screw	2Pcs




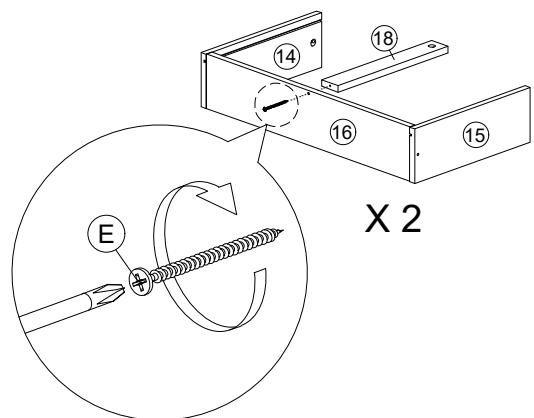
Step 25

E		M4x45mm Screw	4Pcs
---	---	---------------	------



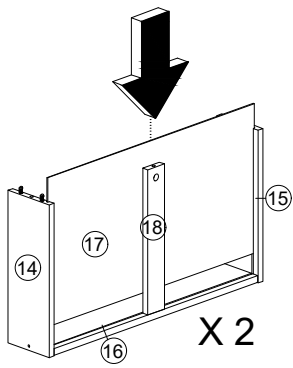
Step 26

E		M4x45mm Screw	2Pcs
---	---	---------------	------



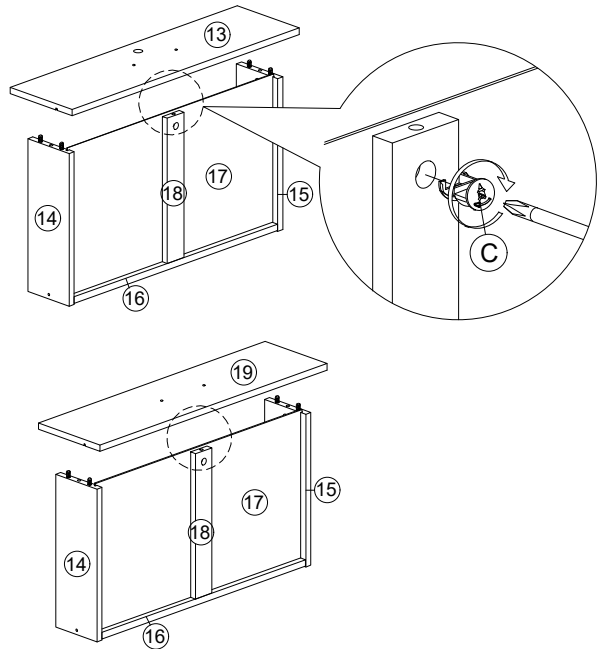
Assembly Instruction

Step 27



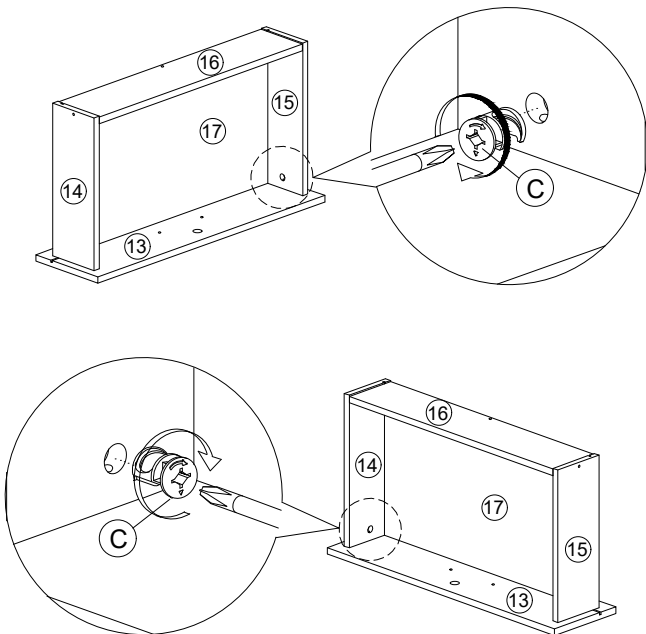
Step 28

C  Minifix 2Pcs



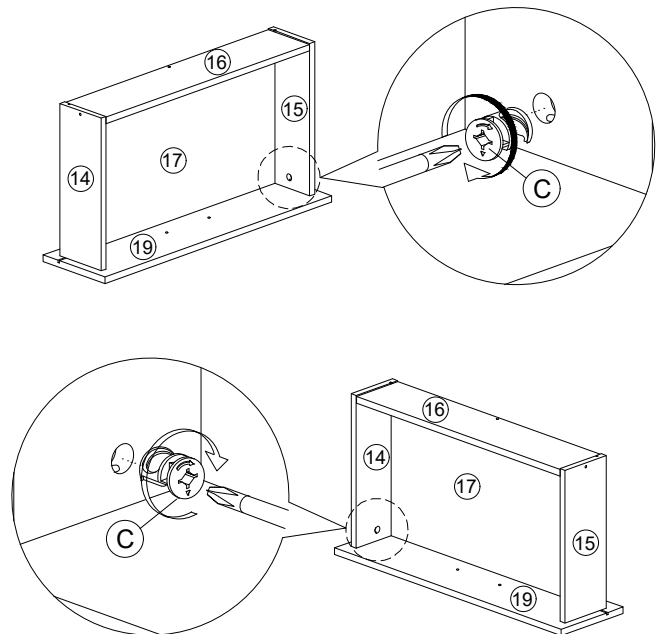
Step 29

C  Minifix 2Pcs





Step 30

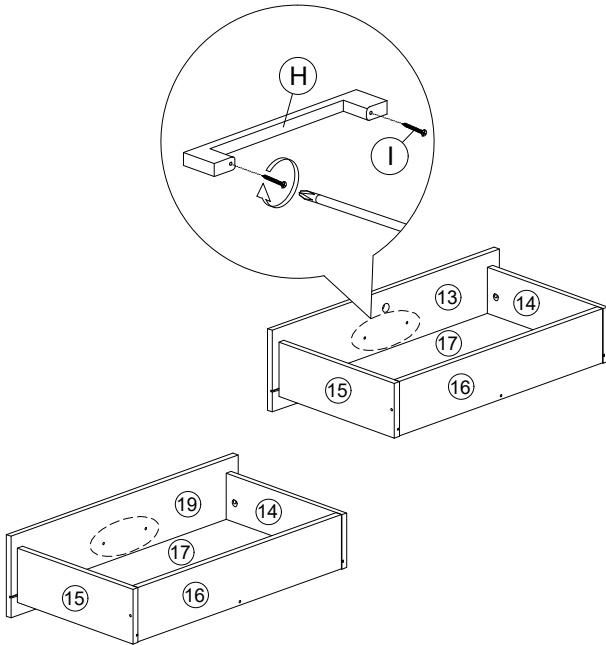
C  Minifix 2Pcs



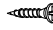

Assembly Instruction

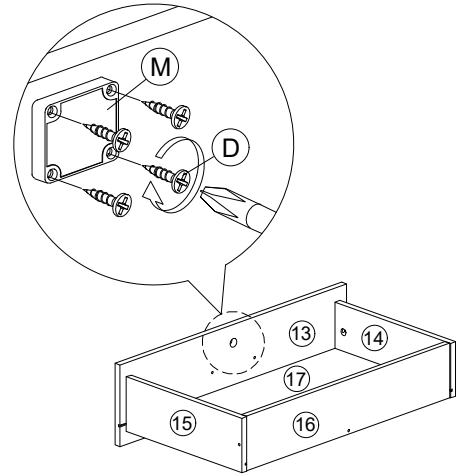
Step 31

H		Handle KT179.128mm	2Pcs
I		M4x28mm Screw	4Pcs

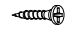



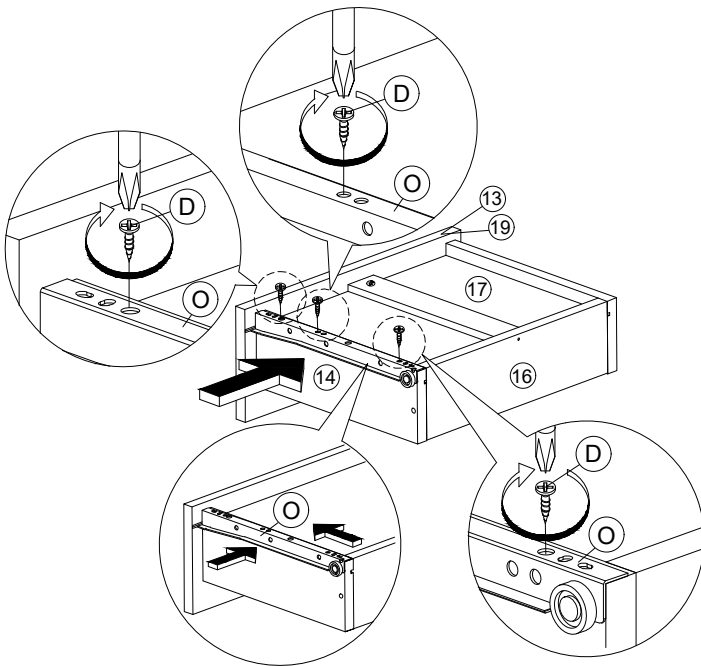
Step 32

D		M3.5x16mm Screw	4Pcs
M		Drawer Lock	1Pc

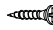



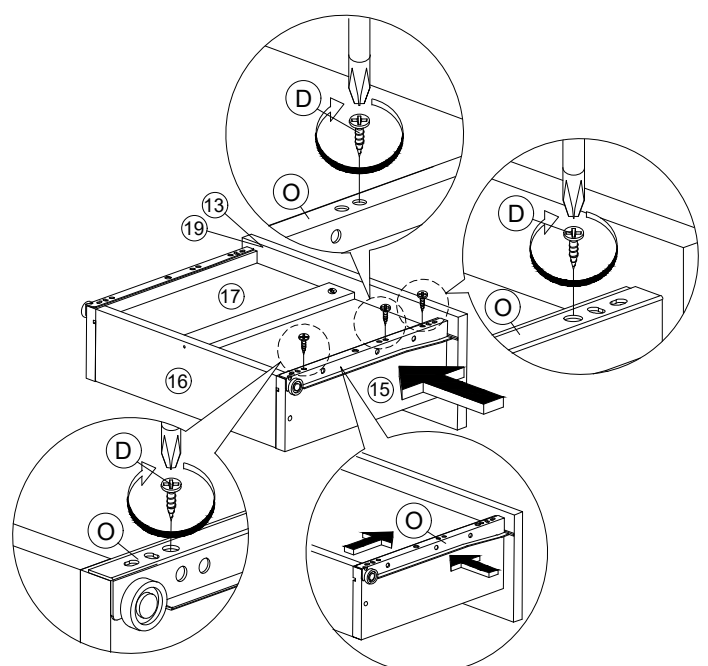
Step 33

D		M3.5x16mm Screw	6Pcs
O		Drawer Slide 350mm - R	2Pcs



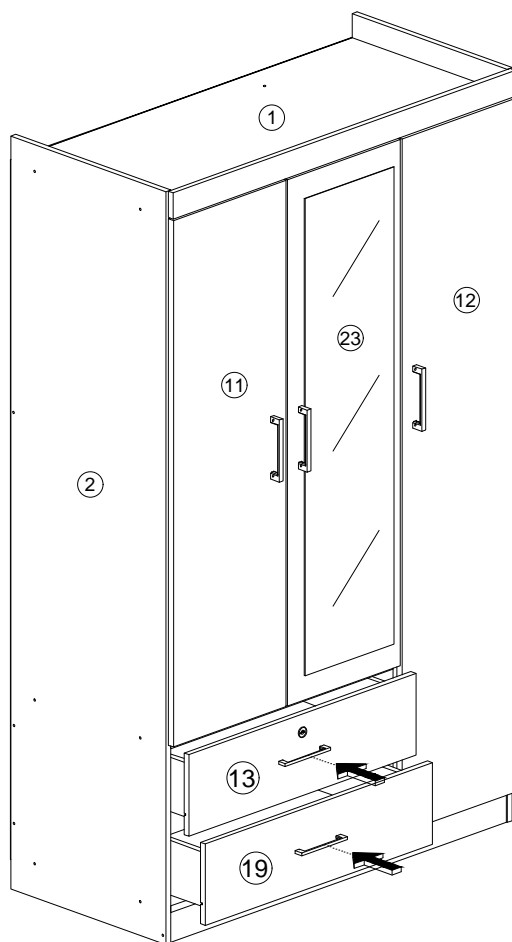
Step 34

D		M3.5x16mm Screw	6Pcs
O		Drawer Slide 350mm - L	2Pcs

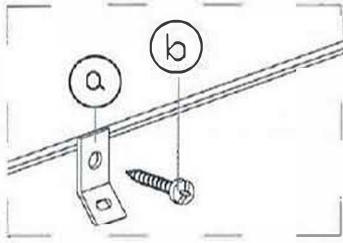


Assembly Instruction

Step 35

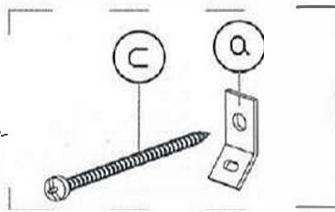
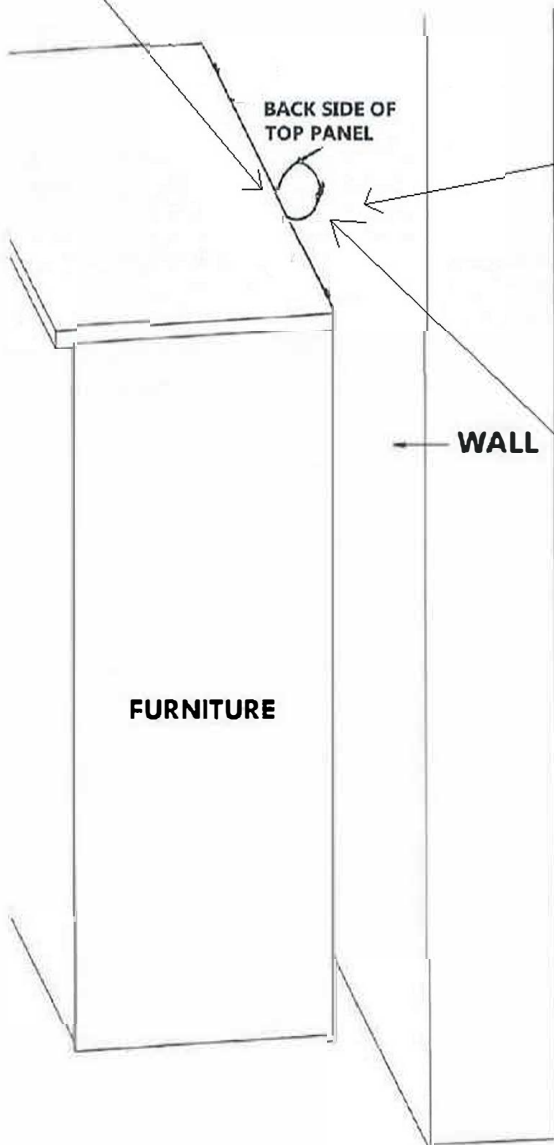


FITTING OF ANTI-TIP SAFETY STRAP



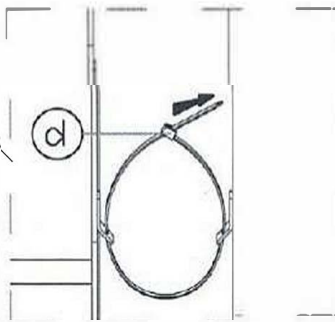
STEP 1:

- Attach the mounting bracket (a) to the furniture in the solid part below the top panel a few inches away from the side of the unit.
- Screw (b) through the smallest hole of (a).



STEP 2:

- Locate a stud in the wall behind the unit, does not have to be centered.
- Place the other mounting bracket (a) on the wall stud 2 inches below the mounting bracket secured to the back of your unit.
- Attach to the wall stud using (c) through the smaller hole of (a).



STEP 3:

- Repeat the same step a few inches away from the other side of the unit.
- Place the furniture into position so both mounting brackets are vertically in line.
- Lace the end of the restraint strap through the larger holes in each mounting bracket.
- Secure the straps and lock into place.

