

ASSEMBLY INSTRUCTIONS

ASSEMBLY REQUIREMENTS	2–Person Assembly	2.5Hour Assembly Time (Approximate)	Tool Required (Not Provided)	
--------------------------	----------------------	---	---------------------------------	---

Thank you for purchasing our product!

Please refer and use this assembly instruction to assemble the product.
Contact our customer service department in case there are any missing or damage parts or hardware.
Replacement parts are normally shipped within 2 or 3days.

ASSEMBLY PREPARATION:

1. Remove all packaging materials ,staples and packing straps from the carton.
2. Refer to Part List and Hardware List and ensure parts and hardware are correct before assembly.
Contact customer service for missing parts.
3. Place all wooden parts on clean, flat and soft surface (e.g .carpet or rug) to prevent scratch and damage to parts.

SAFETY PRECAUTION:

1. Keep ALL HARDWARE PART OUT OF REACH OF CHILDREN.
2. DISPOSE PLASTIC PACKAGING MATERIAL IMMEDIATELY TO AVOID ANY RISK OF SUFFOCATION TO CHILDREN AND ANIMALS

TIPS FOR ASSEMBLY:

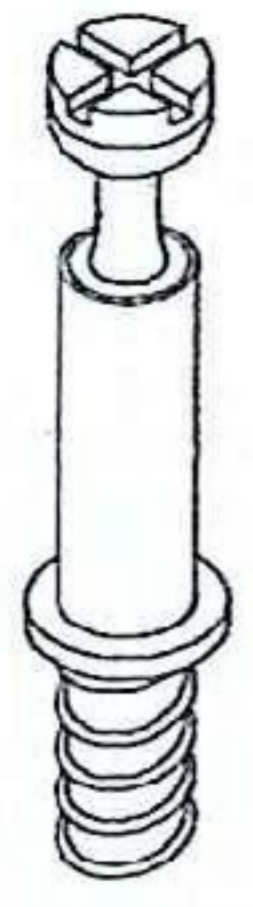
1. Allow ample room for assembly and in close proximity to where product will be placed.
2. Assemble the product on a surface that does not scratch or damage the exterior gloss and finish of the furniture.
3. Identify all the parts, hardware and quantities required for each step.
4. During assembly, do not over-tighten any fittings as this may cause damage.
5. DO NOT USE POWER TOOLS TO ASSEMBLE THIS PRODUCT.
6. Always place the product on a flat, level surface.
7. Do not sit or stand on the partially assembled product ;only use the product for which it is intended.

CARE AND MAINTENANCE:

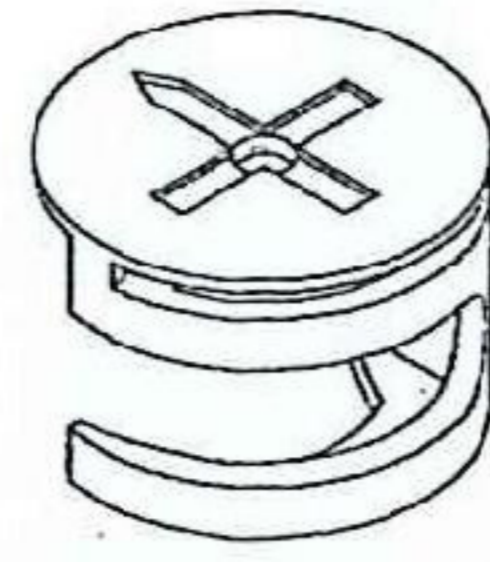
- Use a slightly damp cloth to clean the product. Do not use bleach or abrasive cleaning material.
- Check all the fittings periodically and re-tighten as necessary. Do not use the product if any of the parts is damaged or broken.
- Never allow any kind of liquids to remain on your furniture. Absorption can cause wood to warp or delaminate.
- Do not place hot items (e.g hot drinks)directly onto the wood surface.
- Do not drag and pull your furniture.

This product is for indoor and household use only -not for commercial or industrial use.

INSTRUCTION FOR CAM-BOLT & CAM-LOCK

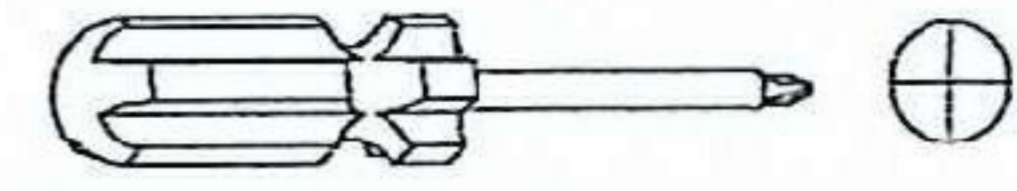
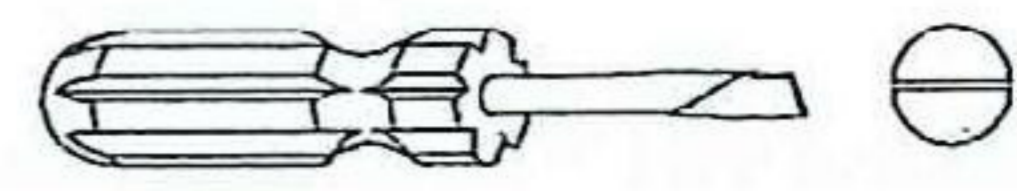


CAM-BOLT

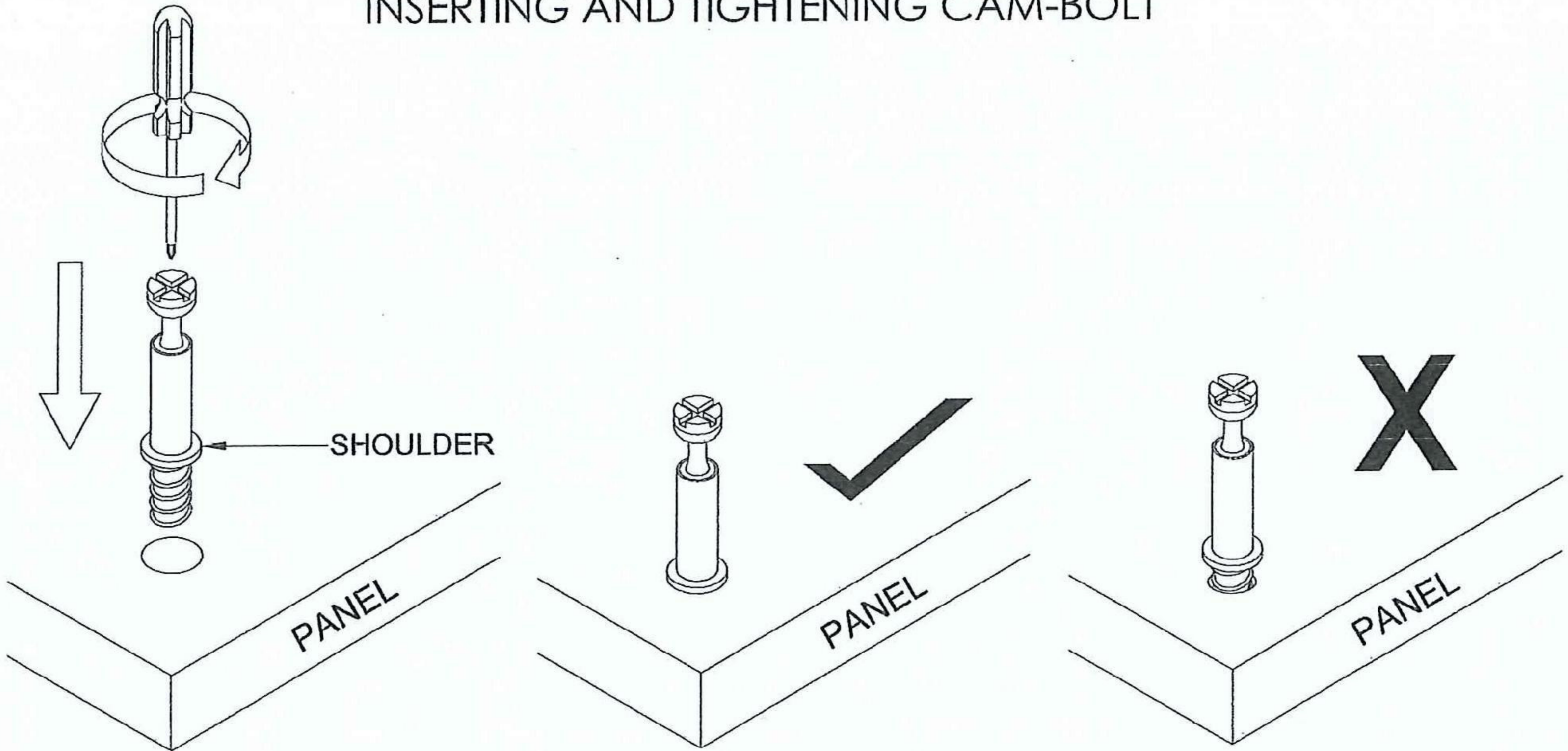


CAM-LOCK

Tools Required



INSERTING AND TIGHTENING CAM-BOLT



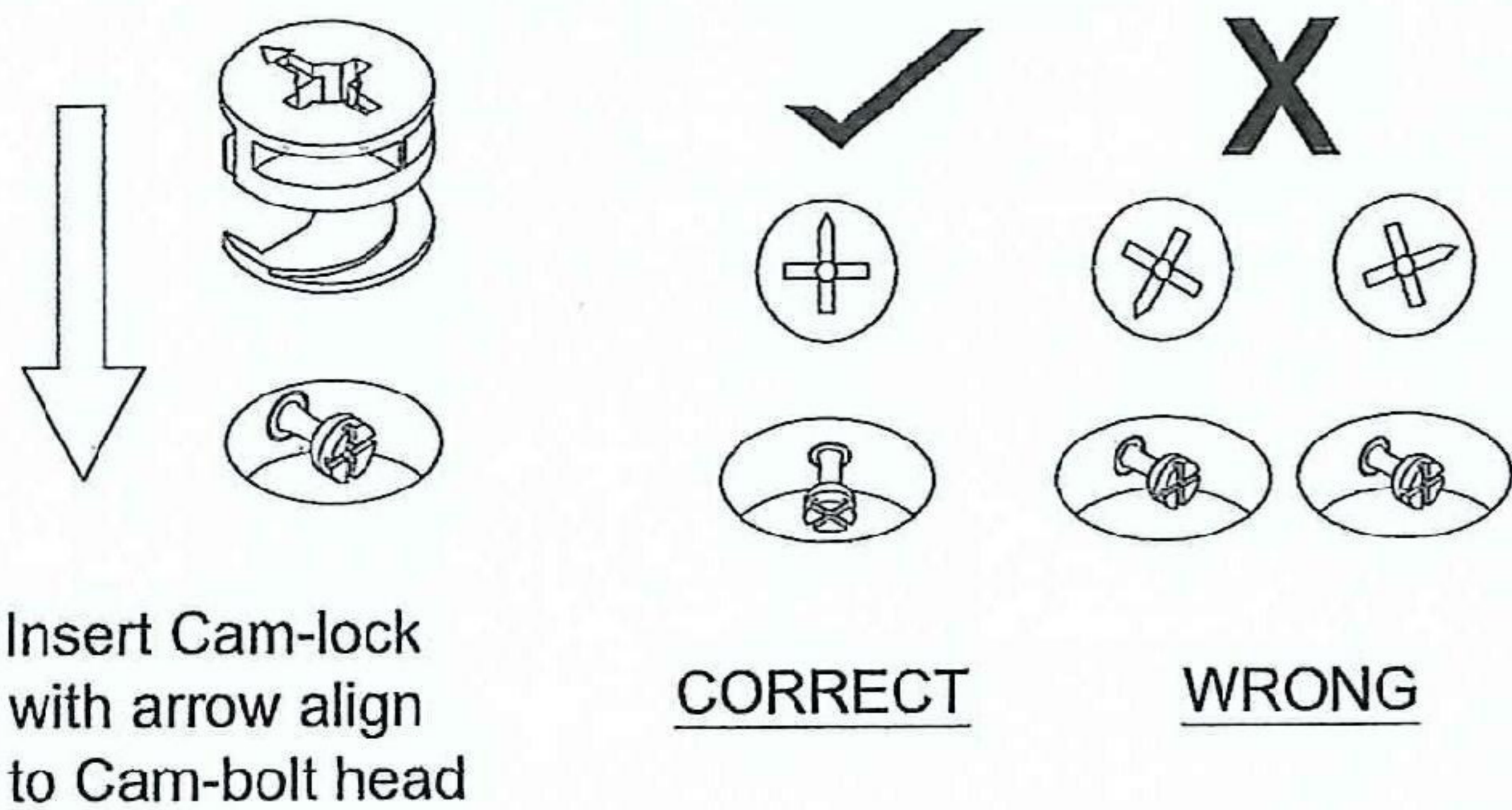
Place Cam-bolt on pre-drilled hole and screw in vertically

Shoulder is flushed (on the same level) with the panel.

Shoulder is above the panel.

Place Cam-bolt on the designated pre-drilled holes on the panel. Use a Phillips Screwdriver to screw-in Cam-bolt vertically until shoulder is flushed (on the same level) with panel.

INSERTING CAM-LOCK

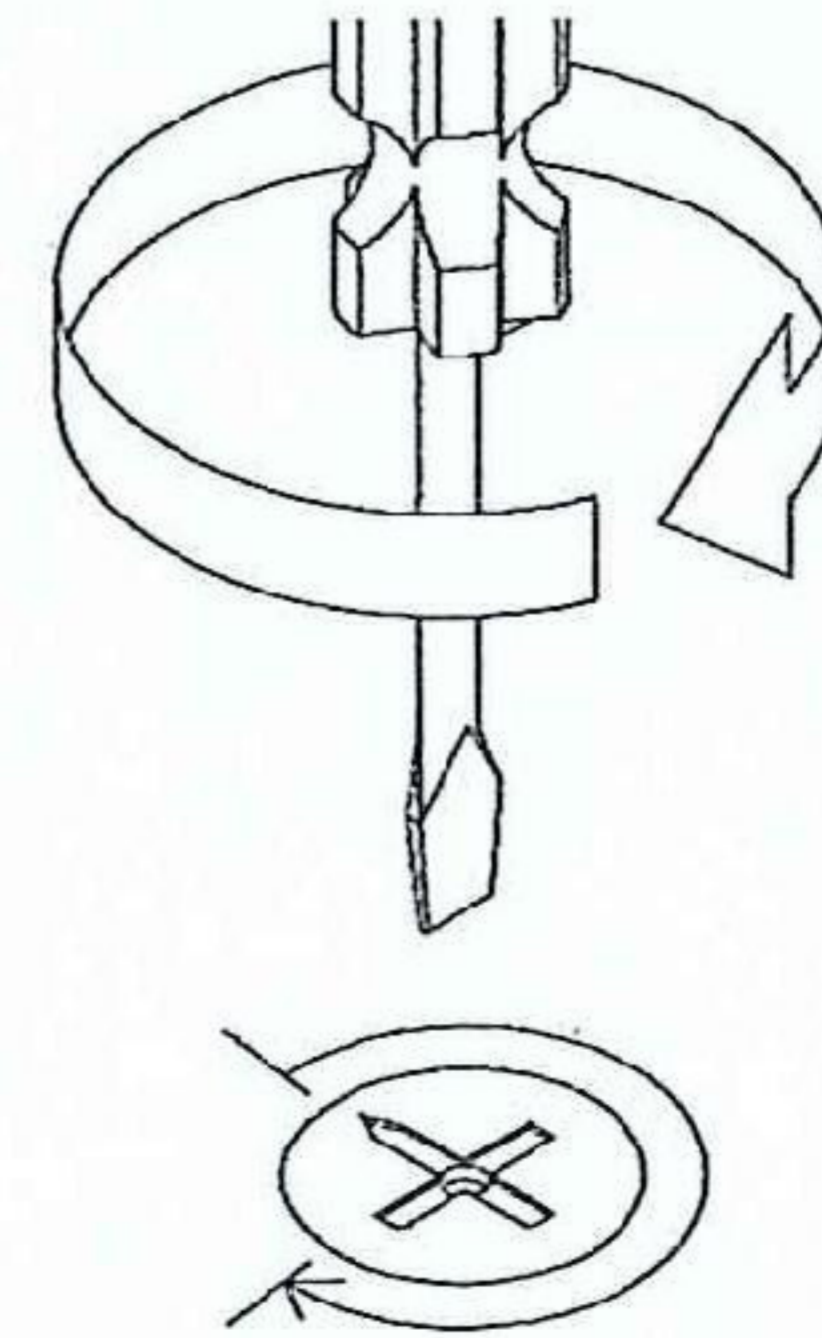


Insert Cam-lock with arrow align to Cam-bolt head

CORRECT

WRONG

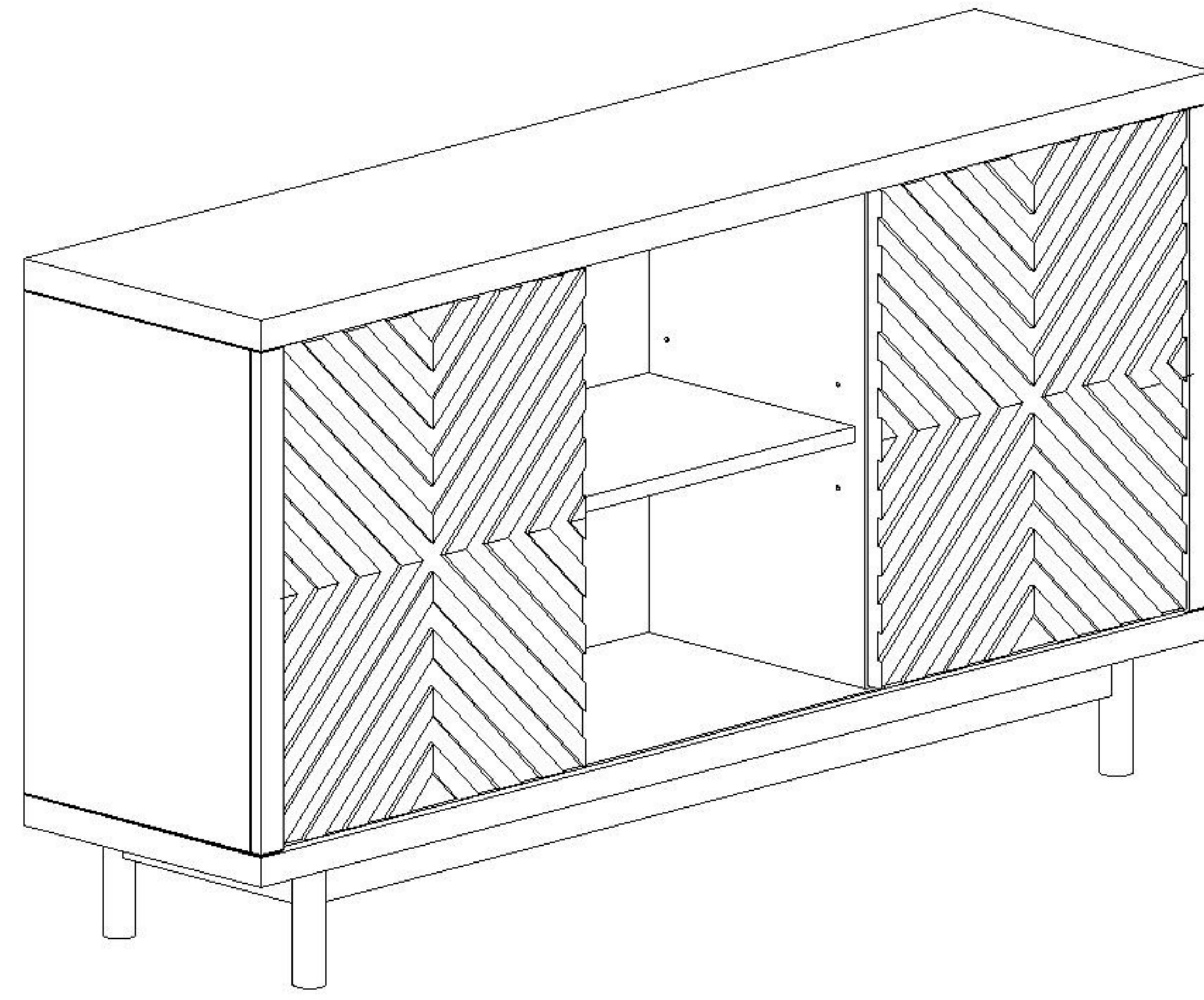
TIGHTENING CAM-LOCK



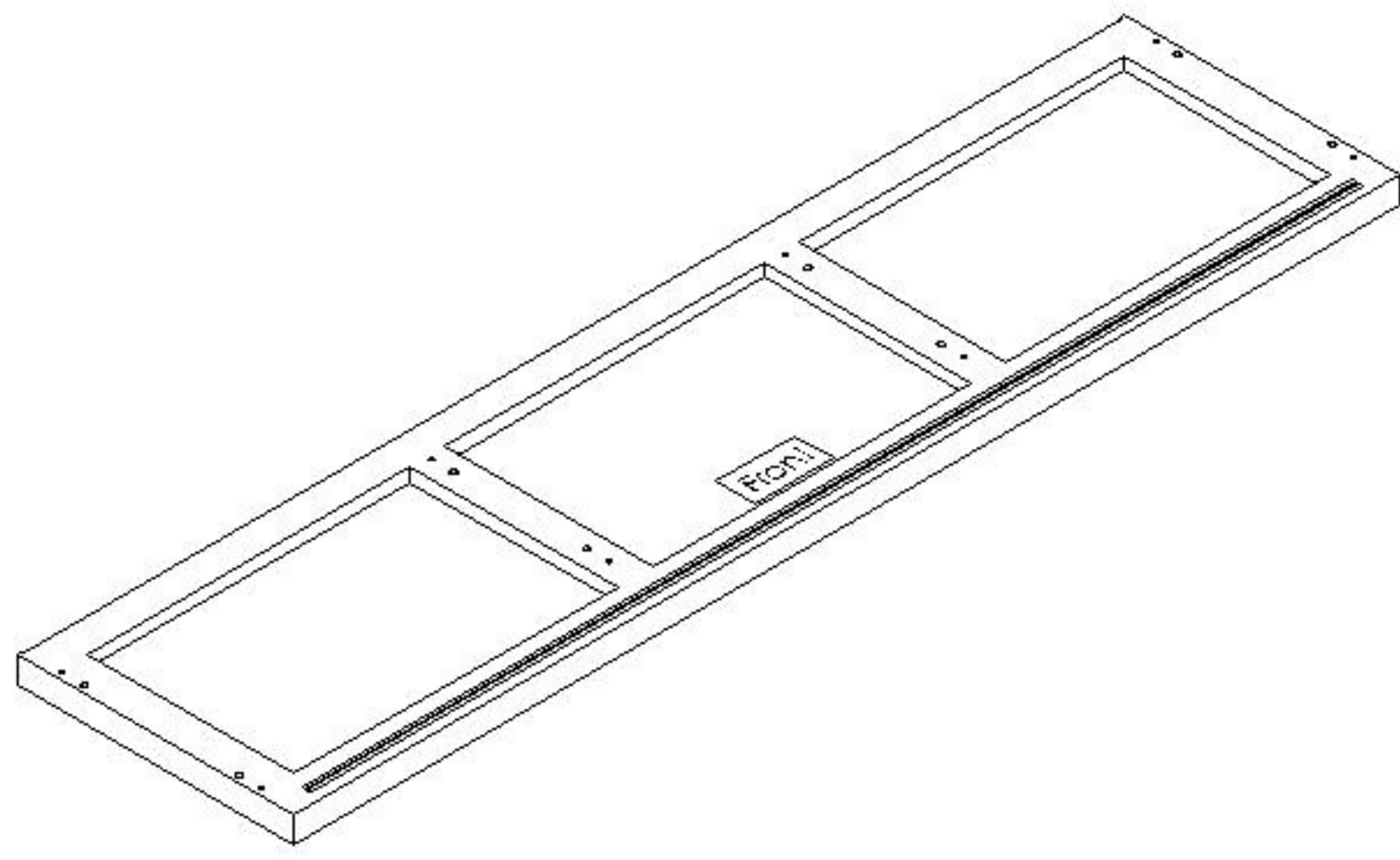
Use a Flat-head Screwdriver to turn Cam-lock clockwise so it locks onto the head of the Cam-bolt. Turn until it is snug (about 3/4ths of a turn) -- over-tightening could damage Cam-lock or/and Cam-bolt.

CAM-LOCK

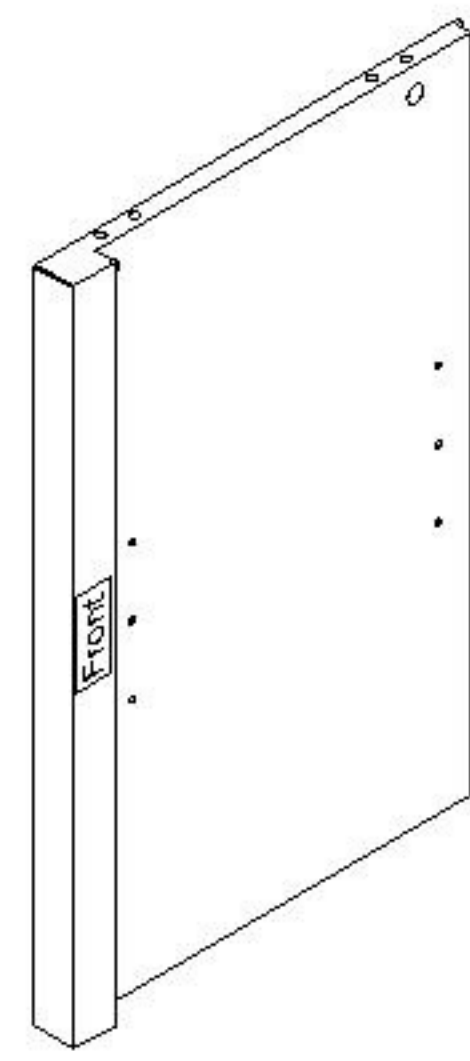
Align the arrow on the Cam-lock to the Cam-bolt head and insert the Cam-lock. Ensure Cam-lock is fully inserted.



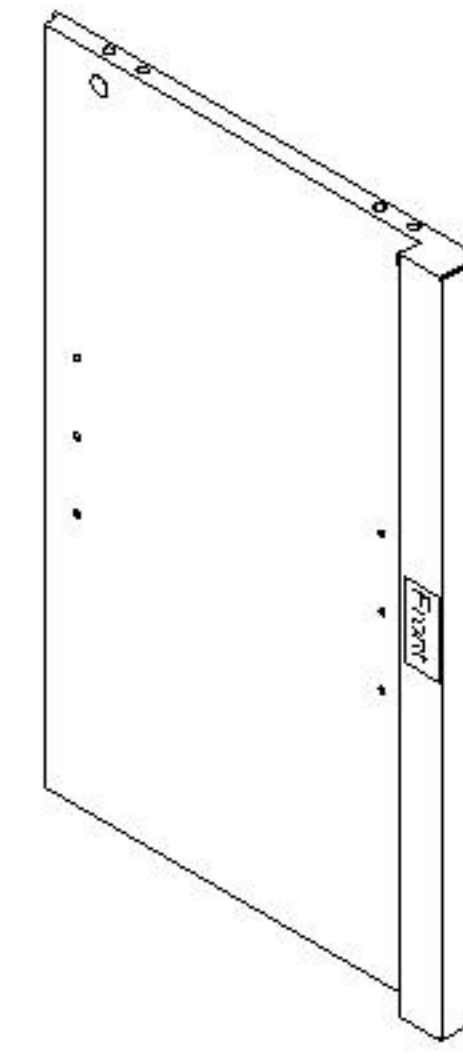
PARTS LIST



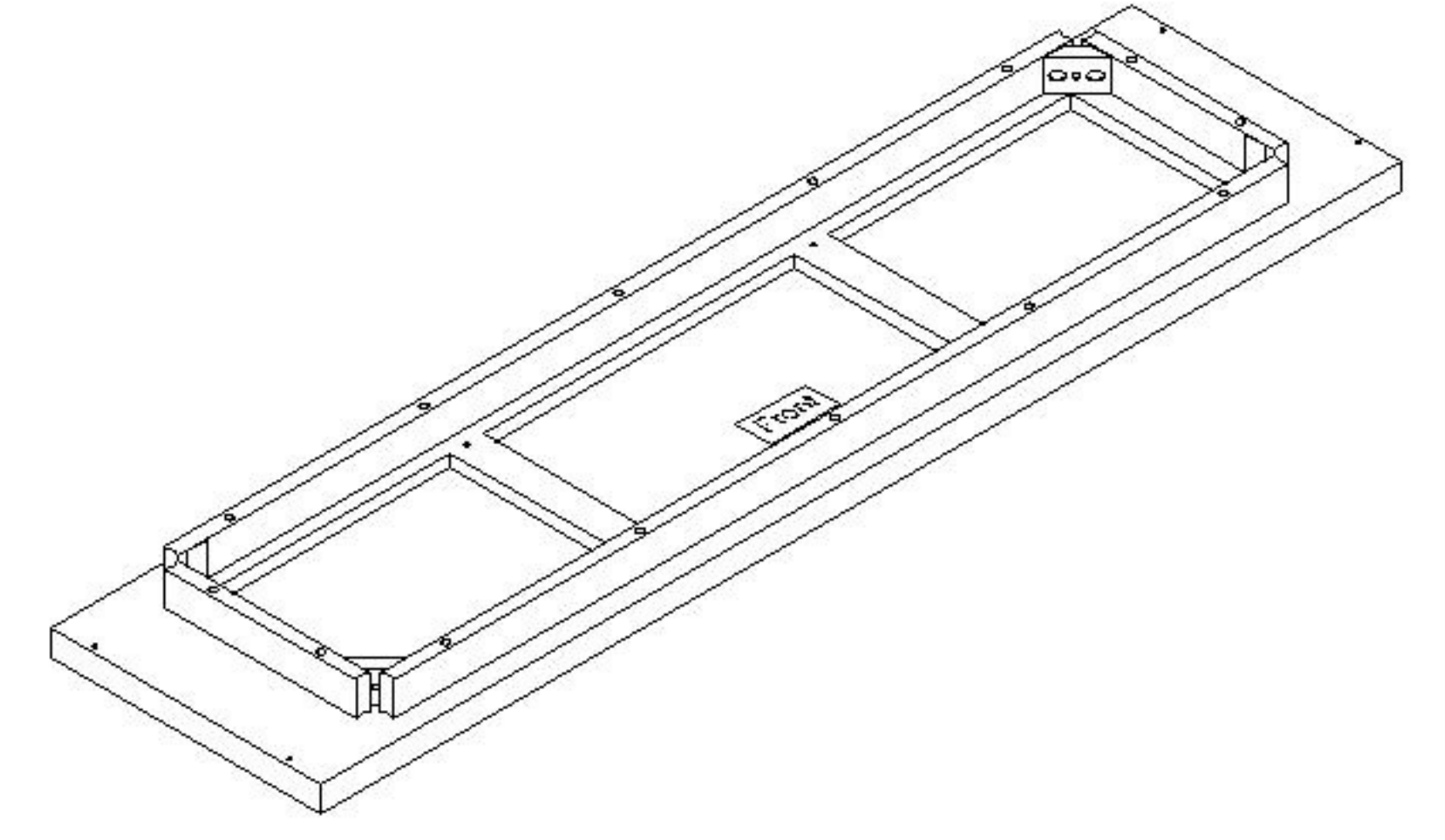
NAME: TOP PANEL
CODE: 1
QTY: 1Pc



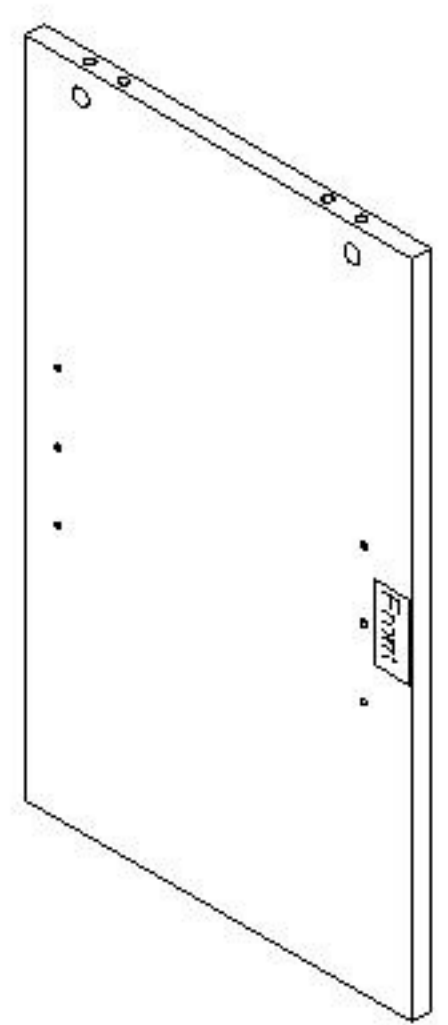
NAME: SIDE PANEL(LEFT)
CODE: 2
QTY: 1Pc



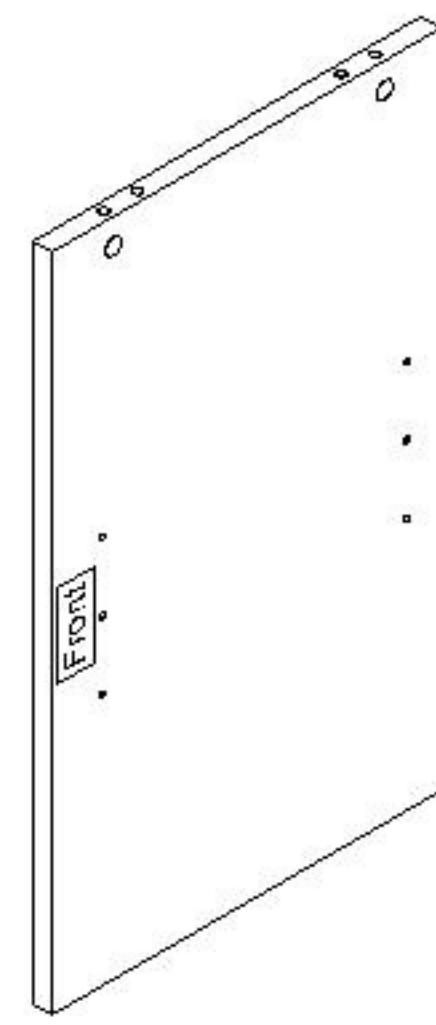
NAME: SIDE PANEL(RIGHT)
CODE: 3
QTY: 1Pc



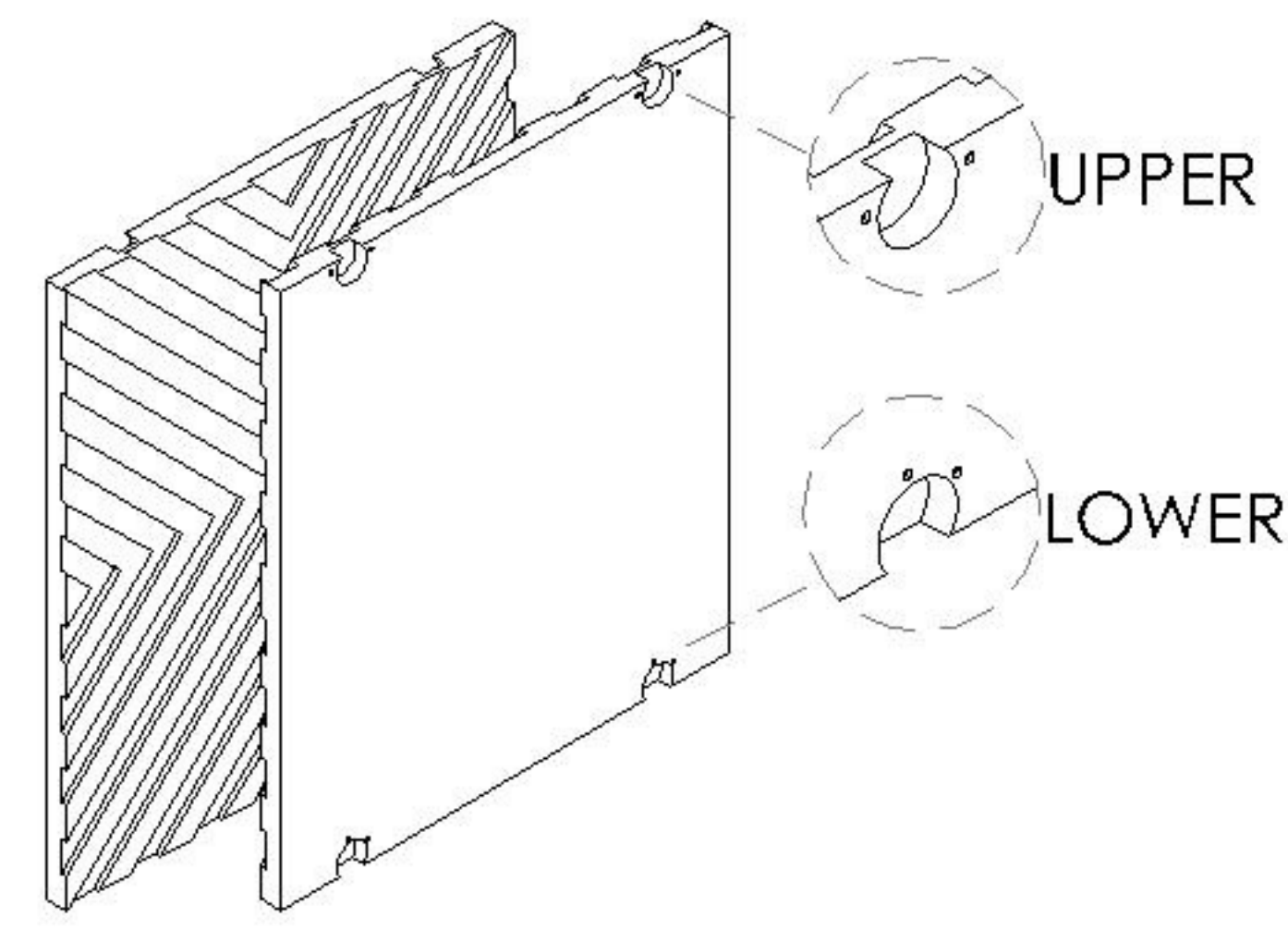
NAME: BOTTOM PANEL
CODE: 4
QTY: 1Pc



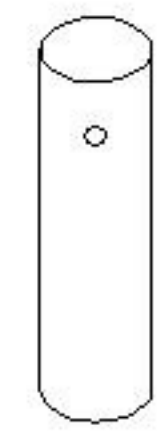
NAME: PARTITION(LEFT)
CODE: 5
QTY: 1Pc



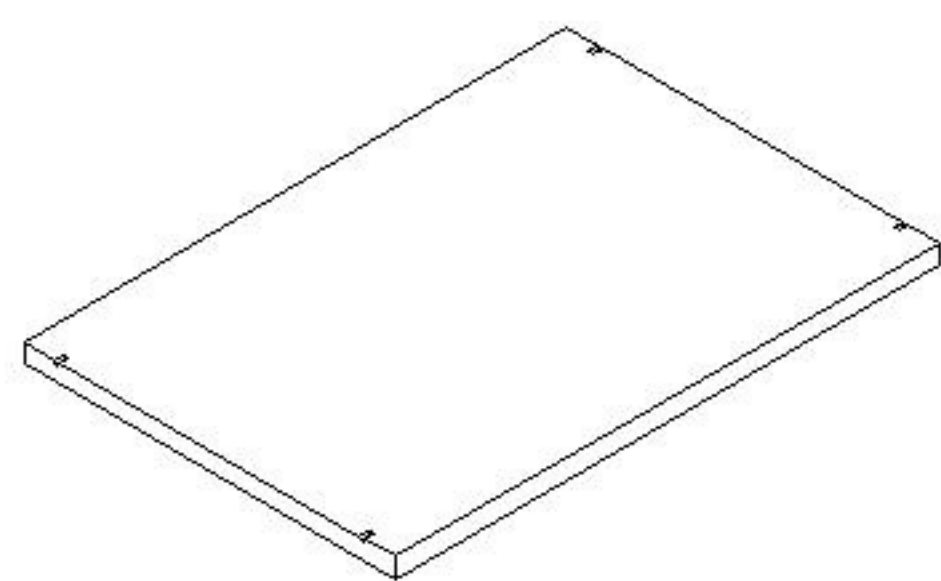
NAME: PARTITION(RIGHT)
CODE: 6
QTY: 1Pc



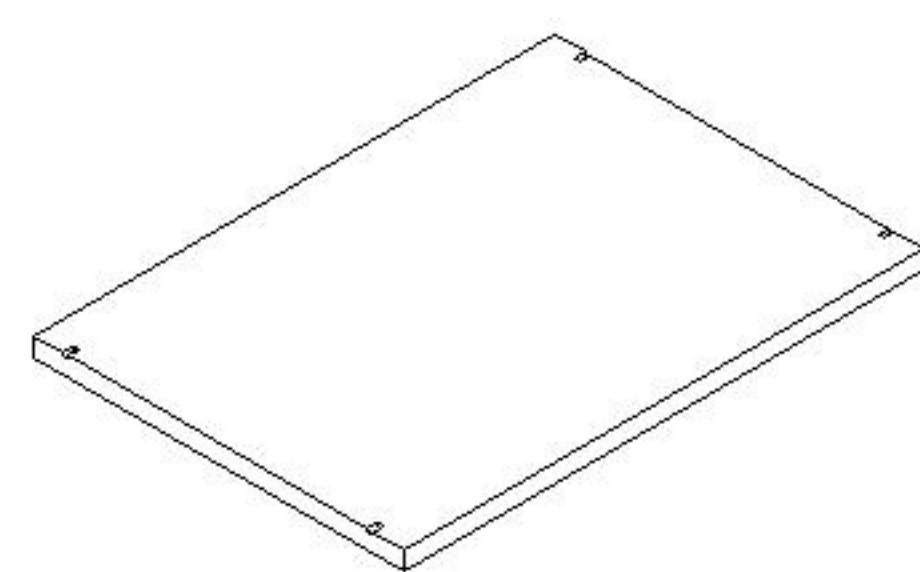
NAME: DOOR
CODE: 7
QTY: 2Pcs



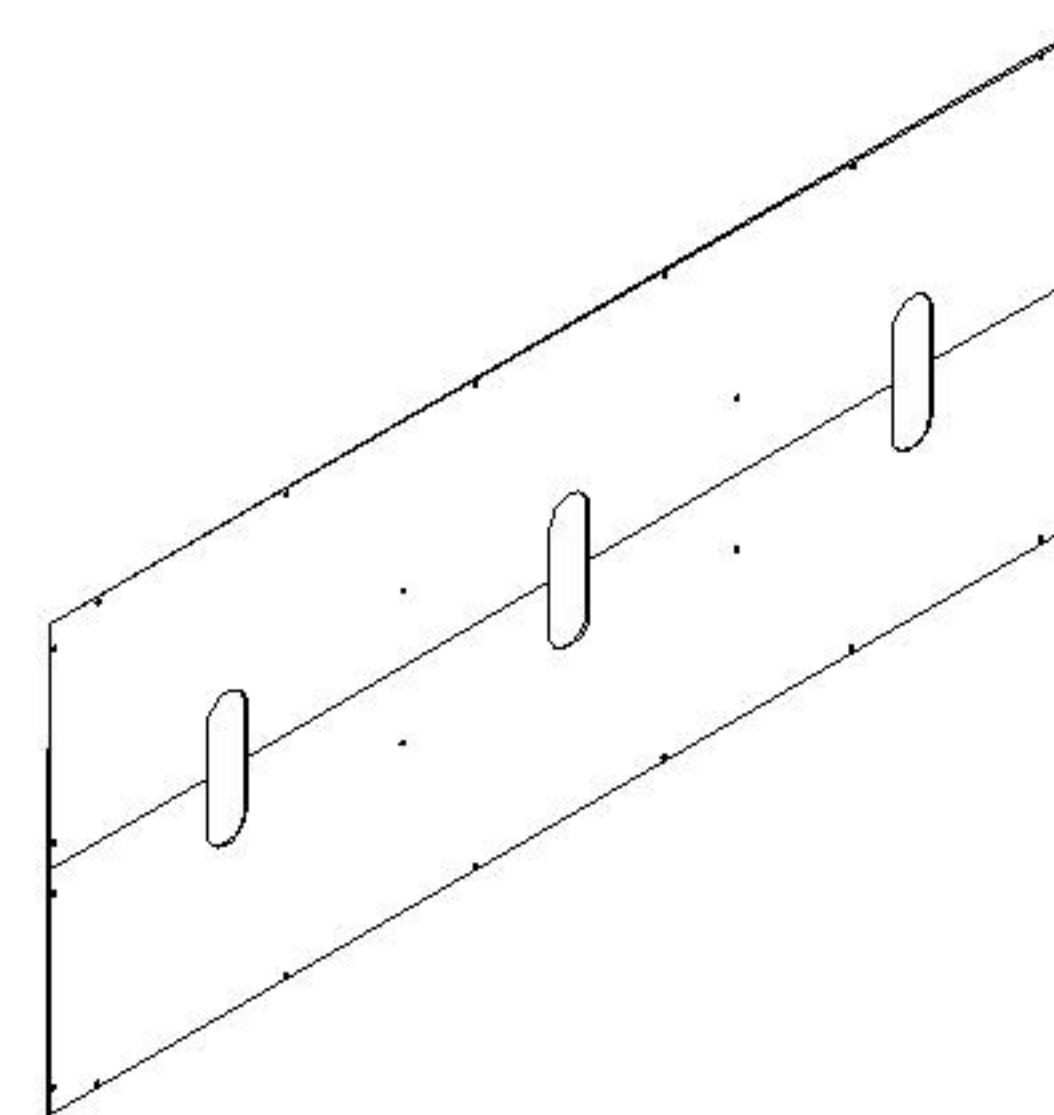
NAME: POST
CODE: 8
QTY: 4Pcs



NAME: SIDE SHELVING
CODE: 9
QTY: 2Pcs



NAME: CENTER SHELVING
CODE: 10
QTY: 1Pc



NAME: BACK PLY
CODE: 11
QTY: 1Pc

PARTS IN BOX 1

NAME: DOOR	QTY: 2Pcs	CODE: 7
NAME: SIDE SHELVING	QTY: 2Pcs	CODE: 9
NAME: CENTER SHELVING	QTY: 1Pc	CODE: 10
NAME: HARDWARE + AI	QTY: 1 PACK	
NAME: SLIDING ROLLER	QTY: 1 PACK	

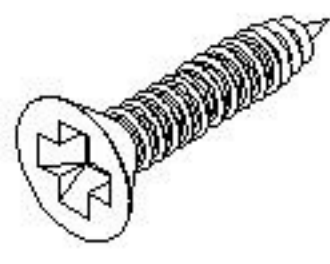
PARTS IN BOX 2

NAME: TOP PANEL	QTY: 1Pc	CODE: 1
NAME: BOTTOM PANEL	QTY: 1Pc	CODE: 4
NAME: POST	QTY: 4Pcs	CODE: 8
NAME: BACK PLY	QTY: 1Pc	CODE: 11

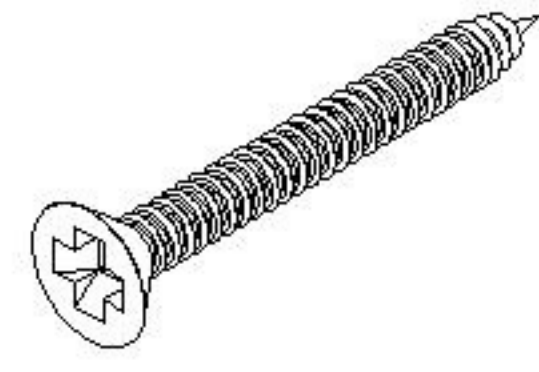
PARTS IN BOX 3

NAME: SIDE PANEL(LEFT)	QTY: 1Pc	CODE: 2
NAME: SIDE PANEL(RIGHT)	QTY: 1Pc	CODE: 3
NAME: PARTITION(LEFT)	QTY: 1Pc	CODE: 5
NAME: PARTITION(RIGHT)	QTY: 1Pc	CODE: 6

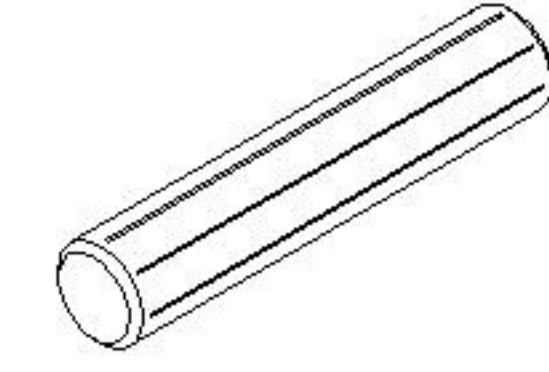
HARDWARE LIST



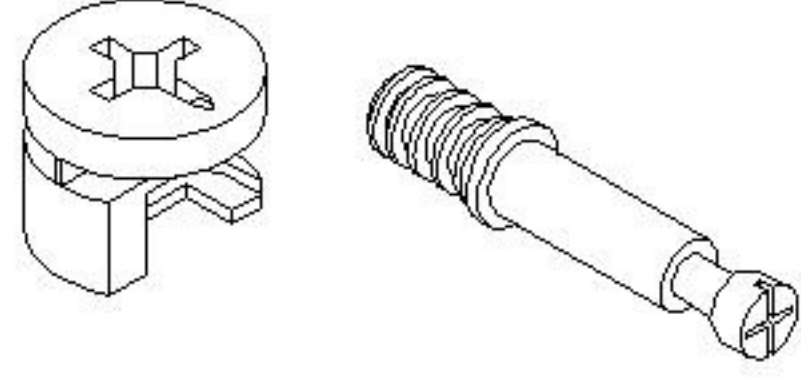
NAME: CHIPBOARD SCREW M3X16mm
CODE: A
QTY: 16Pcs



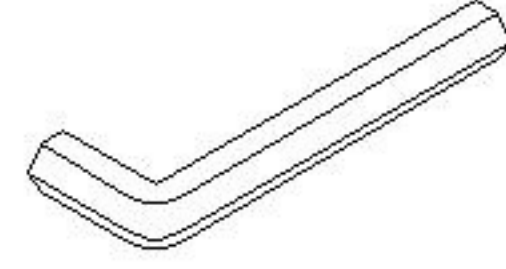
NAME: CHIPBOARD SCREW M4X38mm
CODE: B
QTY: 8Pcs



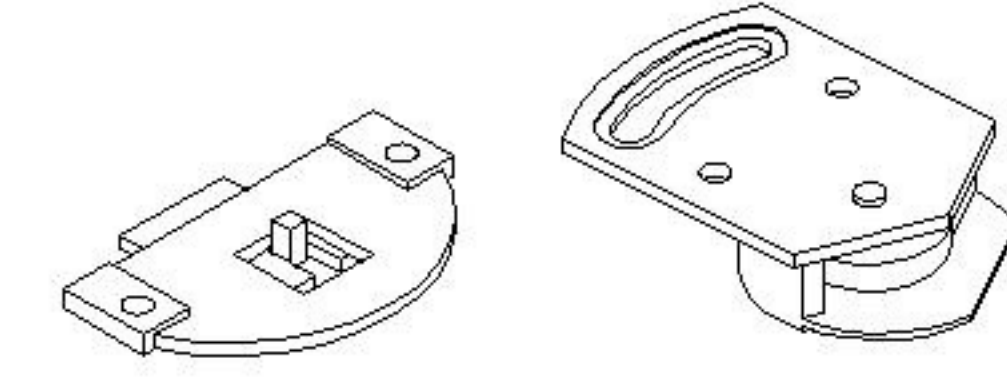
NAME: WOOD DOWEL M8X35mm
CODE: C
QTY: 16Pcs



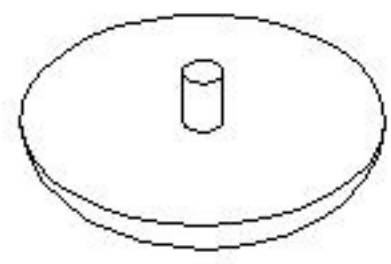
NAME: CAM LOCK & CAM BOLT
CODE: D
QTY: 8Sets



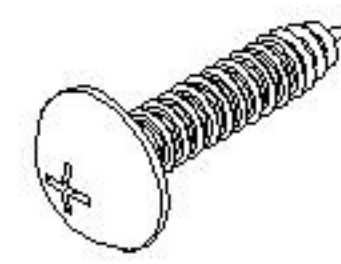
NAME: ALLEN KEY M4
CODE: E
QTY: 1Pc



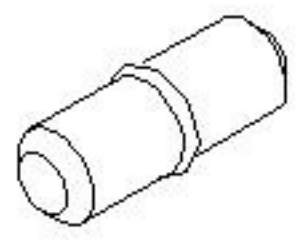
NAME: LD SLIDING ROLLER
CODE: F
QTY: 4Sets



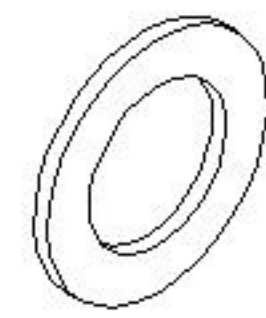
NAME: CAM LOCK COVER
CODE: G
QTY: 8Pcs



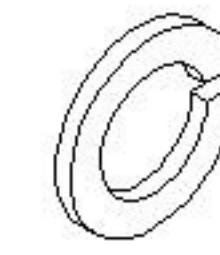
NAME: PANHEAD CHIPBOARD SCREW M4X16mm(BLACK)
CODE: H
QTY: 24Pcs



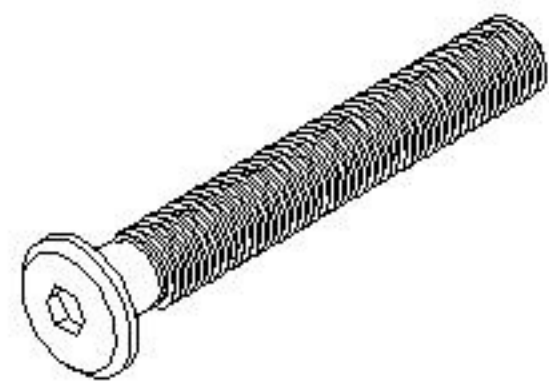
NAME: SHELVING SUPPORT
CODE: I
QTY: 12Pcs



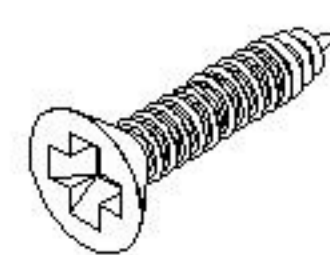
NAME: FLAT WASHER M6
CODE: J
QTY: 4Pcs



NAME: SPRING WASHER M6
CODE: K
QTY: 4Pcs



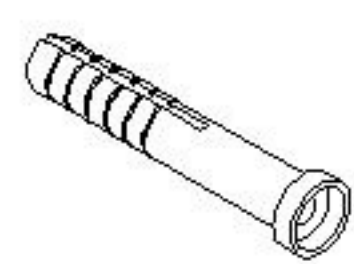
NAME: JCBC M6x45mm
CODE: L
QTY: 4Pcs



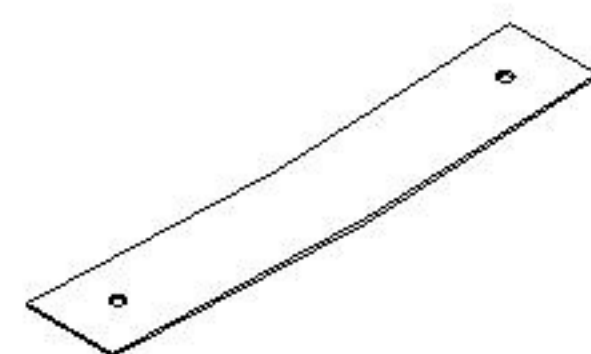
NAME: CHIPBOARD SCREW M4X25mm
CODE: W
QTY: 4Pcs



NAME: FLAT WASHER M4
CODE: X
QTY: 2Pcs



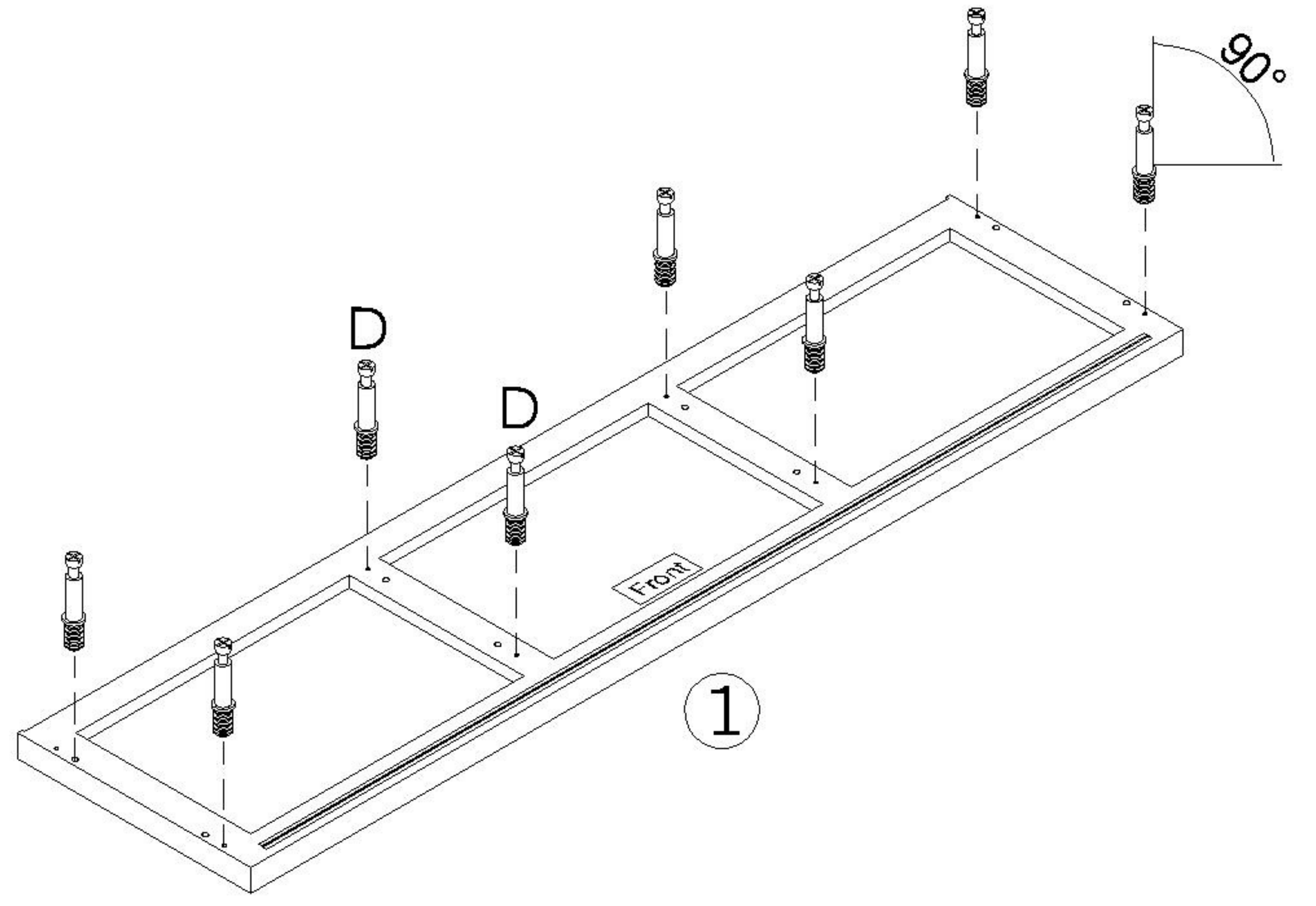
NAME: SCREW PLUG
CODE: Y
QTY: 2Pcs



NAME: SAFETY BELT (150mm)
CODE: Z
QTY: 2Pcs

STEP 1

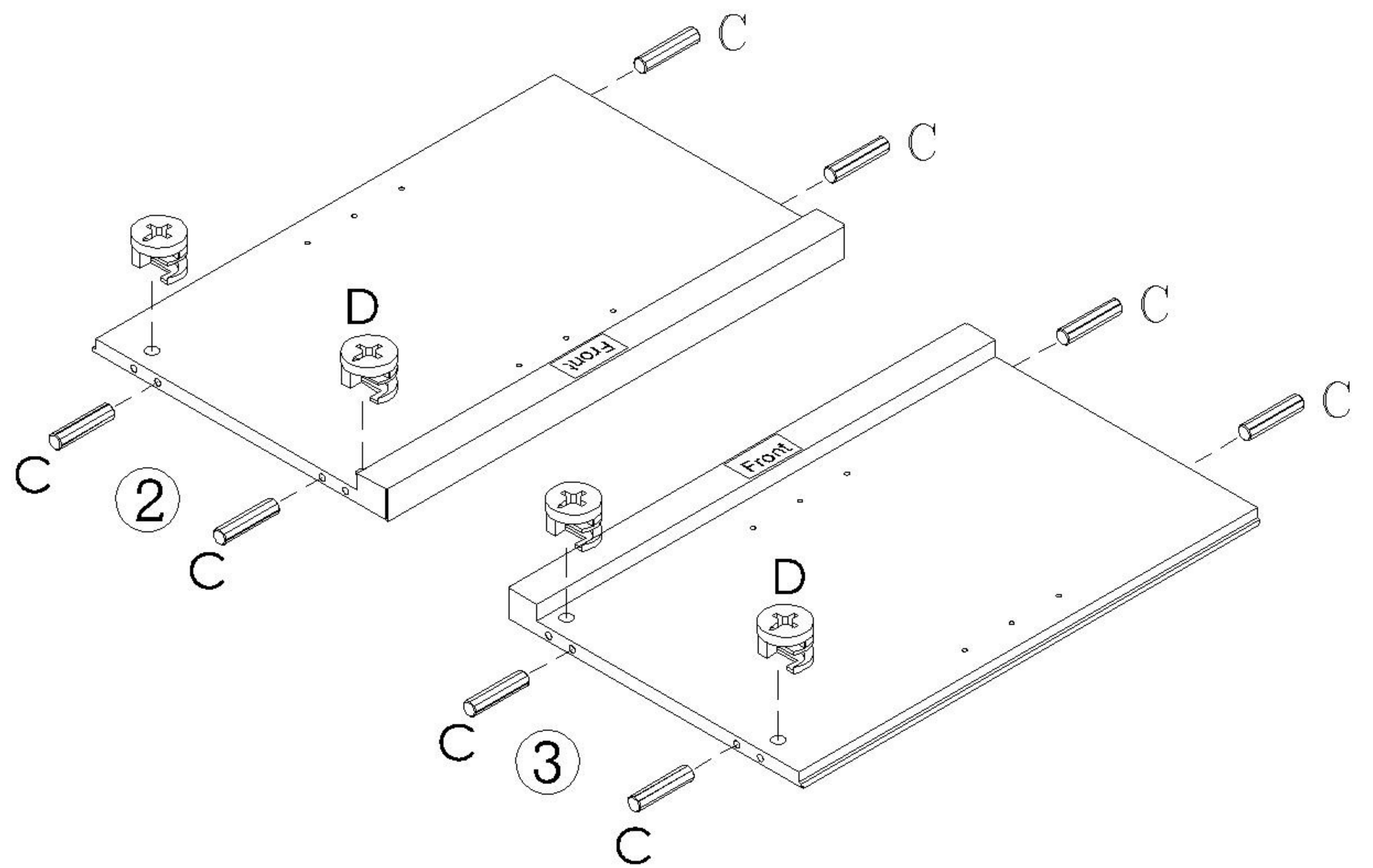
- A) Insert and secure Cam Bolt(D) to Top Panel)1(



STEP 2

- A) Insert Wood Dowel(C) to Left,Right Side Panel)2,3(
B) Attach Cam Lock(D) to Left,Right Side Panel)2,3(

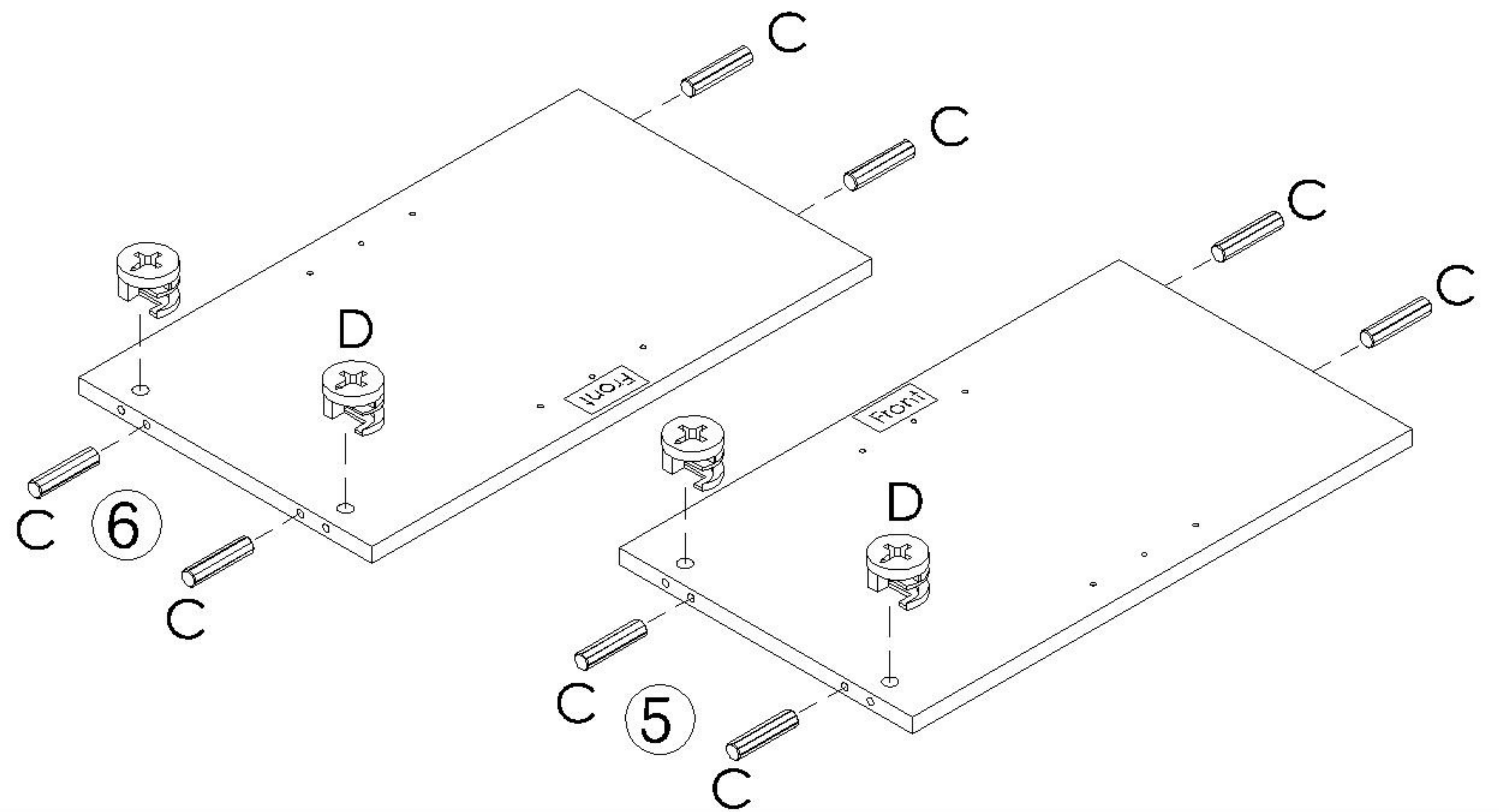
NOTE : Make sure arrows on each Cam Lock points towards nearest edge with holes



STEP 3

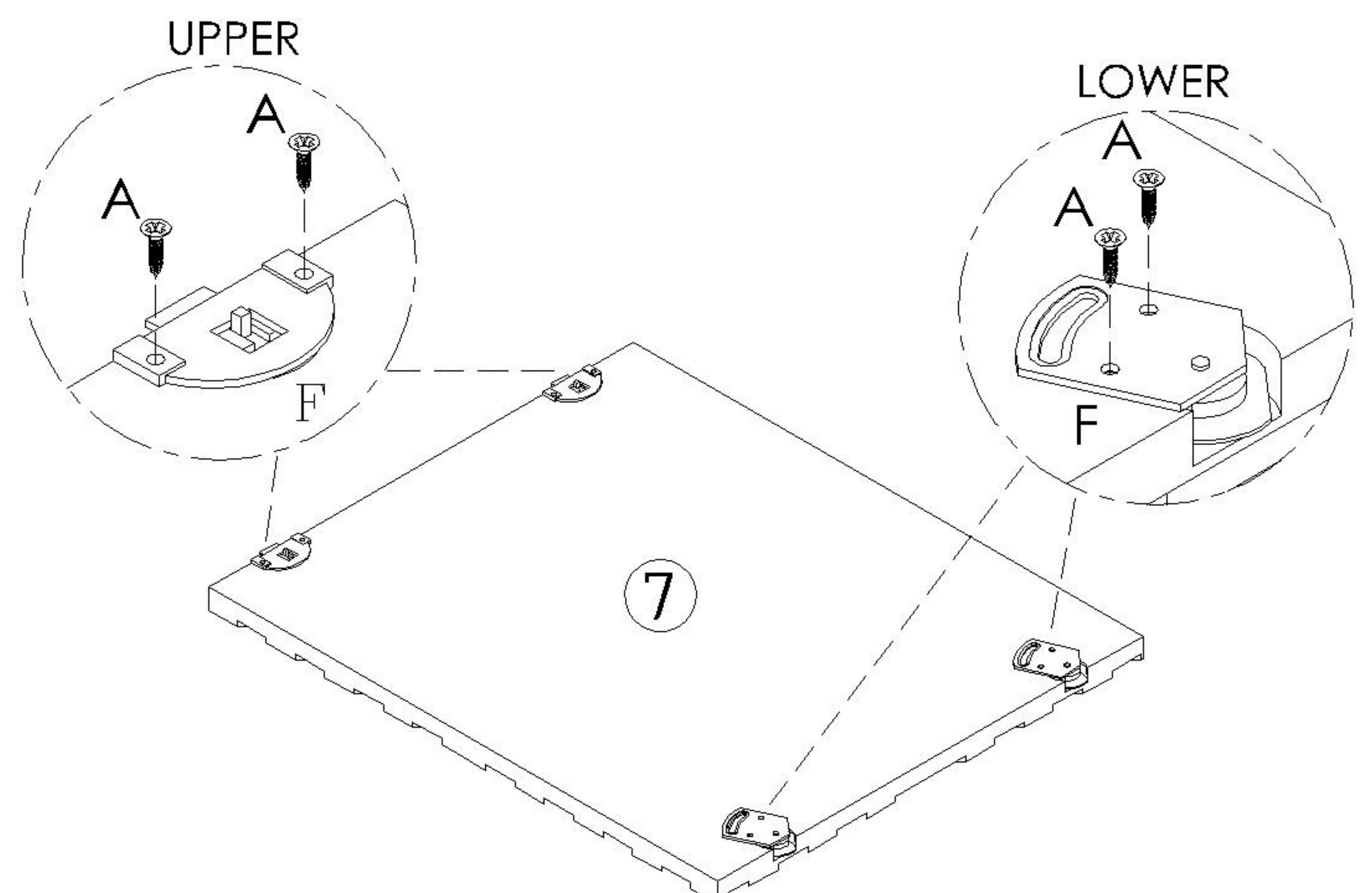
- A) Insert Wood Dowel(C) to Left,Right Partition)5,6(
B) Attach Cam Lock(D) to Left,Right Partition)5,6(

NOTE : Make sure arrows on each Cam Lock points towards nearest edge with holes



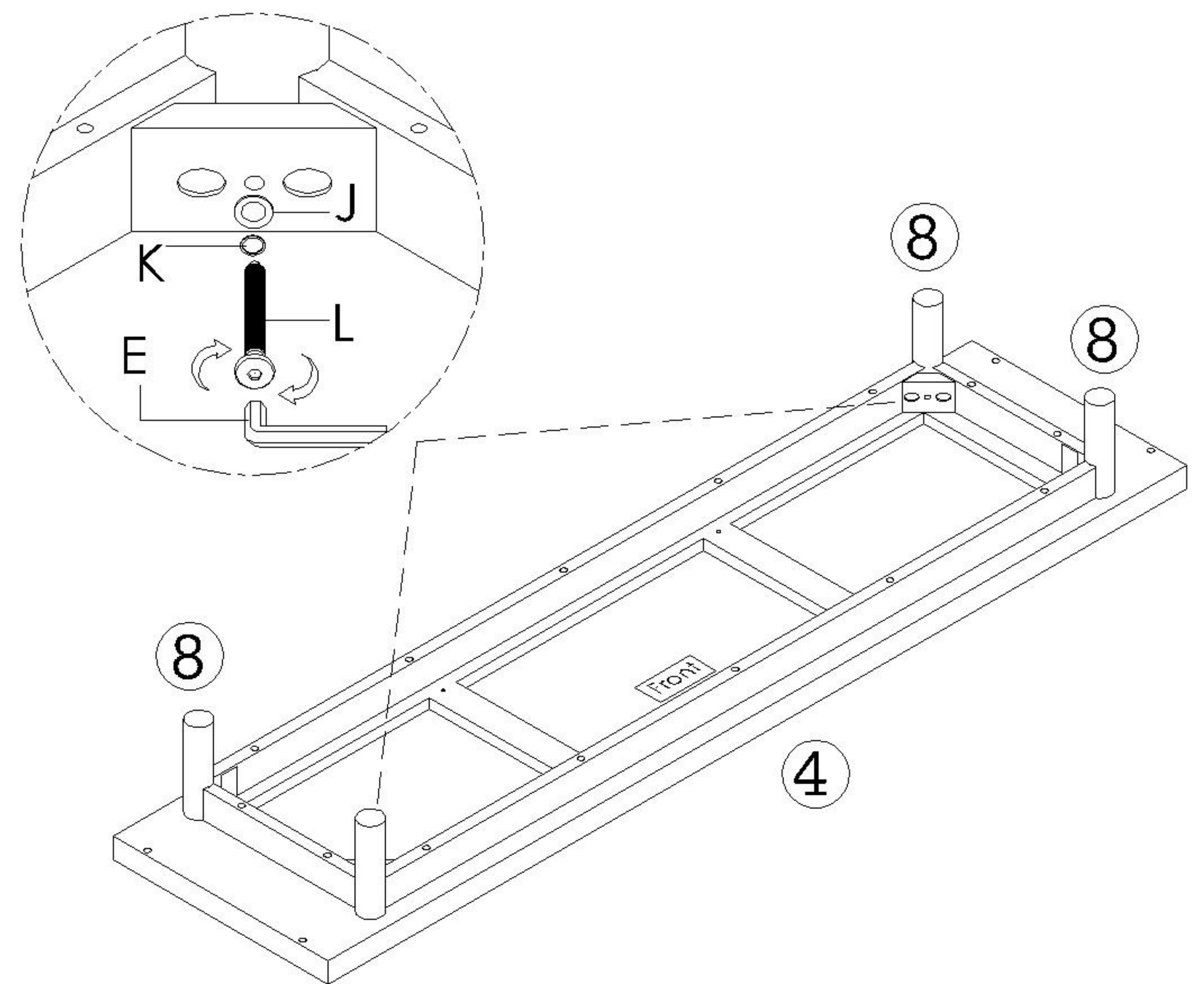
STEP 4

- A) Attach Roller (F) to both Door(7) using Chipboard Screw(A) to secure



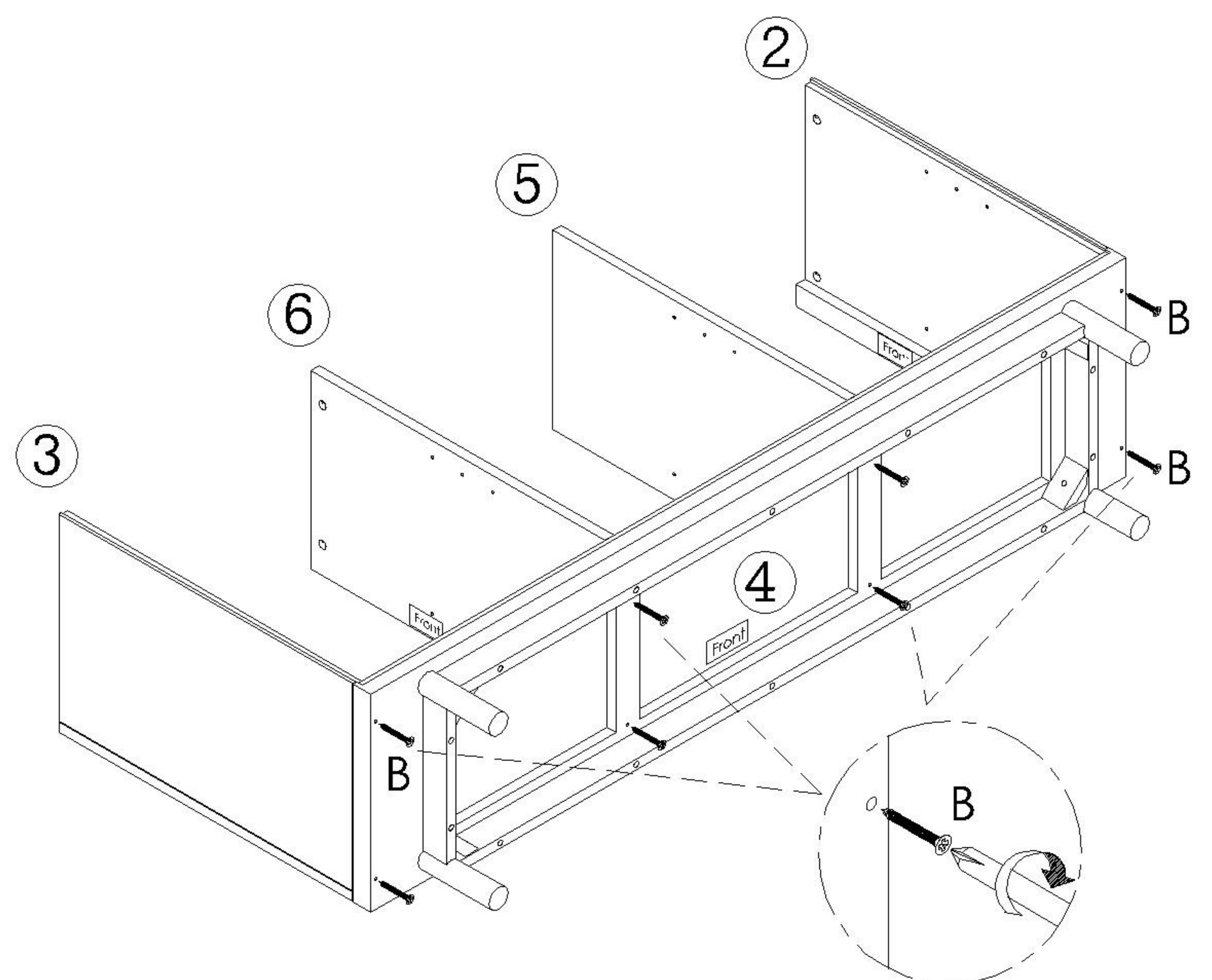
STEP 5

- A) Attach Post(8) to Bottom Panel(4) and secure with JCBC Screw(L), Spring Washer(K) & Flat Washer(J) tighten with Allen Key(E) clockwise



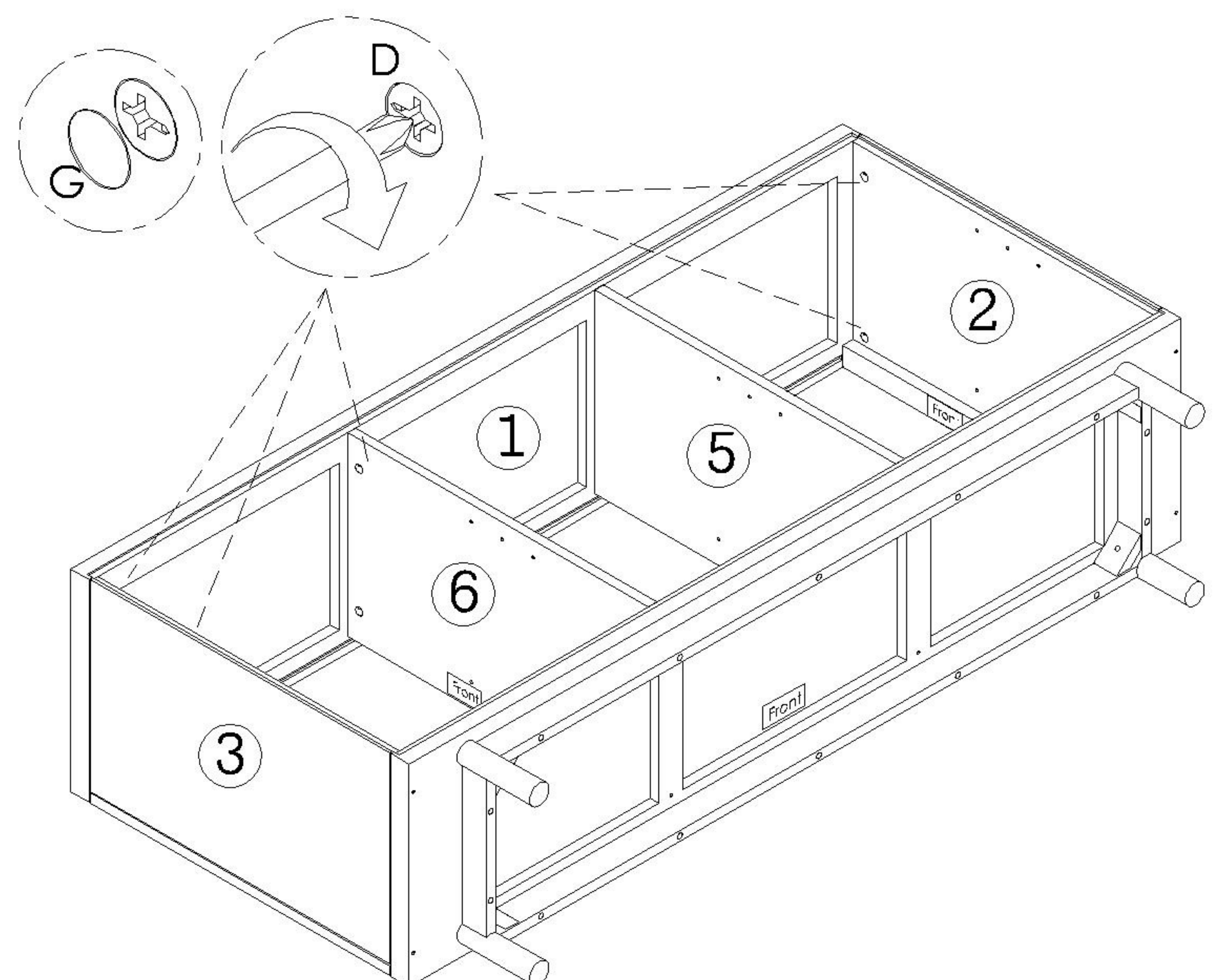
STEP 6

- A) Attach Bottom Panel(4) to underneath of Left,Right Side Panel (2,3) and Left,Right Partition(5,6) secure with Chipboard Screw(B)



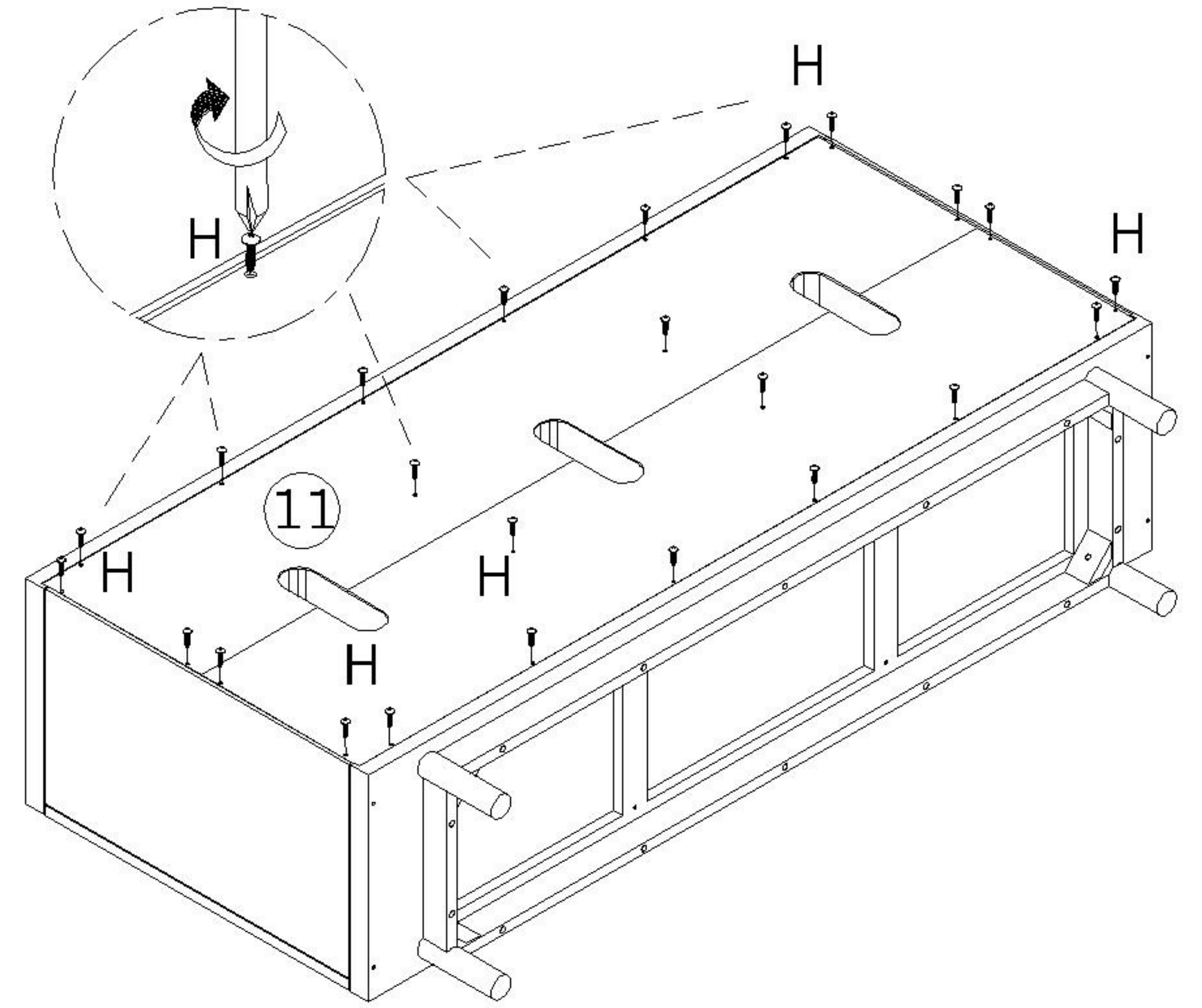
STEP 7

- A) Attach Top Panel(1) to Left,Right Side Panel(2,3) and Left,Right Partition(5,6) secure with Cam Lock(D)
- B) Cover Cam Lock with Cam Lock Cover(G)



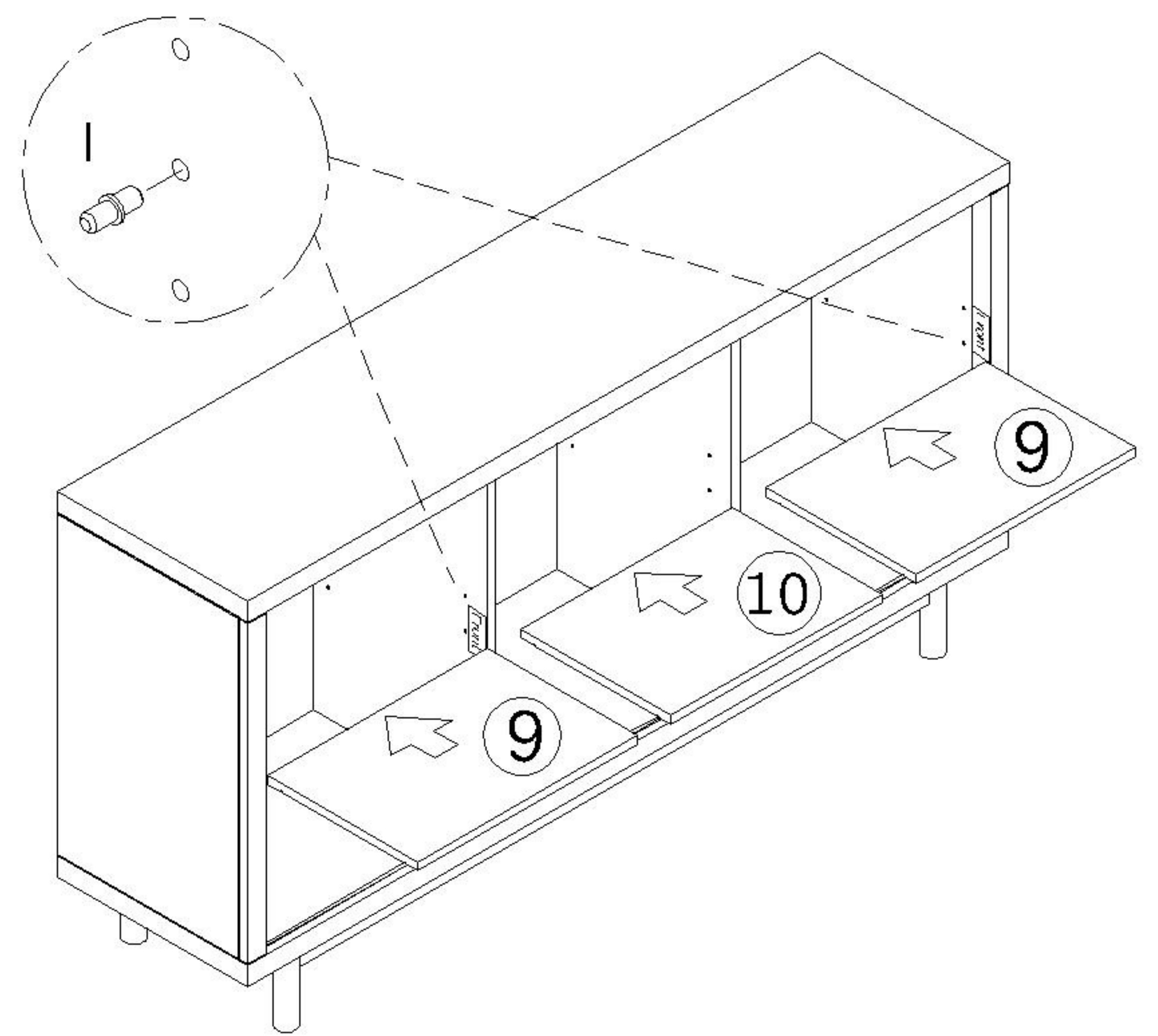
STEP 8

- A) Attach Back Plywood(11) to assembled unit using Panhead Chipboard Screw(Black)(H) to secure



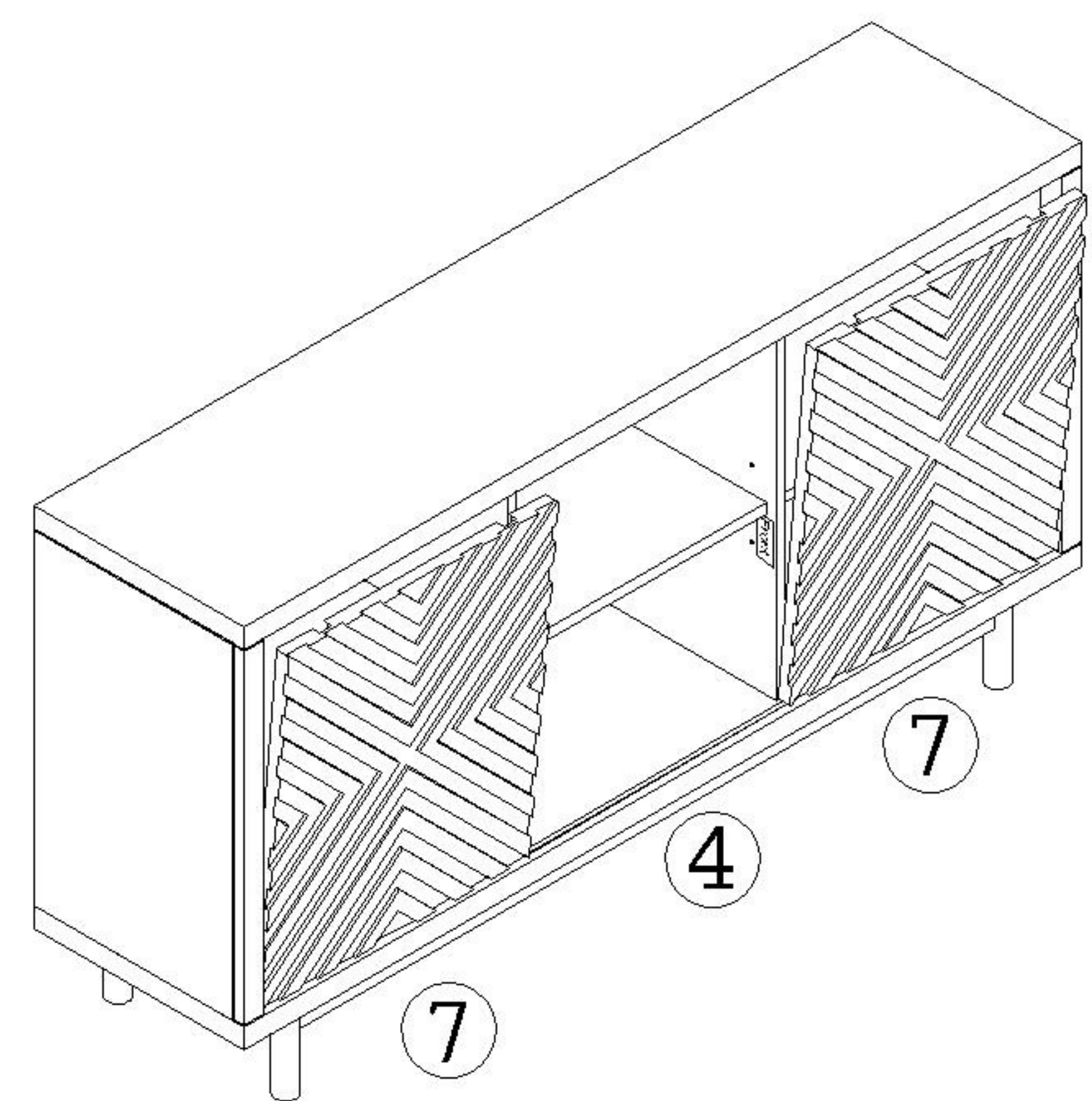
STEP 9

- A) Insert Shelving Support(I) into Left,Right Side Panel(2,3) and Left,Right Partition)5,6(at desired shelf heights
- B) Slot in Side,Center Shelving)9,10(

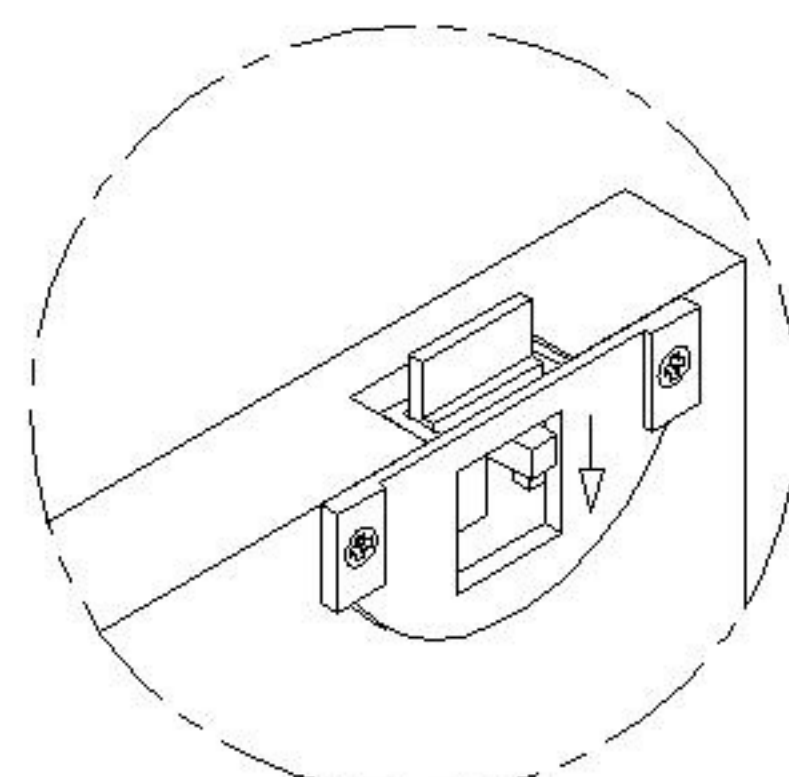
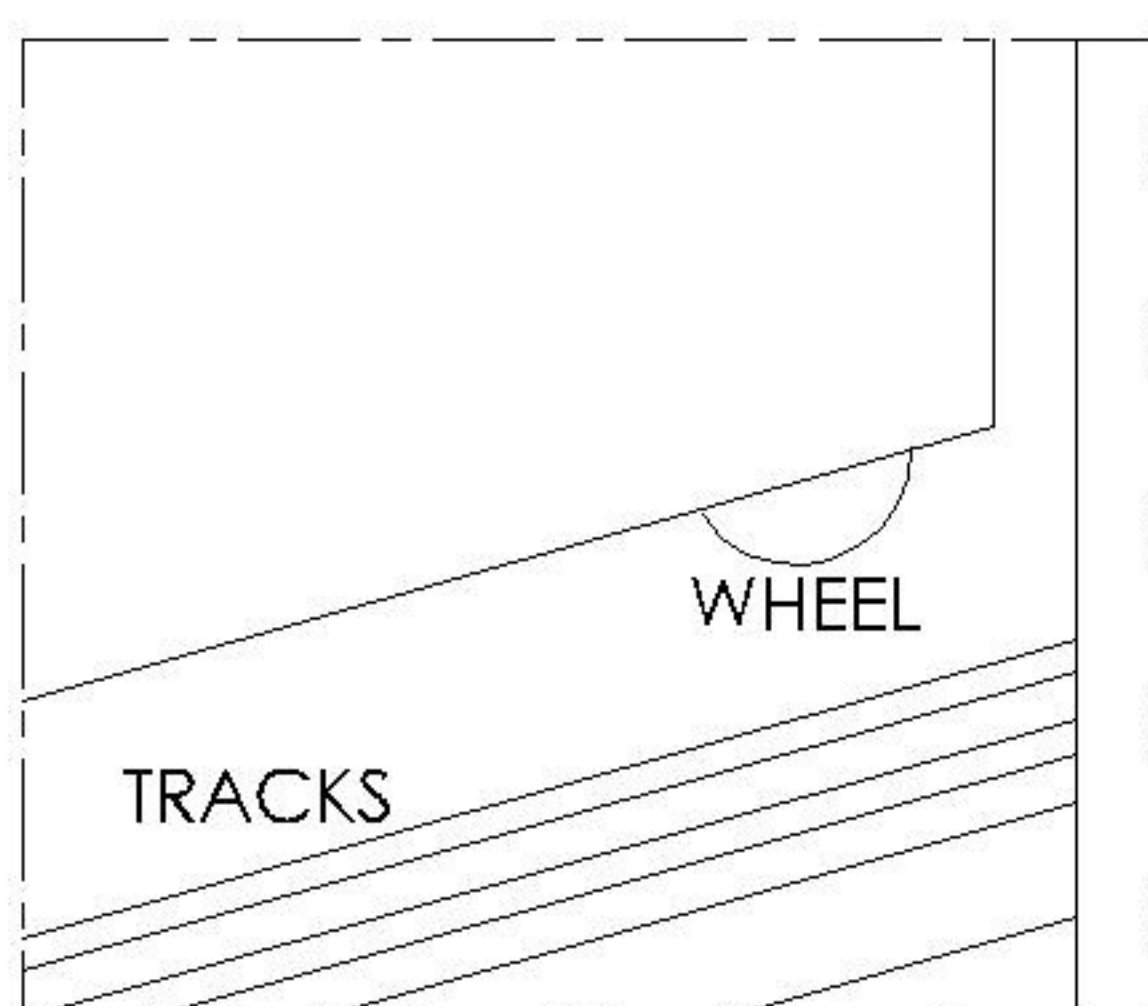


STEP 10

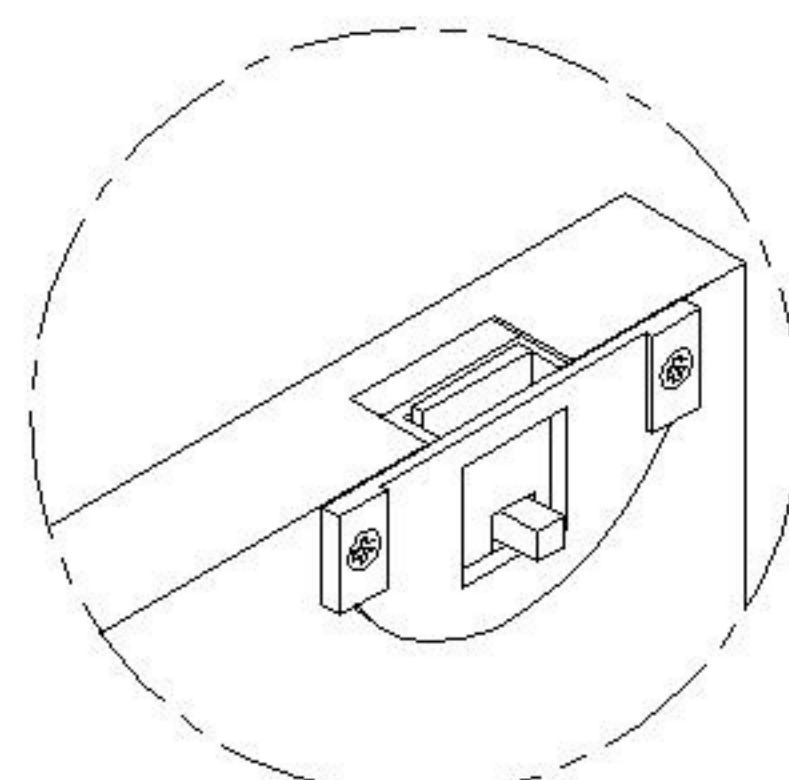
- A) Attach Door(7) to assembled unit
- i) Sit door on Bottom Panel(4). Make sure wheels sit onto the track
- ii) Push pin to unlocked position to allow door to align with track at the top. Release pin, catch will spring back and falls into the track



(i)Bottom of Door

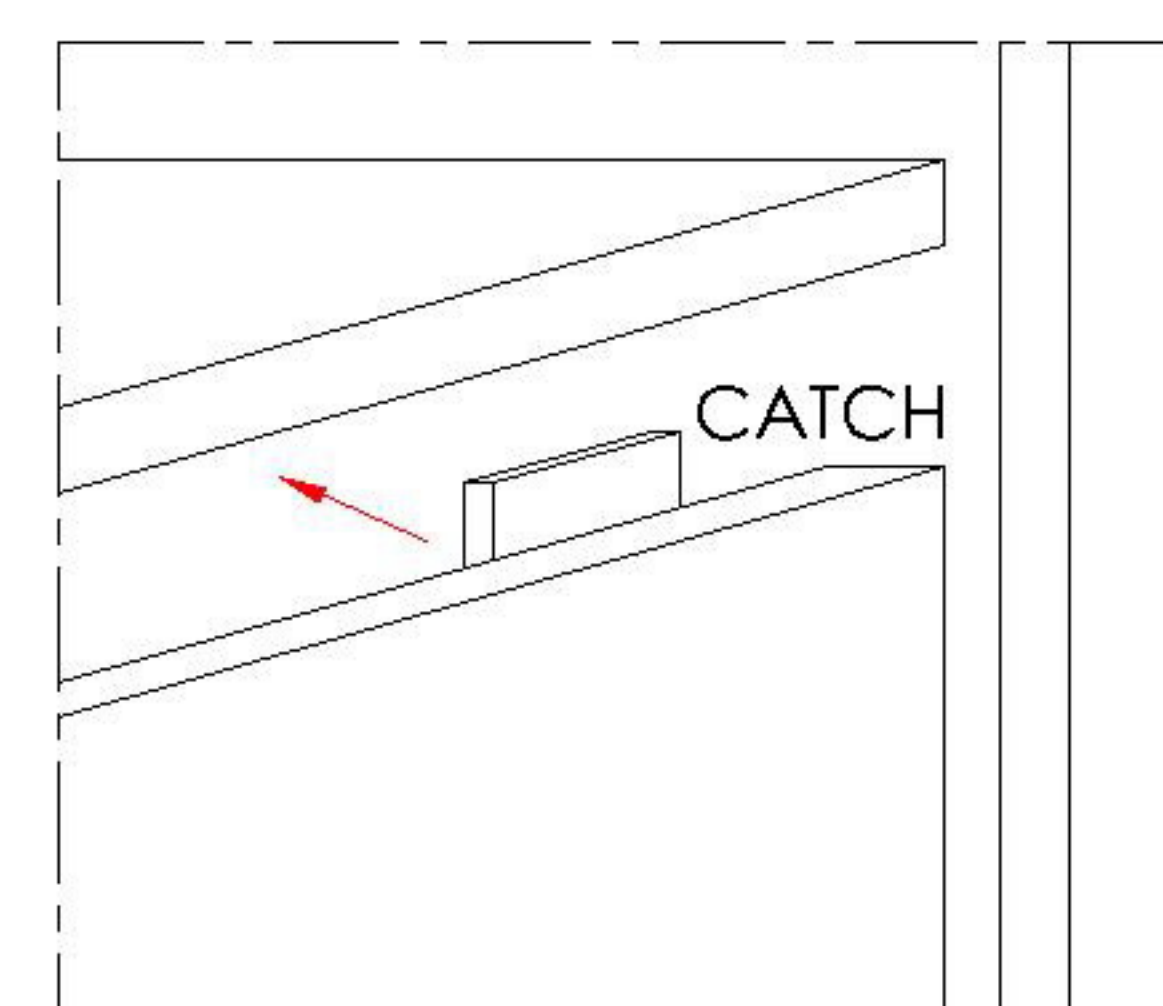


LOCKED POSITION



UNLOCKED POSITION

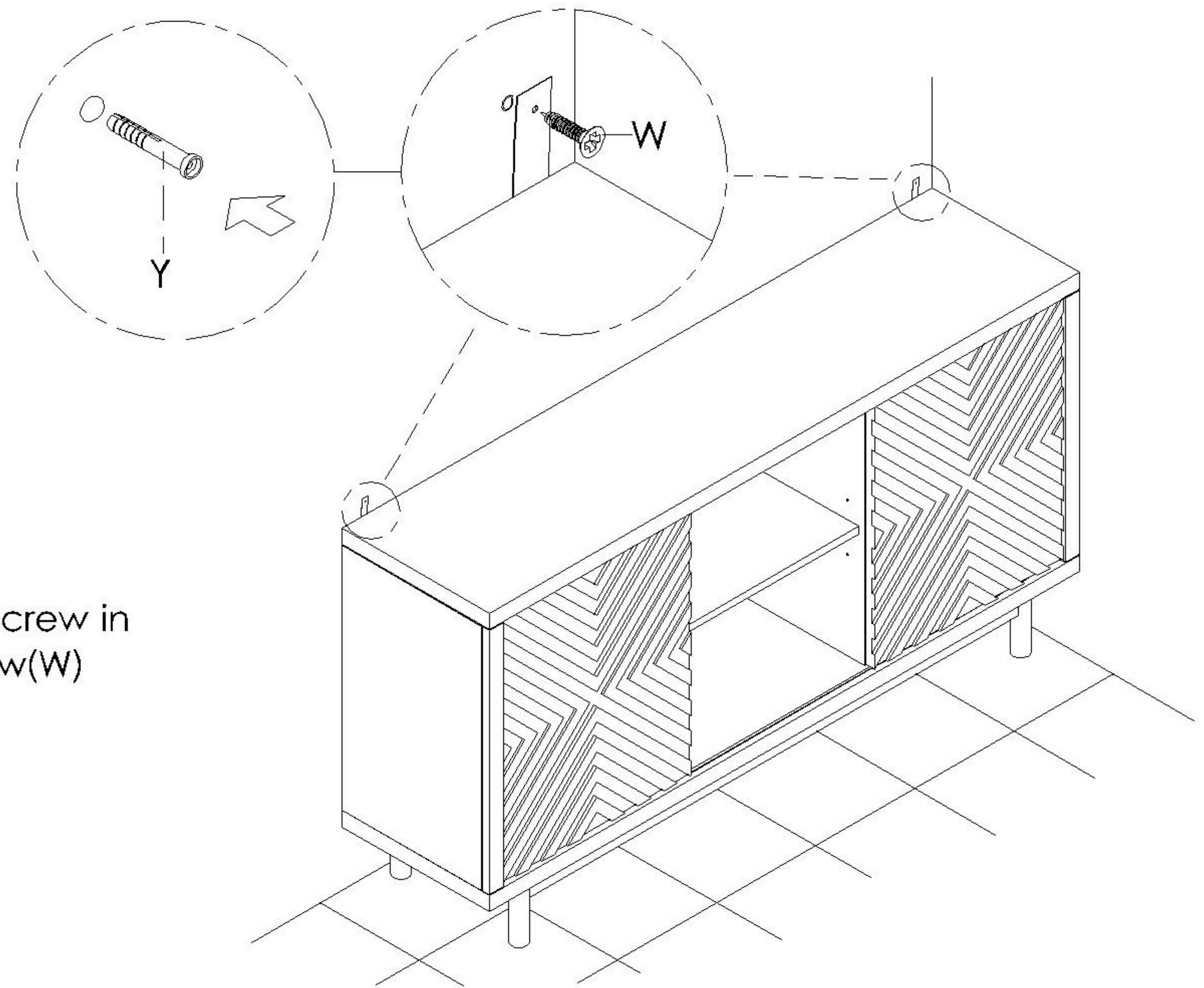
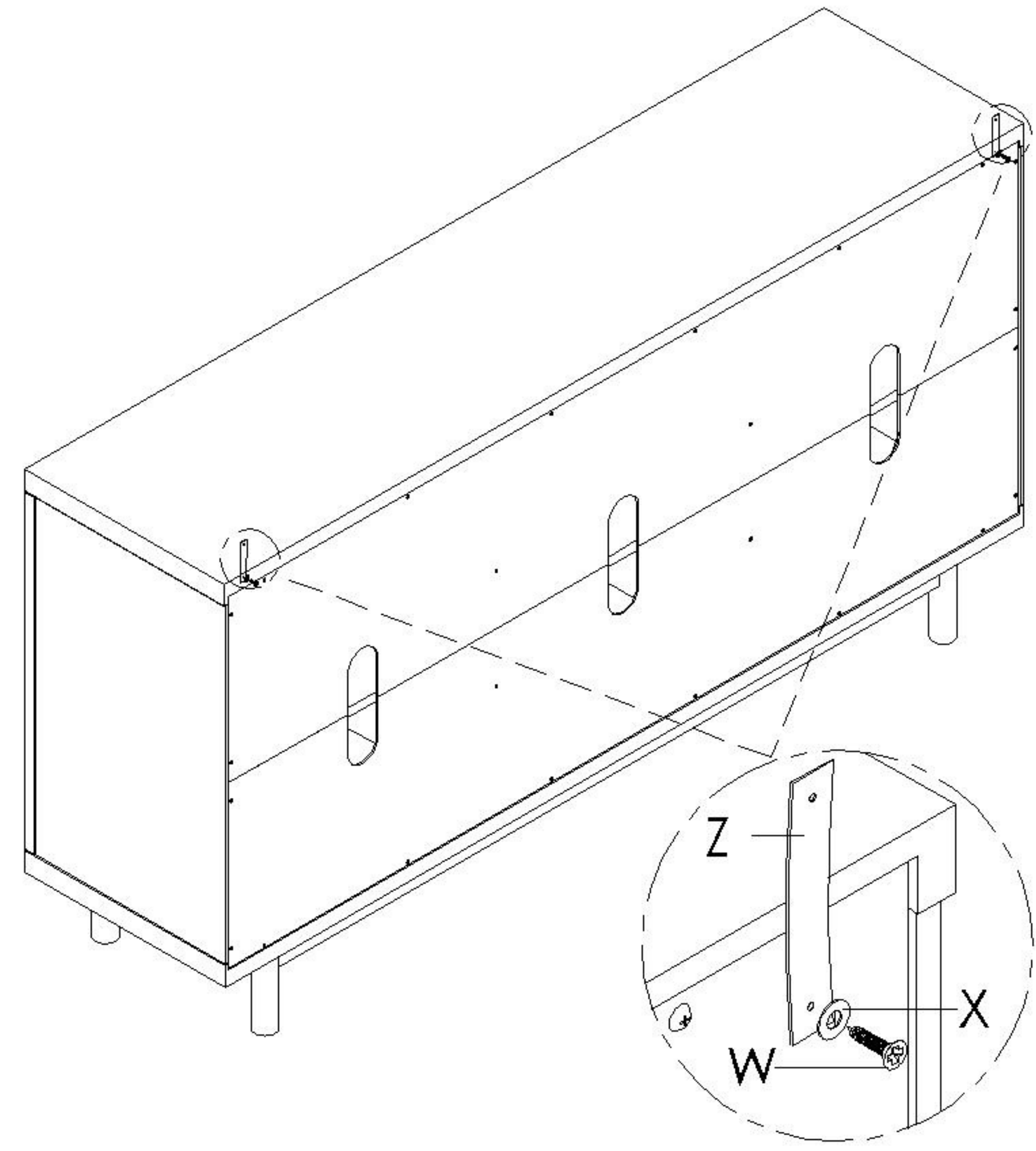
(ii)Top of Door



STEP 11

*Following step is OPTIONAL. Follow these steps if you wish to secure unit to a wall for added safety

- i) Attach Safety Belt(Z) to Back Plywood and secure using Flat Washer(X) Chipboard Screw(W) to secure



- ii) Drill a hole at the wall, insert Screw Plug(Y) into hole
- iii) Move assembled unit to wall and Screw in Safety Belt(Z) using Chipboard Screw(W)