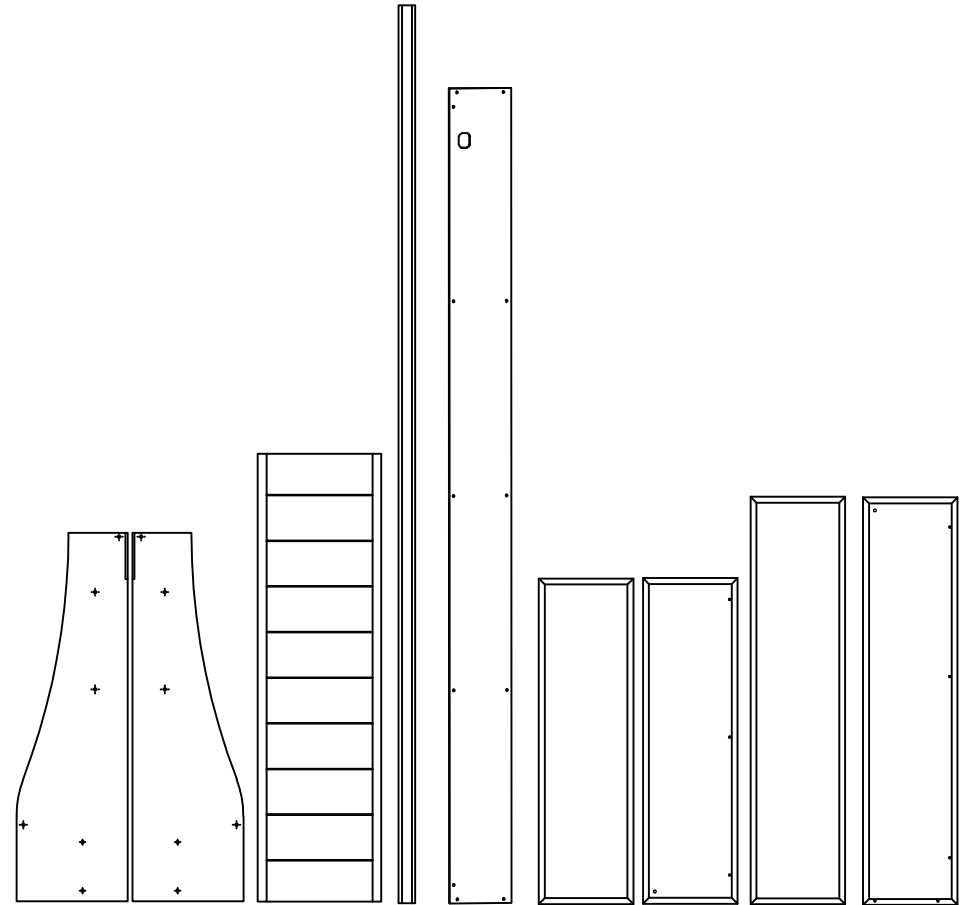
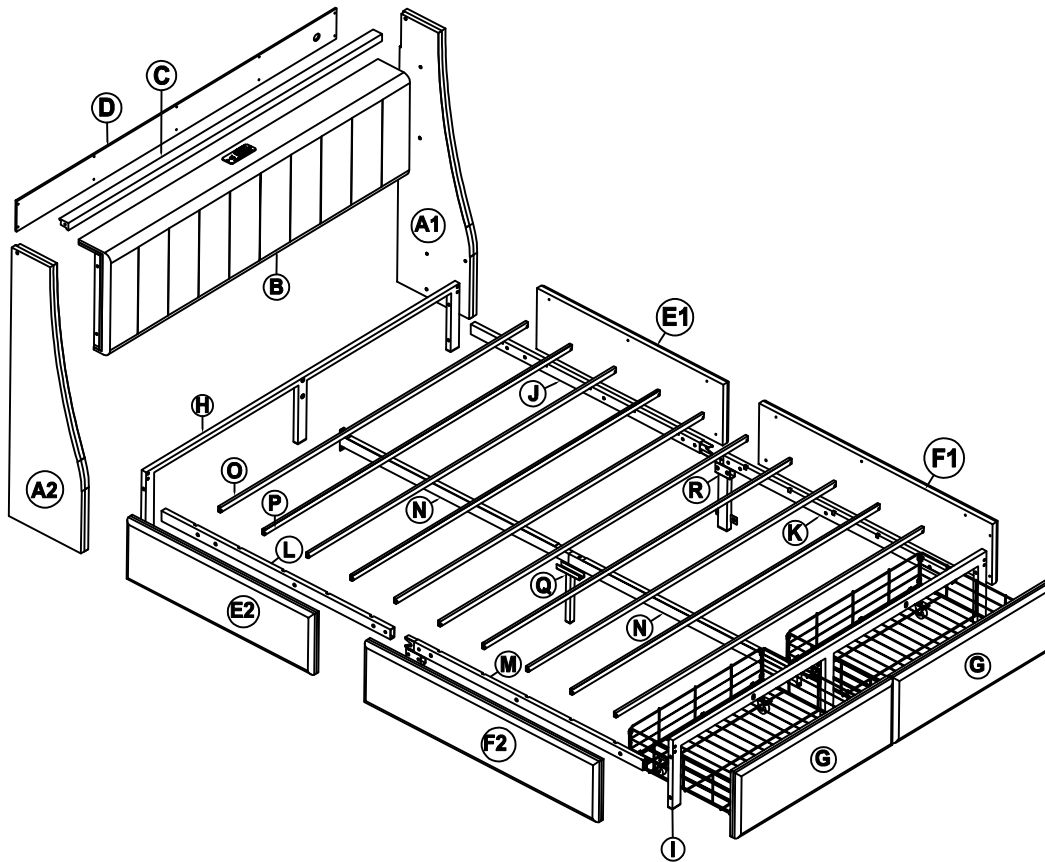


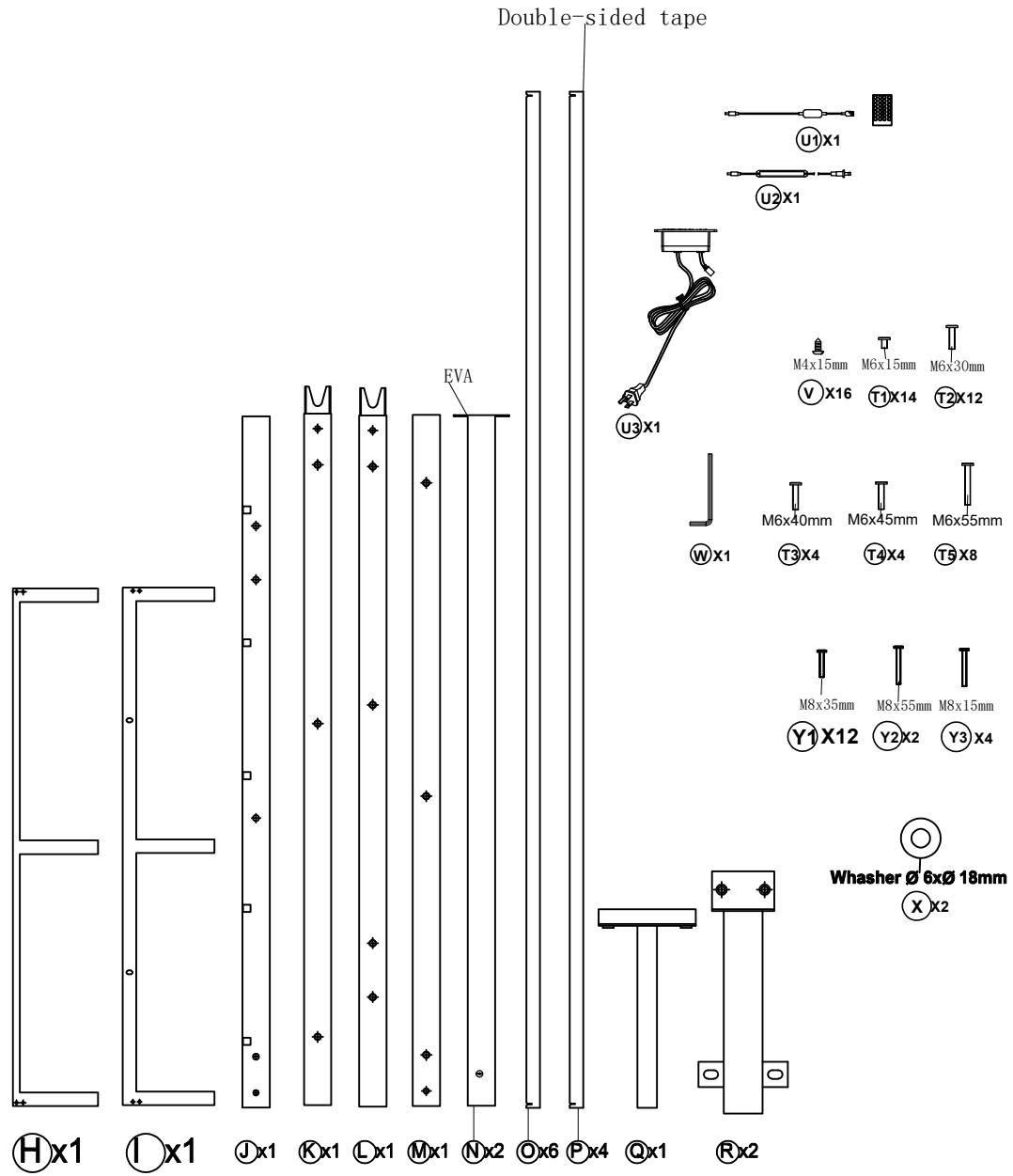
PRODUCT GUIDE AND INSTALLATION MANUAL

Parts List:

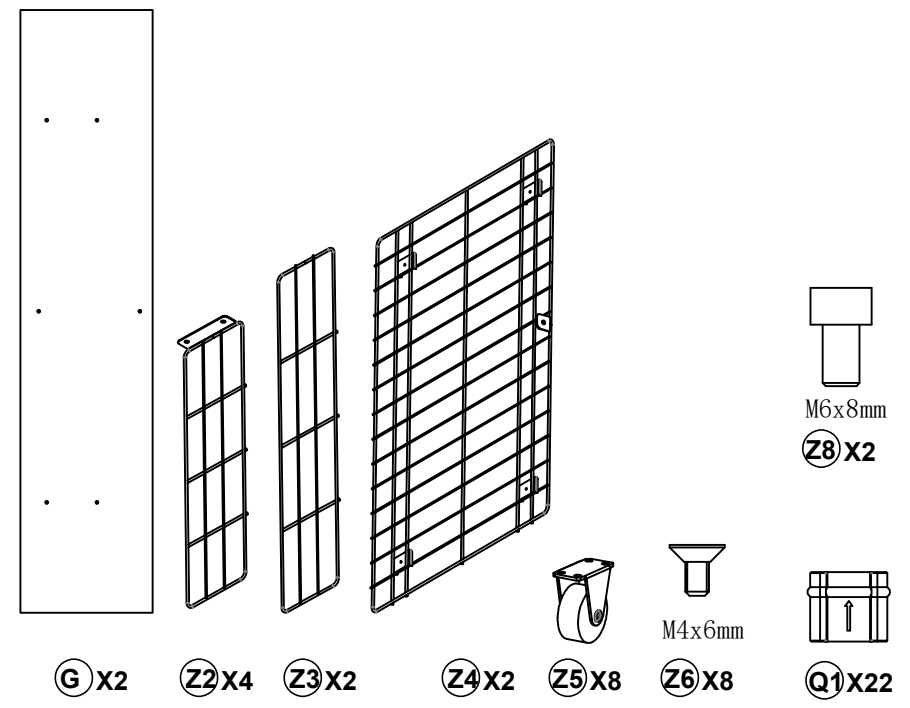


- (A1)x1
- (A2)x1
- (B)x1
- (C)x1
- (D)x1
- (E1)x1
- (E2)x1
- (F1)x1
- (F2)x1

Parts List:

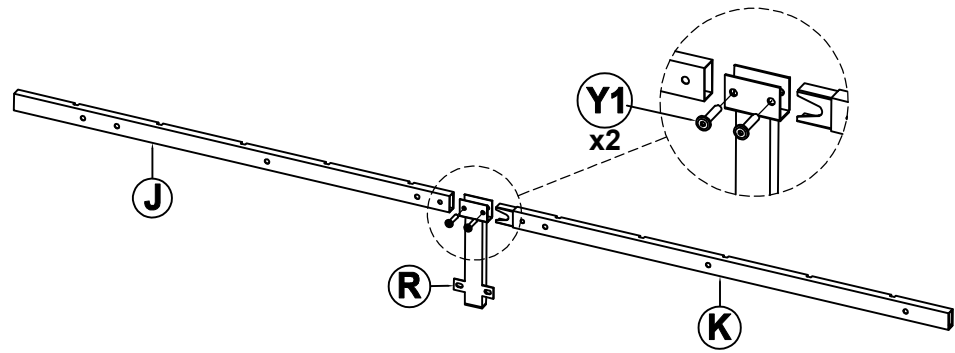


Parts List:

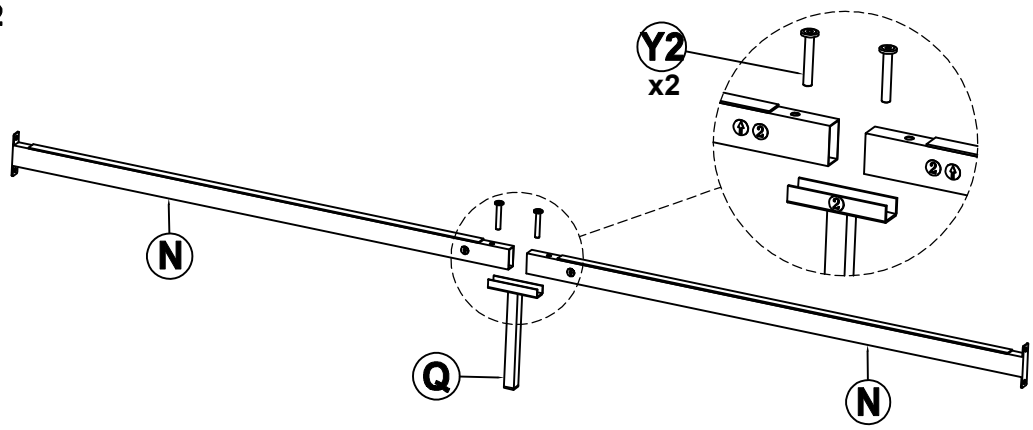


1.1

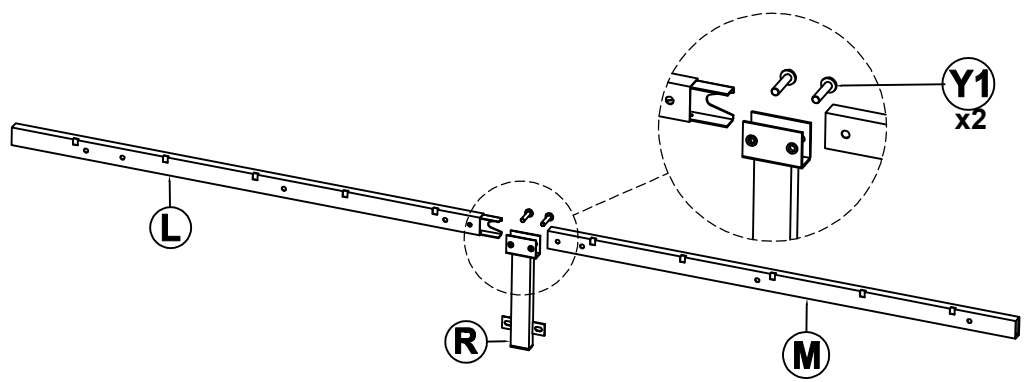
Step 1



1.2

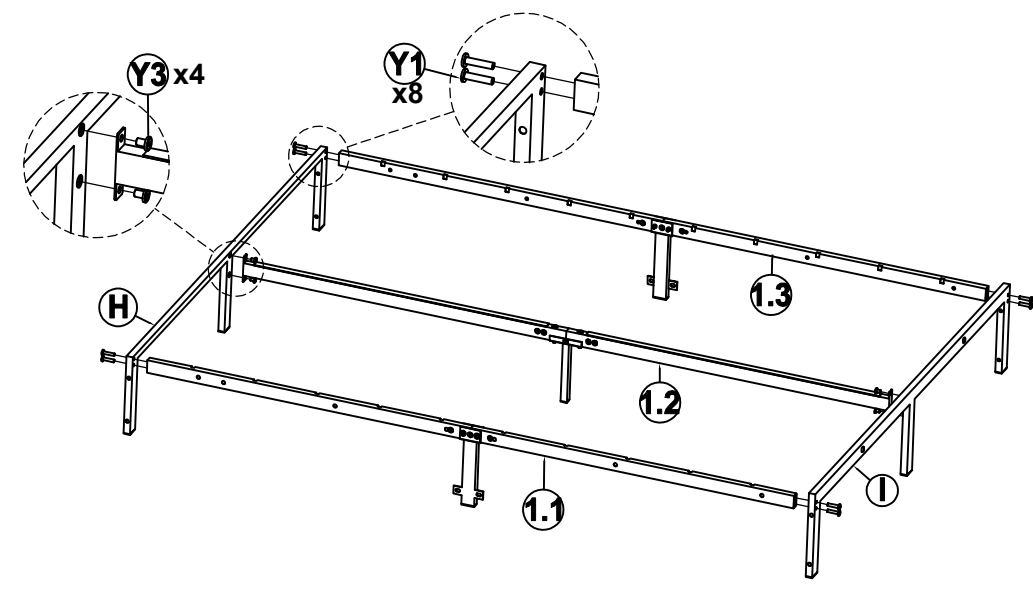


1.3

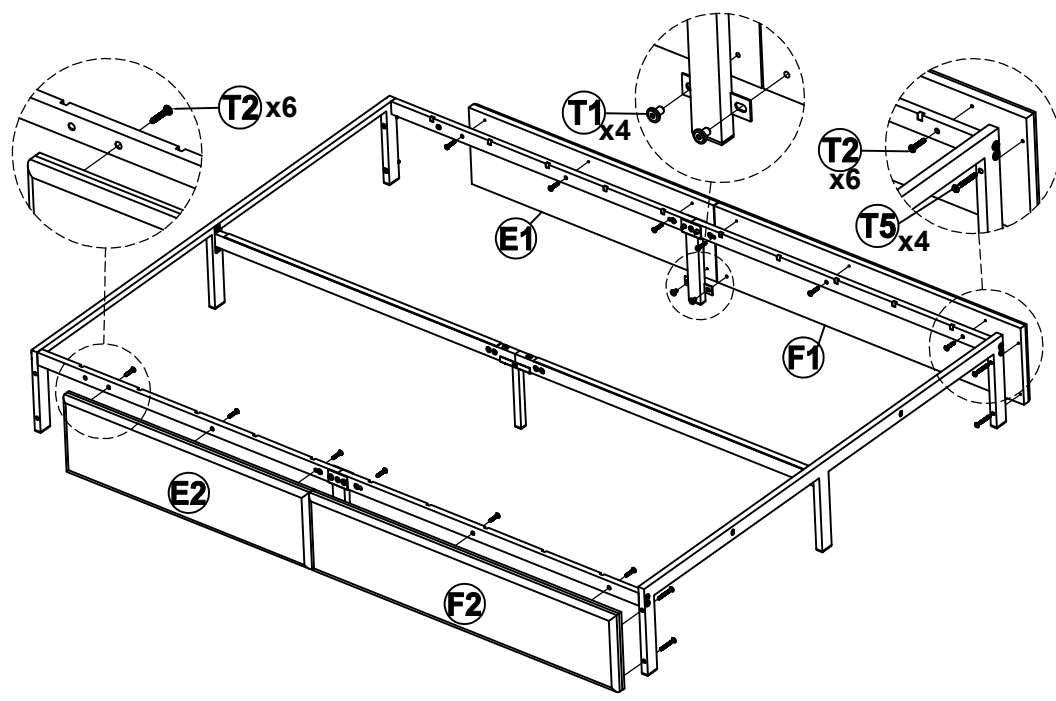


2.1

Step 2

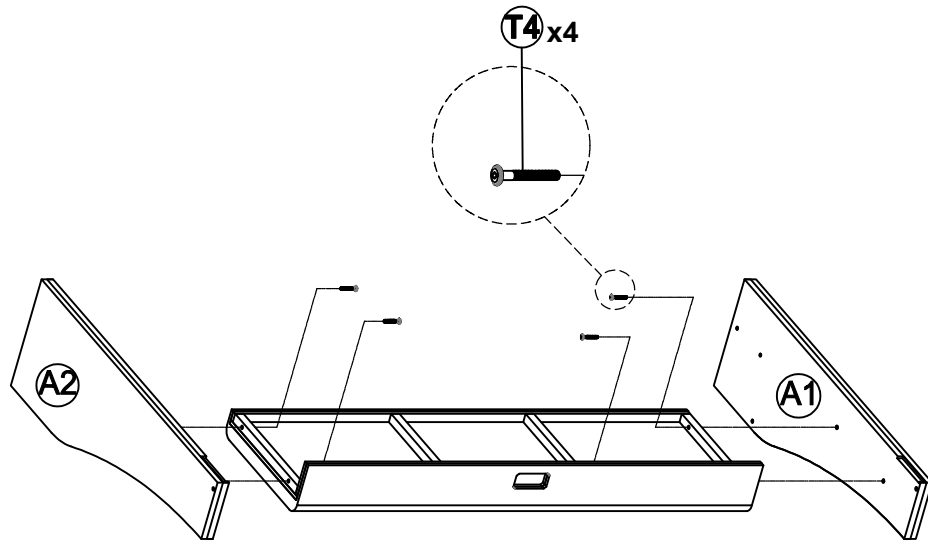


2.2



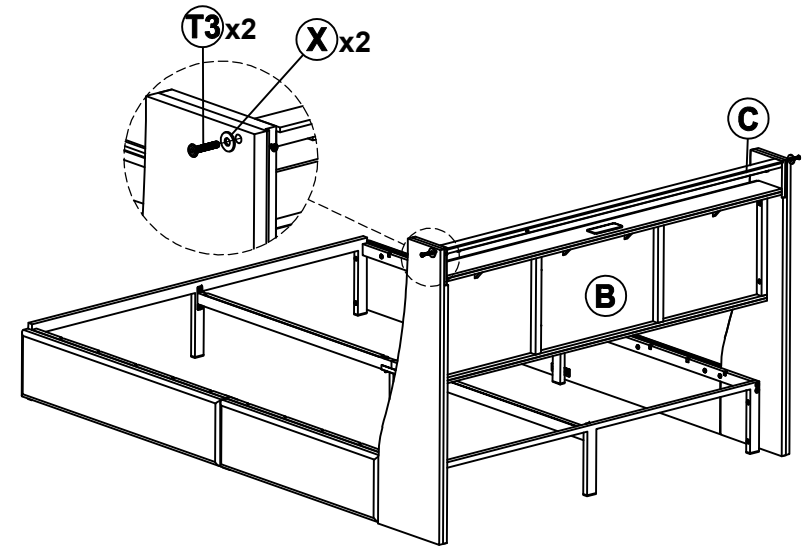
Step 3

3.1

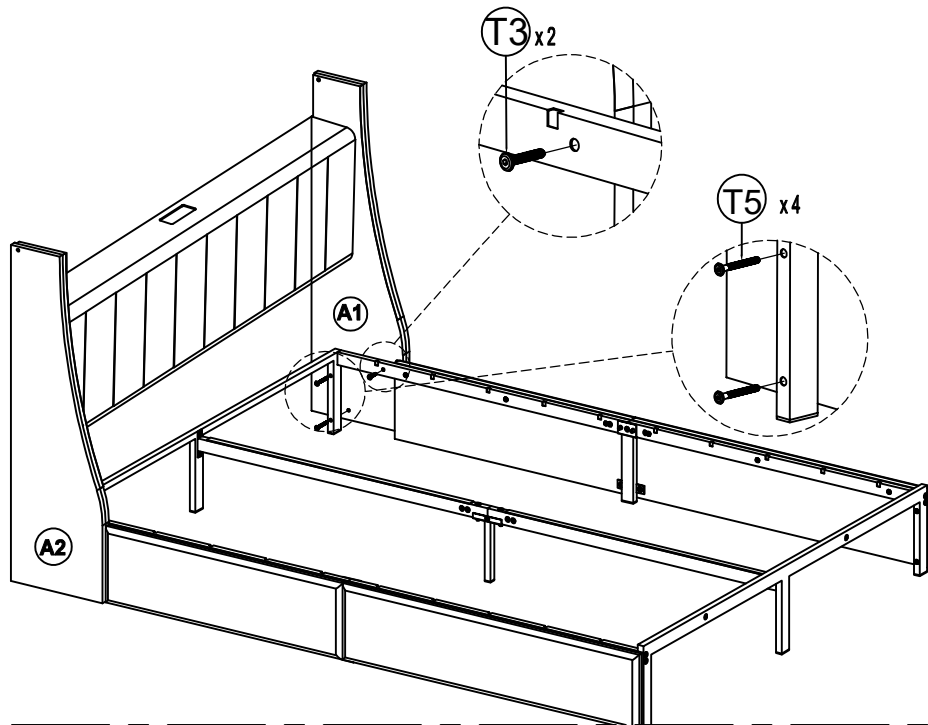


Step 4

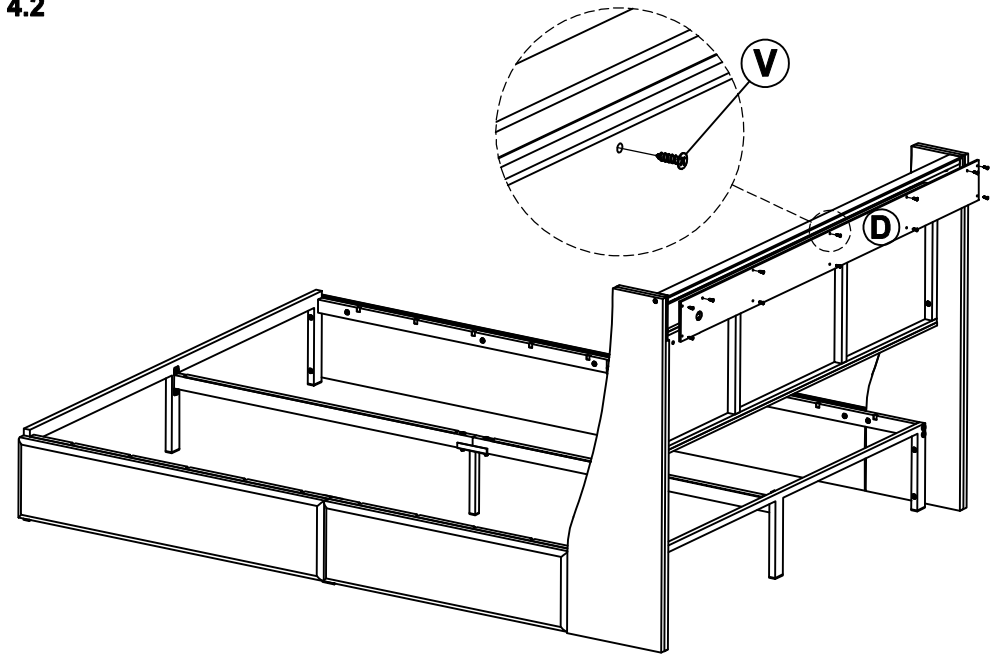
4.1



3.2

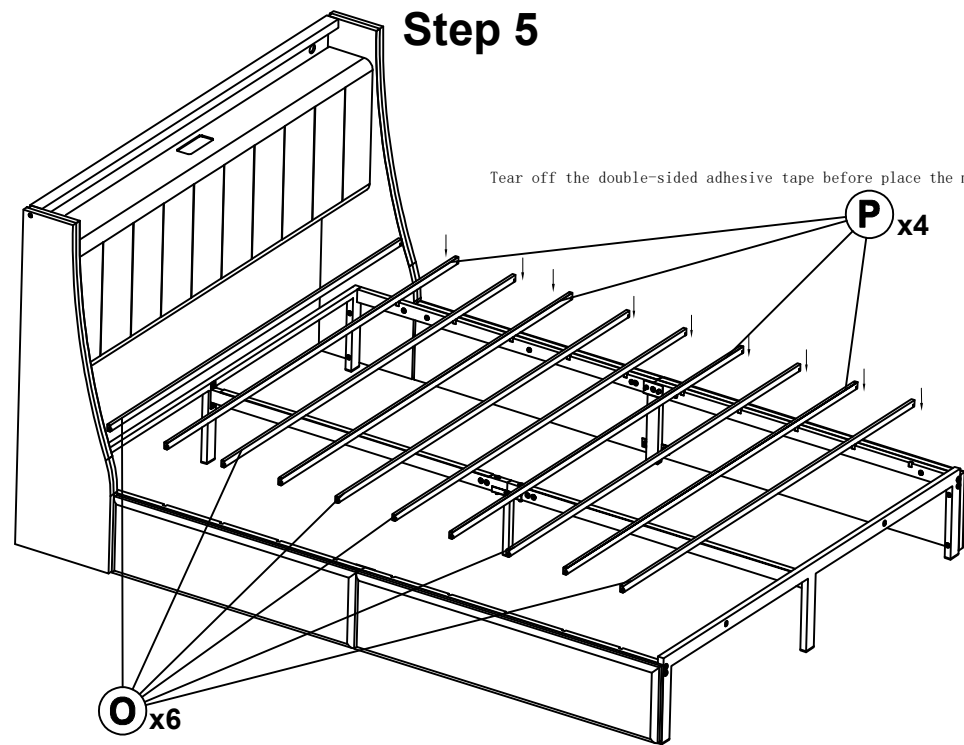


4.2



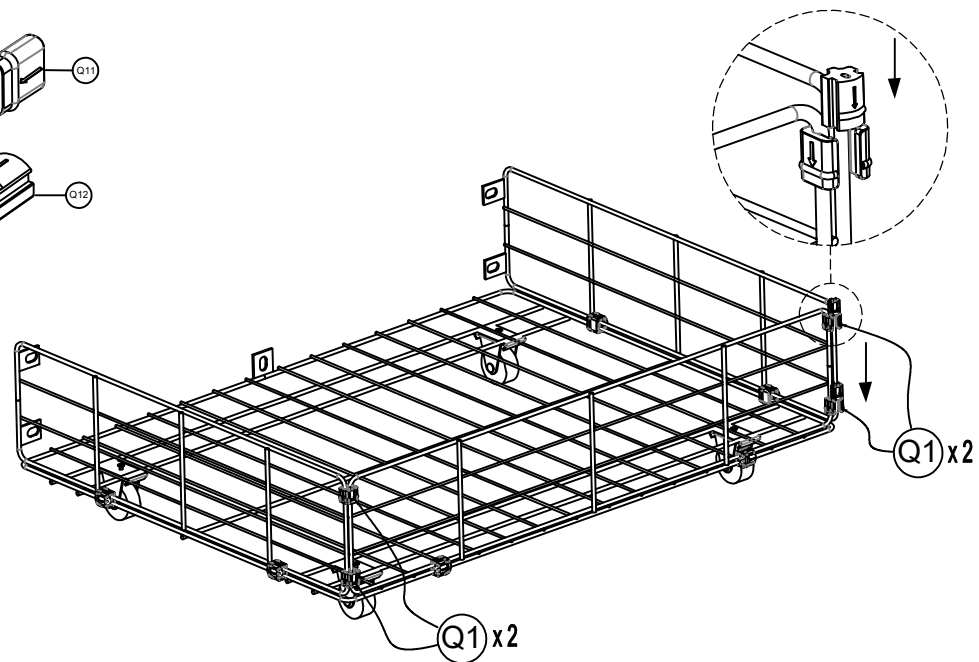
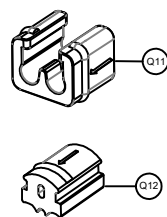
5.1

Step 5



Step 6

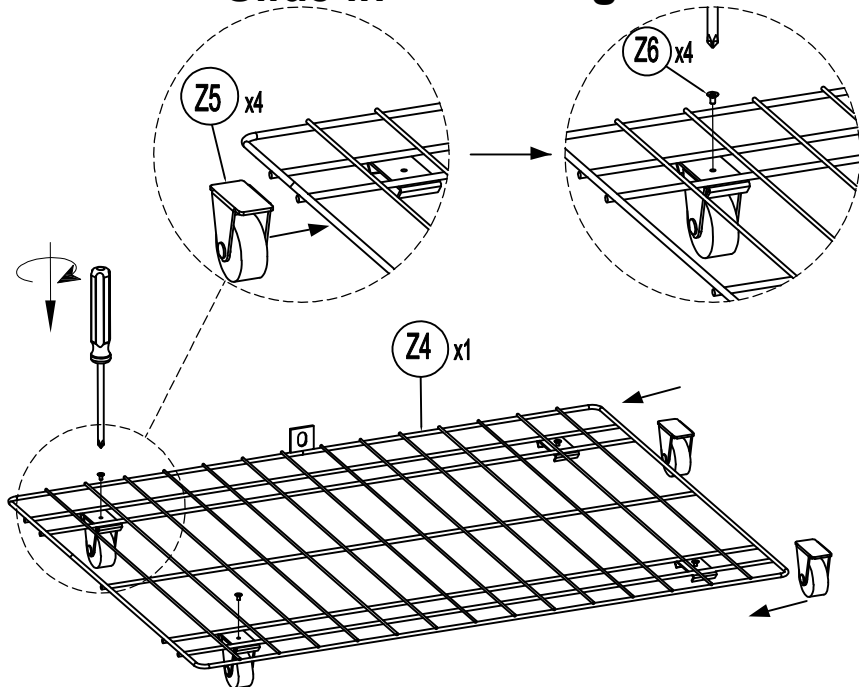
6.1



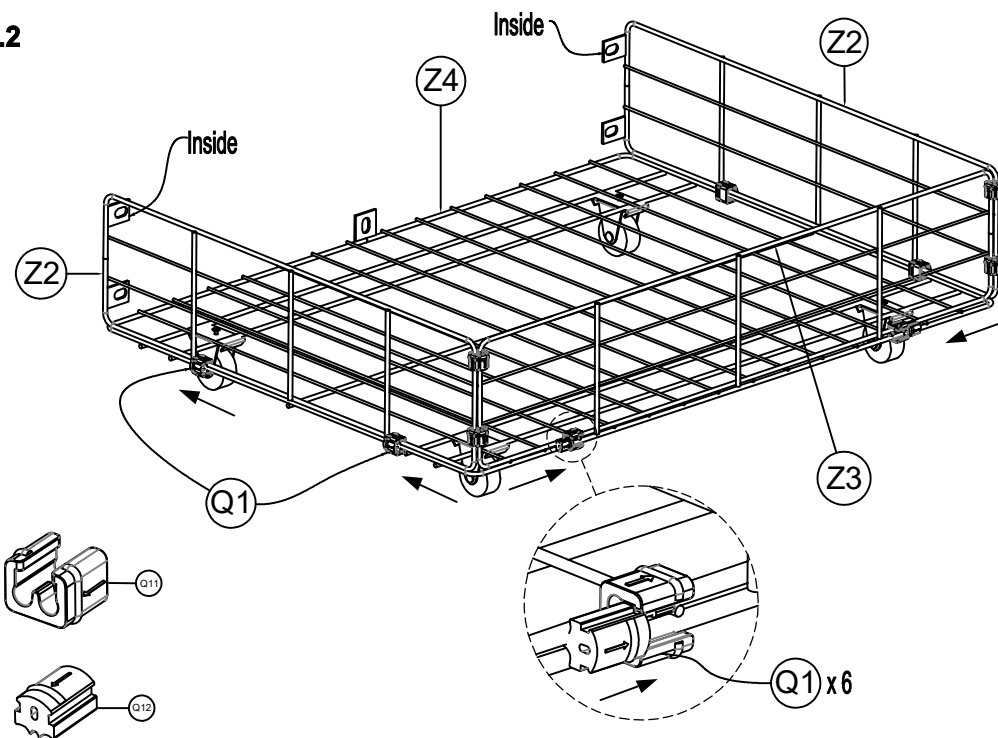
5.2

Slide in

Tighten the screw



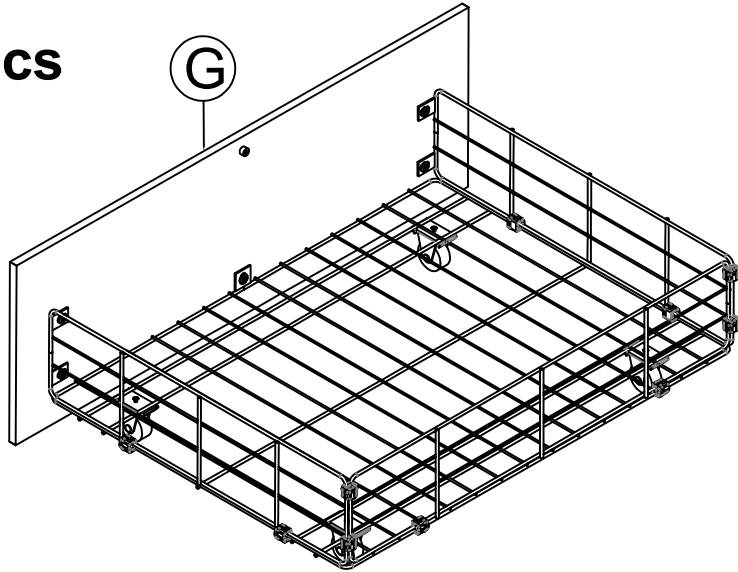
6.2



7.1

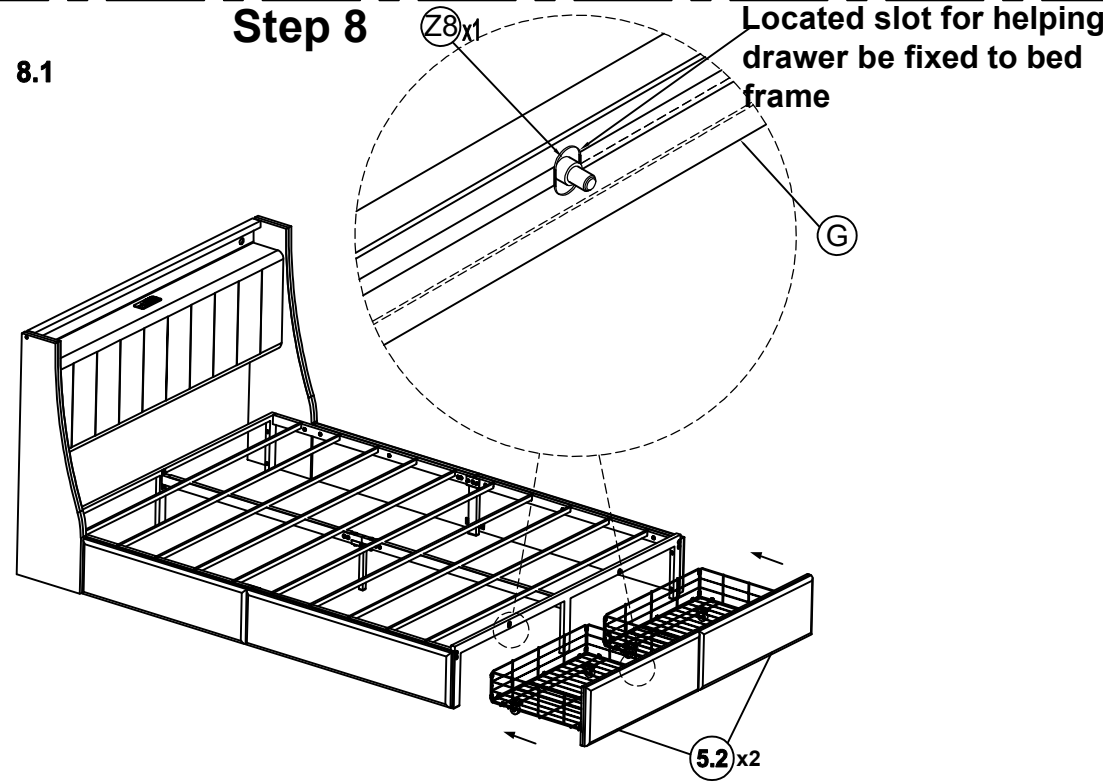
Step 7

2pcs

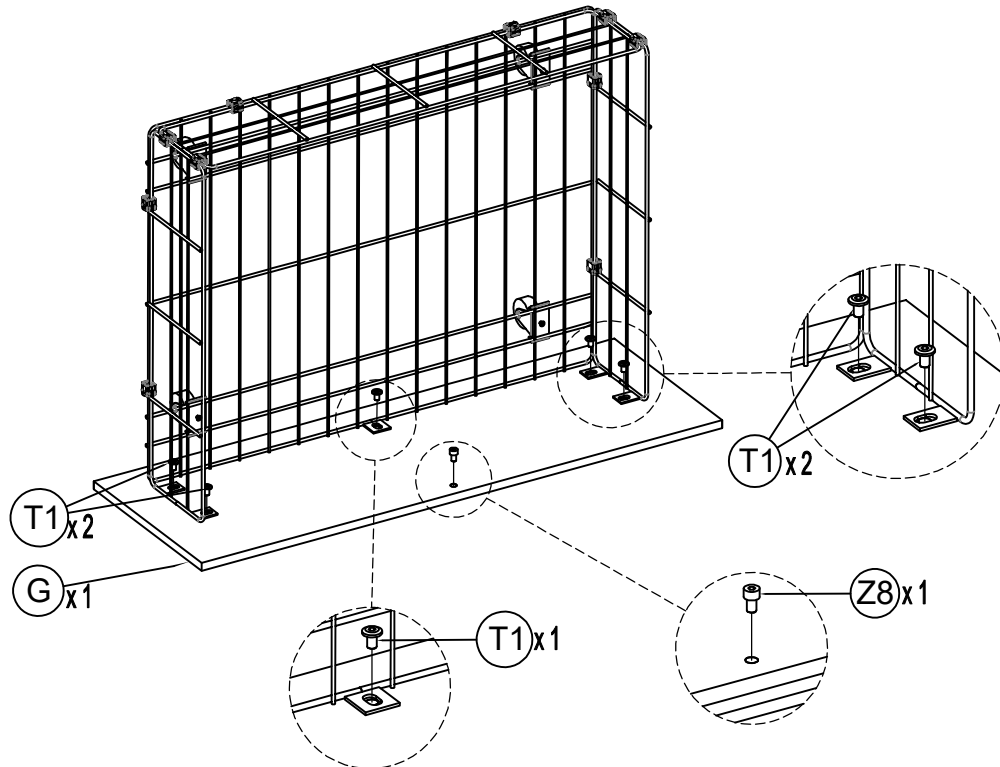


8.1

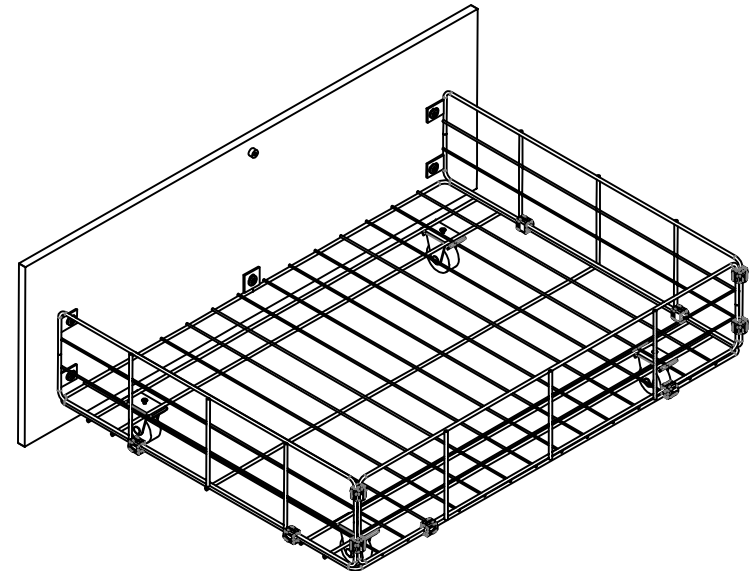
Step 8



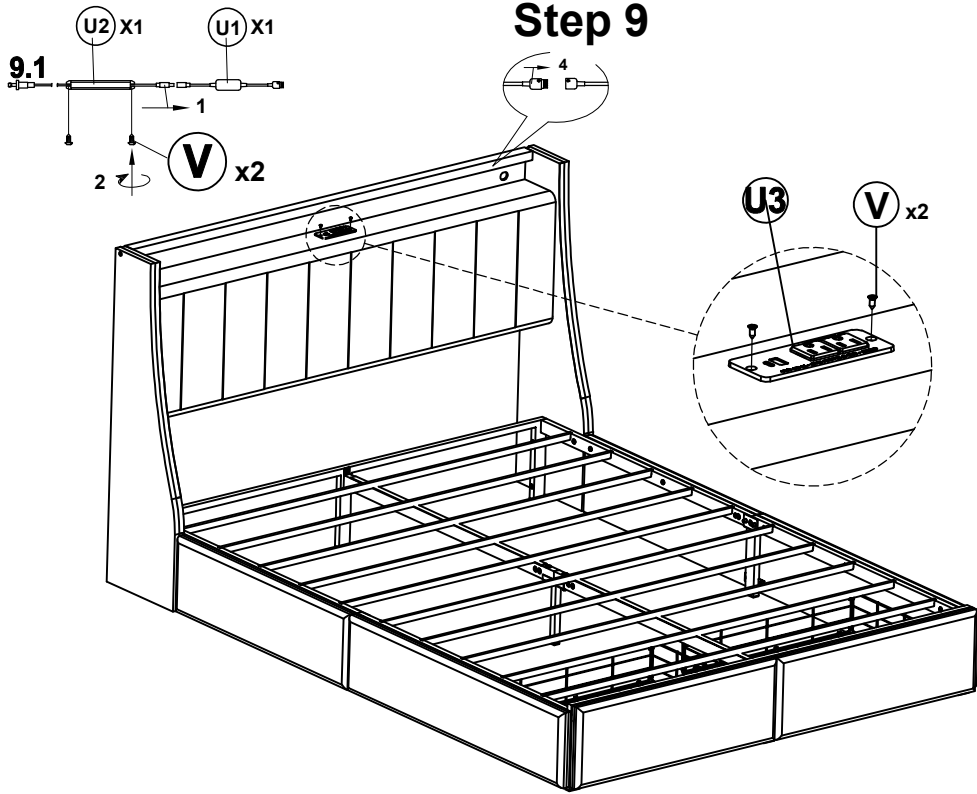
7.2



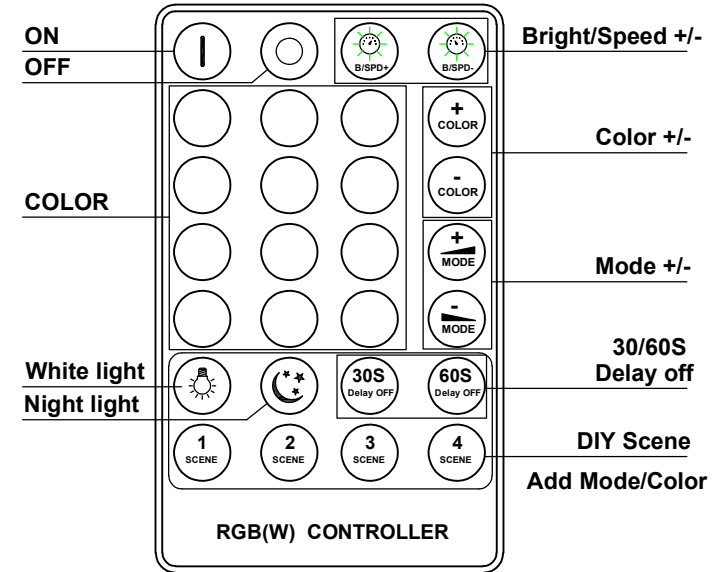
8.2



Step 9



RGB(W) CONTROLLER



NO.	Dynamic modes	NO.	Dynamic modes
1	W+Red	7	3 colors jump
2	W+Green	8	3 colors fade
3	W+Blue	9	7 colors jump
4	W+Yellow	10	7 colors fade
5	W+Purple	11	Full colors fade
6	W+Cyan		