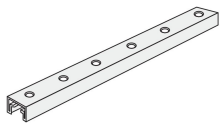
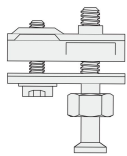


Bifold Door Installation Guide

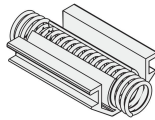
Including (2 Door Set) For 4 Door Set: Refer to Page 8-14



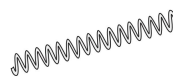
Track x 1



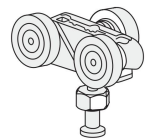
Upper Pivot x 1



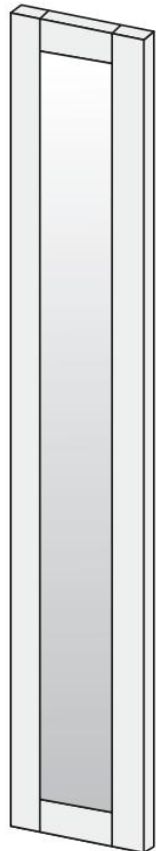
Snugger x 1



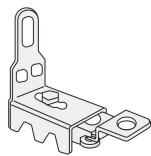
Spring x 1



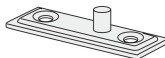
Roller x 1



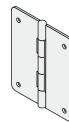
Door Panel x 2



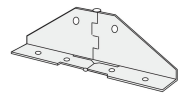
Lower Jamb Pivot x 1



Bottom Pivot x 1



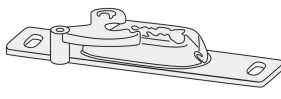
Center Hinge x 1



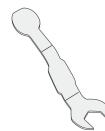
Top/Bottom Hinge x 2



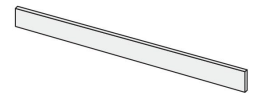
Short Mount Plate x 1



Long Mount Plate x 1



Wrench x 1



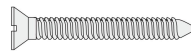
Fascia x 1



Pull x 1



Machine Screw x 1 (Pull)

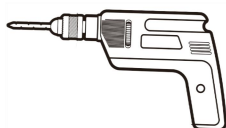


Short Screw x 8



Long Screw x 22

Tools Required:



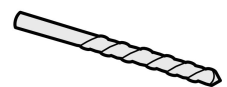
Driller



Measuring Tape



Pencil

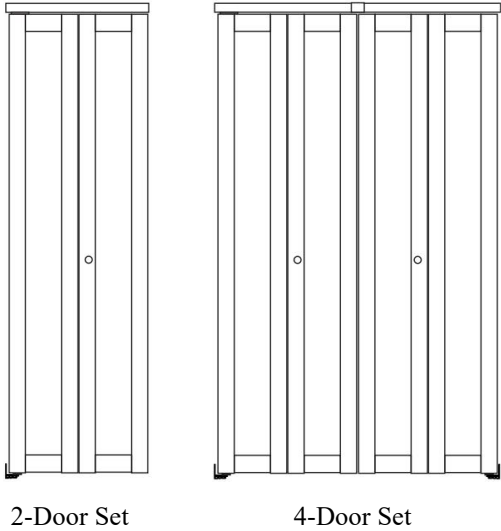


1/8" Drill Bit
3/16" Drill Bit

Fascia Block x 1
(for 4-Door installation)

Preparation

In case of questions or missing parts, please contact
Dooraftersale@gmail.com



**2 PERSONS
ASSEMBLY**



**UP TO 30MIN
ASSEMBLY**



Scan this QR code to access
the installation video

Note:

- Wear Safety Goggles
 - Dimensions are in inches
Millimeters are shown in brackets
 - Fits normal finished opening height of 80 1/2"
 - 2-Door and 4-Door Installation below.
- For 4-Door Installations, 2(two) 2-Door sets will need to be purchased

Track Installation

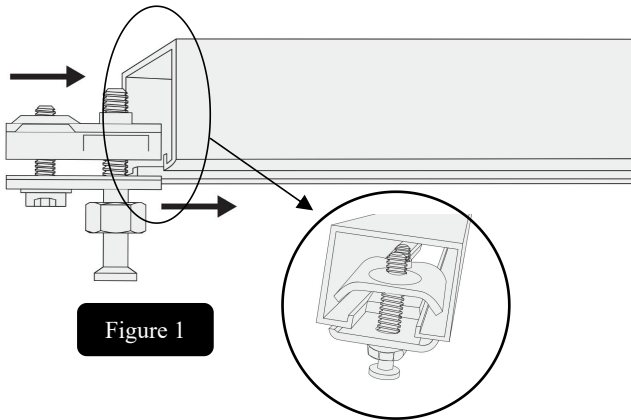


Figure 1

Step 1: Insert upper pivot into track as shown (Figure 1).

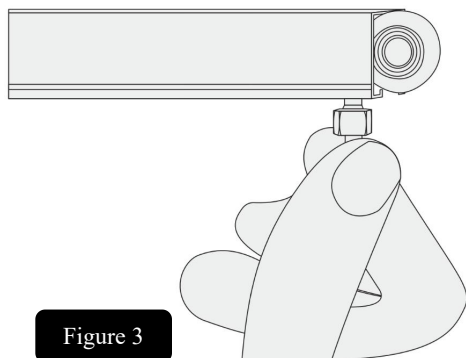


Figure 3

Step 3: Insert roller into the other end of track as shown (Figure 3).

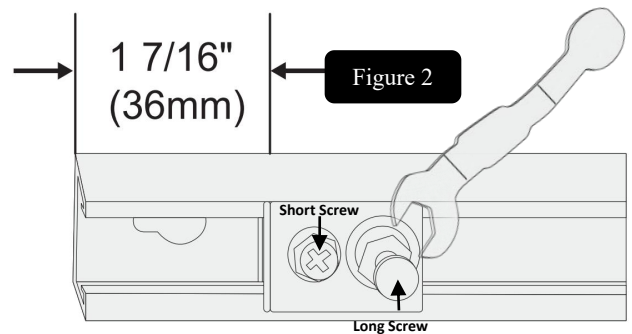
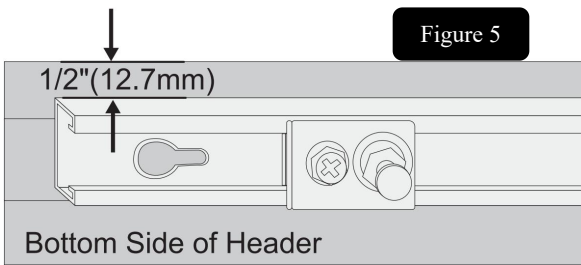


Figure 2

Step 2: Secure upper pivot as shown (Figure 2). The distance from the edge of upper pivot to the edge of track should be 1 7/16" (36 mm).

Installation Tips: First loosen the short screw using driller, then use wrench to secure the long screw before tightening the short screw.

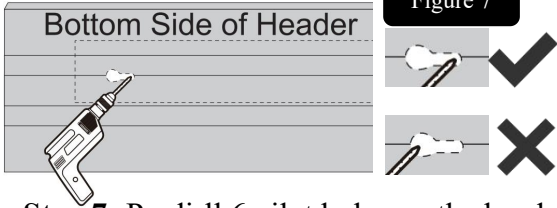
Figure 5



Step 5: Install track onto the header as shown (Figure 5). The distance from track to the header edge should be 1/2" (12.7mm) as shown.

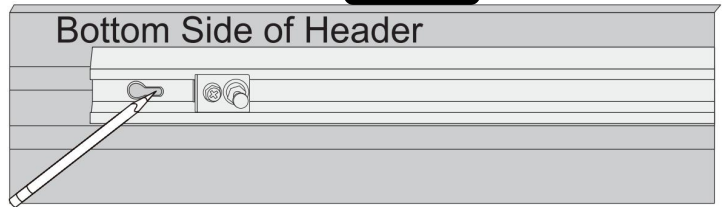
Note: If it is a left swing door, keep the left end of track tight against the left side jamb, vice versa.

Figure 7



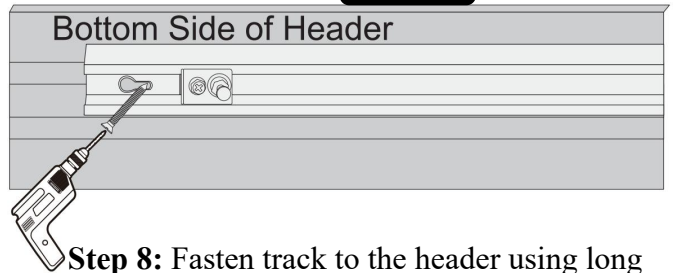
Step 7: Pre-drill 6 pilot holes on the header using 1/8" drill bit. **Note:** Pre-drill the holes on the retention slot. Do not pre-drill the holes on clearance hole (Figure 7).

Figure 6



Step 6: Use a pencil to mark the places where holes are to be drilled. (Figure 6)

Figure 8



Step 8: Fasten track to the header using long screws (Figure 8).

Lower Jamb Pivot Installation

Figure 9

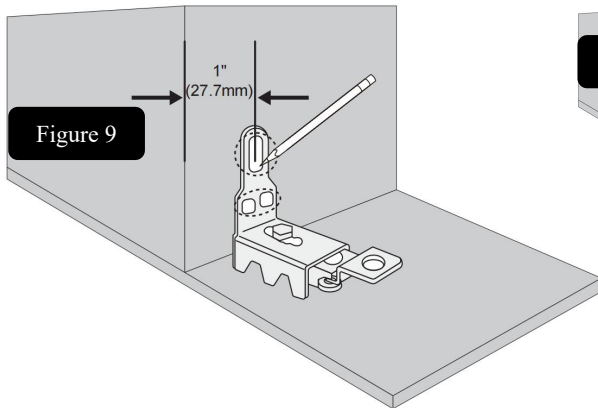


Figure 12

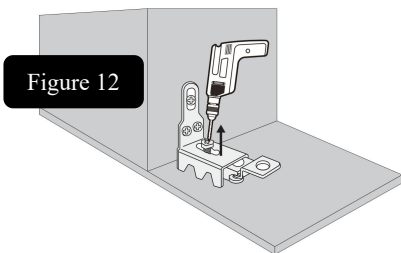


Figure 13

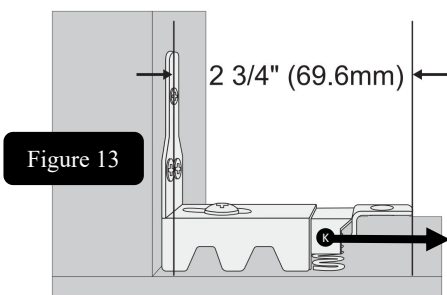


Figure 10

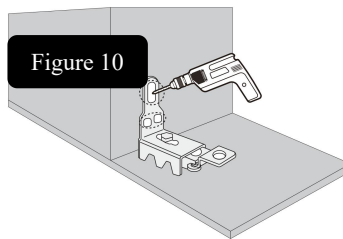
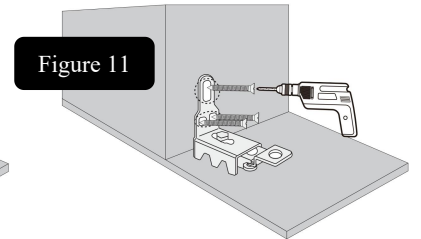


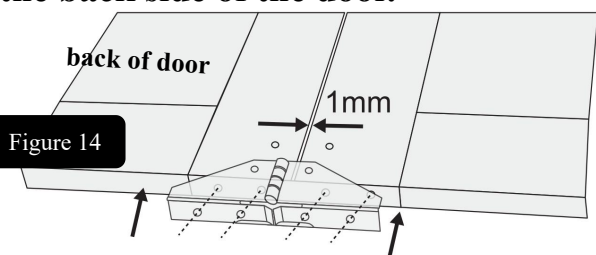
Figure 11



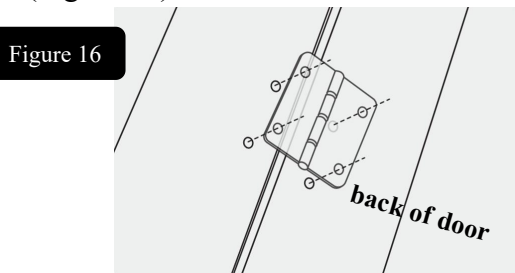
- **Step 1:** Place lower jamb pivot right under upper pivot, tight to the floor. The distance from lower jamb pivot to the edge of the jamb should be 1" (27.7mm) as shown (Figure 9). Use a pencil to mark the 3 places where holes are to be drilled as shown (Figure 9).
- **Step 2:** Pre-drill the marked places using 1/8" drill bit (Figure 10).
- **Step 3:** Fasten lower jamb pivot to jamb using long screws as shown (Figure 11).
- **Step 4:** Loosen the screw as shown (Figure 12).
- **Step 5:** Adjust the part "K" on the lower jamb pivot as shown (Figure 13). The width of the lower jamb pivot should be 2 3/4" (69.6 mm). Fasten the hex screw. **Tips:** Adjust "K" if the door is not level and square.

Hinge Installation

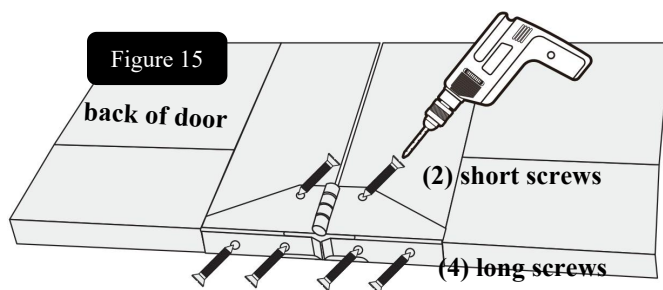
Note: The side with predrilled holes is the back side of the door.



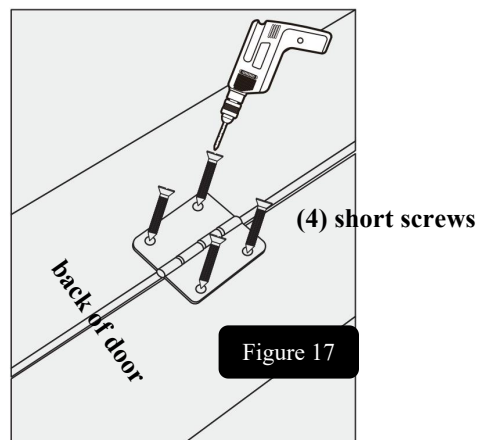
Step 1: Place door panels flat on a platform with the back side facing up. Maintain a "1 mm" gap between the door panels as shown to ensure proper opening and closing. Attach top/bottom hinge onto the top/bottom of the door as shown, aligning the holes on the hinge with the predrilled holes on the door (Figure 14).



Step 3: Put center hinge onto the center of the door as shown, aligning the holes on center hinge with the predrilled holes on the door (Figure 16).

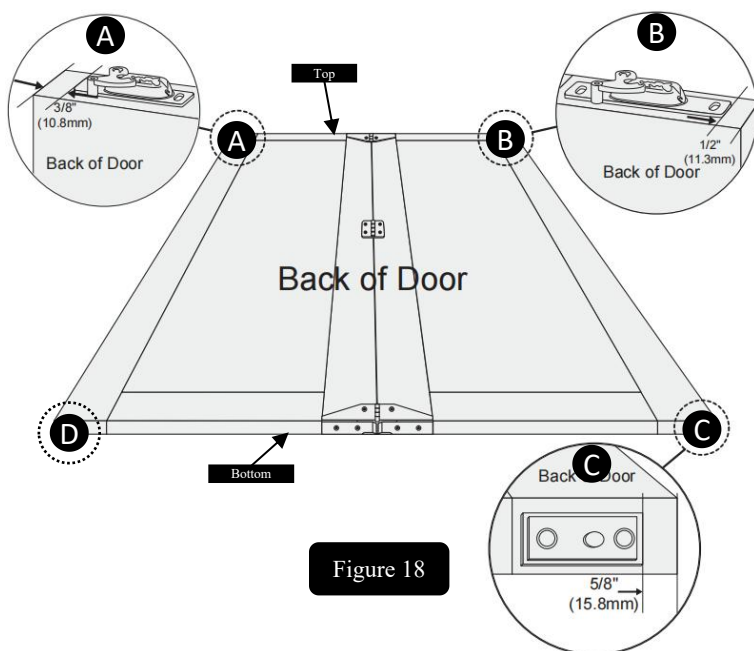


Step 2: Fasten top/bottom hinge to the top/bottom of the door using screws (Figure 15).



Step 4: Fasten center hinge to the door using short screws (Figure 17).

Door Brackets Installation

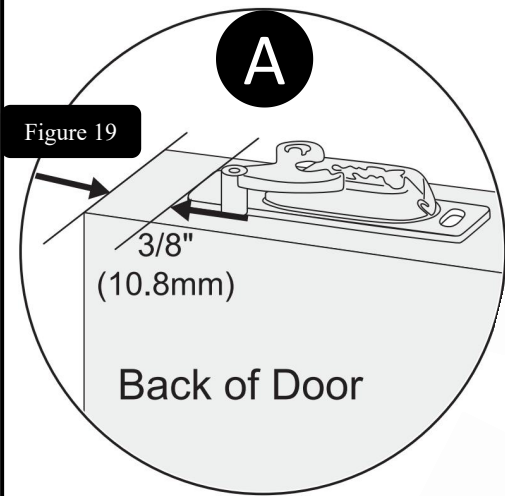


Note:

- For left swing door, install the bottom pivot at position "C".
- For right swing door, install the bottom pivot at position "D".

For detailed installation instructions, refer to the next page.

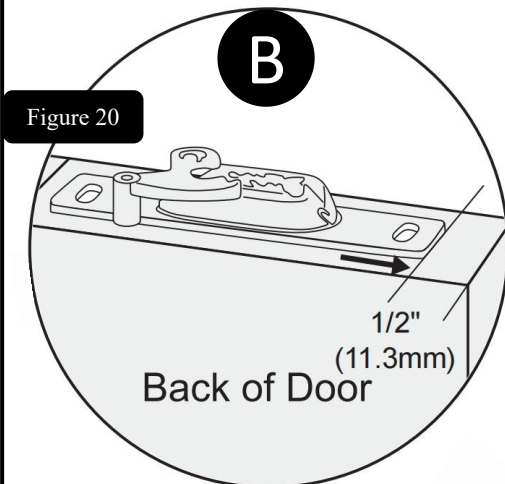
Top Left Corner "A" - Back View



1. Determine whether your door is a left swing or right swing door.
2. If it is a **left** swing door, install **short** mount plate on the upper left corner "A" of the back side of the door (Figure 18). The distance from short mount plate to the edge of the door should be **3/8" (10.8 mm)** (Figure 19).
If it is a **right** swing door, install **long** mount plate instead. The distance from long mount plate to the edge of the door should be **1/2" (13.3 mm)**.

Detailed measurement information can be found in Table 1 & Table 2 on the following page.

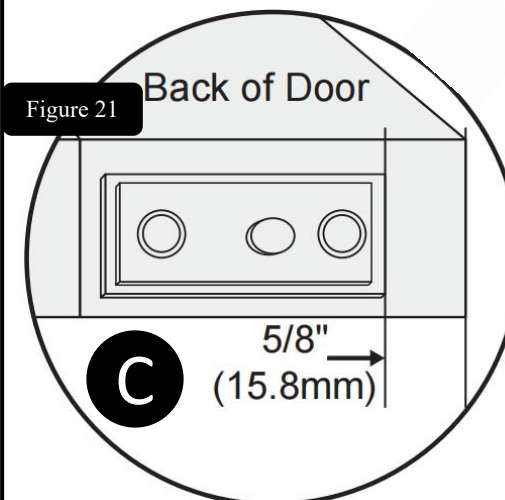
Top Right Corner "B" - Back View



1. If your door is a **left** swing door, install **long** mount plate on the upper right corner "B" of the back side of the door (Figure 18). The distance from long mount plate to the edge of the door should be **1/2" (11.3 mm)** (Figure 20).
2. If your door is a **right** swing door, install **short** mount plate instead. The distance from short mount plate to the edge of the door should be **3/8" (8.8 mm)**.

Detailed measurement information can be found in Table 1 & Table 2 on the following page.

Bottom Left/Right Corner "C" / "D" - Back View



1. If your door is a **left** swing door, install bottom pivot on the bottom right corner "C" of the back side of the door (Figure 18). The distance from the bottom pivot to the edge of the door should be **5/8" (15.8 mm)** (Figure 21).
2. If your door is a **right** swing door, install bottom pivot on the bottom left corner "D" of the back side of the door. The distance from the bottom pivot to the edge of the door should be **5/8" (15.8 mm)**.

Detailed measurement information can be found in Table 1 & Table 2 on the following page.

Table 1

Left Swing / Back View				
	Top Left	Top Right	Bottom Left	Bottom Right
Required Hardware	Short Mount Plate	Long Mount Plate	/	Bottom Pivot
Measurement from Hardware to Door Edge	3/8" (10.8 mm)	1/2" (11.3 mm)	/	5/8" (15.8 mm)

Table 2

Right Swing / Back View				
	Top Left	Top Right	Bottom Left	Bottom Right
Required Hardware	Long Mount Plate	Short Mount Plate	Bottom Pivot	/
Measurement from Hardware to Door Edge	1/2" (13.3 mm)	3/8" (8.8 mm)	5/8" (15.8 mm)	/

Door Installation

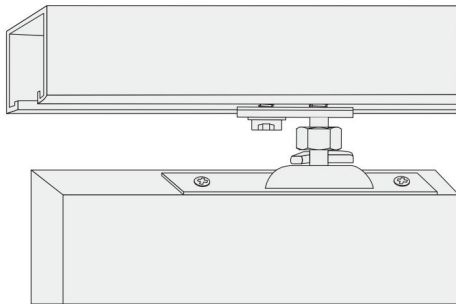


Figure 22

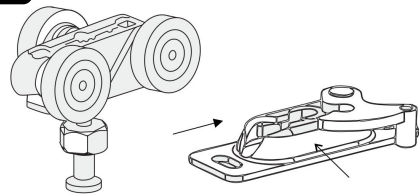
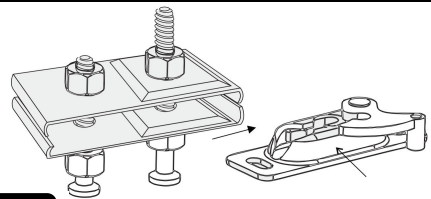
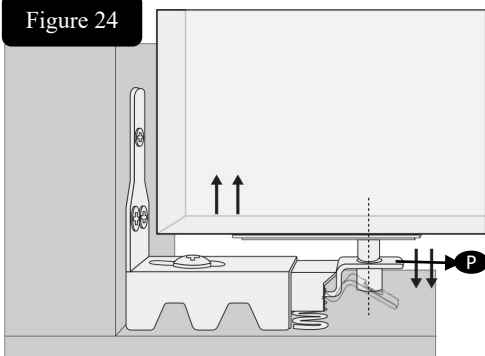


Figure 23

Figure 24



- **Step 1:** Insert the long screw head on the upper pivot into the short/long mount plate as shown (Figure 22). Insert the screw head on the roller into the short/long mount plate as shown (Figure 22)
- **Step 2:** Rotate the part "R" until it locks onto the long screw shank (Figure 23).
- **Step 3:** Lift the door and insert the protrusion on the bottom pivot into the lower jamb pivot with "P" being pressed down (Figure 24).

Fascia & Pull Installation

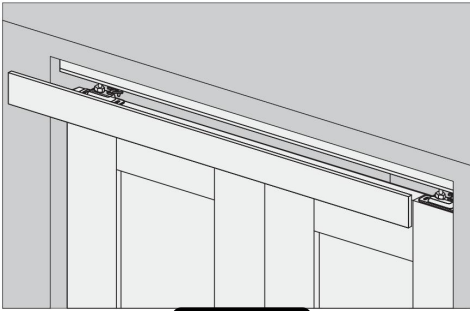
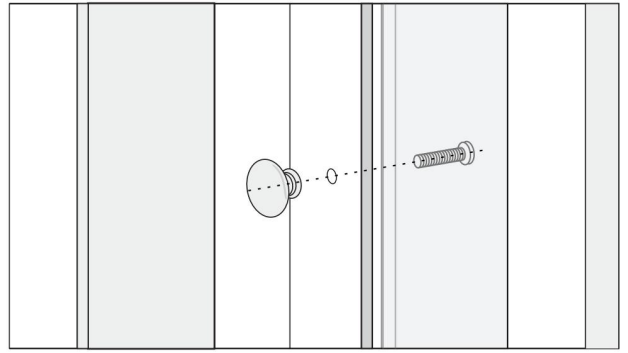
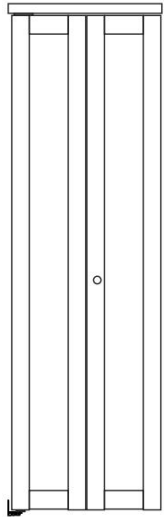


Figure 25

For 2-Door set : Remove the tape on the back of the fascia and attach it to the track with both ends flush with the track. Push it against the track as shown (Figure 25). Cut Fascia to fit if necessary (cut with Fascia front up).

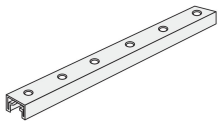


- Use a pencil to mark the middle of the inner frame on the back of the door.
- Drill a hole on the marked position using 3/16" drill bit.
- Insert the machine screw into the hole and fasten the pull to the door.

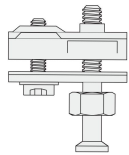


Bifold Door Installation Guide

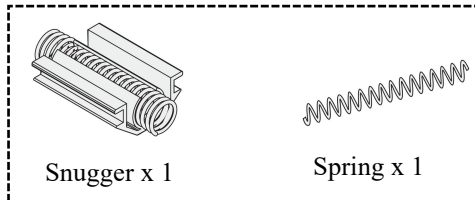
Including (4 Door Set) For 2 Door Set: Refer to Page 1-7



Track x 2

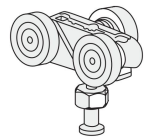


Upper Pivot x 2

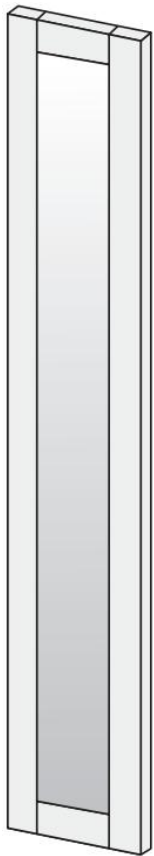


Snugger x 1

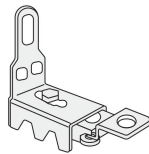
Spring x 1



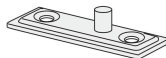
Roller x 2



Door Panel x 4



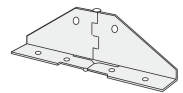
Lower Jamb Pivot x 2



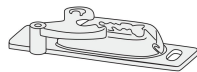
Bottom Pivot x 2



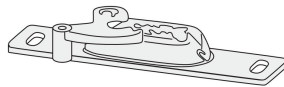
Center Hinge x 2



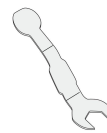
Top/Bottom Hinge x 4



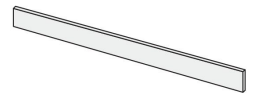
Short Mount Plate x 2



Long Mount Plate x 2



Wrench x 1



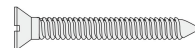
Fascia x 2



Pull x 2



Machine Screw x 2
(Pull)



Short Screw x 16

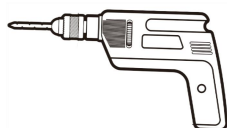


Long Screw x 44



Fascia Block x 1
(for 4-Door installation)

Tools Required:



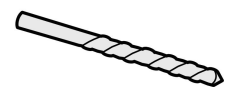
Driller



Measuring Tape



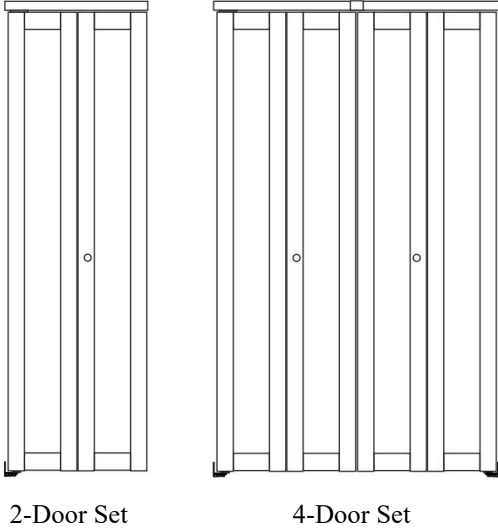
Pencil



1/8" Drill Bit
3/16" Drill Bit

Preparation

In case of questions or missing parts, please contact
Dooraftersale@gmail.com



**2 PERSONS
ASSEMBLY**



**UP TO 30MIN
ASSEMBLY**

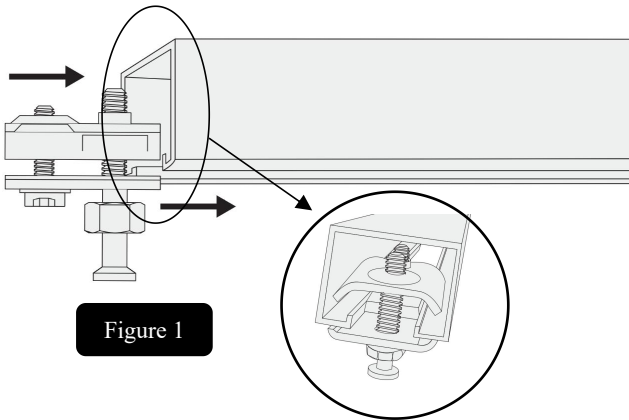


Scan this QR code to access
the installation video

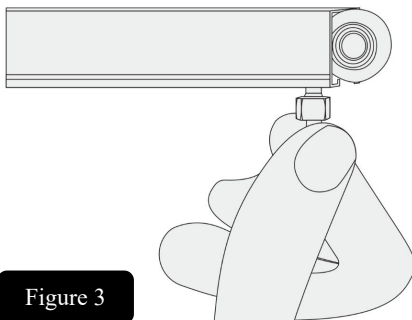
Note:

- Wear Safety Goggles
 - Dimensions are in inches
Millimeters are shown in brackets
 - Fits normal finished opening height of 80 1/2"
 - 2-Door and 4-Door Installation below.
- For 4-Door Installations, 2(two) 2-Door sets will need to be purchased

Track Installation

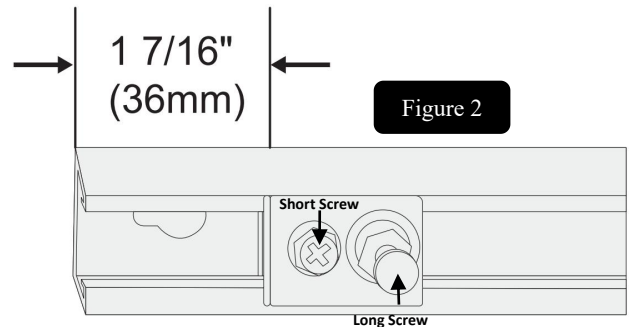


Step 1: Insert upper pivot into track as shown (Figure 1).



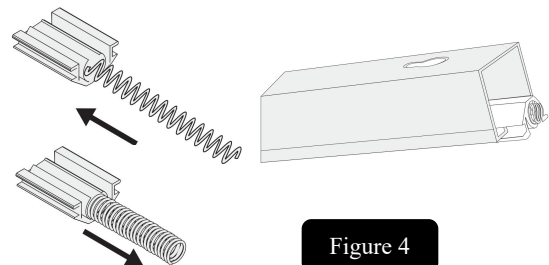
Step 3: Insert roller into the other end of track as shown (Figure 3).

Install the other upper pivot/using the same way.



Step 2: Secure upper pivot as shown (Figure 2). The distance from the edge of upper pivot to the edge of track should be 1 7/16" (36 mm).

Installation Tips: First loosen the short screw using wrench, then secure the long screw before tightening the short screw.



Step 4: Replace the short spring of the snigger with the long spring as shown. Insert snigger into the same end as roller as shown.

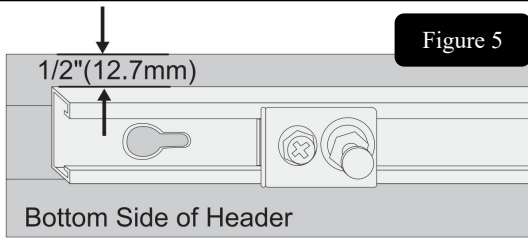


Figure 5

Step 5: Install track onto the header as shown (Figure 5). The distance from track to the header edge should be 1/2" (12.7mm) as shown.

Note: If it is a left swing door, keep the left end of track tight against the left side jamb, vice versa.

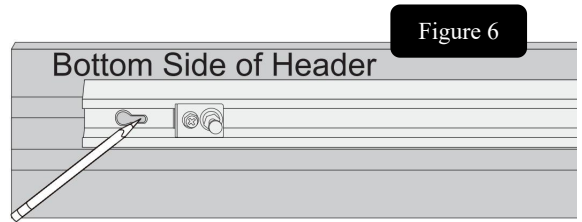


Figure 6

Step 6: Use a pencil to mark the places where holes are to be drilled. (Figure 6)

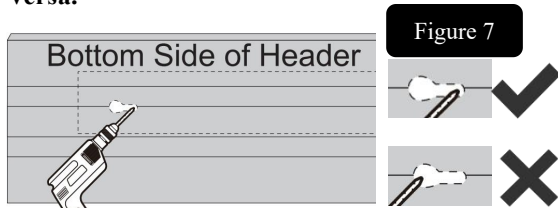


Figure 7

Step 7: Predrill 6 pilot holes on the header using 1/8" drill bit. **Note:** Predrill the holes on the retention slot. Do not predrill the holes on clearance hole (Figure 7).

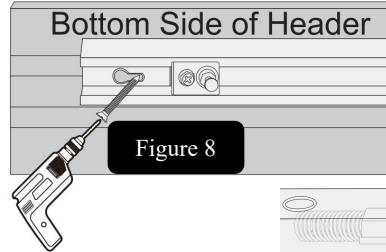


Figure 8

Step 8: Fasten track to the header using long screws (Figure 8).

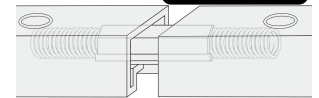


Figure 8-1

Install the other track using the same way.

Step 9: Adjust the snugger until it connects the two tracks (Figure 8-1).

Lower Jamb Pivot Installation

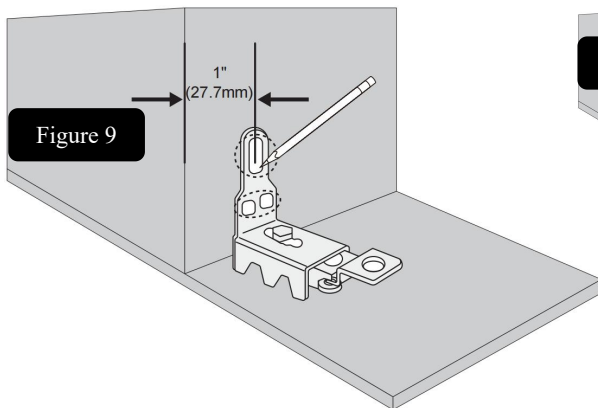


Figure 9

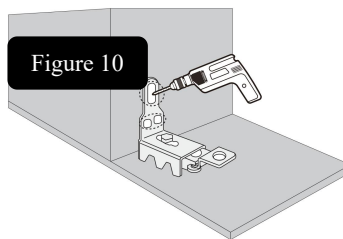


Figure 10

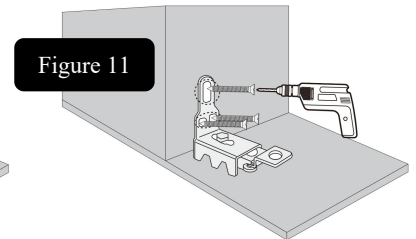


Figure 11

- Step 1:** Place lower jamb pivot right under upper pivot, tight to the floor. The distance from lower jamb pivot to the edge of the jamb should be 1" (27.7mm) as shown (Figure 9). Use a pencil to mark the 3 places where holes are to be drilled as shown (Figure 9).

- Step 2:** Pre-drill the marked places using 1/8" drill bit (Figure 10).

- Step 3:** Fasten lower jamb pivot to jamb using long screws as shown (Figure 11).

- Step 4:** Loosen the screw as shown (Figure 12).

- Step 5:** Adjust the part "K" on the lower jamb pivot as shown (Figure 13). The width of the lower jamb pivot should be 2 3/4" (69.6 mm). Fasten the hex screw. **Tips:** Adjust "K" if the door is not level and square.

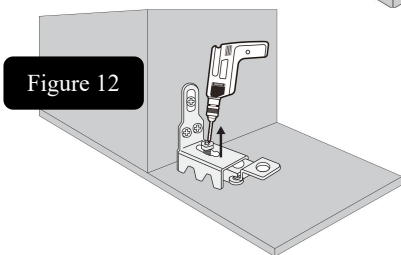


Figure 12

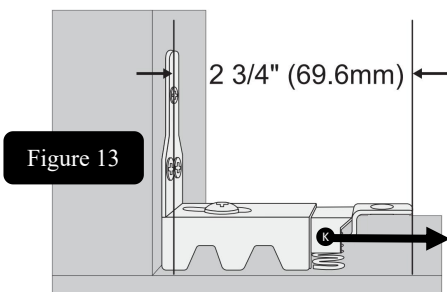
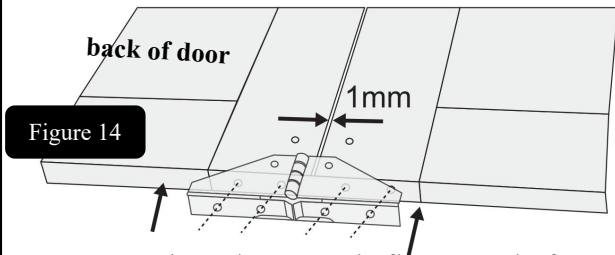


Figure 13

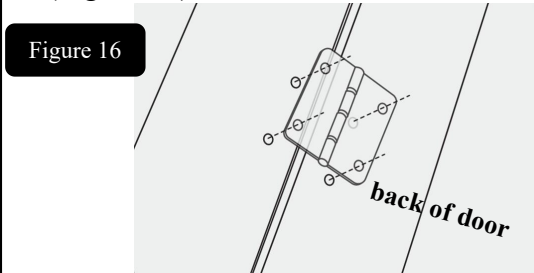
Install the other lower jamb pivot using the same way.

Hinge Installation

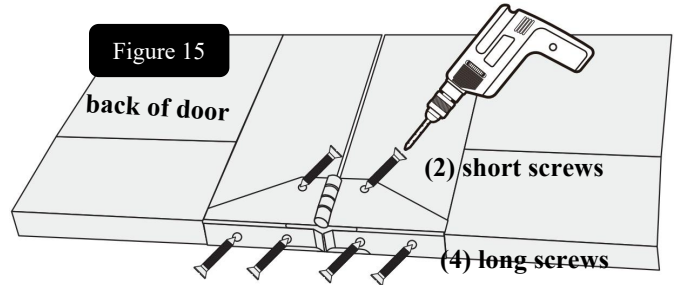
Note: The side with predrilled holes is the back side of the door.



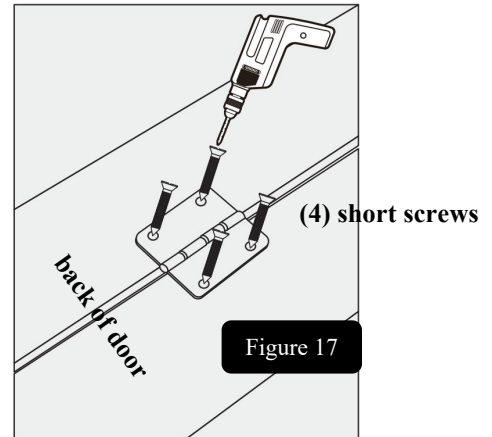
Step 1: Place door panels flat on a platform with the back side facing up. Maintain a "1 mm" gap between the door panels as shown to ensure proper opening and closing. Attach top/bottom hinge onto the top/bottom of the door as shown, aligning the holes on the hinge with the predrilled holes on the door (Figure 14).



Step 3: Put center hinge onto the center of the door as shown, aligning the holes on center hinge with the predrilled holes on the door (Figure 16).



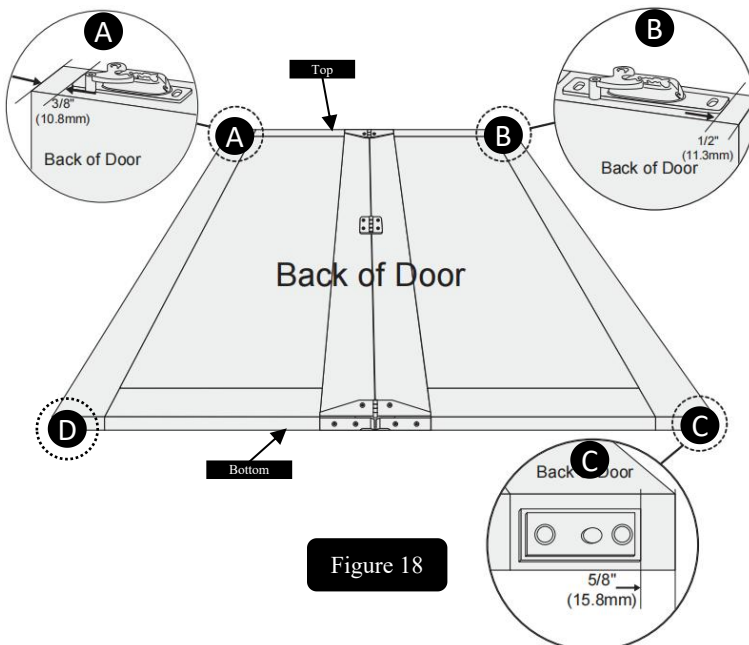
Step 2: Fasten top/bottom hinge to the top/bottom of the door using screws (Figure 15).



Step 4: Fasten center hinge to the door using short screws (Figure 17).

Repeat the same steps to install hinges on the other two panels.

Door Brackets Installation

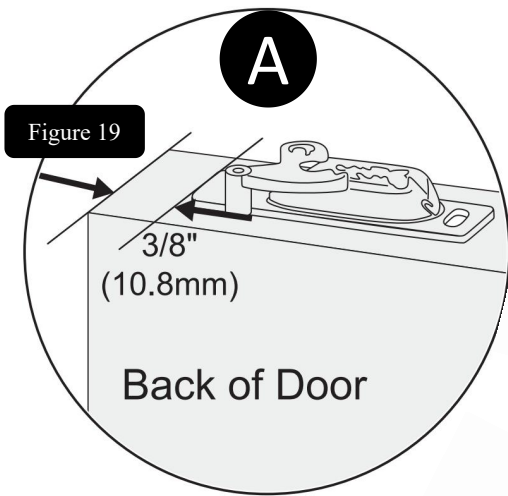


Note:

- For left swing set, install the bottom pivot at position "C".
- For right swing set, install the bottom pivot at position "D".

For detailed installation instructions, refer to the next page.

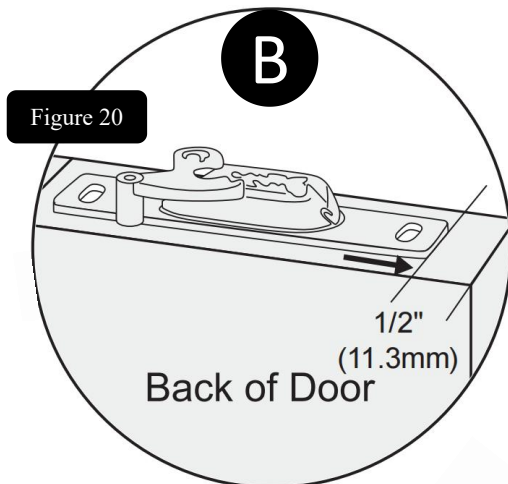
Top Left Corner "A" - Back View



1. Determine whether your door is a left swing or right swing door.
2. If it is a **left** swing door, install **short** mount plate on the upper left corner "A" of the back side of the door (Figure 18). The distance from short mount plate to the edge of the door should be **3/8" (10.8 mm)** (Figure 19). If it is a **right** swing door, install **long** mount plate instead. The distance from long mount plate to the edge of the door should be **1/2" (13.3 mm)**.

Detailed measurement information can be found in Table 1 & Table 2 on the following page.

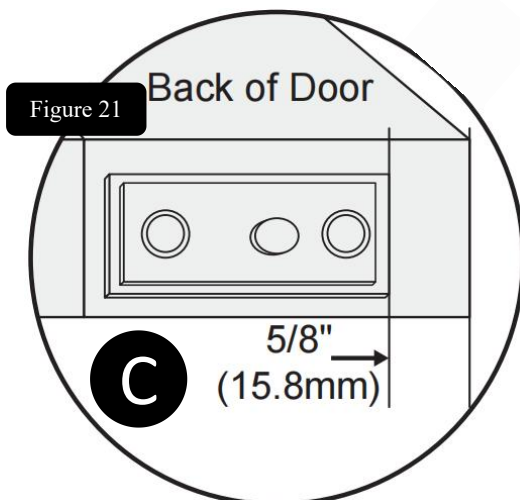
Top Right Corner "B" - Back View



1. If your door is a **left** swing door, install **long** mount plate on the upper right corner "B" of the back side of the door (Figure 18). The distance from long mount plate to the edge of the door should be **1/2" (11.3 mm)** (Figure 20).
2. If your door is a **right** swing door, install **short** mount plate instead. The distance from short mount plate to the edge of the door should be **3/8" (8.8 mm)**.

Detailed measurement information can be found in Table 1 & Table 2 on the following page.

Bottom Left/Right Corner "C" / "D" - Back View



1. If your door is a **left** swing door, install bottom pivot on the bottom right corner "C" of the back side of the door (Figure 18). The distance from the bottom pivot to the edge of the door should be **5/8" (15.8 mm)** (Figure 21).
2. If your door is a **right** swing door, install bottom pivot on the bottom left corner "D" of the back side of the door. The distance from the bottom pivot to the edge of the door should be **5/8" (15.8 mm)**.

Detailed measurement information can be found in Table 1 & Table 2 on the following page.

Table 1

Left Swing / Back View				
	Top Left	Top Right	Bottom Left	Bottom Right
Required Hardware	Short Mount Plate	Long Mount Plate	/	Bottom Pivot
Measurement from Hardware to Door Edge	3/8" (10.8 mm)	1/2" (11.3 mm)	/	5/8" (15.8 mm)

Table 2

Right Swing / Back View				
	Top Left	Top Right	Bottom Left	Bottom Right
Required Hardware	Long Mount Plate	Short Mount Plate	Bottom Pivot	/
Measurement from Hardware to Door Edge	1/2" (13.3 mm)	3/8" (8.8 mm)	5/8" (15.8 mm)	/

Door Installation

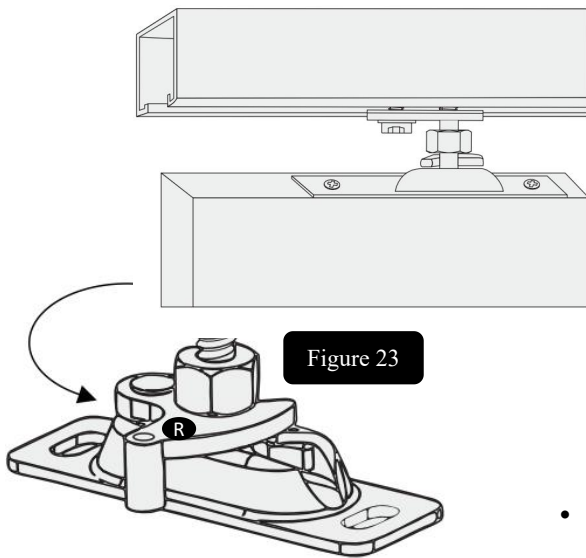


Figure 22

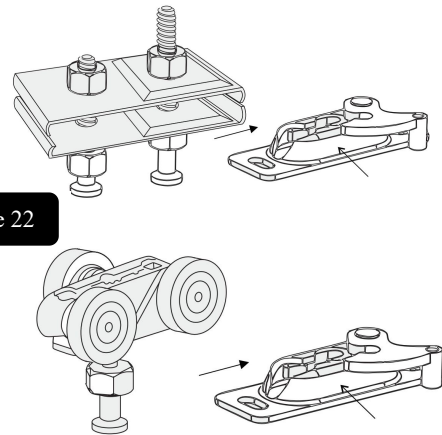
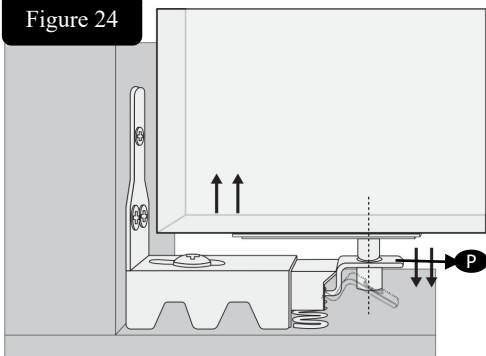


Figure 23

Figure 24



- **Step 1:** Insert the long screw head on the upper pivot into the short/long mount plate as shown (Figure 22). Insert the screw head on the roller into the short/long mount plate as shown (Figure 22)
- **Step 2:** Rotate the part "R" until it locks onto the long screw shank (Figure 23).
- **Step 3:** Lift the door and insert the protrusion on the bottom pivot into the lower jamb pivot with "P" being pressed down (Figure 24).

Fascia & Pull Installation

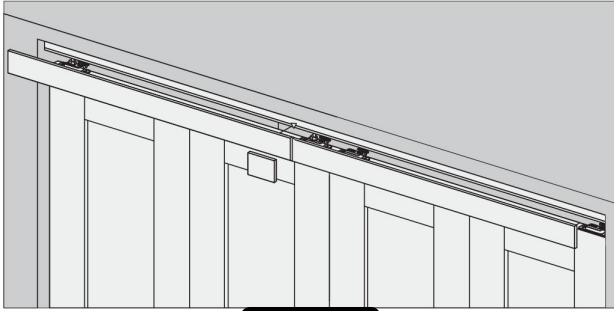
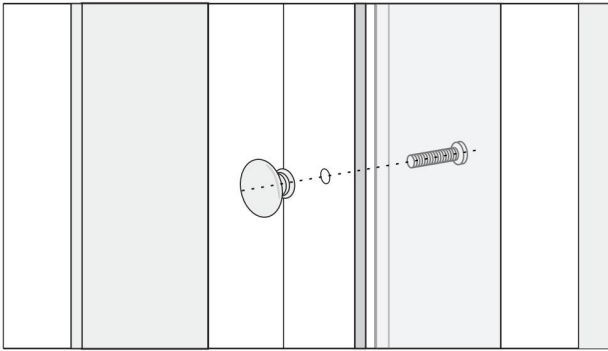


Figure 26

Cut Fascia to fit if necessary (cut with Fascia front up).

Remove the tape on the back of the fascia and attach it to the upper corner of the track with both ends flush with the track. Push them against the track as shown (Figure 26). Then attach the fascia block to the fascia by removing the tape on the back.



- Use a pencil to mark the middle of the inner frame on the back of the door.
- Drill a hole on the marked position using 3/16" drill bit.
- Insert the machine screw into the hole and fasten the pull to the door.