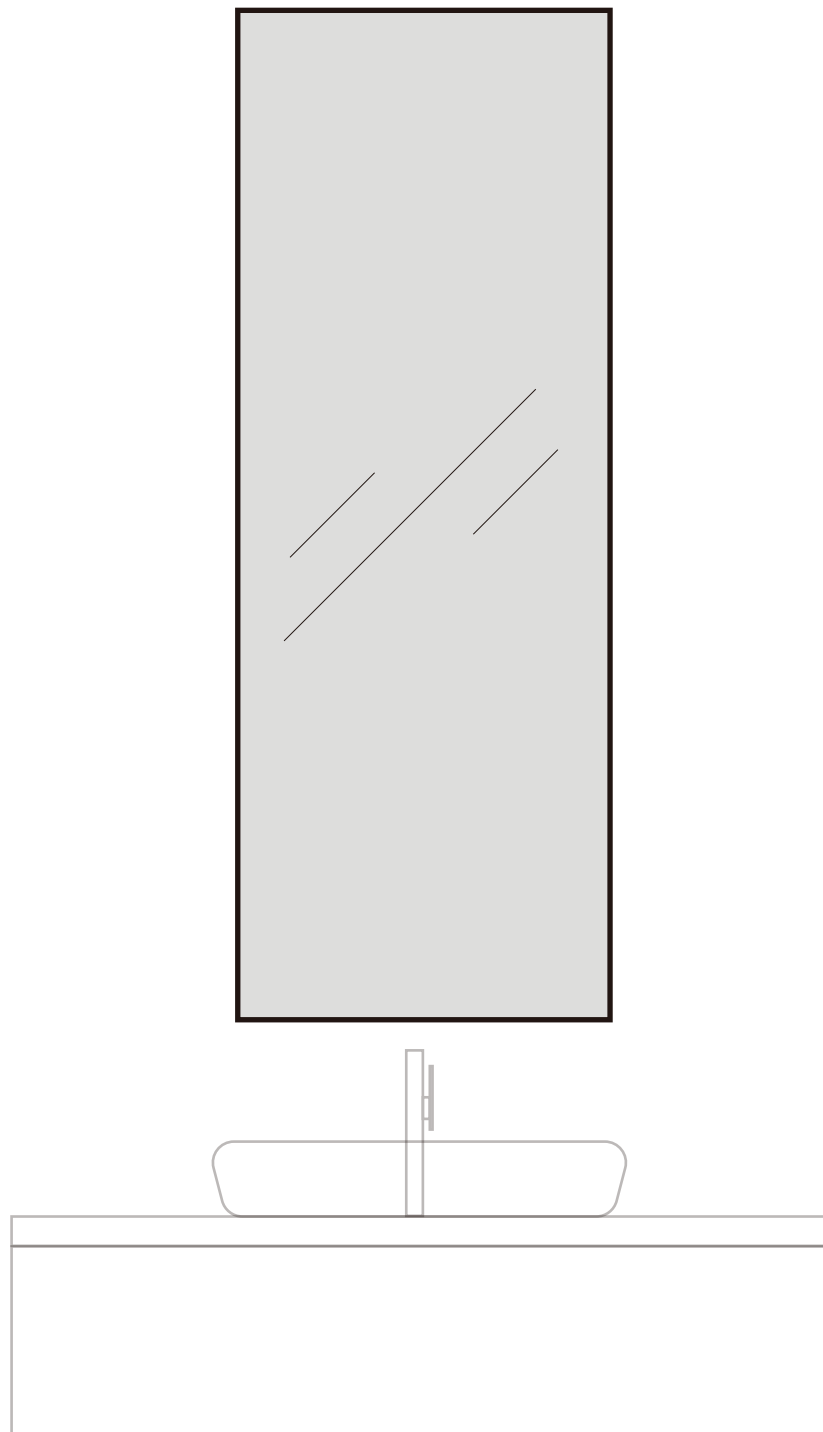


DIY YOUR BATHROOM SPACE



HARDWARE AND TOOLS



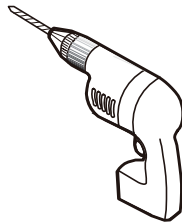
1/4" & 1/8" Drill Bits



Pencil



level



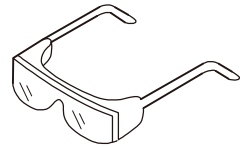
Power Drill



Mallet

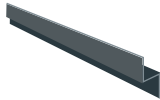


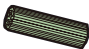


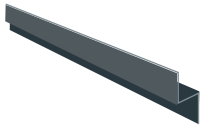
Tape Measure



Safety Goggles

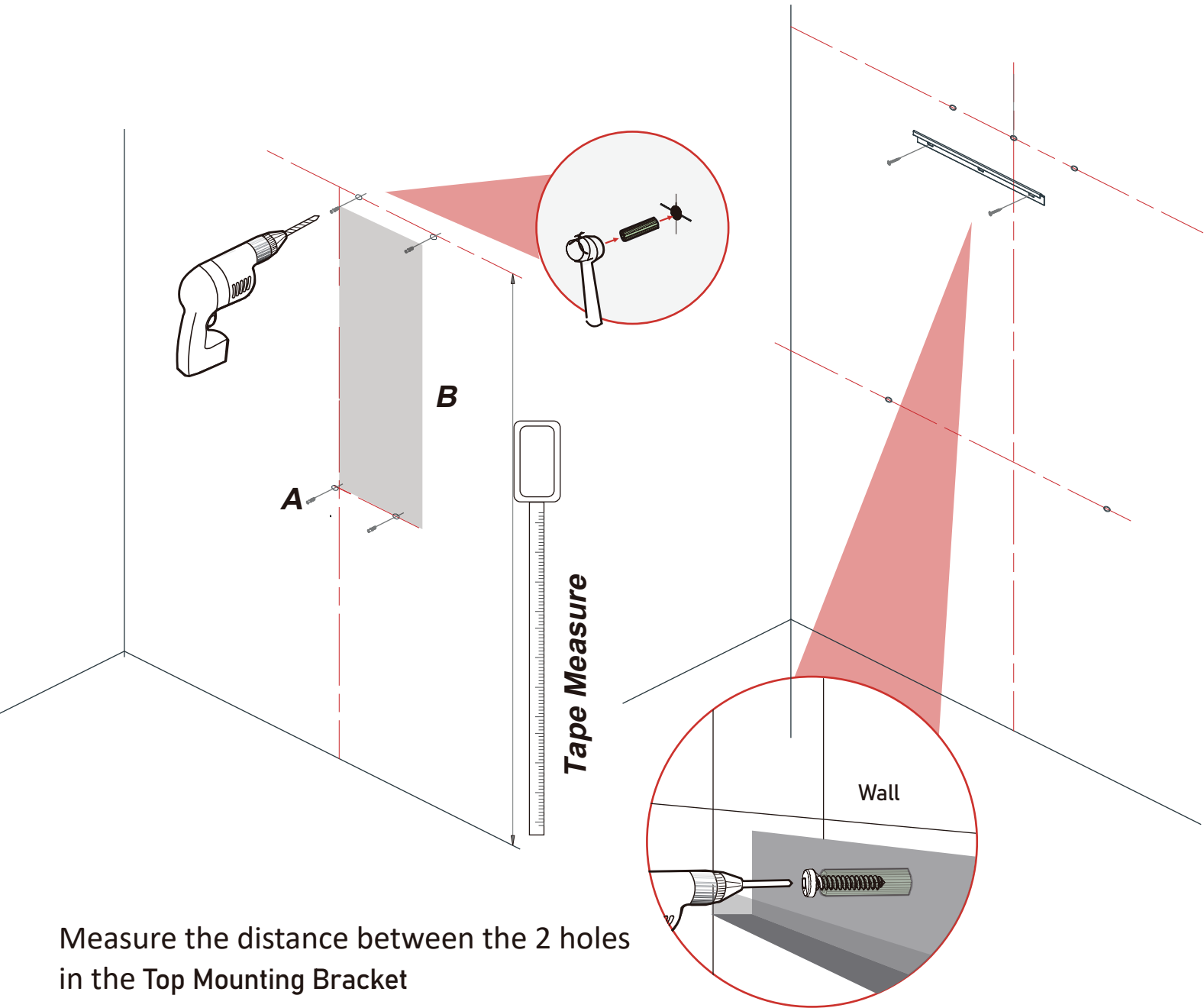
HARDWARE LIST

ITEM	REFERENCE IMAGE	NAME	QTY
1		Top Mounting Bracket	1
2		Glass Shelf	2
3		Screw ST4*35	5
4		Wall Anchor	5



Step 1

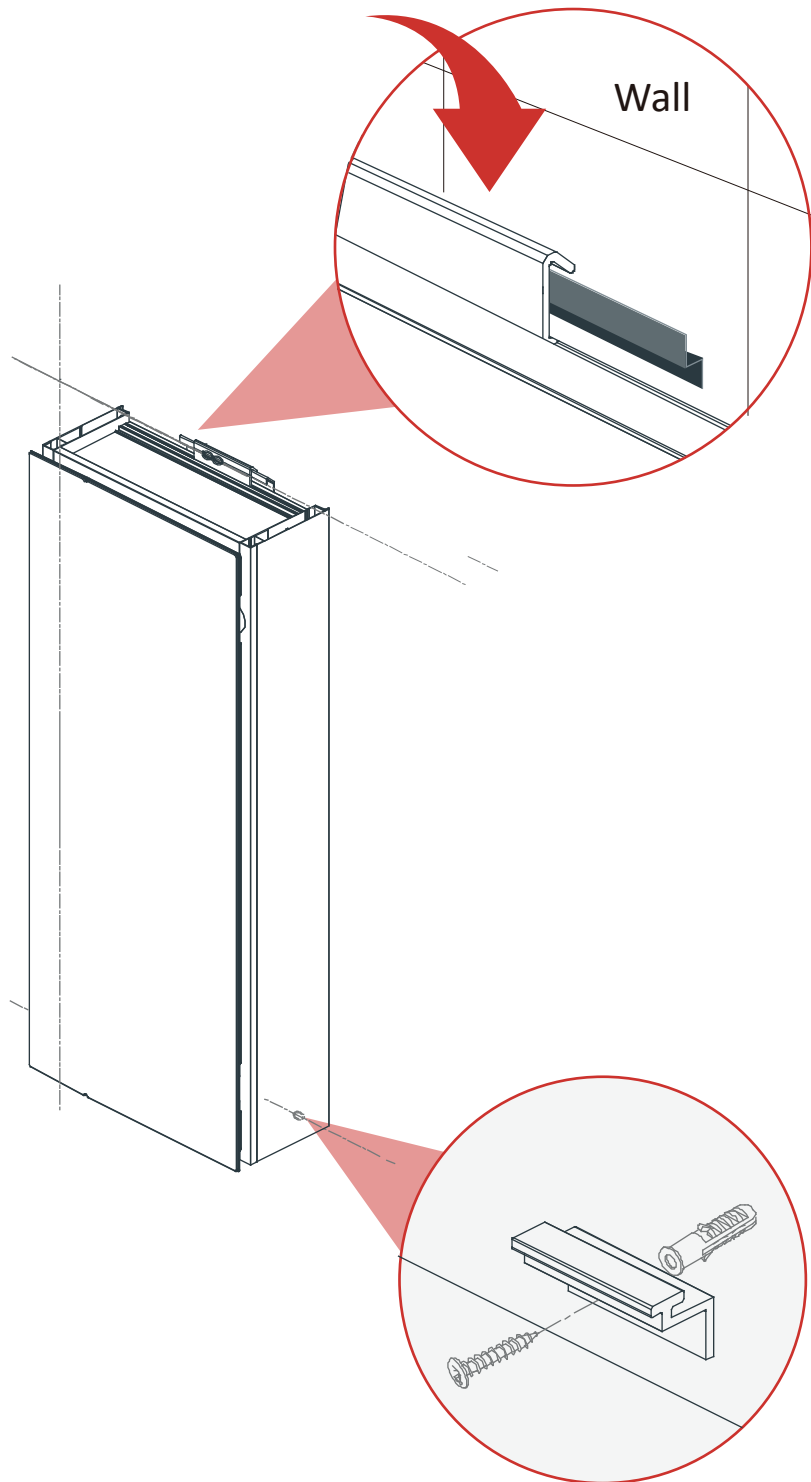
Fix Top Mounting Bracket on the Wall



Measure the distance between the 2 holes in the Top Mounting Bracket

Step 2

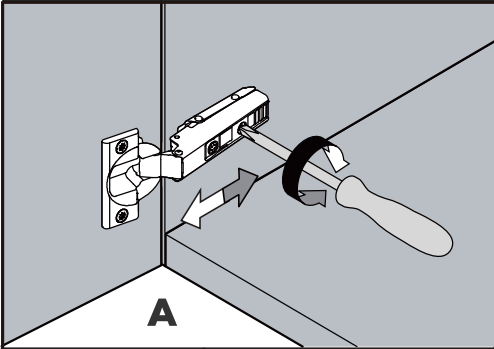
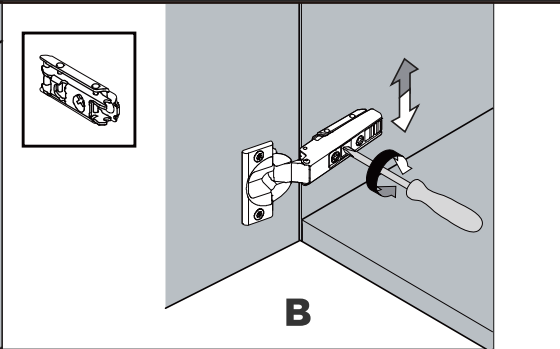
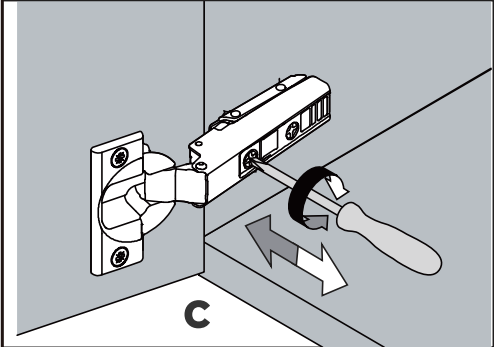
Hanging the Cabinet on the top mounting bracket. Make sure top brackets are locked in the grooves.

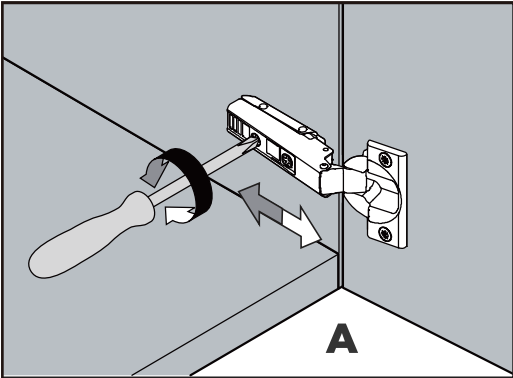
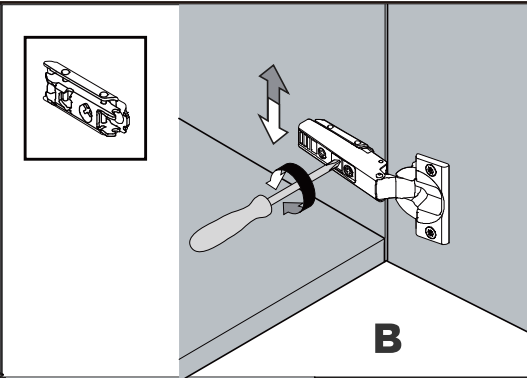
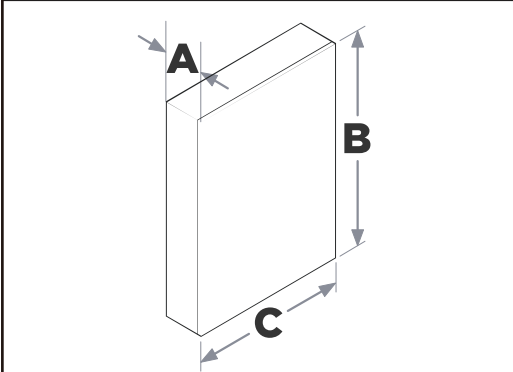
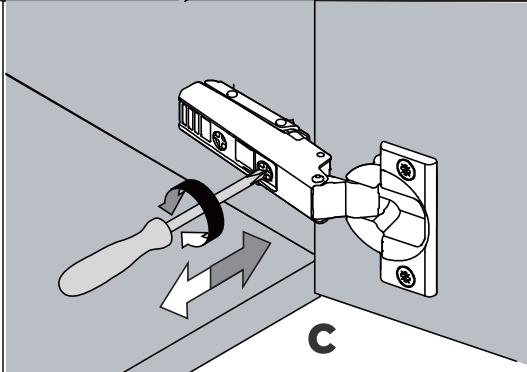


Step 3

Move the cabinet to the right position and screw in the bottom supporting bracket and fix it.

Step 4 Optional Door Adjustment

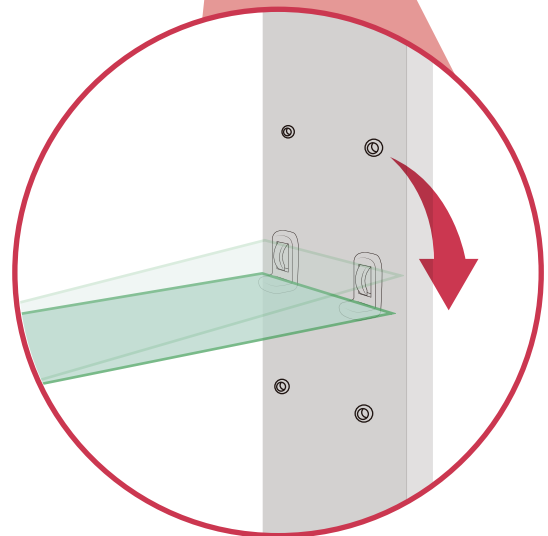
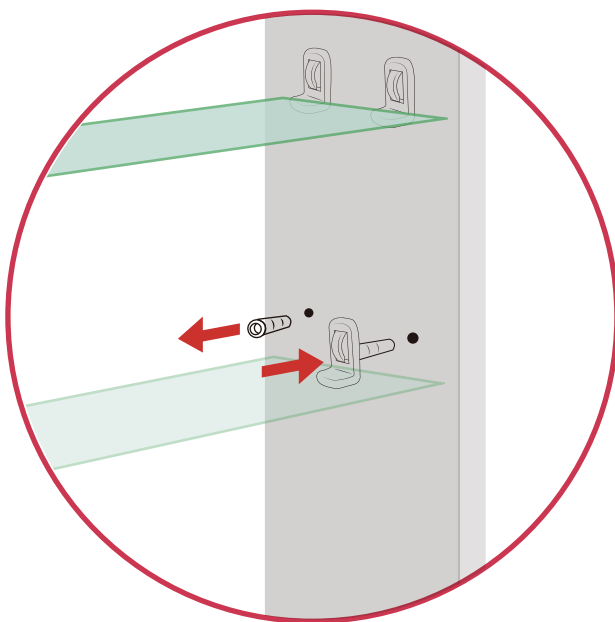
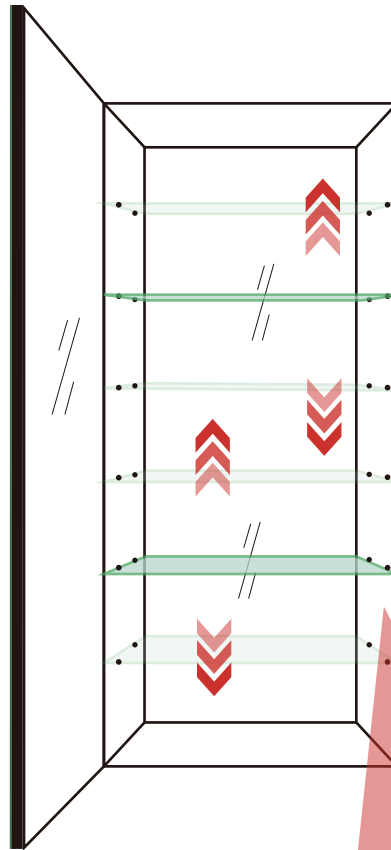
 <p>A</p>	 <p>B</p>
 <p>C</p>	<p>OPTIONAL DOOR ADJUSTMENT Doors may need to be adjusted after the initial shipping of the cabinet. The cabinet doors have a three-way adjustment feature. Height, side-to-side, level and depth can be adjusted. With the hinge slightly closed you can access the middle screw for up/down adjustment. With the hinge fully extended you can access the front and back screws. These screws will move the door side to side and in and out</p>

 <p>A</p>	 <p>B</p>
 <p>C</p>	 <p>C</p>

Step 5

Insert clear snap in shelf clips into holes on the sides of the cabinet.

Install the glass shelf.
Adjust the height according to your preference.





After power on, the button shows blue and it is in waiting state



Click the light button to turn on and the color changes to white

Click again to change the light color

Click the fourth time to turn off the light



LED



Long press to make the light gradually dims

Long press again and the light gradually brightens



Touch key to turn on/off defogging function.

When defogger is on, the button should be in blue color.

Defogger will turn off automatically after 60 minutes, touch the key to turn on again.