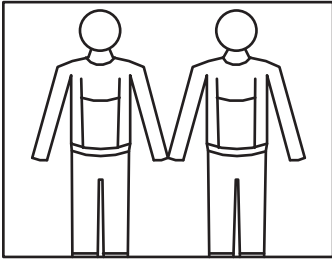


ASSEMBLY DIRECTIONS





**RECOMMENDED FOR INSTALLATION
BY TWO OR MORE PEOPLE.**



**IMPORTANT INFORMATION
PLEASE READ CAREFULLY.**

KEEP THIS MANUAL FOR FURTHER REFERENCE.

GENERAL GUIDELINES

- Please read the following instruction carefully and use the product accordingly.
- Please keep this manual and hand it over when you transfer the product.
- This summary may not include every detail of all variations and considered steps. Please **contact us** when further information and help are needed.

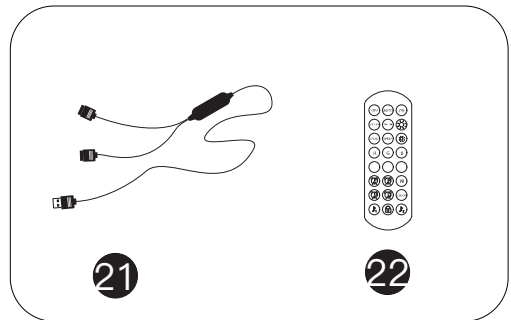
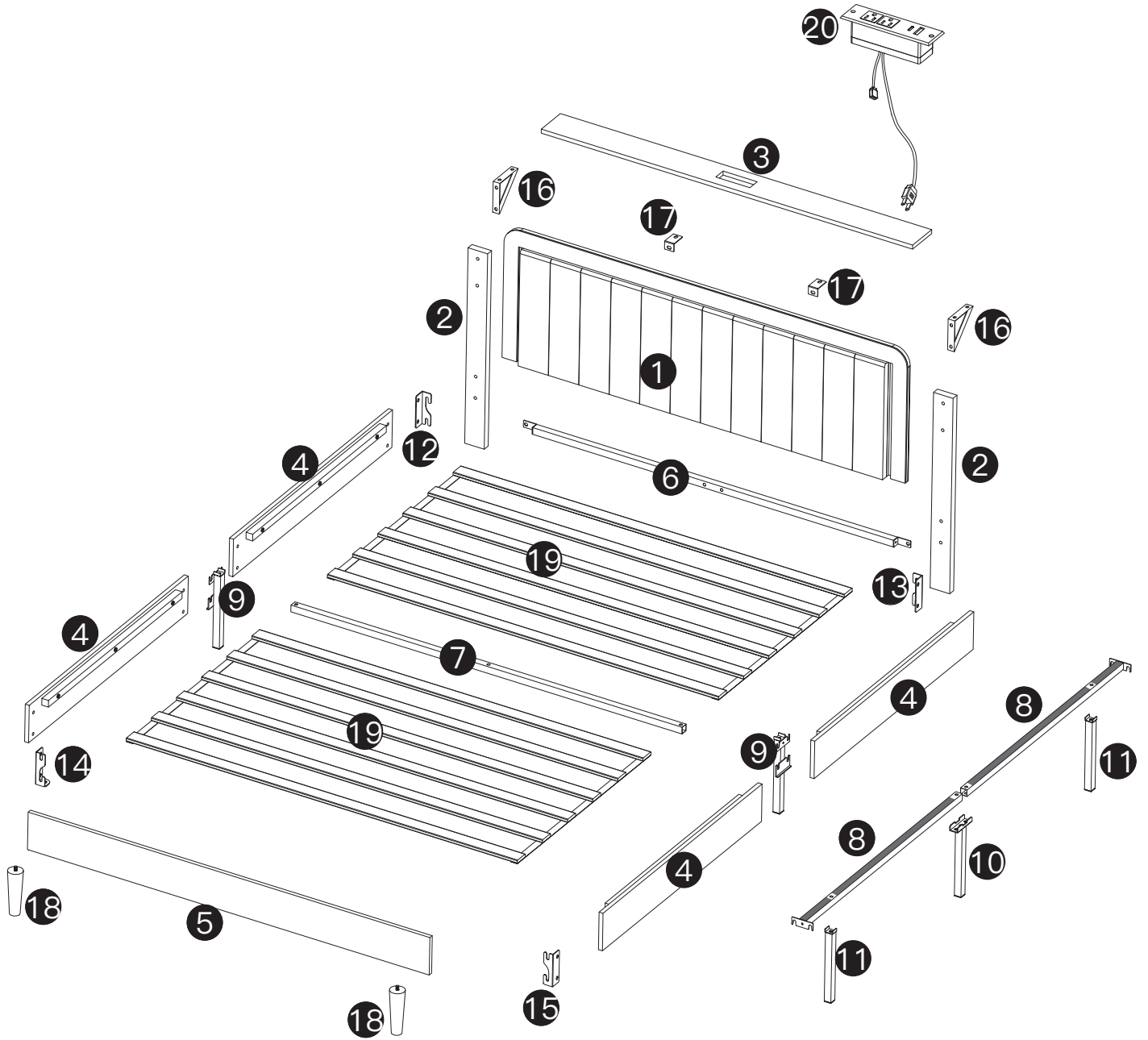
NOTES

- Please follow the assembly instructions precisely and only use the product as intended.
- If an odor is present when first opening the package, please leave the unwrapped product in a shaded and ventilated area for a few days to air out.
- Prior to assembly, please check the product for defects or missing accessories. If any defects are found or accessories are missing, do not use product as damage or injury may occur; Please **contact us** for assistance and replacement.
- It is suggested you regularly check the products bolts and connections to ensure safe use.
- Assemble the item on a soft flat and clean surface to avoid scratches and damage.
- Please wear gloves before installation.

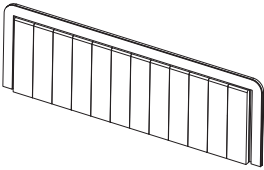

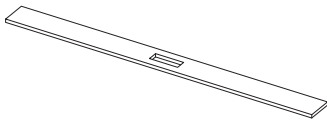
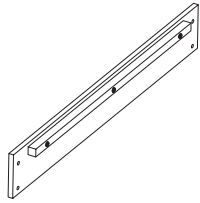
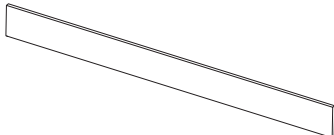
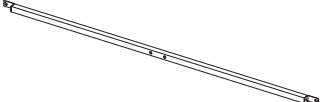
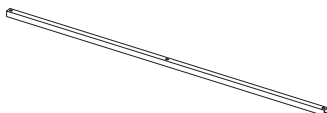
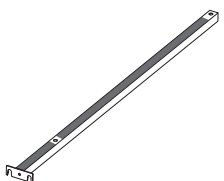





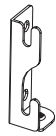

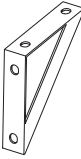
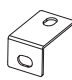

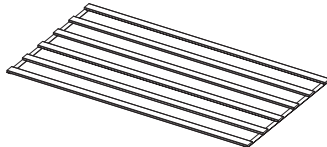
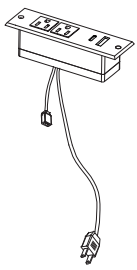
WARNINGS

- During assembly, keep parts and packaging materials away from children and pets as there could cause injury and are a potential choking hazard.
- Avoid sharp objects or corrosive chemicals to prevent damage to the product.
- Please open the item slowly and cautiously to avoid pinching your hands by metal joints, especially children.

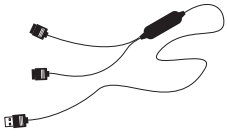
EXPLODED DRAWING:



PARTS

1  x1	2  x2	3  x1	4  x4
5  x1	6  x1	7  x1	8  x2
9  x2	10  x1	11  x2	12  x1
13  x1	14  x1	15  x1	16  x2
17  x2	18  x2	19  x2	20  x1

21



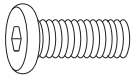
x1

22



x1

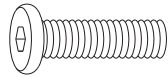
A



M8x16mm

x42

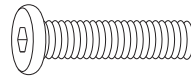
B



M8x40mm

x10

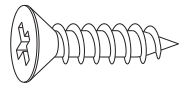
C



M8x50mm

x1

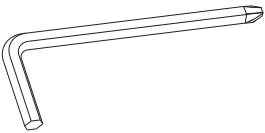
D



Ø4 x12mm

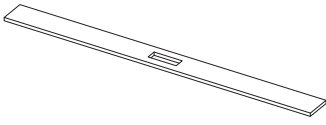
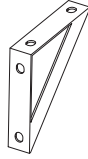
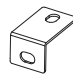
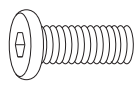
x2

E



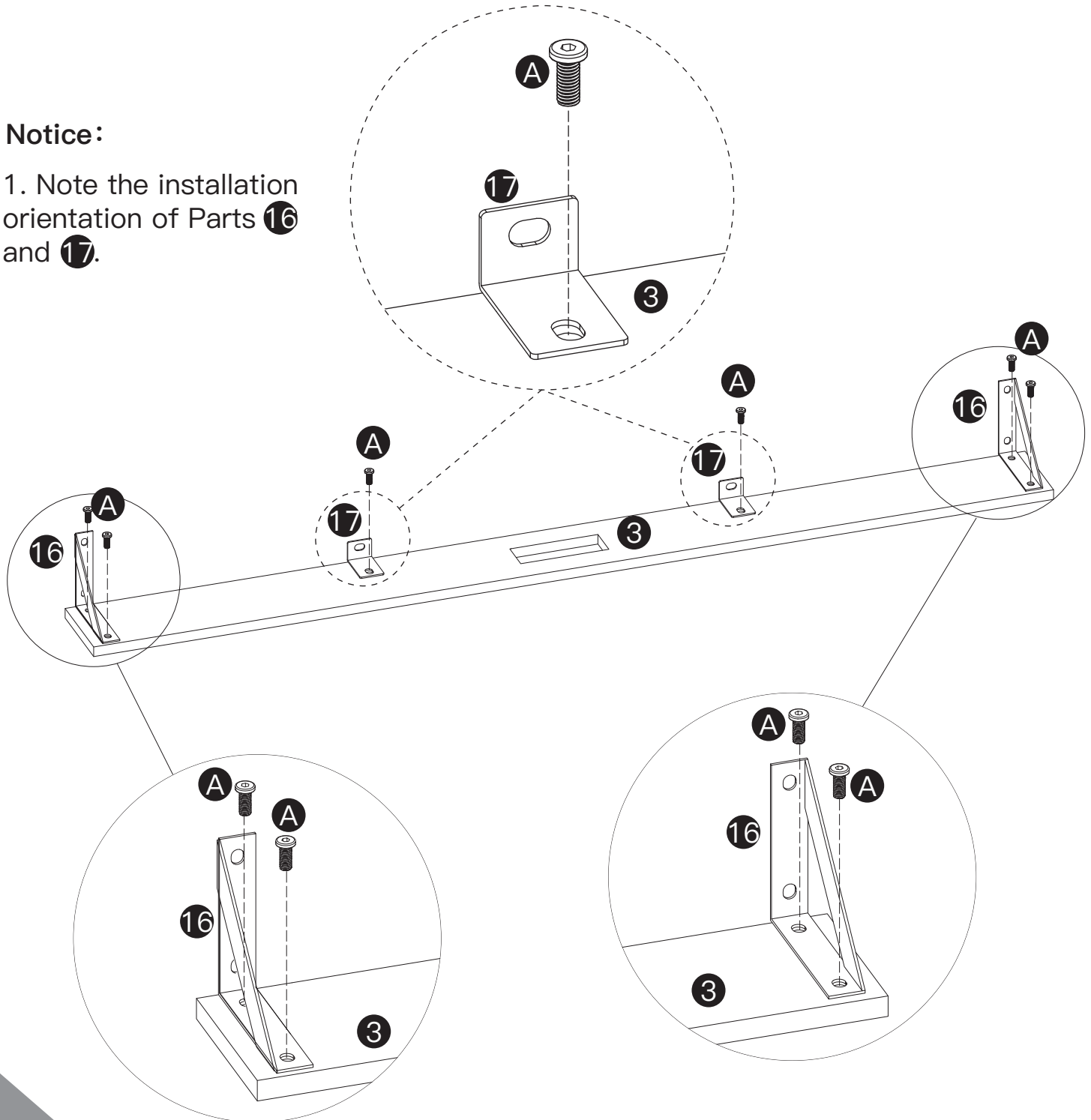
M5

x1

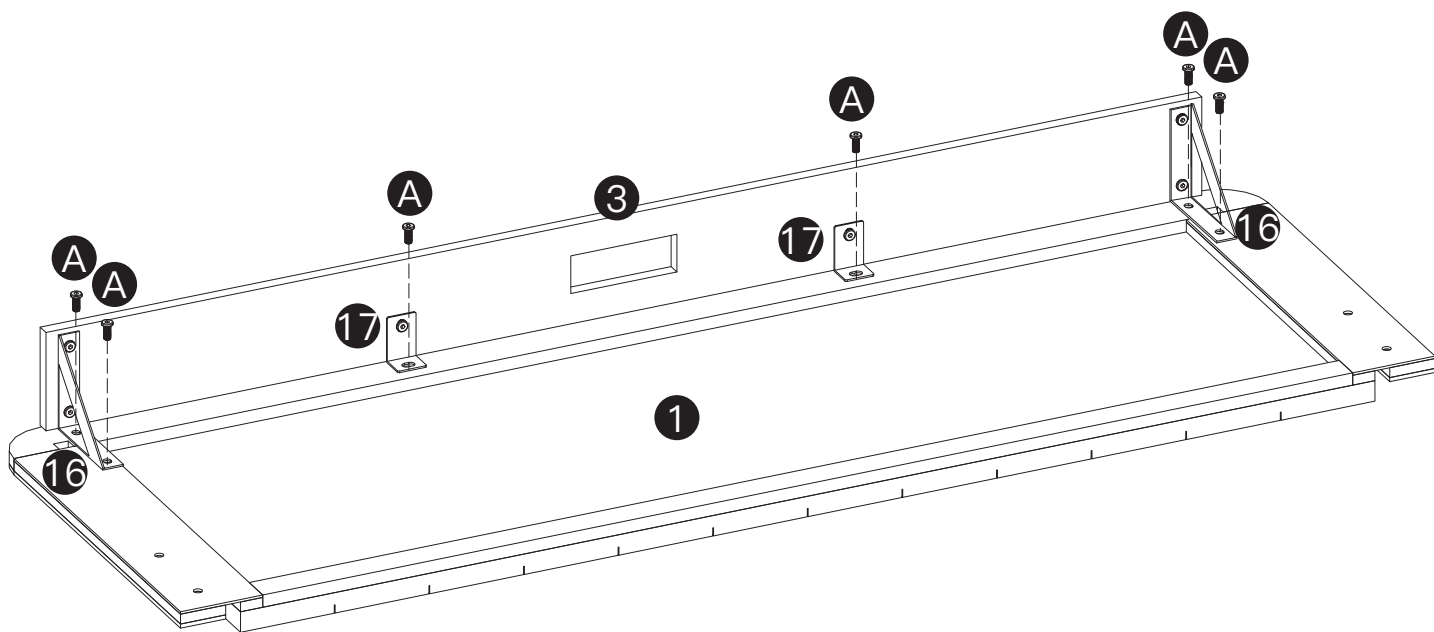
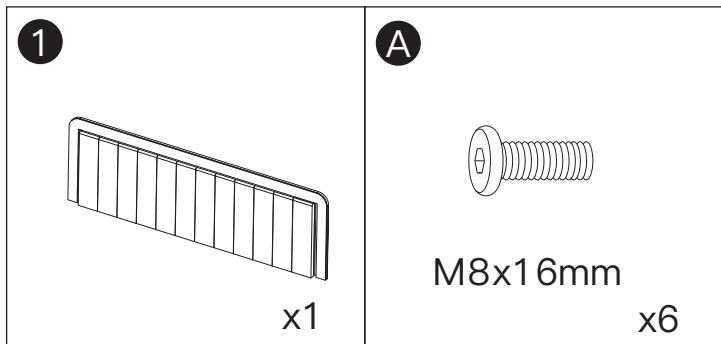
<p>3</p>  <p>x1</p>	<p>16</p>  <p>x2</p>	<p>17</p>  <p>x2</p>	<p>A</p>  <p>M8x16mm x6</p>
--	--	--	---

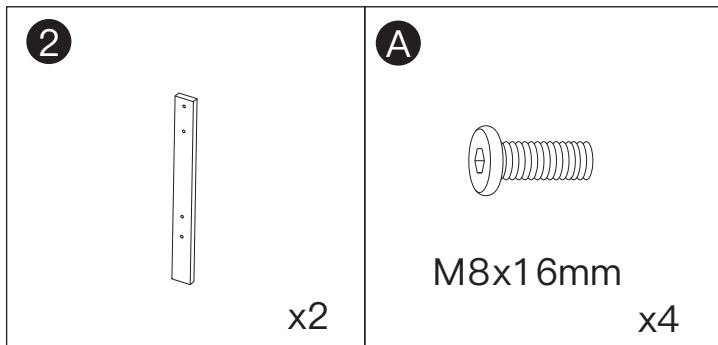
Notice:

1. Note the installation orientation of Parts **16** and **17**.

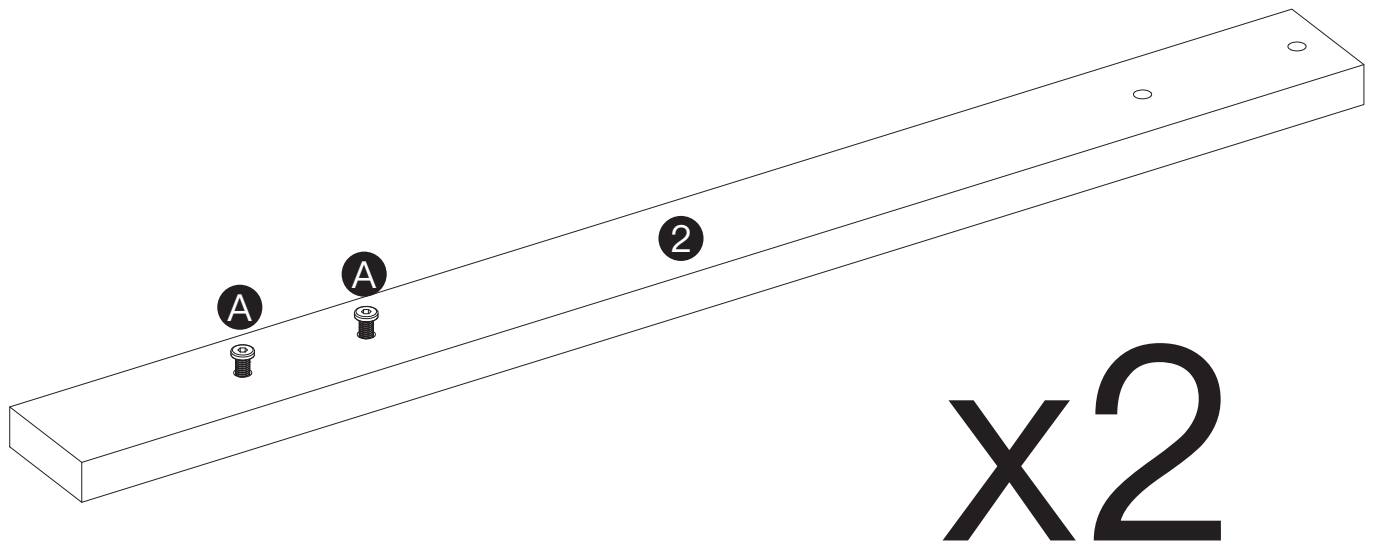


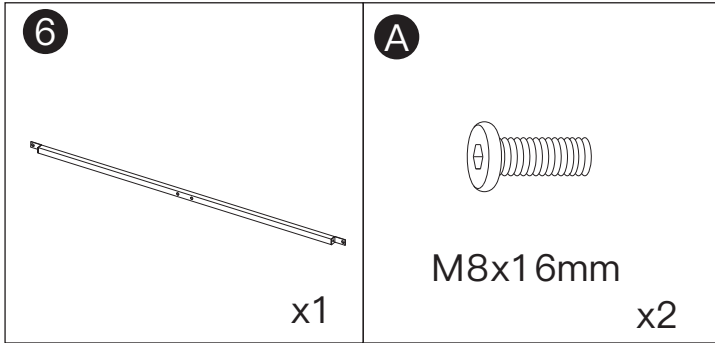
2. **DO NOT** fully tighten the screws until the next step is completed.



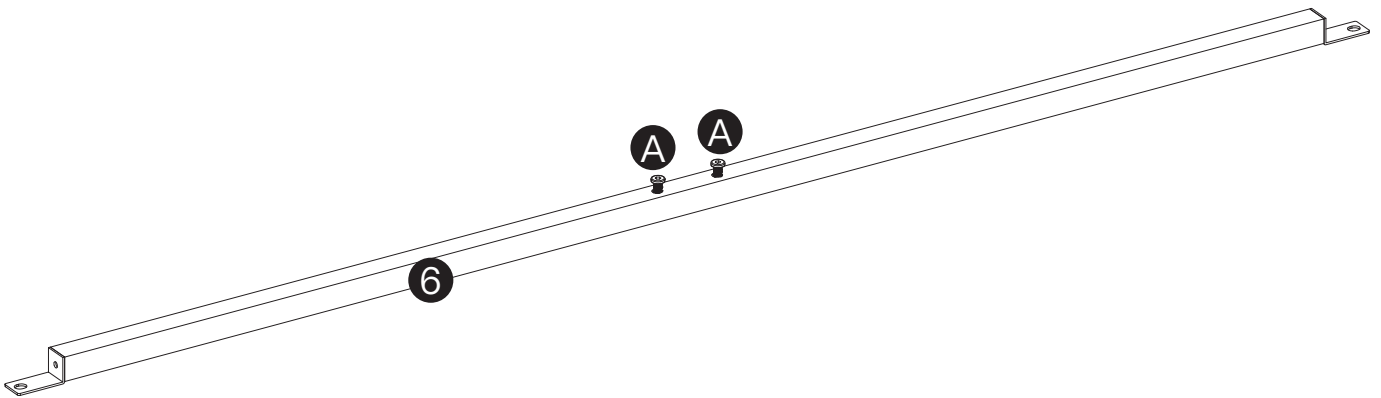
**Notice:**

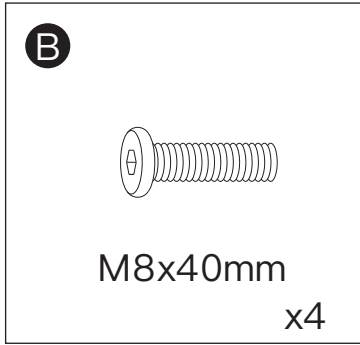
Screw part **A** in 1/2 at the marked position to make assembly easier.



**Notice:**

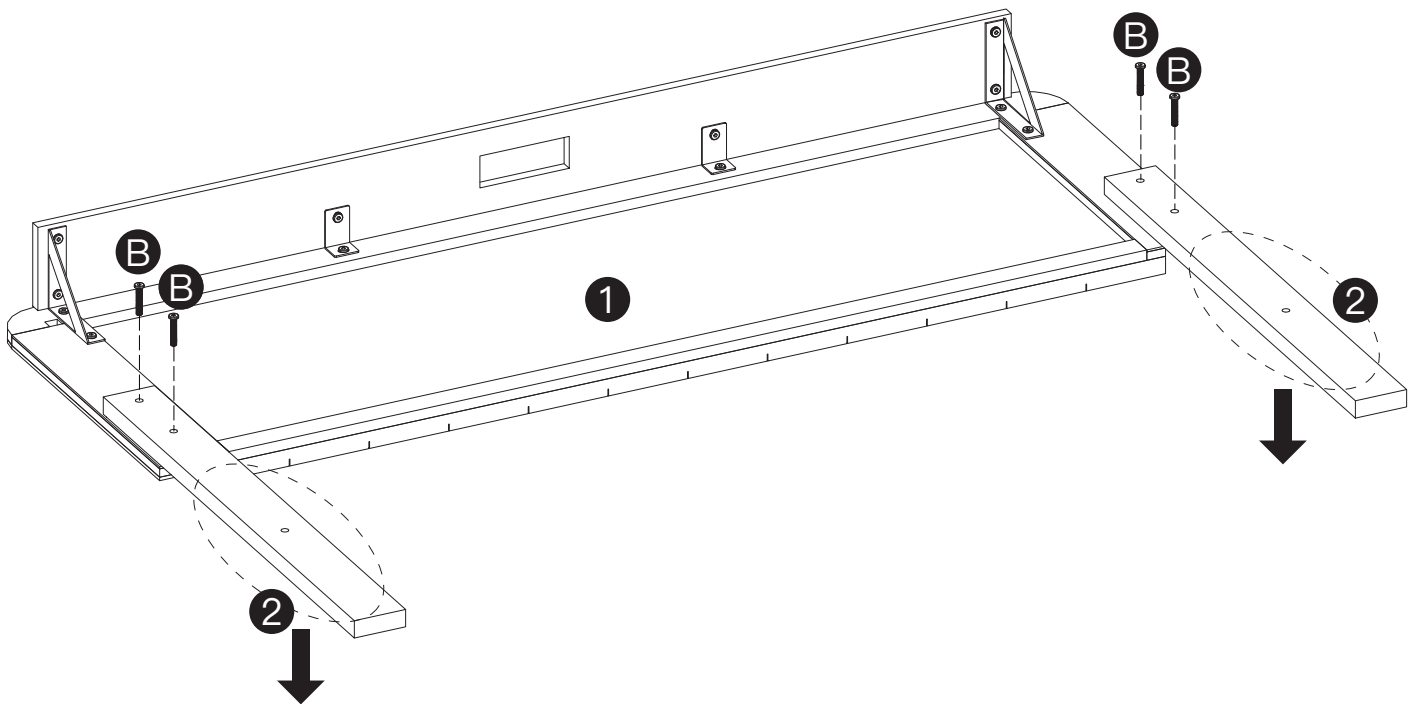
Screw part **A** in 1/2 at the marked position to make assembly easier.



**Notice:**

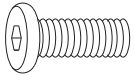
Place Part **2** with the screw-mounting side facing downward and toward the rear.

FRONT
BACK



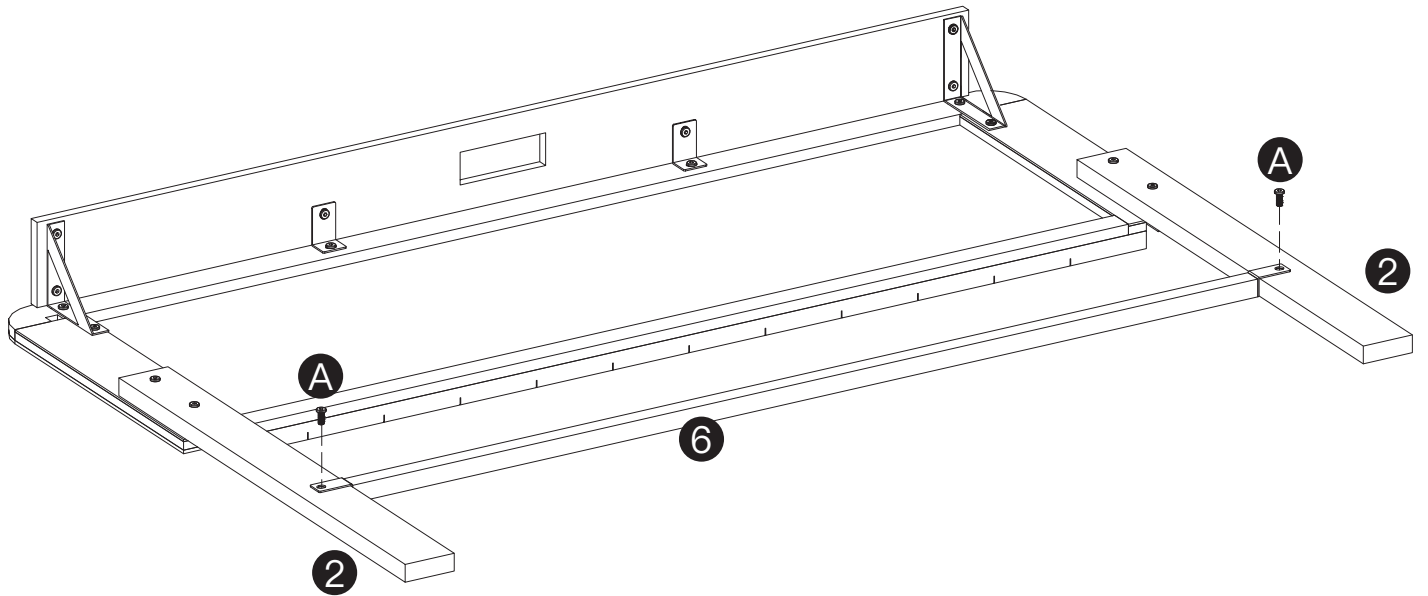
6

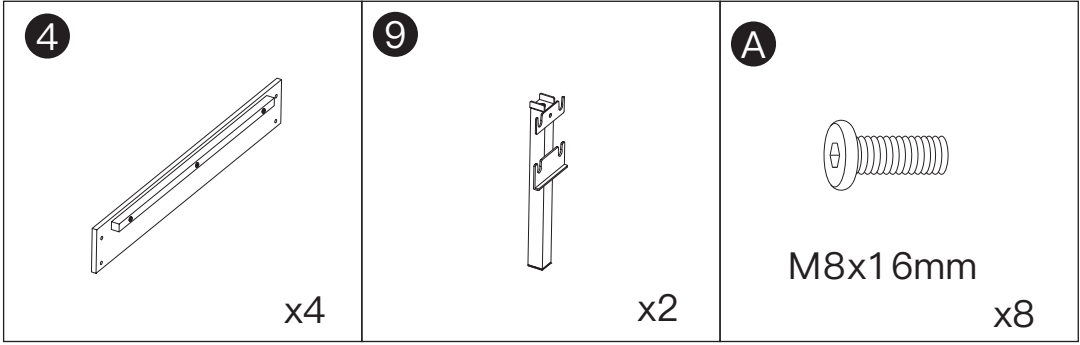
A



M8x16mm


x2

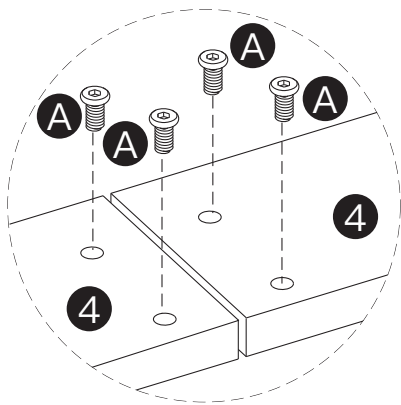
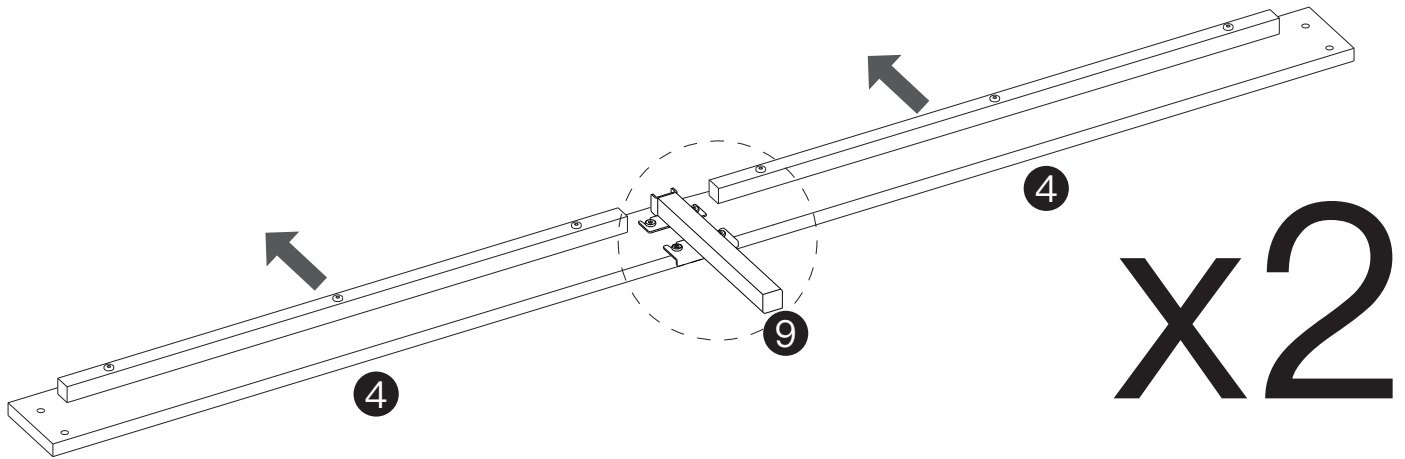




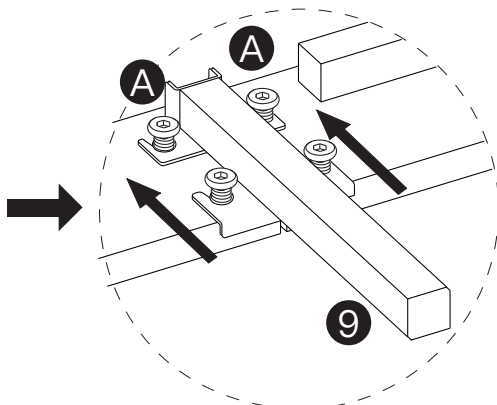
Notice:

The side with the Velcro should face forward.

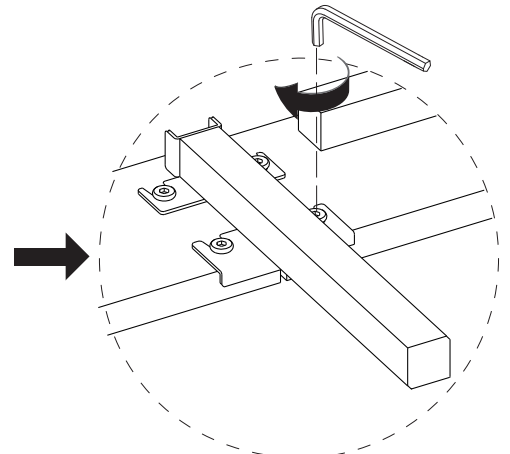
FRONT

 BACK





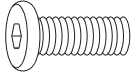
Screw part **A** in 1/2 at the marked position.

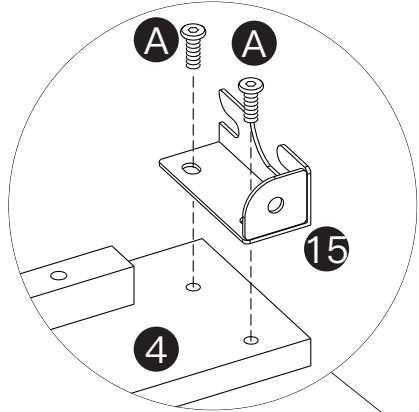


Hang part **A** onto part **9**.



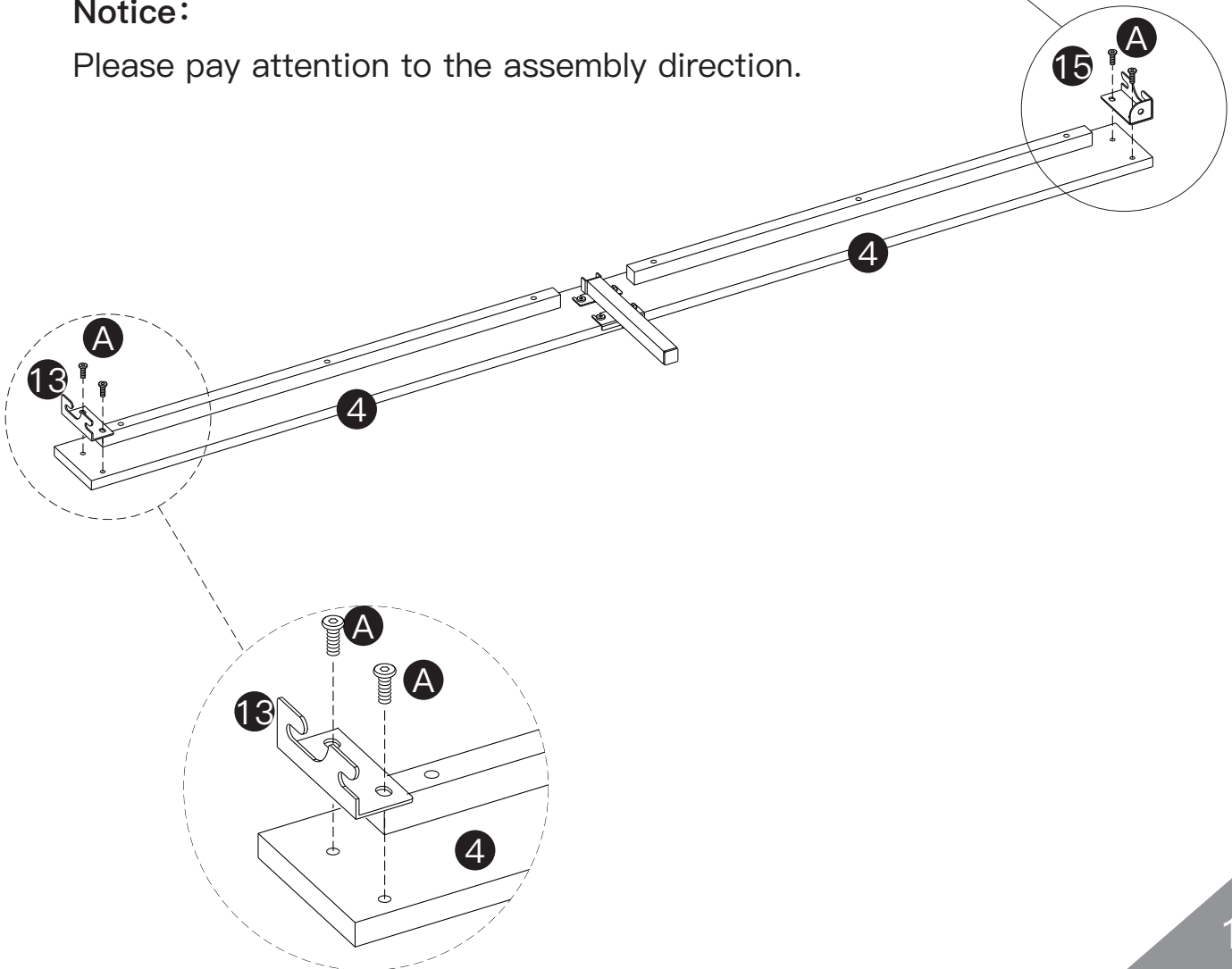
Tighten all screws.


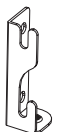
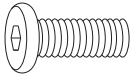
<p>13</p>  <p>x1</p>	<p>15</p>  <p>x1</p>	<p>A</p>  <p>M8x16mm x4</p>
---	---	---

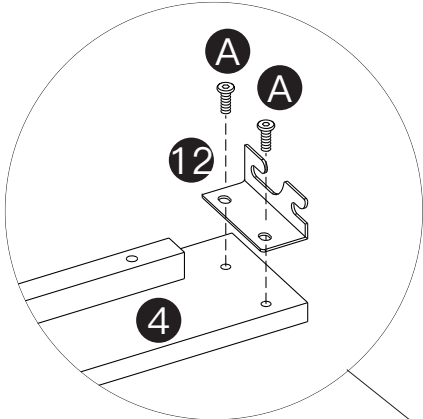


Notice:

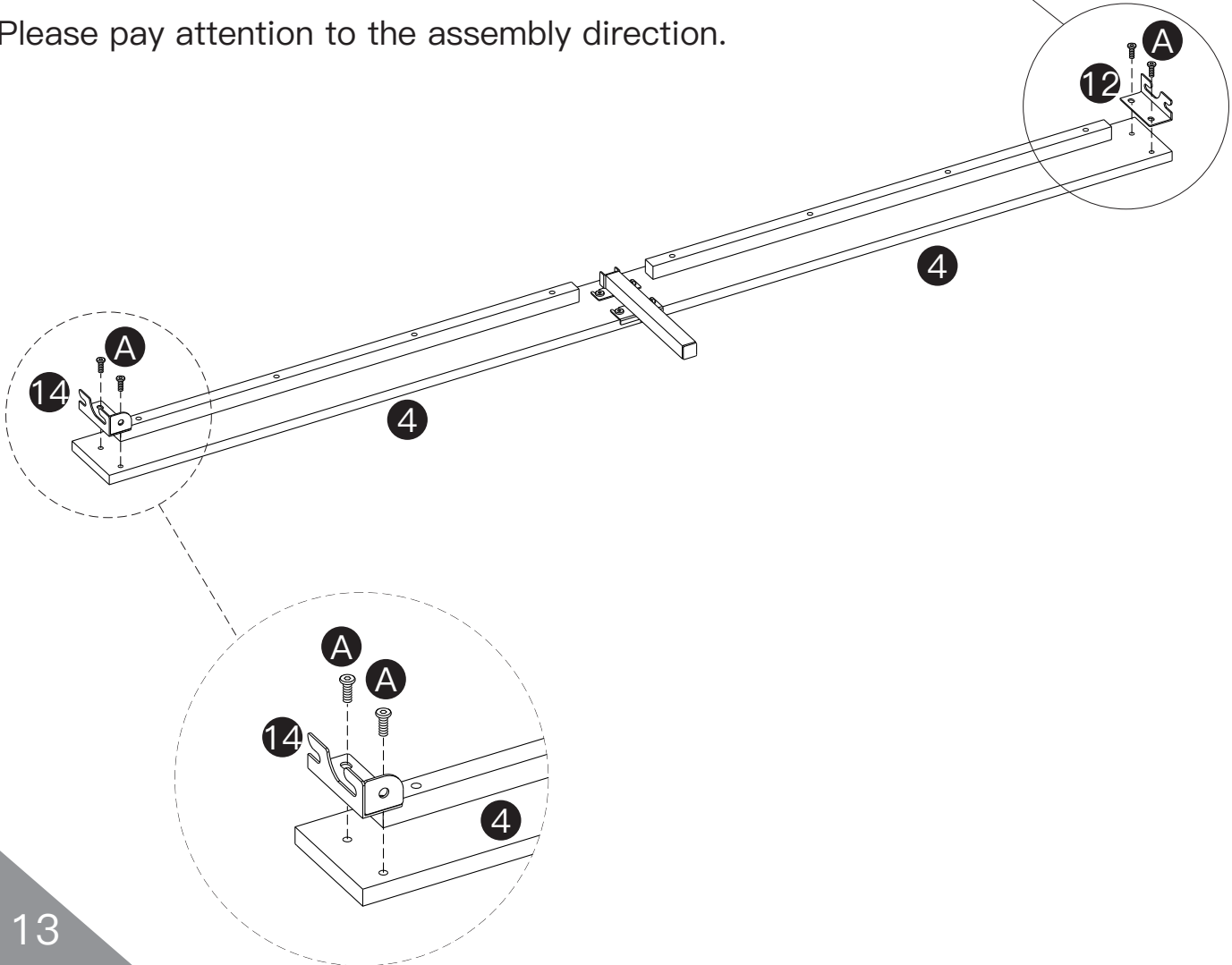
Please pay attention to the assembly direction.

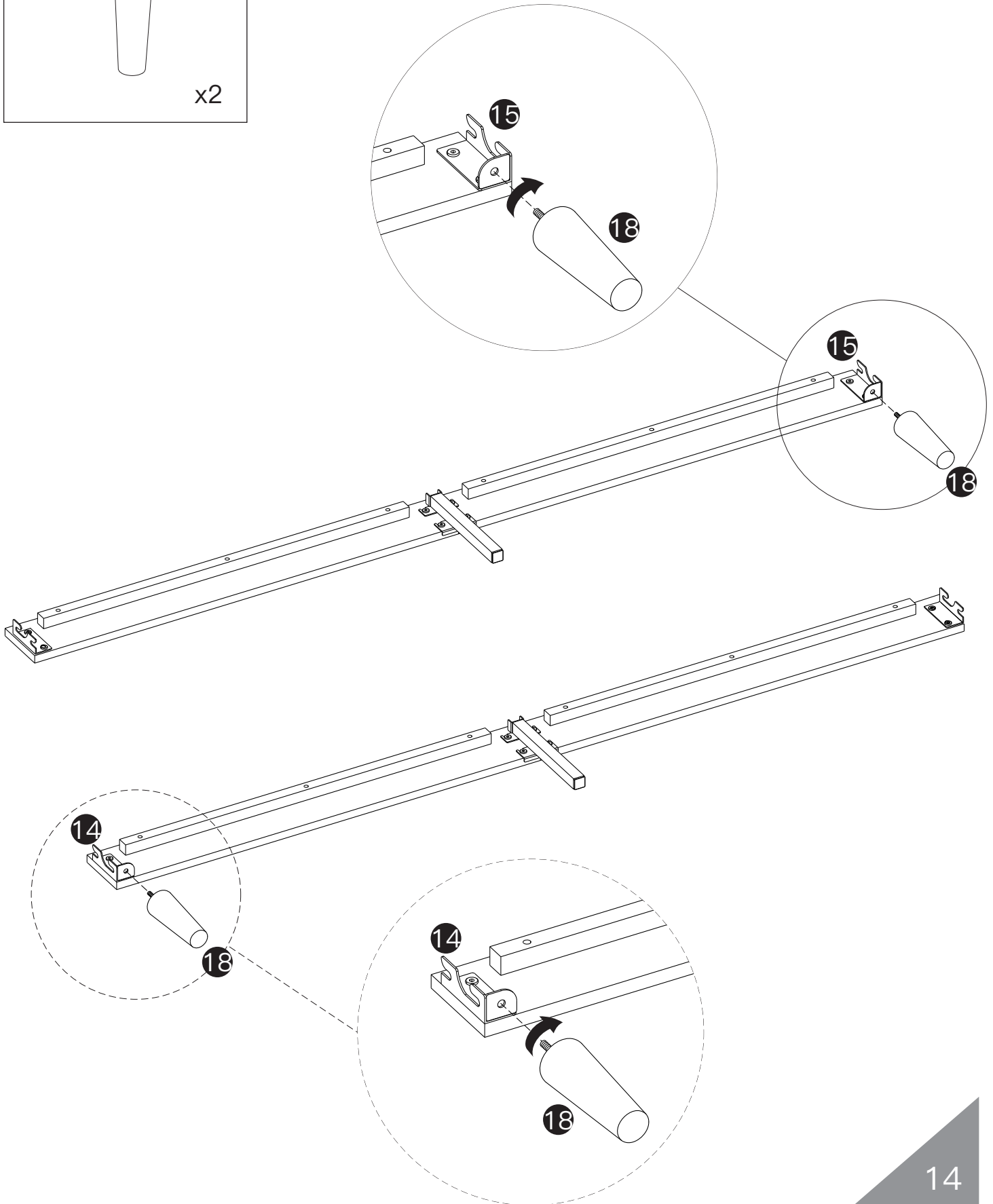
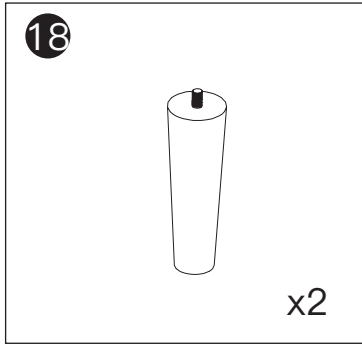


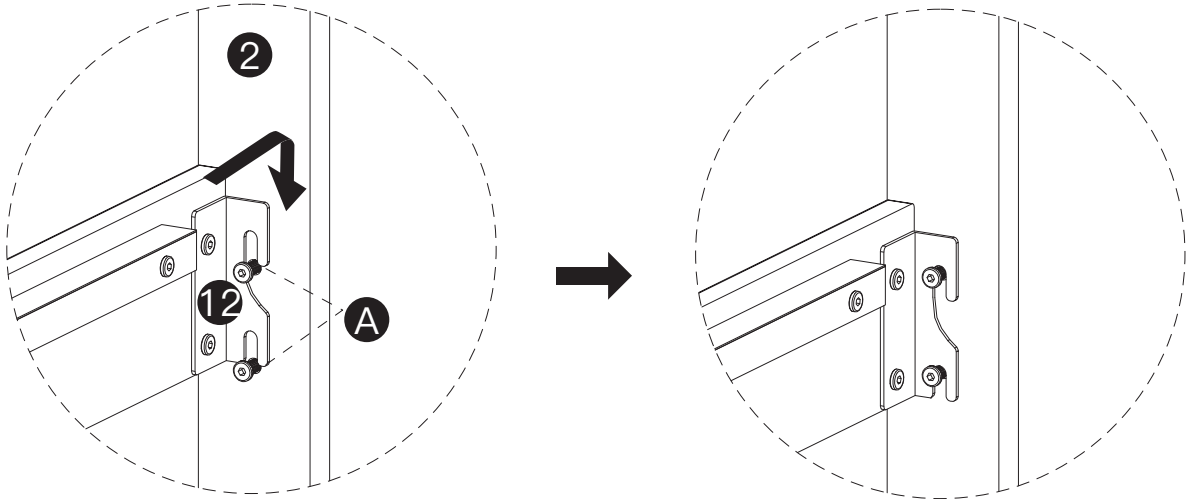
<p>12</p>  <p>x1</p>	<p>14</p>  <p>x1</p>	<p>A</p>  <p>M8x16mm x4</p>
---	---	---



Notice:
Please pay attention to the assembly direction.

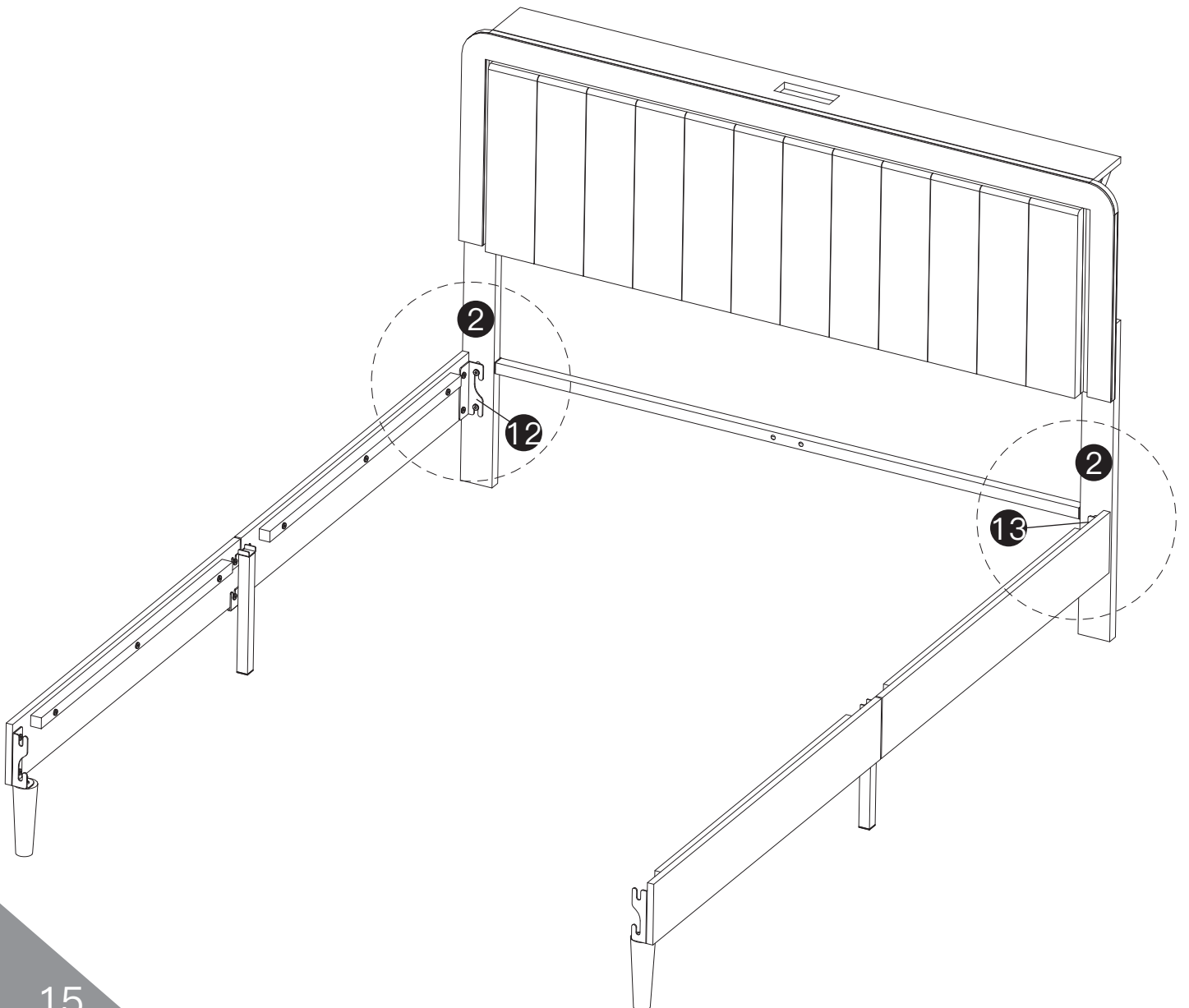


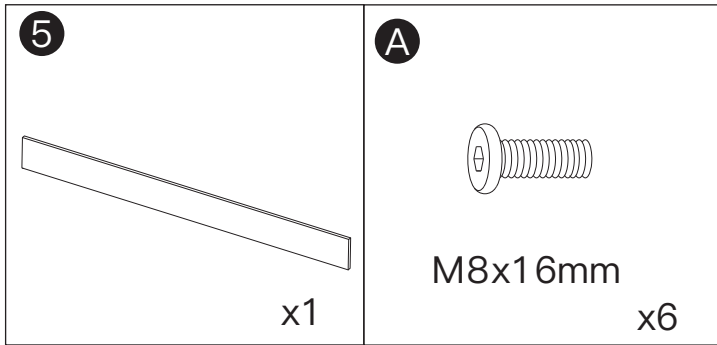




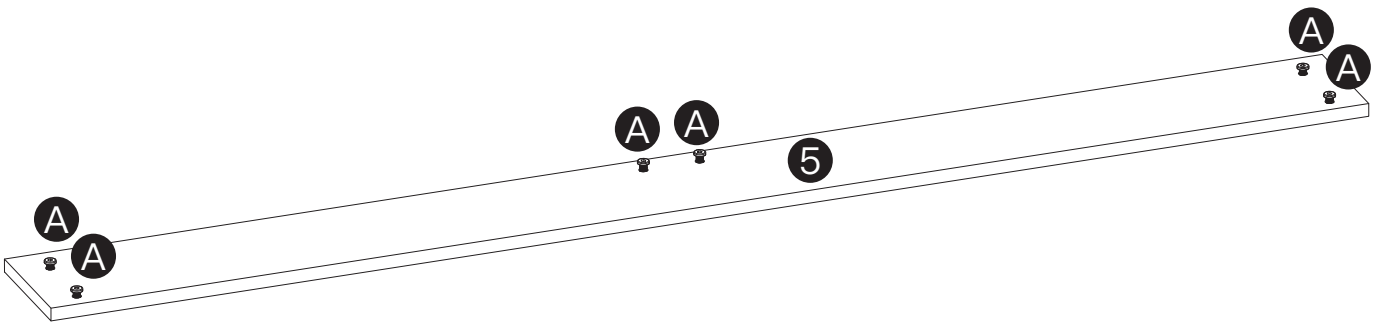
Hang part **A** onto
part **12** & **13** .

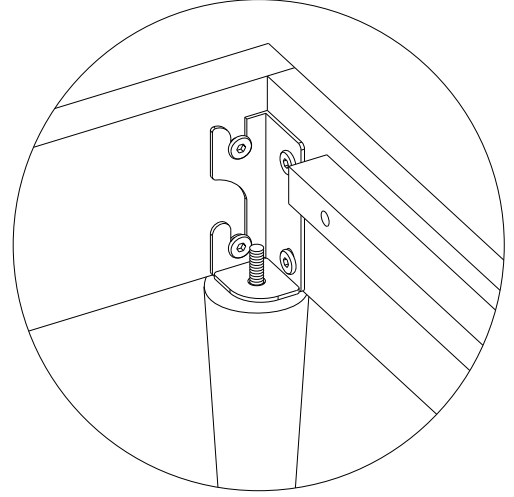
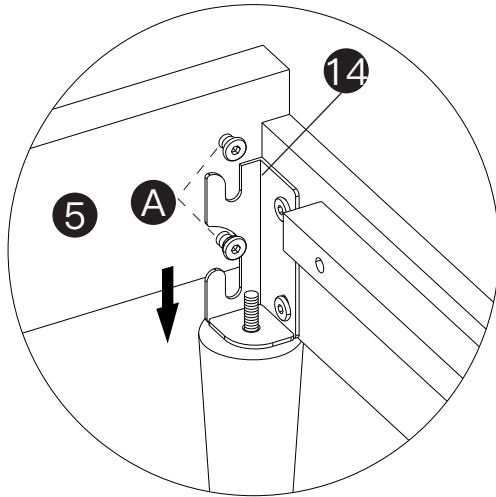
Tighten all screws.



**Notice:**

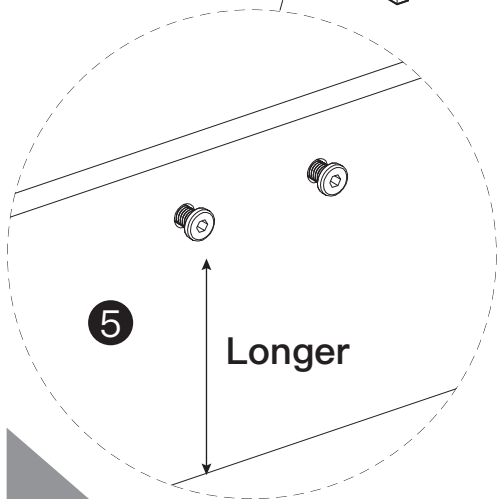
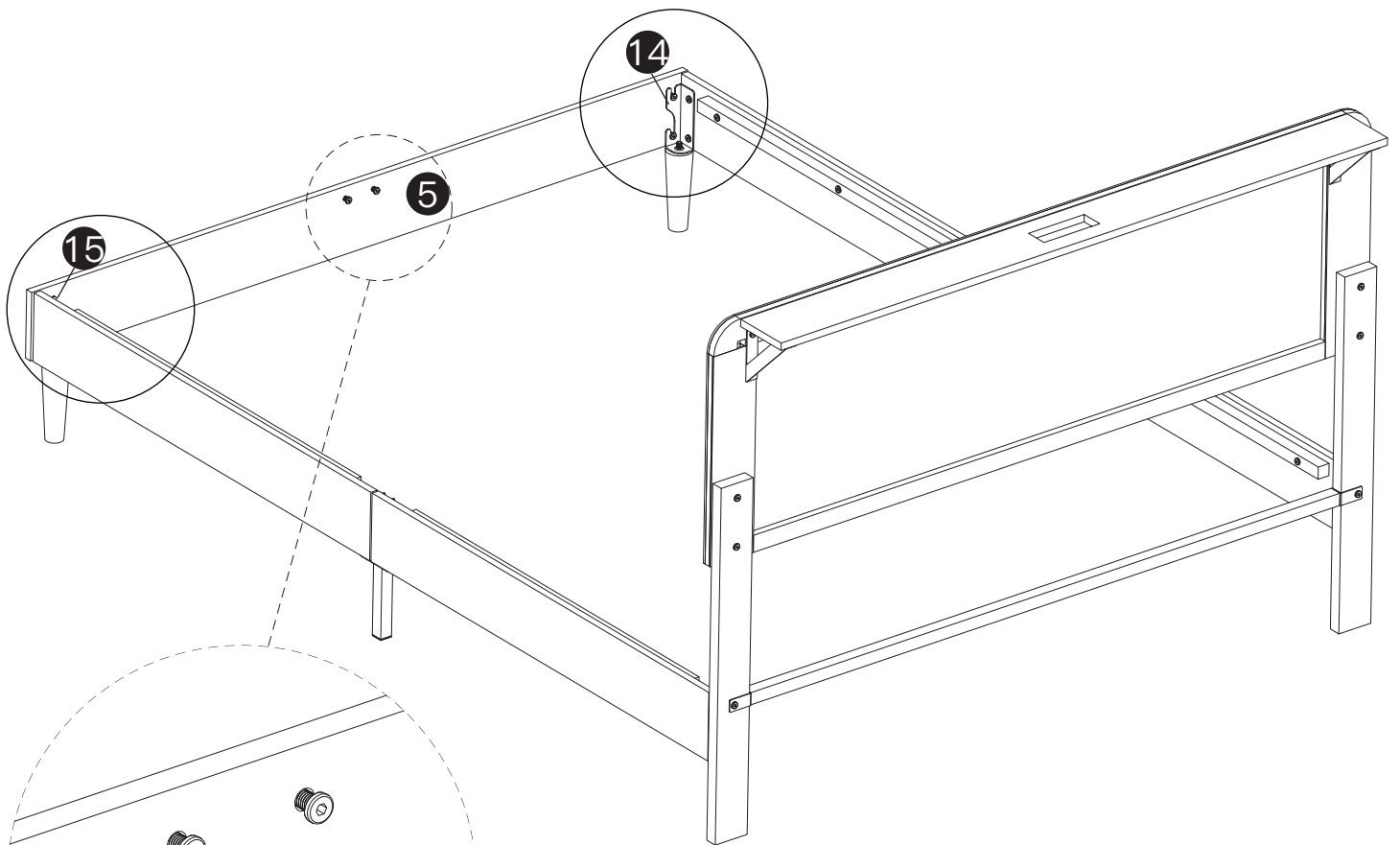
Screw part **A** in 1/2 at the marked position to make assembly easier.



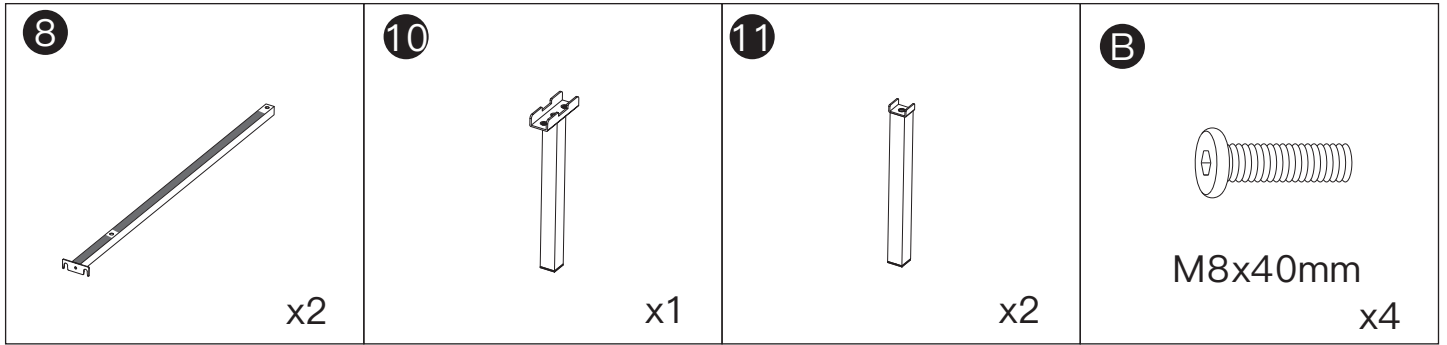


Hang part **A** onto part **14** & **15** .

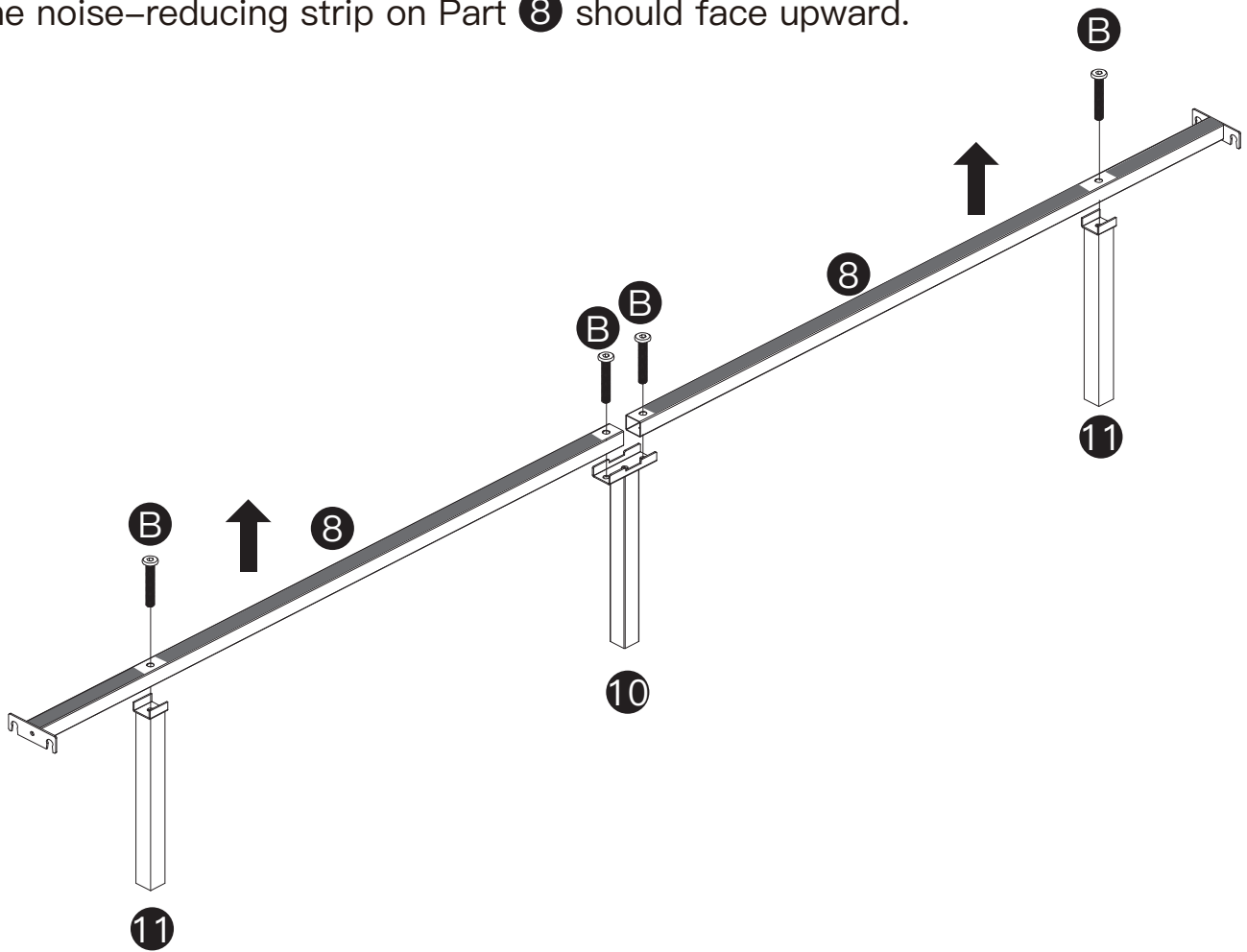
Tighten the screws.

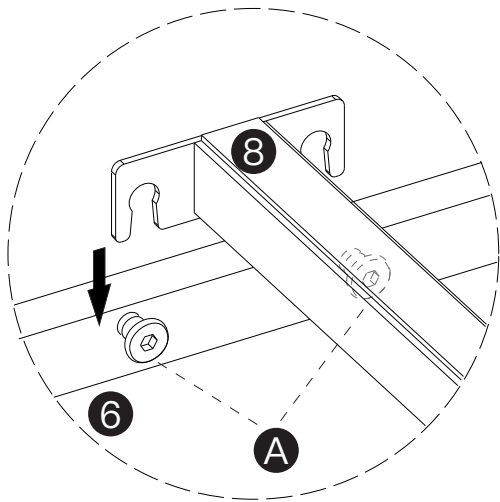


Notice:
Please note the installation orientation of Part **5** .

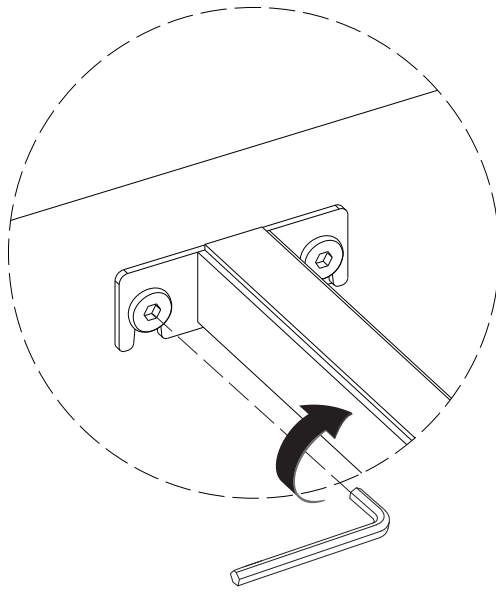
**Notice:**

The noise-reducing strip on Part **8** should face upward.

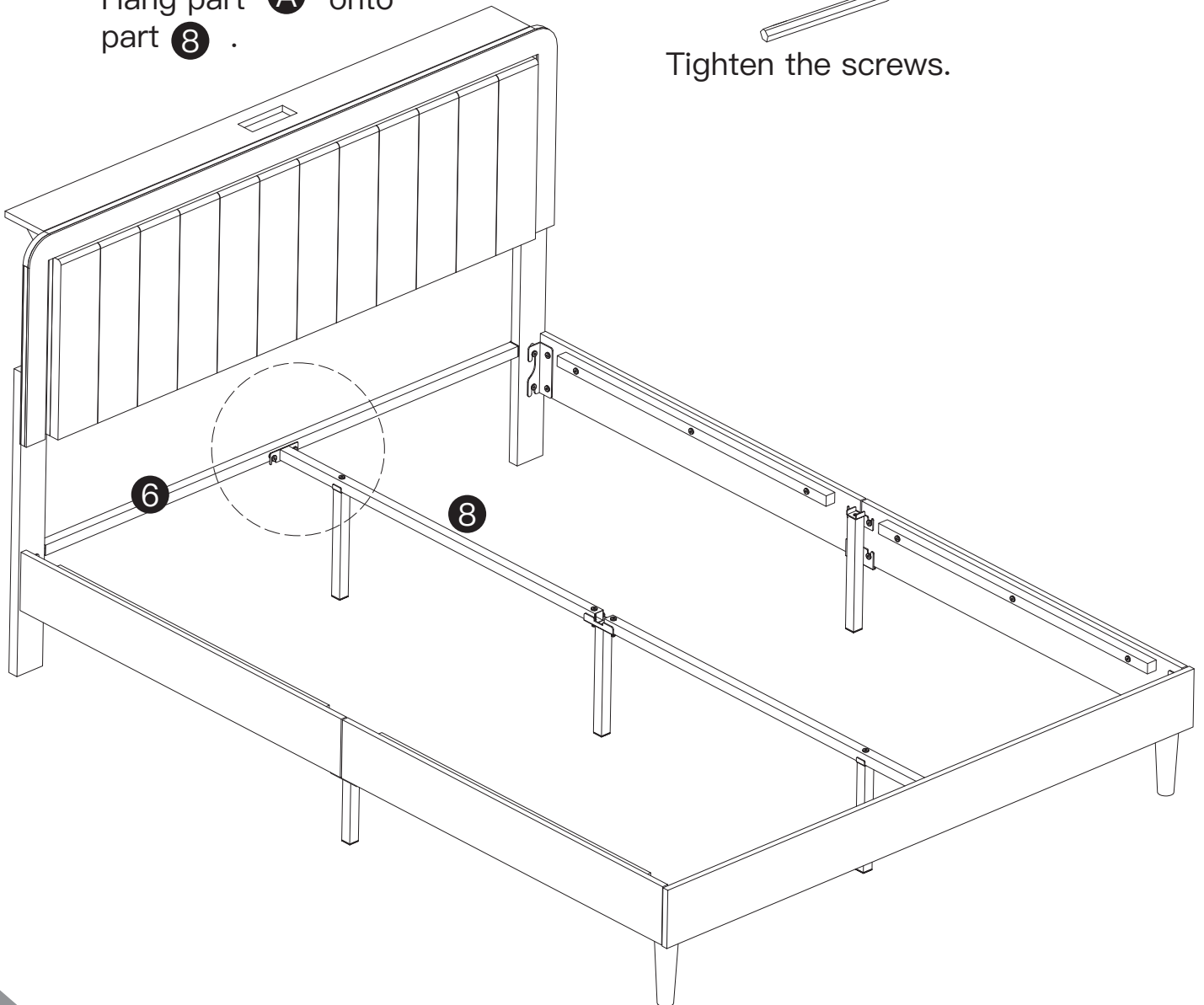


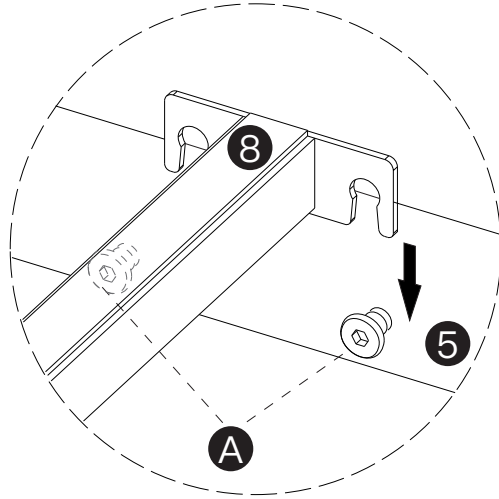


Hang part **A** onto part **8**.

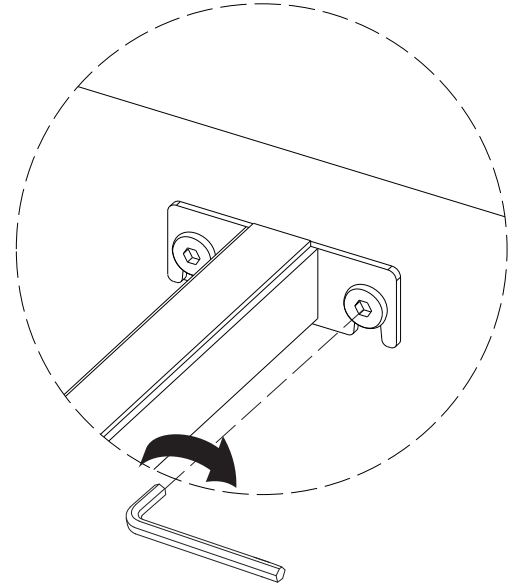


Tighten the screws.

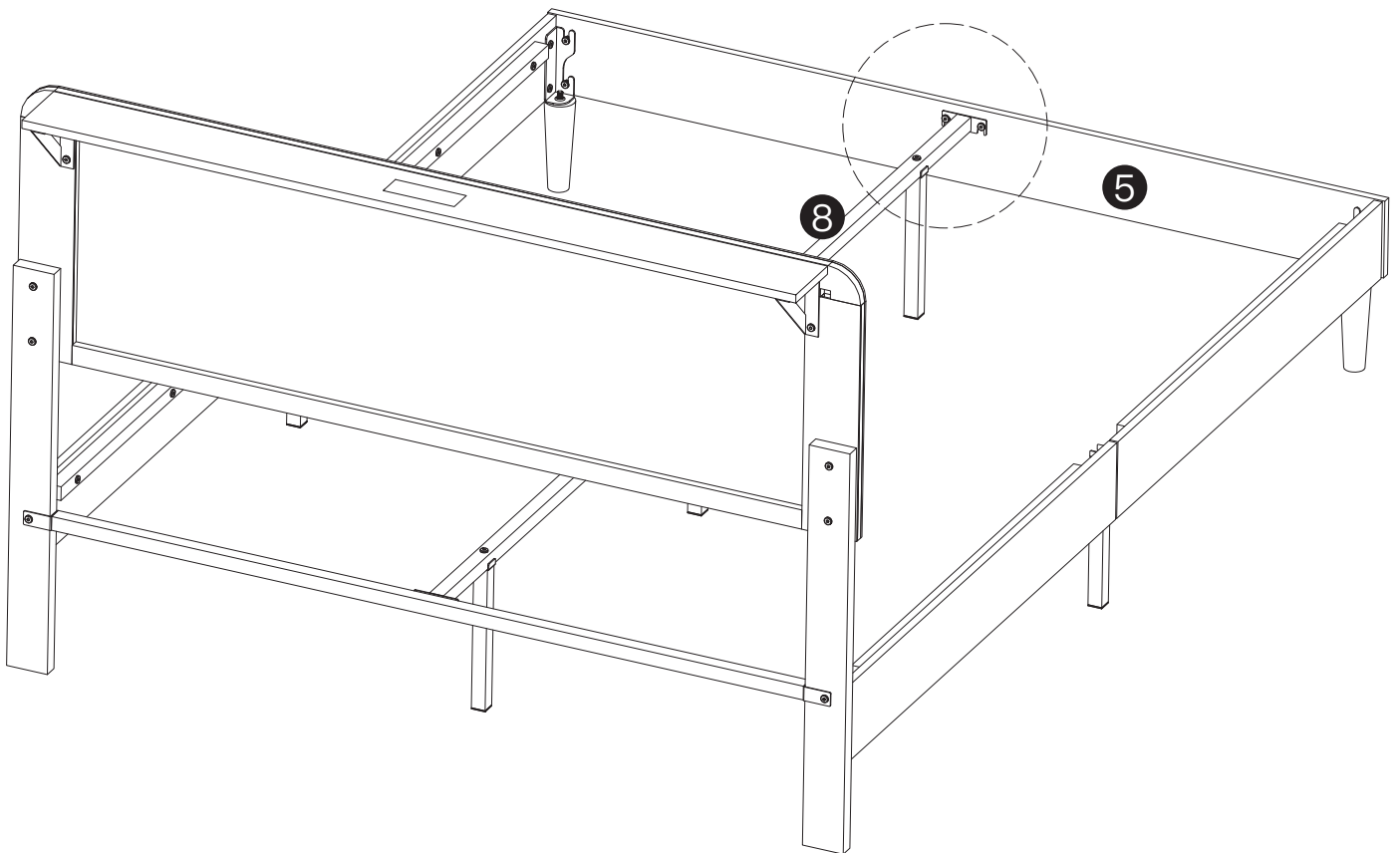


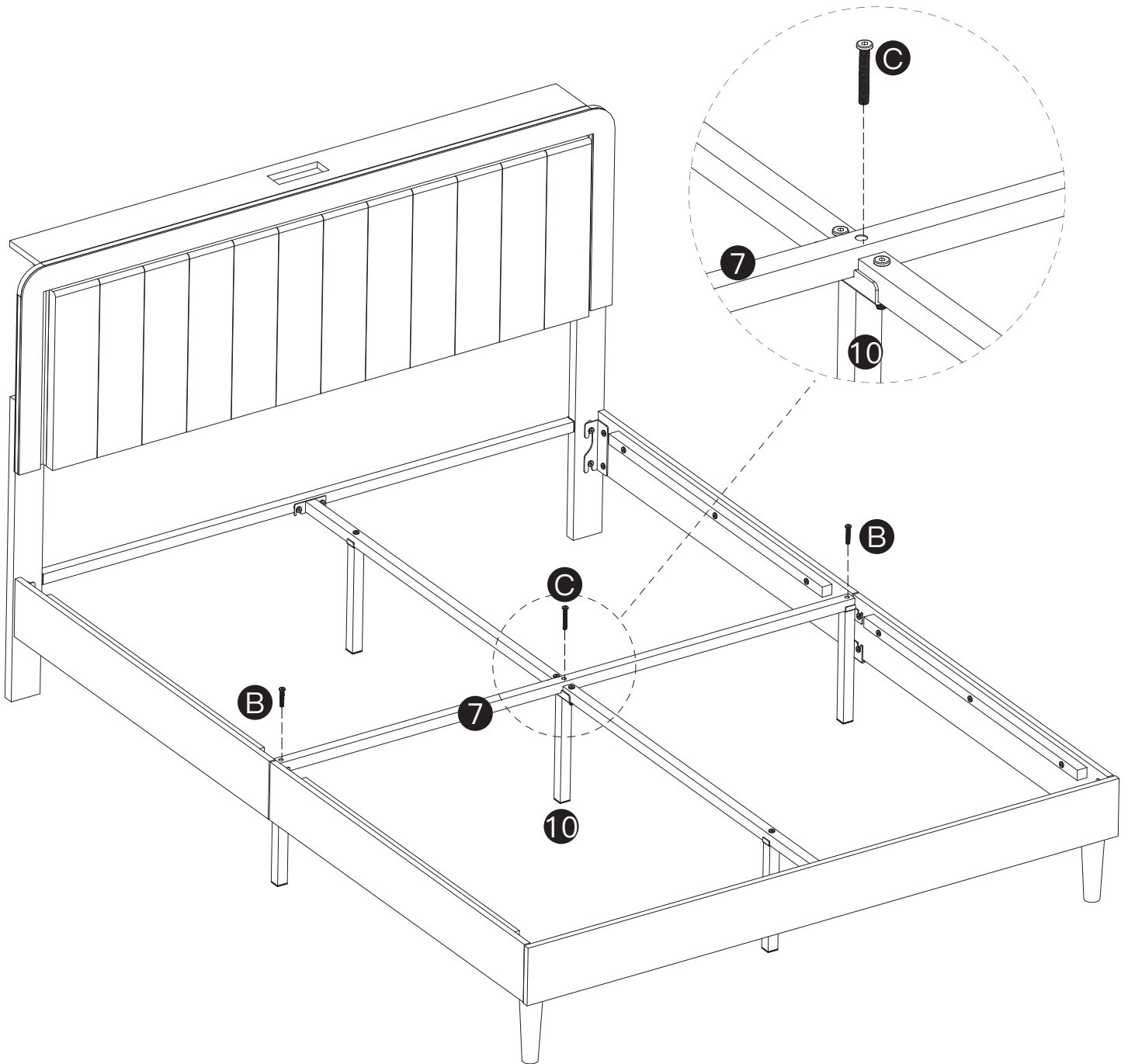
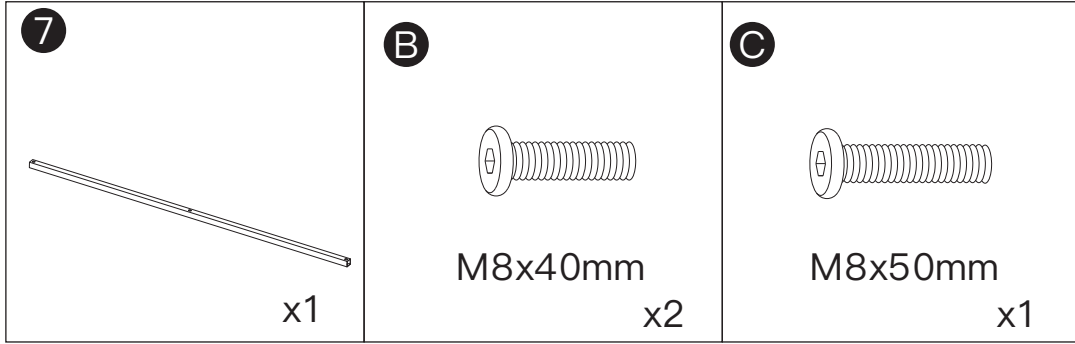


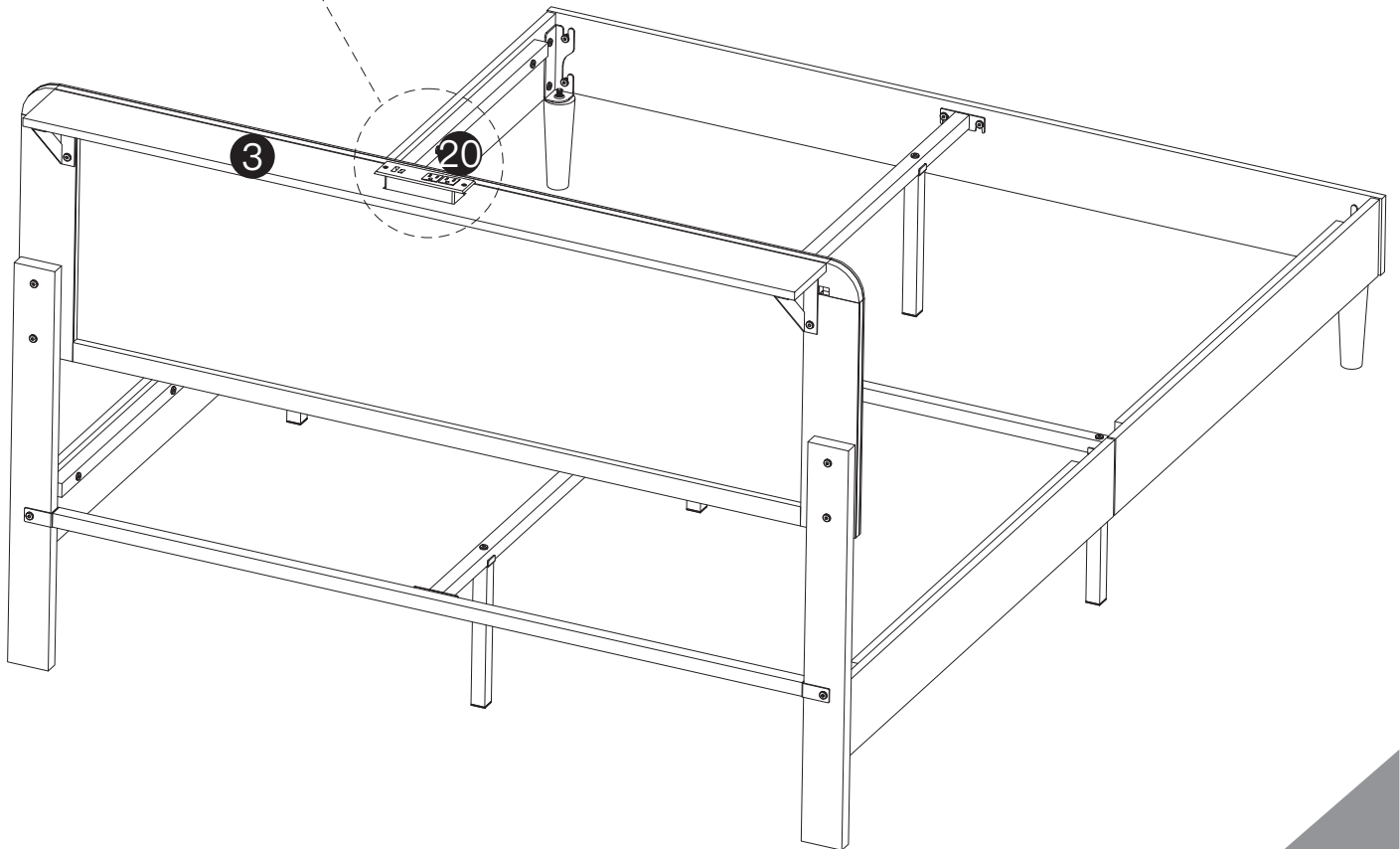
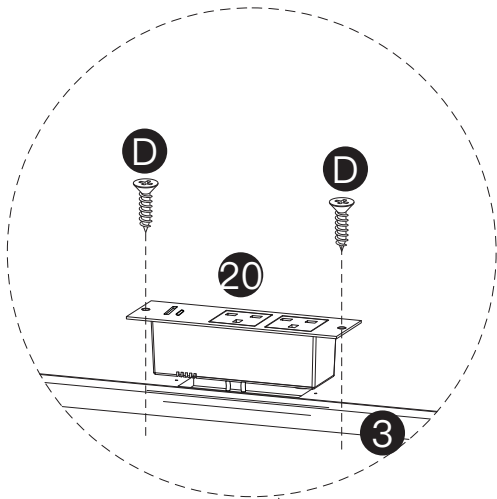
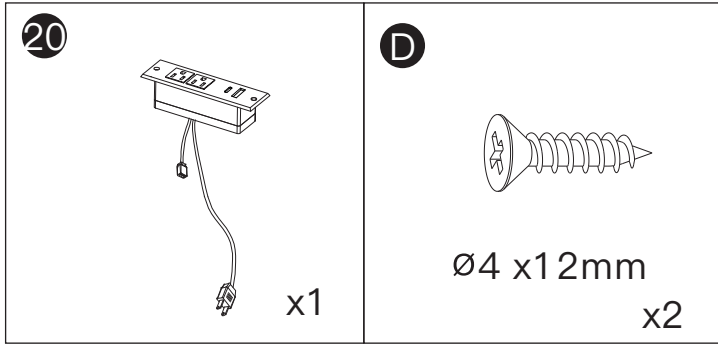
Hang part **A** onto
part **8** .

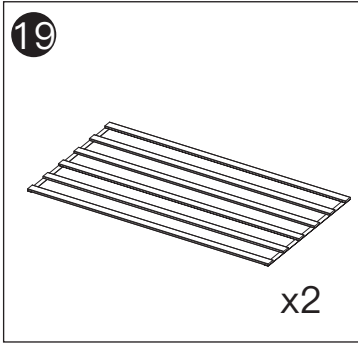


Tighten the screws.

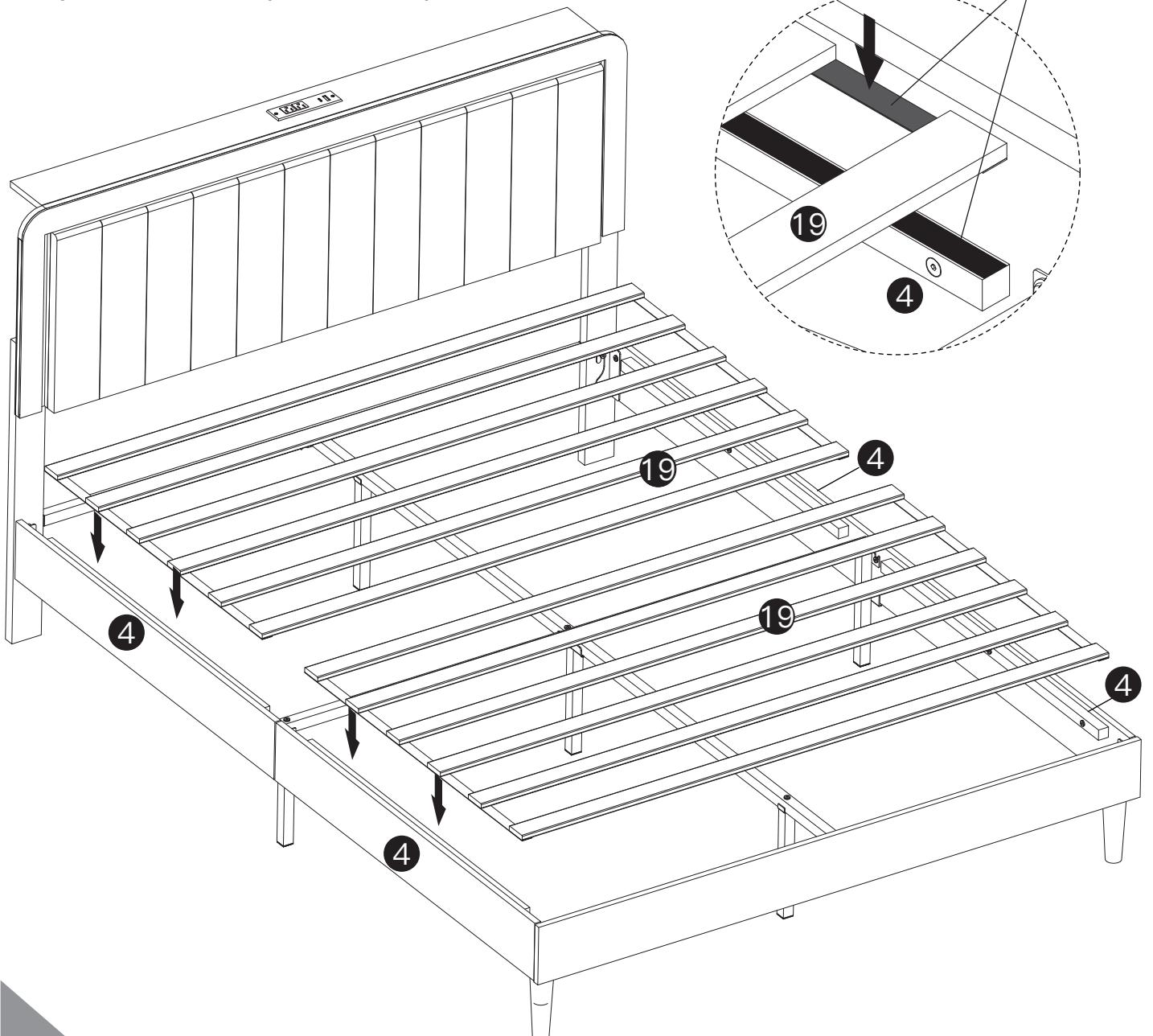


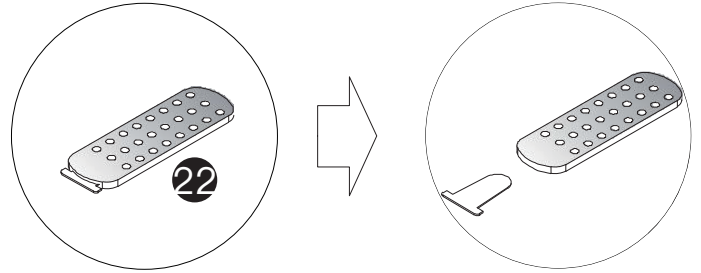
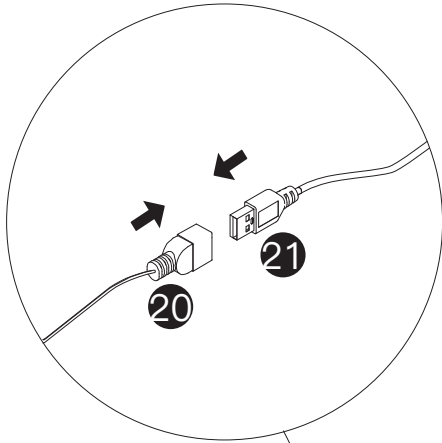
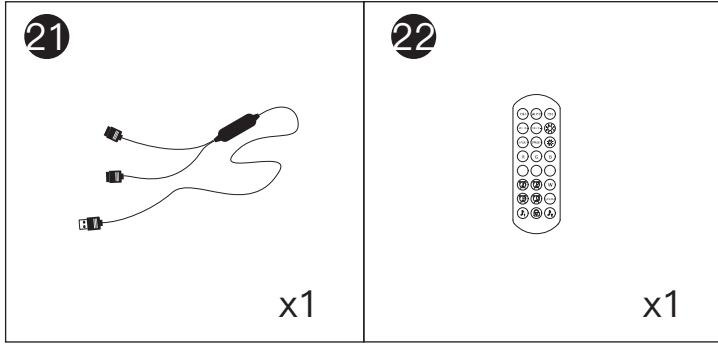




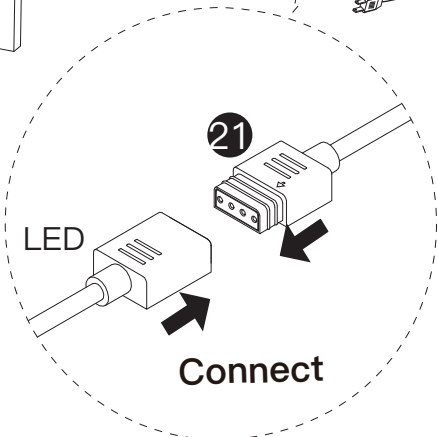
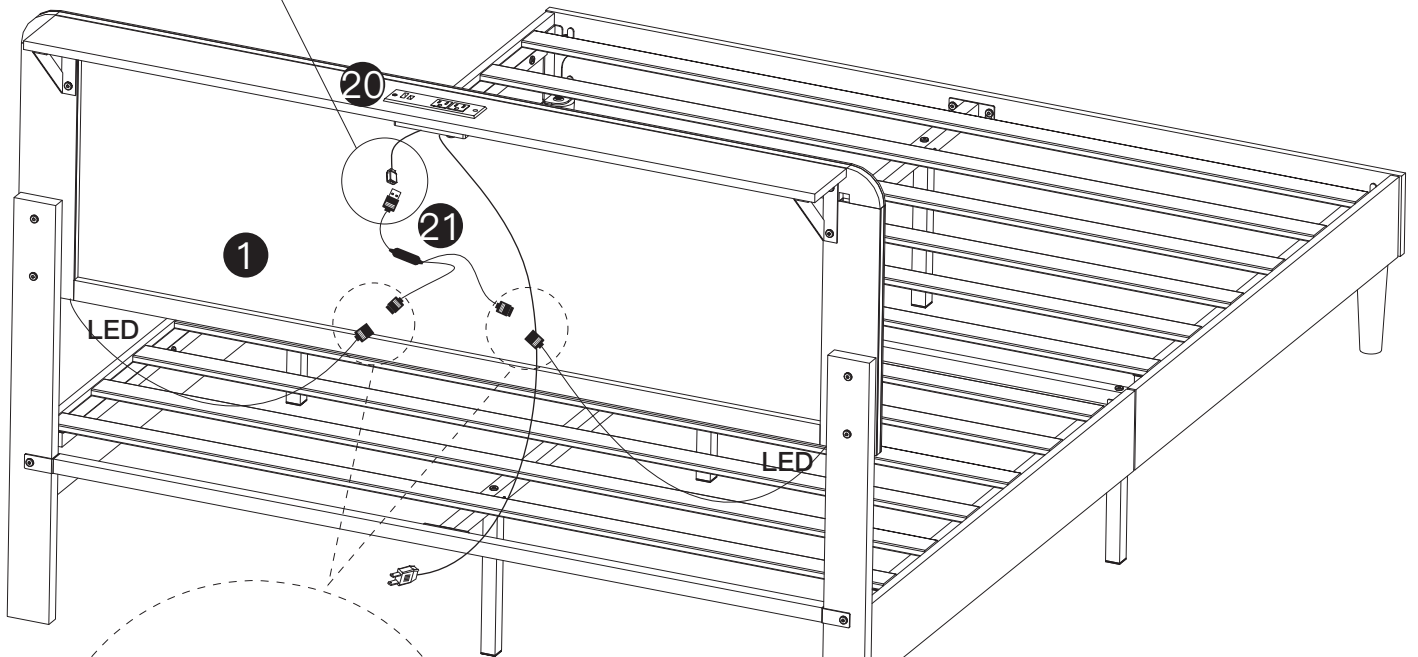
**Notice:**

Ensure that the Velcro on Parts 4 and 19 are joined smoothly and evenly.





Remove the plastic sheet from Part 22 before use.





No jumping or roughhousing



After-Sales Support

Dear Customers,

Congratulations on receiving your product! We hope it fits your home needs perfectly.

A digital installation manual is attached for easy assembly. If you encounter missing parts, unclear instructions, or damaged components, please contact us at once. We will provide free after-sales service and offer one-on-one guidance until your issue is resolved.

Important Notes:

- New furniture may have a slight natural odor (e.g., from panels/fabrics). Leave it in a ventilated spot for 2–3 days to let the smell fade.
- For first use: Operate gently (drawers, doors) to let hardware adjust to opening/closing—avoid force to prevent damage.

For any questions about usage, cleaning, or maintenance, feel free to reach out—we reply 7 days a week!

Thanks for choosing us!

After-Sales Service Department