

# HAPPINESS HAPPINESS INSTALLATION

## **CAUTION**

Parts are placed at the bottom of the product.

- If you have any questions with the product, please contact us

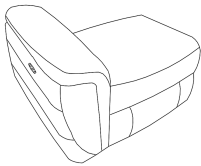
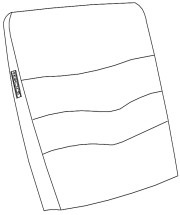
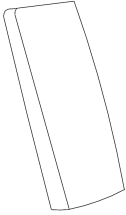
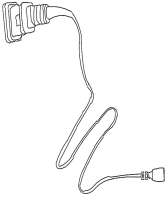

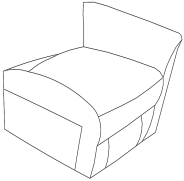

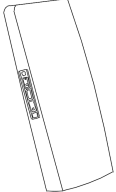
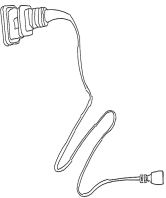

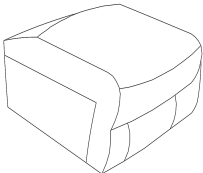
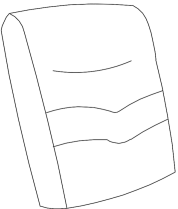

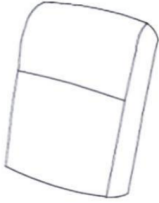

# Assembly Instructions

## CAUTION

**DO NOT** use any sharp objects to open plastic wrapped components as this may result damage to product or components .

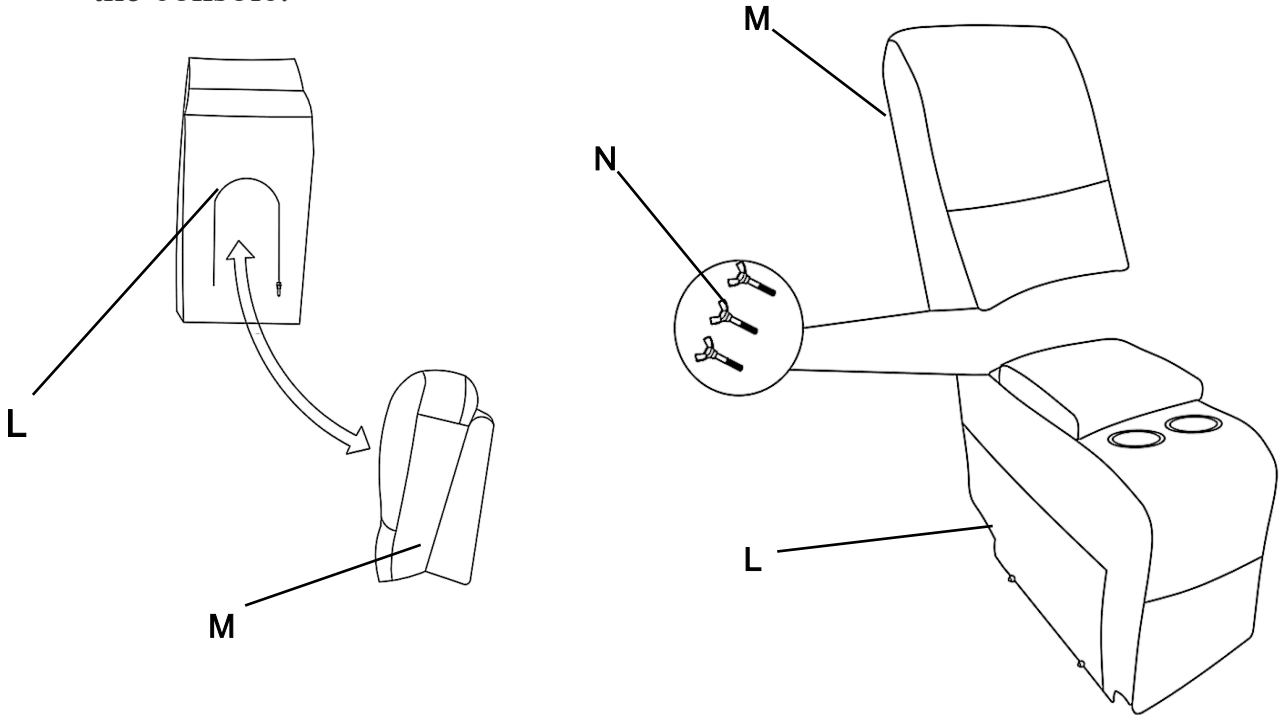
This product comes in multi-box packaging. Please carefully remove all components from the packaging and set them aside for assembly.  
(Please select the installation method that best suits your purchase needs.)

## Package Contents

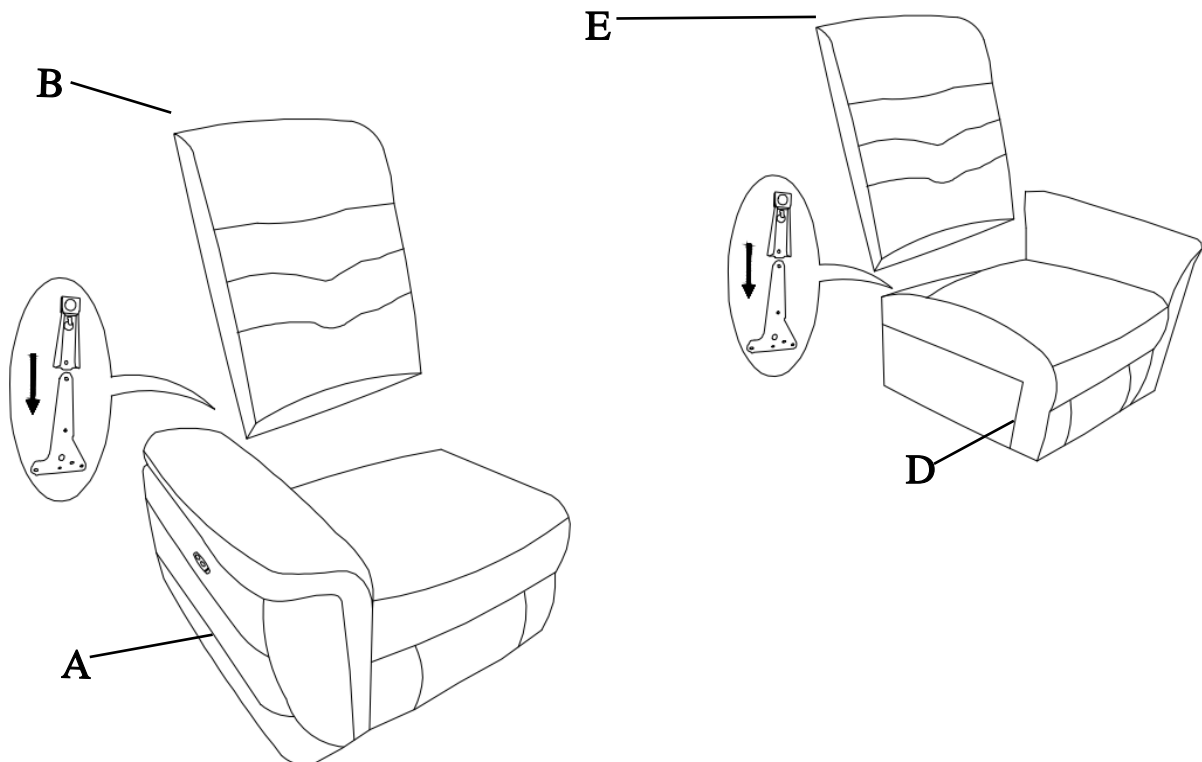
<b>BOX 1</b> RD5229G F51L					
	<b>A*1</b>	<b>B*1</b>	<b>C*1</b>	<b>I*1</b>	<b>J*1</b>
<b>BOX 2</b> RD5229G F51R					
	<b>D*1</b>	<b>E*1</b>	<b>F*1</b>	<b>I*1</b>	<b>I*1</b>
<b>BOX 3</b> RS5229G F61N					
	<b>G*3</b>	<b>H*1</b>			
<b>BOX 4</b> RC5229G F61N					
	<b>L*1</b>	<b>M*1</b>	<b>N*3</b>		

# 1 LOVESEAT ASSEMBLY - BODY SETUP

**Step 1** Open the zipper at the bottom of the console (L) for the loveseat and remove the backrest (M). Use the screw (N) to connect the backrest to the console.

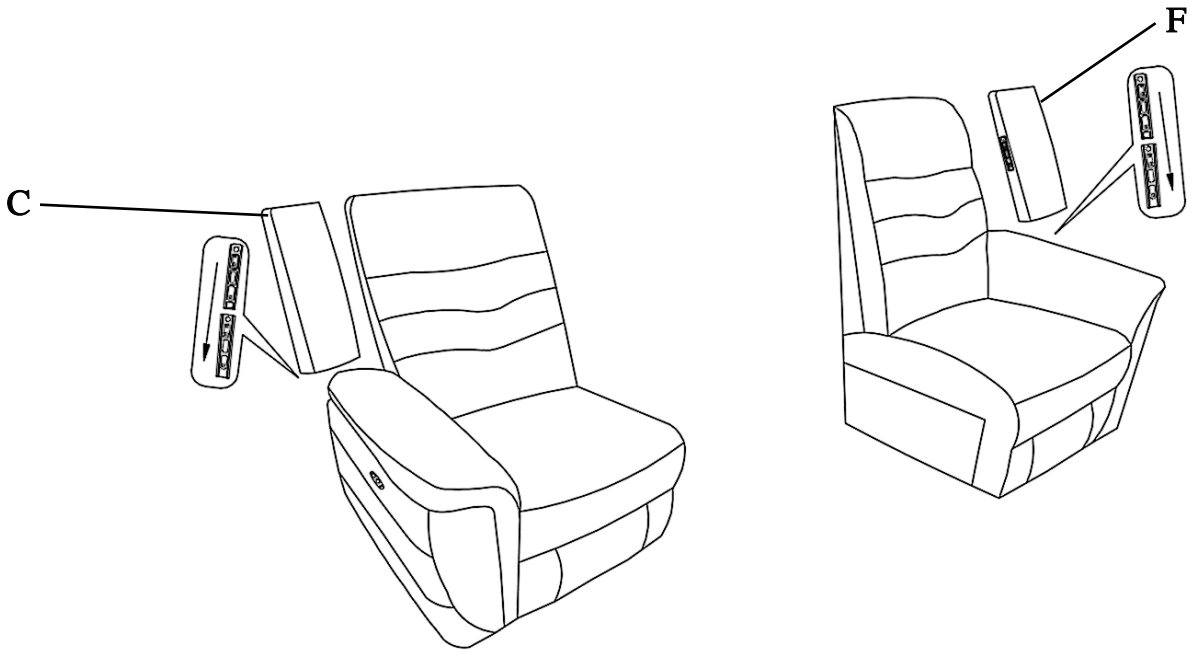


**Step 2** Install the Backrest (B&E) on the Seat (A&D) via the metal slide and, and make sure it is firmly installed before use

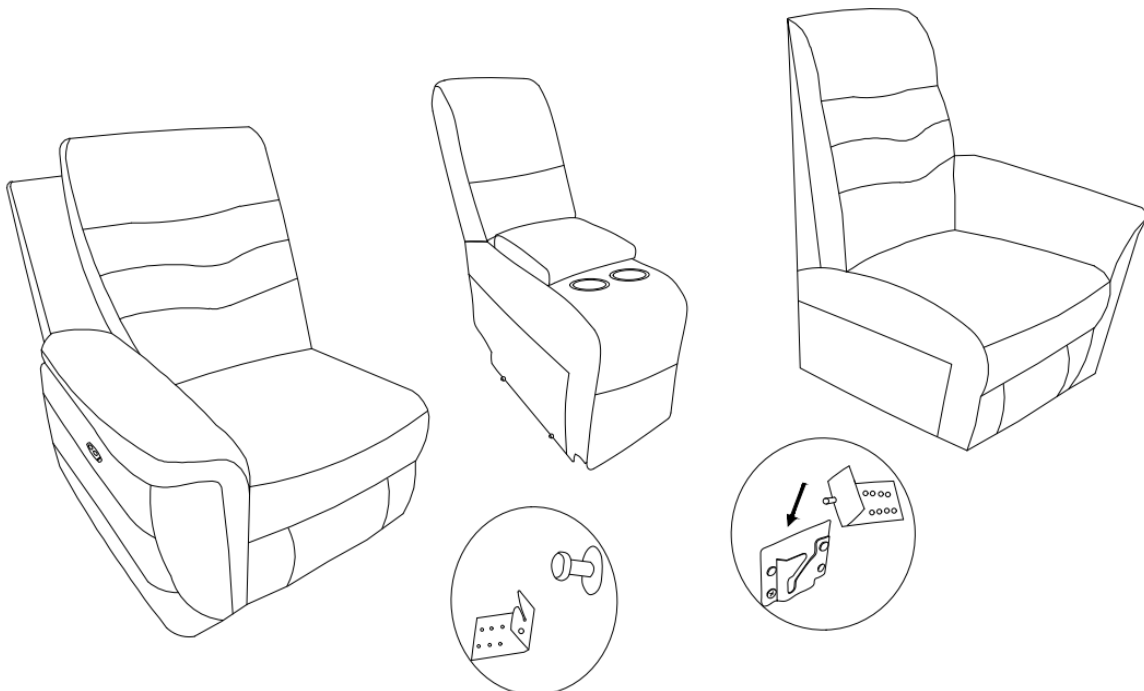


# 1 LOVESEAT ASSEMBLY - BODY SETUP

**Step 3** Attach the Backrest Ears (C&F) to the Backrest (B&E) via the metal slide, and make sure it is firmly installed before use.



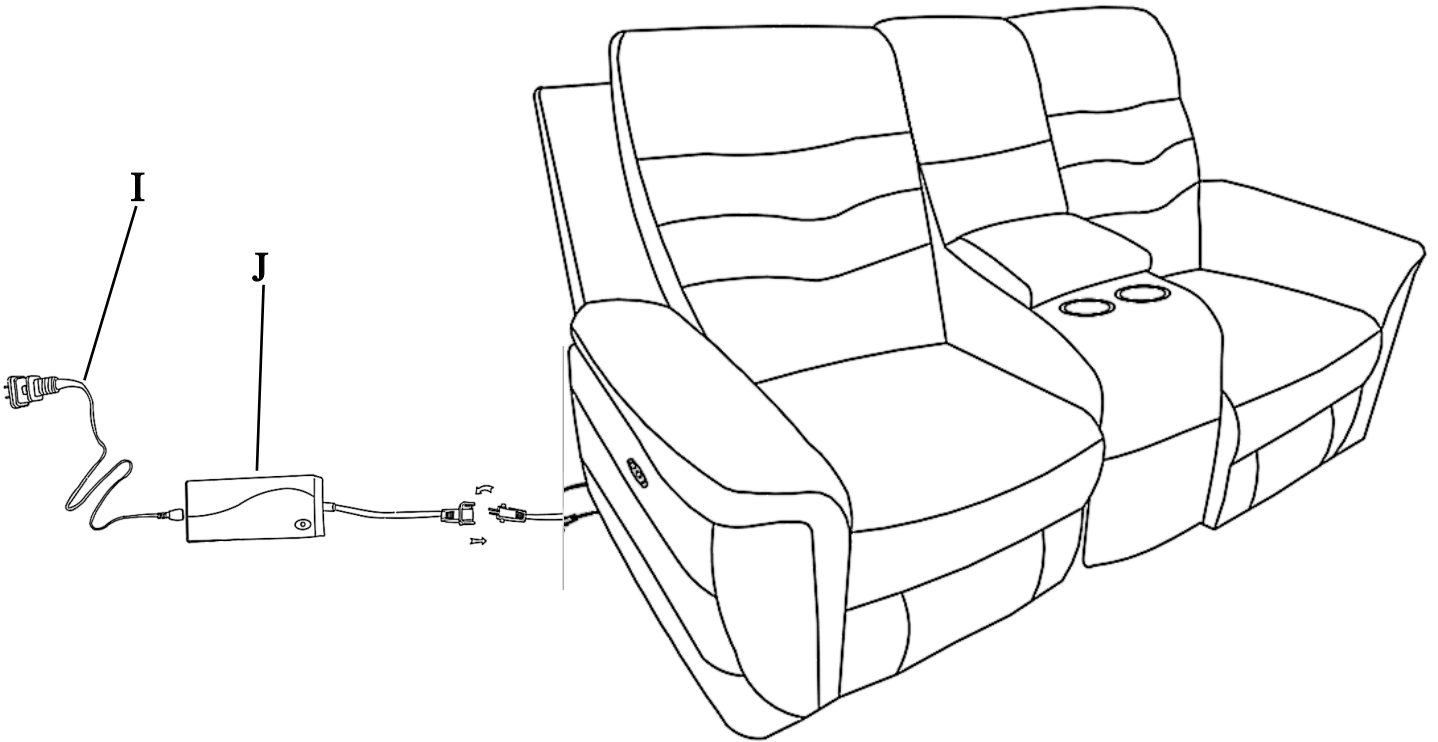
**Step 4** Connect the parts of the loveseat assembly by the metal grooves at the bottom.



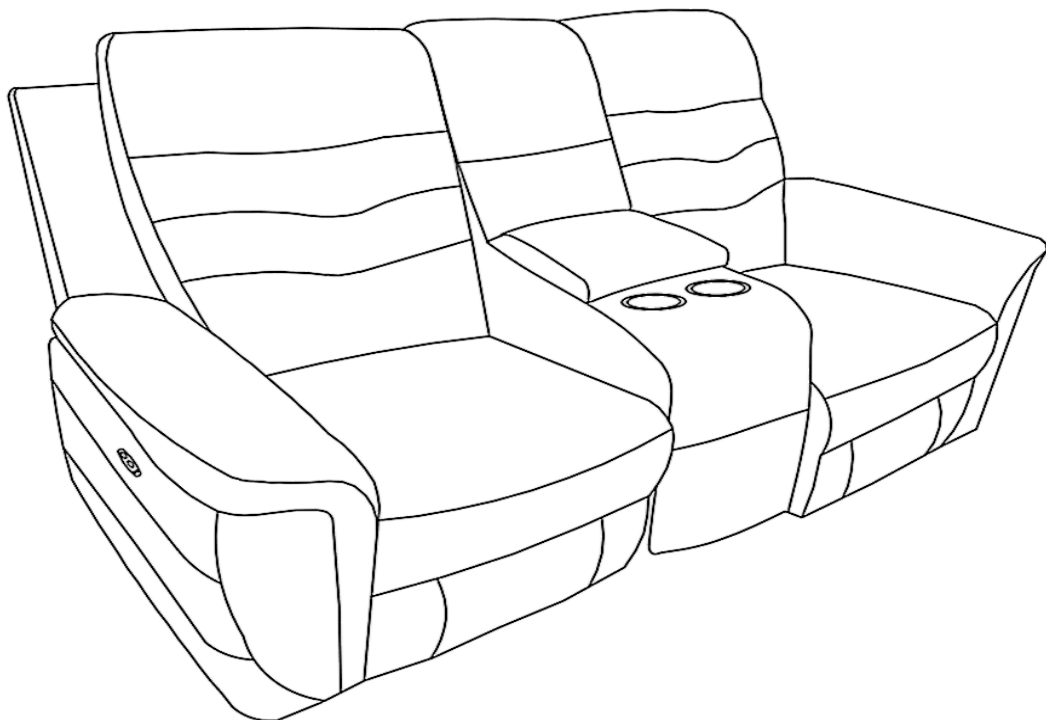
# 1 RECLINER ASSEMBLY - BODY SETUP

**Step 5** Note: You must ensure that your hands are dry during the process.

First, connect the seat (A&D) to the converter (J). Once the connection is complete, fasten the safety buckle and connect the power cord (I) to the converter (J). Then, verify that the wiring is installed correctly and turn on the power.

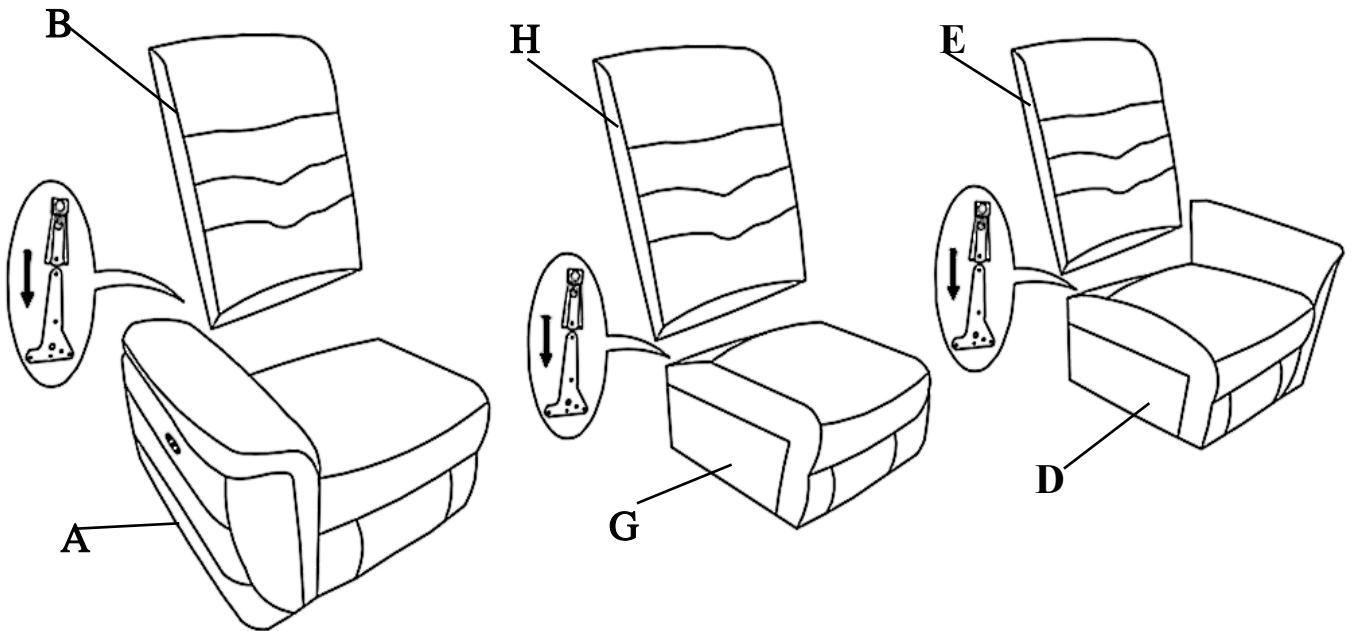


## LOVESEAT

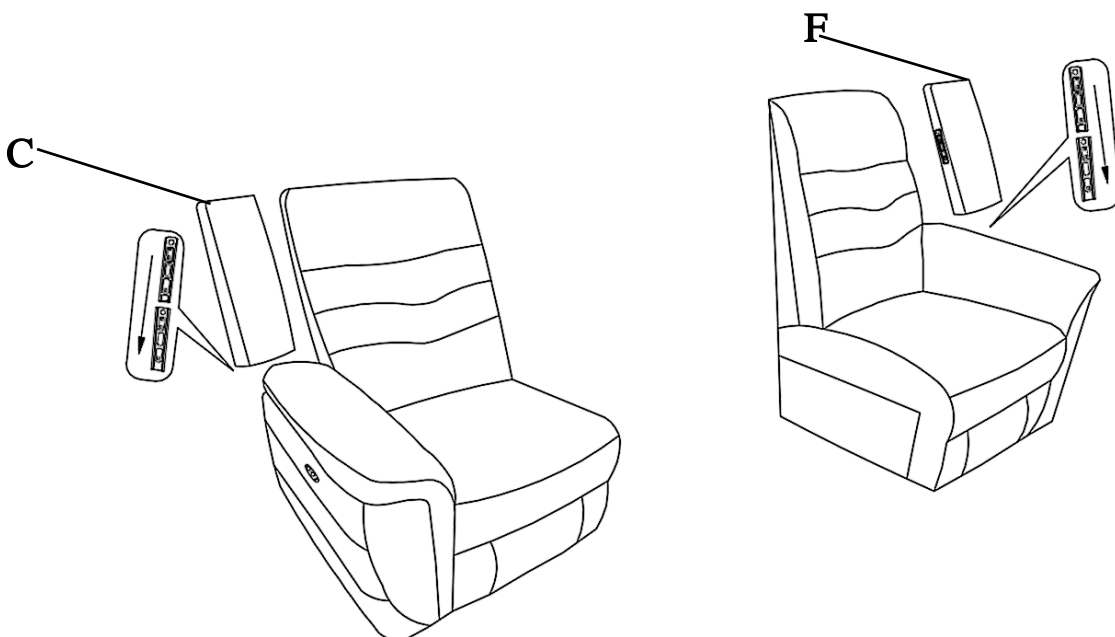


# 2 SOFA ASSEMBLY - BODY SETUP

**Step 1** Install the Backrest (B&H&E) on the Seat (A&G&D) via the metal slideand, and make sure it is firmiy installed before use.

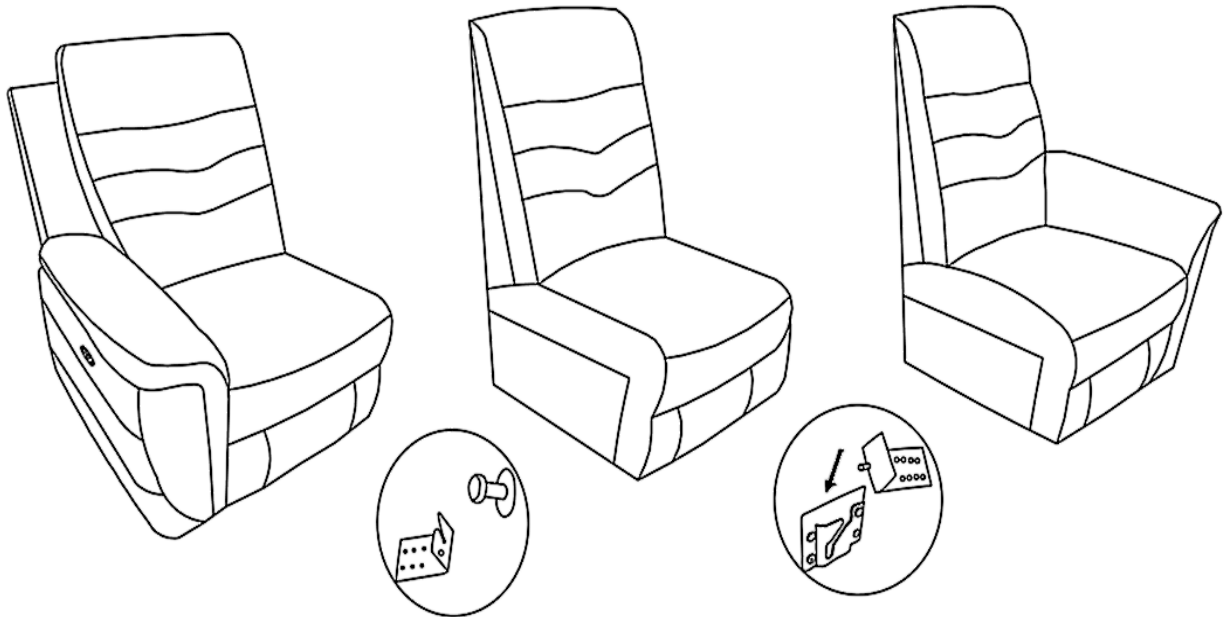


**Step 2** Attach the Backrest Ears (C&F) to the Backrest (B&D) via the metal slide, and make sure it is firmly installed before use.



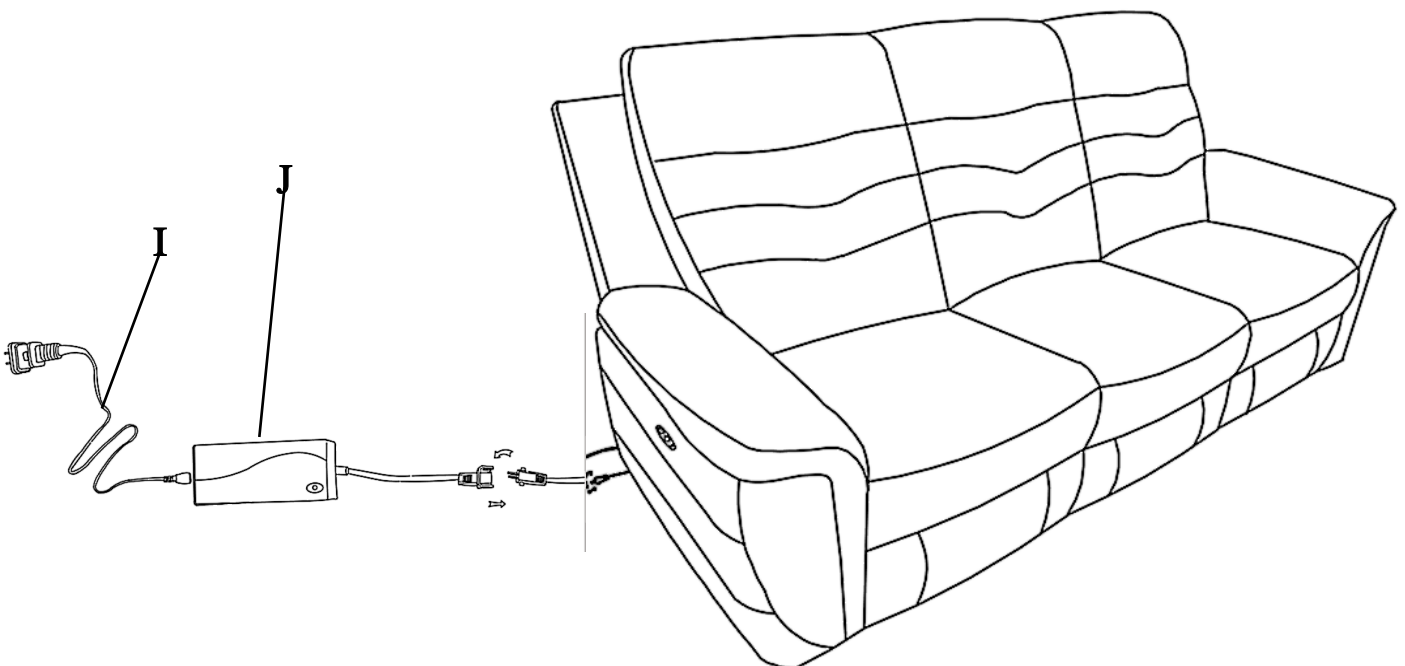
# 2 SOFA ASSEMBLY - BODY SETUP

**Step 3** Connect the parts of the sofa assembly by the metal grooves at the bottom.



**Step 4 Note:** You must ensure that your hands are dry during the process.

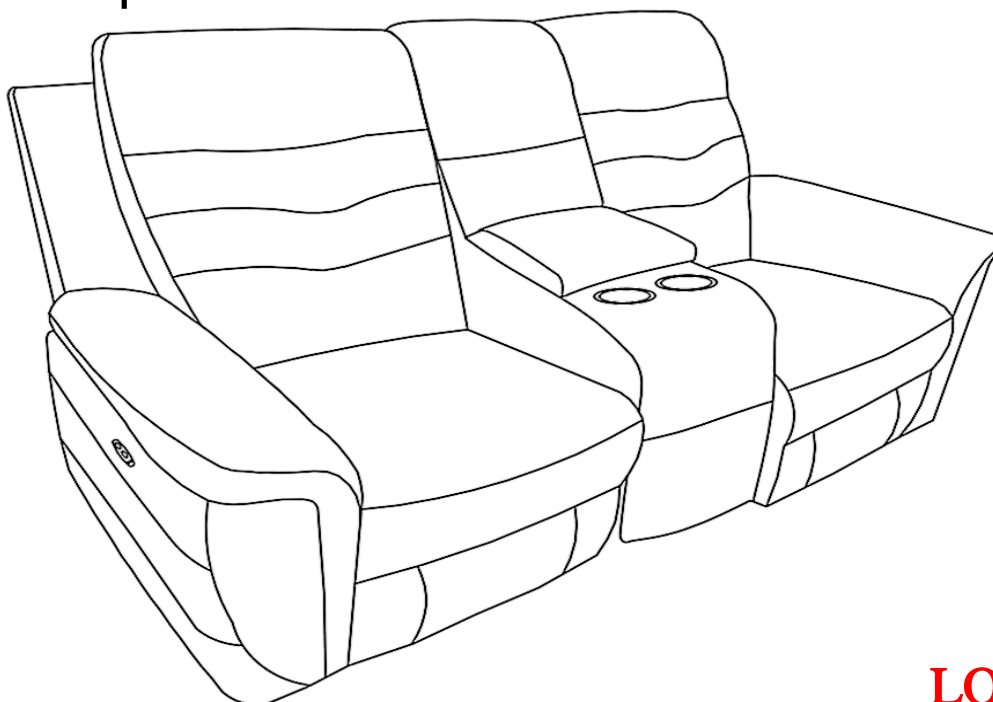
First, connect the seat (A&D) to the converter (J). Once the connection is complete, fasten the safety buckle and connect the power cord (I) to the converter (J). Then, verify that the wiring is installed correctly and turn on the power.



# 3 INSTRUCTIONS FOR USE

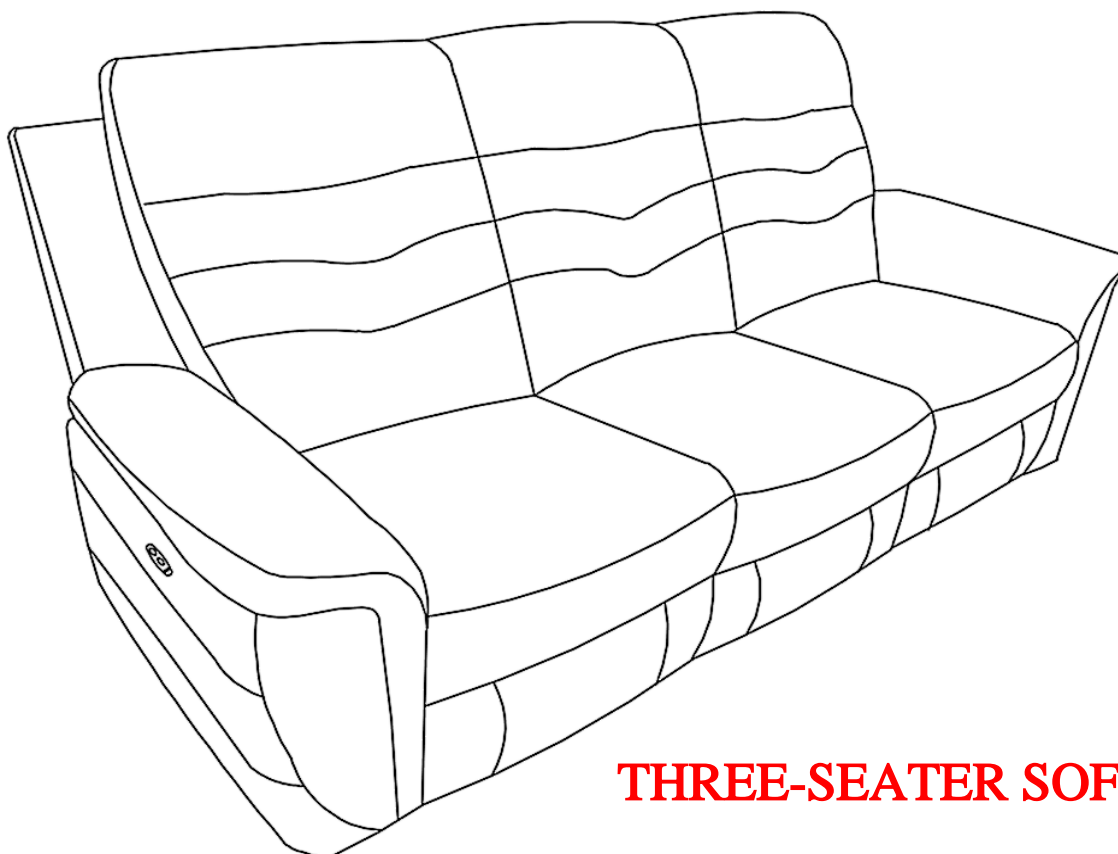
---

Assembly completed



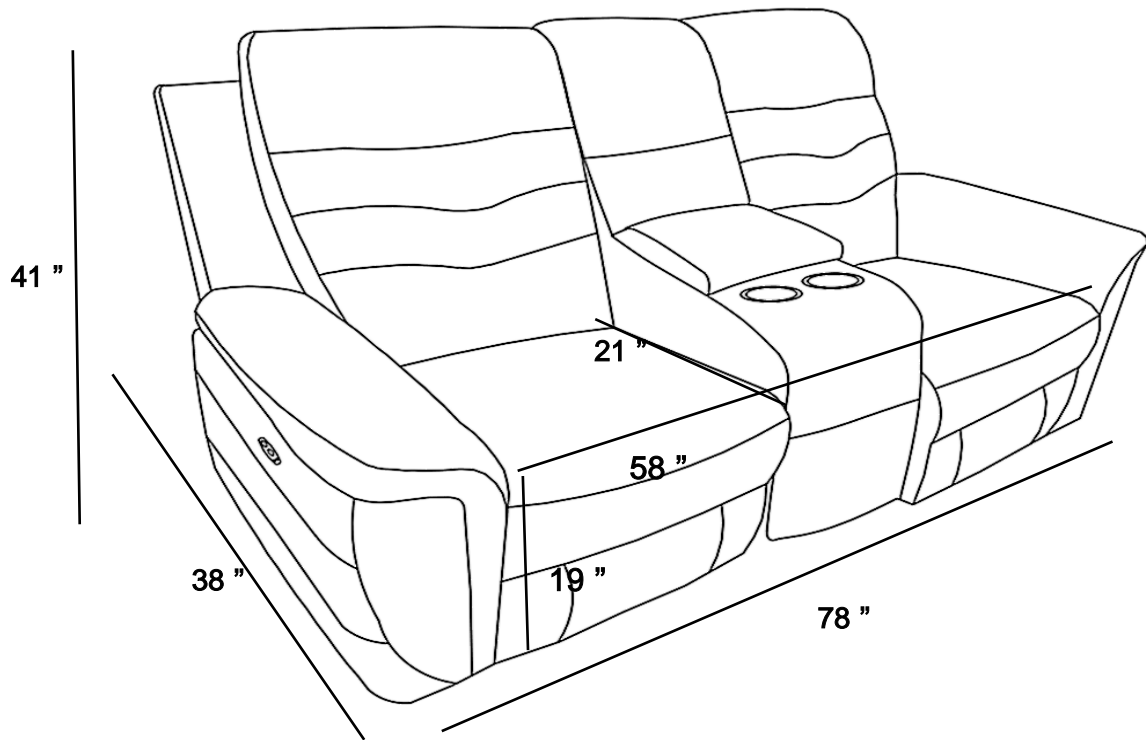
**LOVESEAT**

Assembly completed

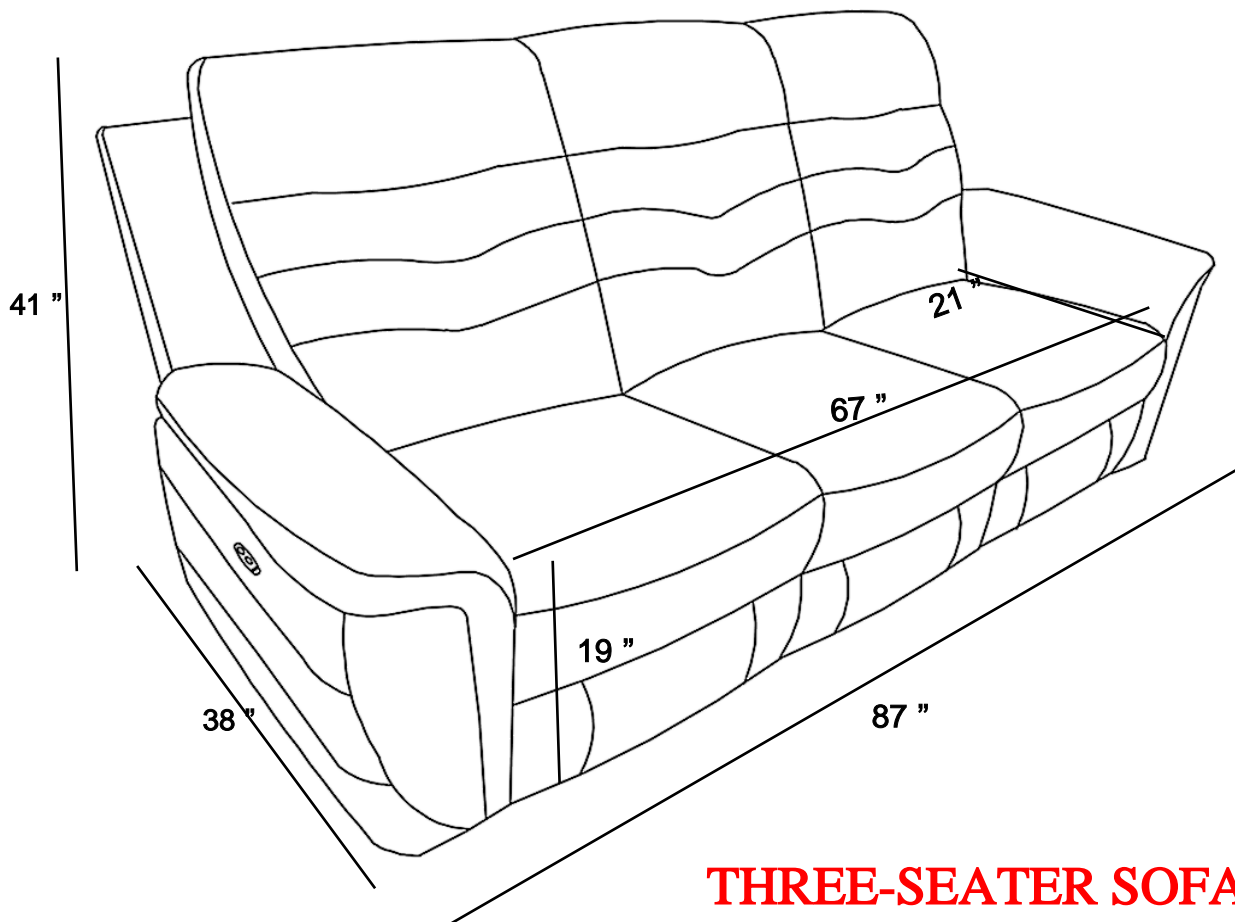


**THREE-SEATER SOFA**

# 3 INSTRUCTIONS FOR USE



**LOVESEAT**



**THREE-SEATER SOFA**

## ⚠️ WARNINGS

1. Please check if the components of the chair are all included and can be used normally.
2. Assemble all components according to the instruction correctly before you connect the chair to the power.
3. Please DO NOT sit on the armrests or footrest to eliminate the risk of tipping over.
4. If the chair is damaged or doesn't match the website description, please send clear pictures of the product and label of the carton to our service team for further help.
5. If the recliner doesn't work, you may try the following measures for self-checking firstly:
  - a) check if all the cables are connected;
  - b) check if the light of transformer is on.

If the chair still doesn't work, please feed the information back to our customer service in time and we will help you solve the matter as soon as possible.

6. If you have any questions about our products, please contact us

