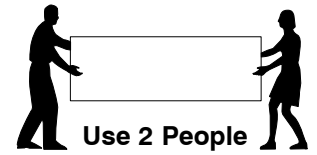
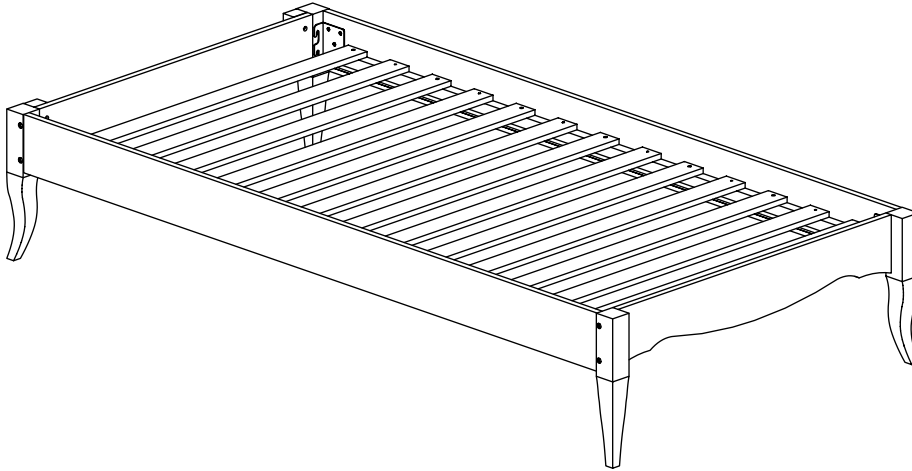


# Twin Bed

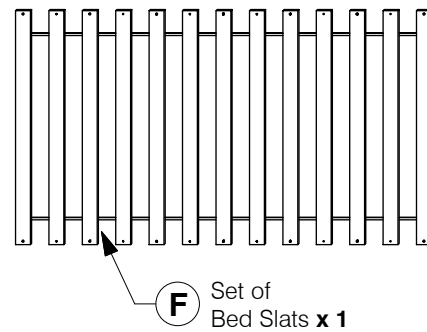
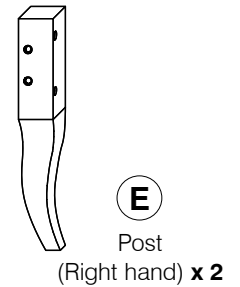
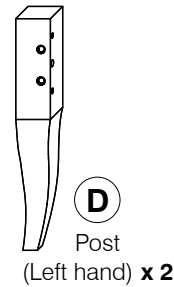
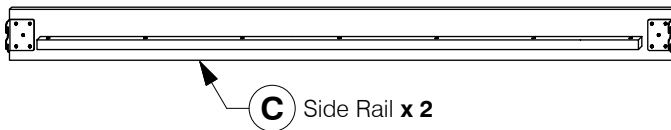
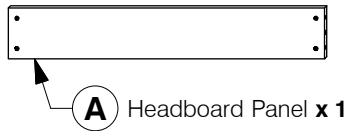
## Assembly Instructions

### 1 Assembled View



**Note:** Do not assemble using power tools. This can cause the bolts to be overtightened

### 2 Parts List



### 3 Hardware List



**1** M6 x 90mm JCB x 8



**2** M6 x 40mm JCB x 14



**3** M6 x 20mm JCB x 8



**4** Wood Dowel (10 x 40mm) x 4



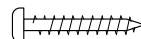
**5** Barrel Nut x 8



**6** Spring Washer x 8



**7** Flat Washer x 8



**8** Wood Screw (M4 x 32mm) x 16

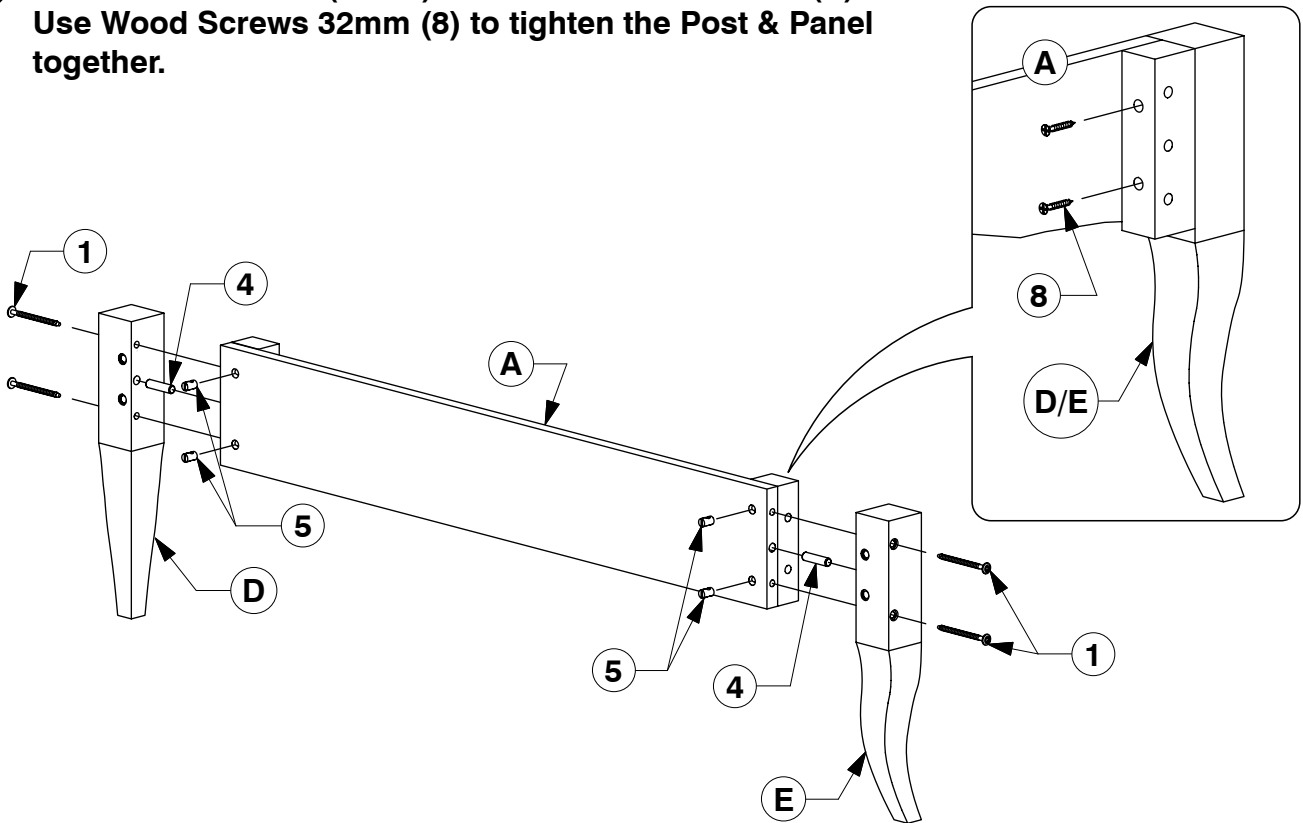


**9** M4 Allen Key x 1

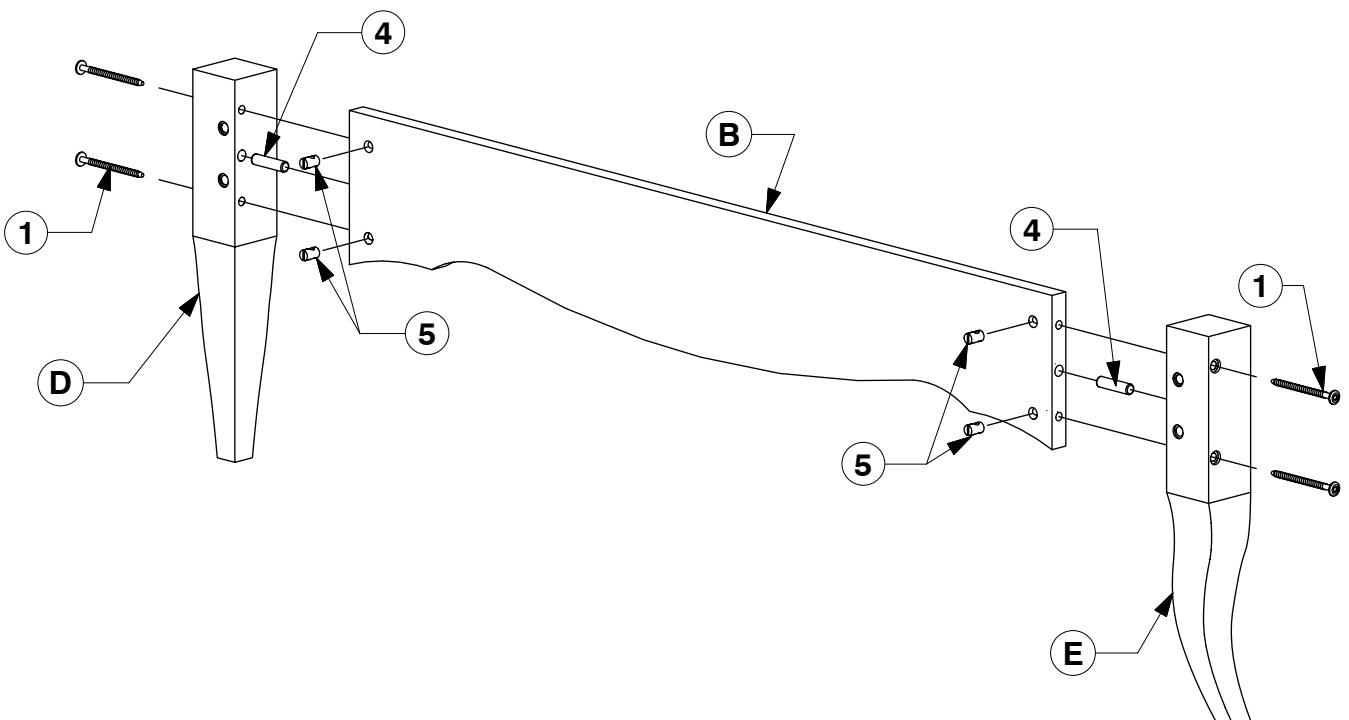
# Twin Bed

## Assembly Instructions

- 4** Assemble the Post (D & E) to the Headboard Panel (A). Use Wood Screws 32mm (8) to tighten the Post & Panel together.



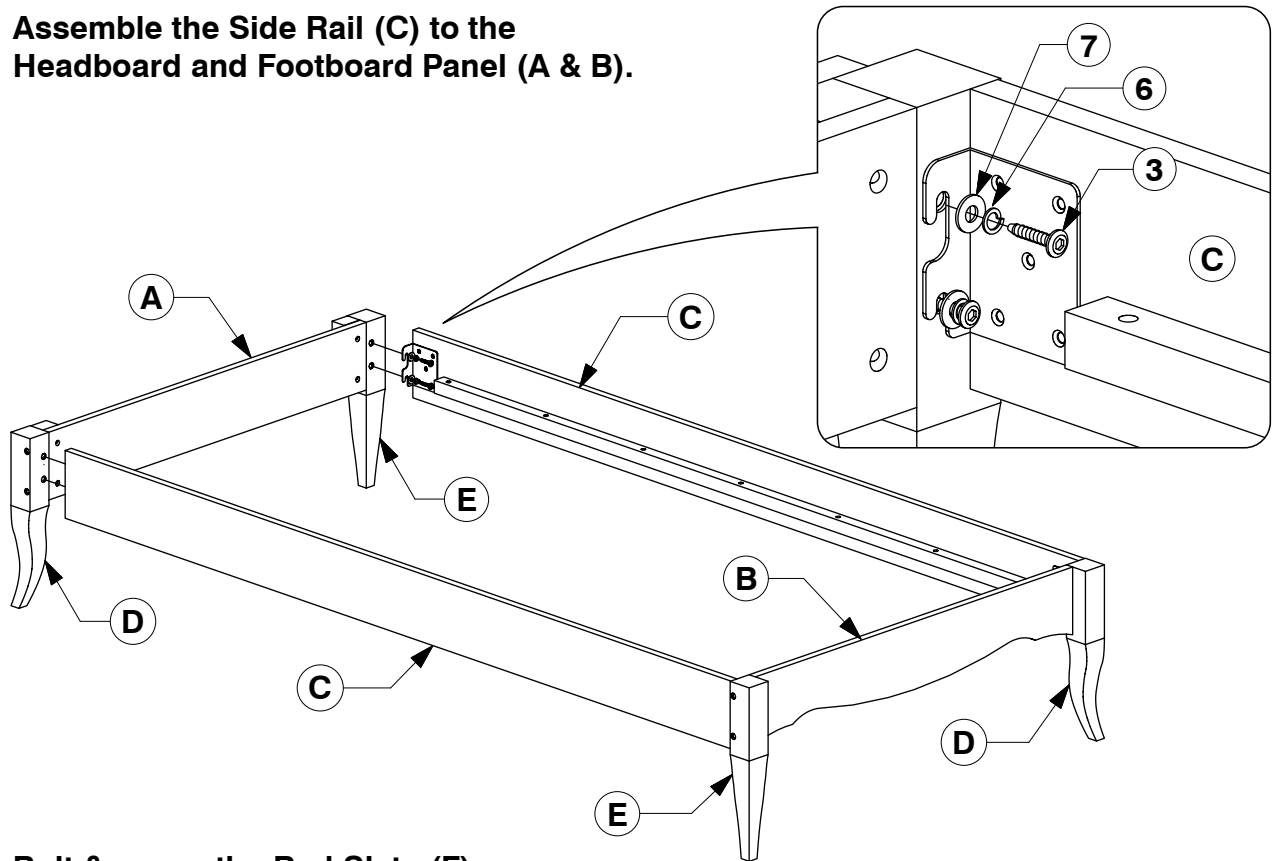
- 5** Assemble the Post (D & E) to the Footboard Panel (B).



# Twin Bed

## Assembly Instructions

- 6** Assemble the Side Rail (C) to the Headboard and Footboard Panel (A & B).



- 7** Bolt & screw the Bed Slats (F) to the Side Rail (C).

