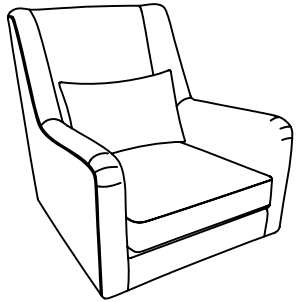


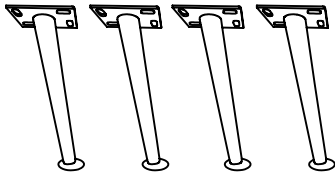
5528645/5528646
ASSEMBLY INSTRUCTION
Before assembling, read all the instructions

Ax1



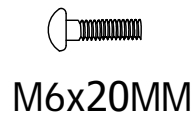
Seat

Bx4



Legs

Cx16



M6x20MM

Screw

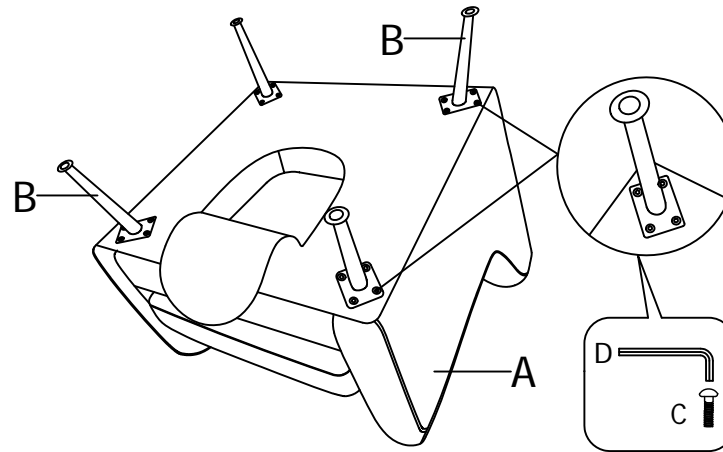
Dx1



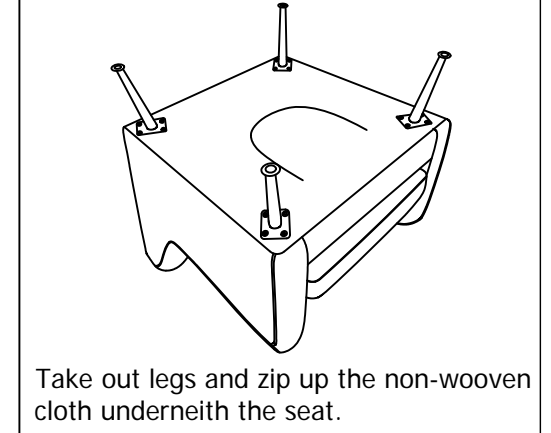
M6

Allen key

①

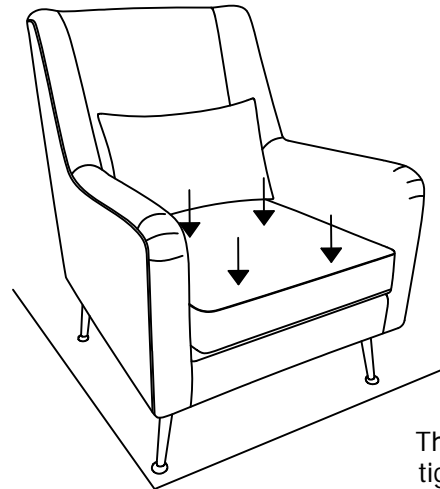


Put the screws in the holes, tighten the screws, but not too tight, 90% is ok.



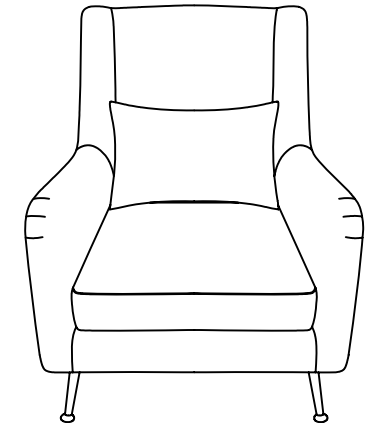
Take out legs and zip up the non-woven cloth underneath the seat.

②



Then adjust balance of this chair, tighten all the screws to 100%.

③



In the end , Your sofa is ready.

WARNING:

DO NOT STAND ON THE CHAIR, DO NOT USE THIS CHAIR AS A STEP LADDER.

USE THIS PRODUCT ONLY FOR SEATING ONE PERSON AT A TIME.

DO NOT USE THIS CHAIR UNLESS ALL BOLTS, SCREWS AND KNOBS ARE FIRMLY SECURED.

AT LEAST EVERY 4 MONTHS, CHECK ALL BOLTS, SCREWS AND KNOBS TO BE SURE THEY ARE TIGHT.

IF PARTS ARE MISSING, BROKE, DAMAGED OR WORN, STOP USING THIS PRODUCT UNTIL YOU HAVE REPAIRED IT FULLY.

FAILURE TO FOLLOW THESE WARNINGS COULD RESULT IN SERIOUS INJURY.

PLEASE DO NOT USE KNIFE TO OPEN ANY PARTS OF THE BOX OR CHAIR.

CLEANING OF PU/LEATHER COVER - WIPE CLEAN WITH A SOFT CLOTH MOISTENED WITH WATER AND NEUTRAL DETERGENT.

DO NOT USE BLEACH,CHEMICAL OR BIOLOGICAL CLEANERS.