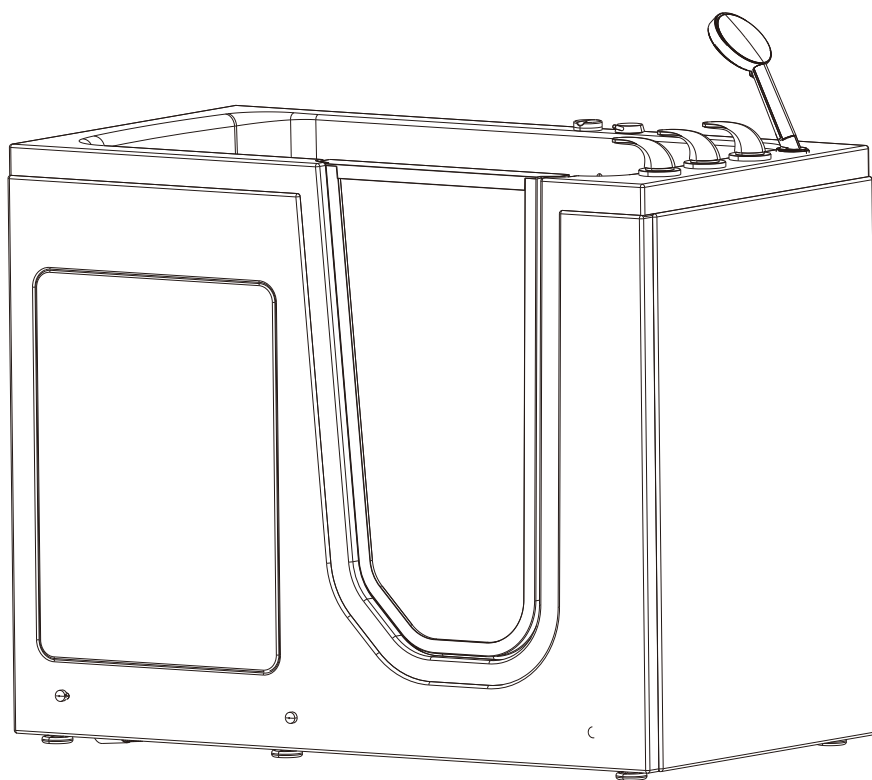


# Installation & Operation Manual

## For Walk-in Bathtubs

Please read this manual completely and carefully before using bathtubs



# CONTENTS

<b>I. Instructions for use</b>	<b>2</b>
<b>II. Product illustrations</b>	<b>3-5</b>
<b>III. Basic parameters and main functions</b>	<b>5</b>
<b>IV. Parts Layout</b>	<b>6</b>
<b>V. Installation instructions</b>	<b>6-7</b>
<b>VI. How to use the bathtub</b>	<b>8-9</b>
<b>VII. Cleaning and maintenance</b>	<b>9-10</b>
<b>VIII. Failures and troubleshooting</b>	<b>10</b>

Thank you for your purchasing.

Our elaborately designed products will make your life easy, cosy and comfortable to our company's greatest honor.

In order to assemble and use our products correctly, please read this manual carefully and follow it strictly.

We will provide you with dedicated and satisfied service.

# Instructions for use of walk-in bathtubs

## I. Instructions for use

**Be sure to read the instructions carefully before installation and use!**

The body's response to water temperature is very sensitive, depending on the person's age, health, and history of drug reactions. If you don't know your receptivity to hot water, or if you experience headaches, dizziness or nausea while using bathtub, please just stop bathing or lower the hot water temperature immediately.

### Cautions:



**Danger Symbol: This icon alerts the user to the hazardous voltage of product!**



**Warning Symbol: This icon reminds the user of the important operating and maintenance instructions! When finished using, the power switch must be disconnected.**

1.1 GFCI (Ground Fault Circuit Interrupter) must be installed in power inlet and the grounding must be reliable!

1.2 To prevent an electric shock, the connection and replacement of the power cord must be carried out by a professional electrician or dealer, and must not be replaced privately;

1.3 To prevent an electric shock, all connections must be properly insulated;

1.4 Use this bathtub with cautions if you have heart disease, high blood pressure or low blood pressure;

1.5 DANGER: Alcohol, drugs, or medications poses a hazard; persons taking medications or allergic to medications should consult a physician before using the bathtub;

1.6 For the safety protection when bathtub in use, important safety instructions need to be followed;

1.7 Ensure that all nozzles can be sprayed out smoothly, do not artificially block any water or air outlets;

1.8 Due to the relative deep water in the bathtub, it is absolutely forbidden for children to use this bathtub alone;

1.9 Do not start the motor when there is no water, in order not to damage the pump (This applies only to bathtubs with massage function);

## Instructions for use of walk-in bathtubs

- 1.10 If the bathtub is used frequently, the pipes should be cleaned once a week (This applies only to bathtubs with massage function);
- 1.11 Do not use the bathtub immediately after strenuous exercise; if you feel unwell during or after using the bathtub, just stop using it immediately and see a doctor;
- 1.12 To avoid unnecessary accidents, please do not drink alcohol while using massage;
- 1.13 Prolonged immersion in water temperatures above 104°F (40°C) maybe harmful to the body, 96.8°F - 104°F (36°C - 40°C) is the safe temperature range for the human body, we recommend that you should measure accurately the temperature of the water before getting into the bathtub, and we also recommend that those who have a strong reaction to high temperatures should be kept at a lower water temperature and stay in for a shorter period ;
- 1.14 Excessive water temperatures can be detrimental to pregnant women, and it is best for pregnant women to use the water at 100.4°F (38°C) and consult a physician before using the bathtub;
- 1.15 All electrical maintenance and repairs must be performed by a licensed technician.
- 1.16 Monthly timed testing of GFCI (Ground Fault Circuit Interrupter) should be carried out;
- 1.17 Before maintenance and repair must power off as per normal operation menu;
- 1.18 Test once per instructions after any maintenance and repair;
- 1.19 Please check the bathtub accessories according to the contents of the packing list, and notify the dealer at the first time of any missing or damages.

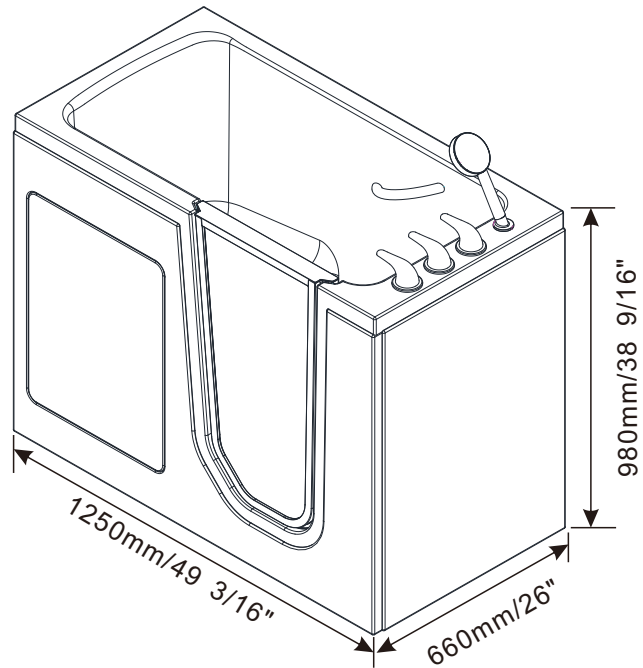
## II. Product External Picture

# Instructions for use of walk-in bathtubs

## BG-329R

1250\*660\*980mm

49 3/16"\*26"\*38 9/16"



### III. Basic parameters and main functions

Water capacity	260 kg/573.2 lb
net weight	59.4 kg/130.9 lb
gross weight(with carton wooden frame)	86.4 kg/190.4 lb
gross weight (with honeycomb carton)	76 kg/167.5 lb

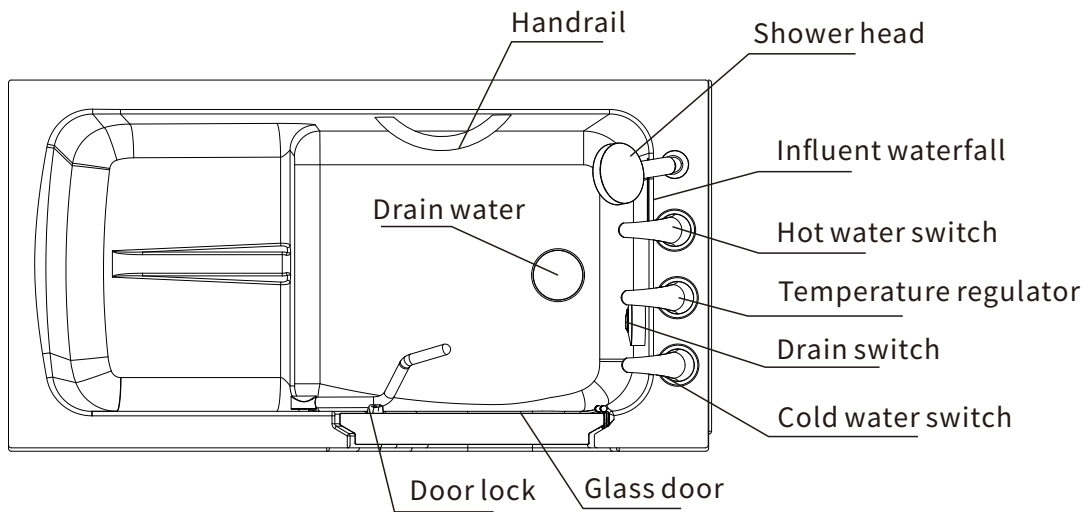
### 3.2 Main functions

Key Feature	Model
	BG-329
water intake function	●
Hot and cold water adjustment function	●
Hand shower function	●
Manual drain function	●

# Instructions for use of walk-in bathtubs

## IV. Parts layout

### • BG-329R

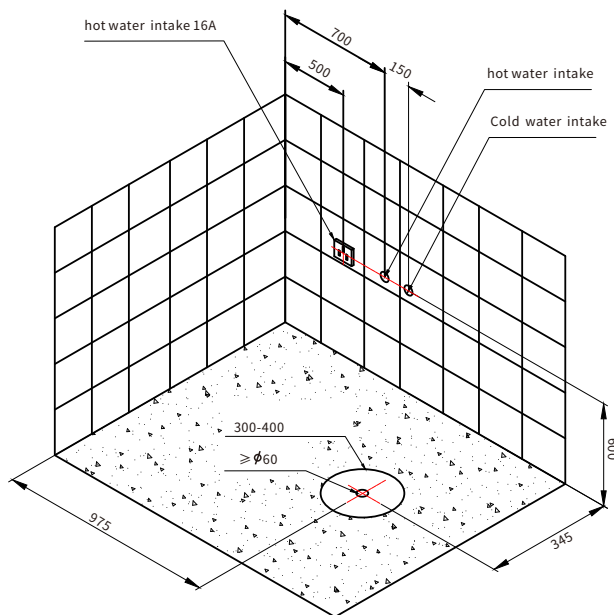


## V. Installation instructions

Installation Tips: It is recommended that you should reserve the plumbing location according to the following diagram before installation; the installation should be installed by a professional. When installing, please be careful of handling so as not to bump or scratch the surface of the product.

### 5.1 Plumbing and electrical installation illustrations

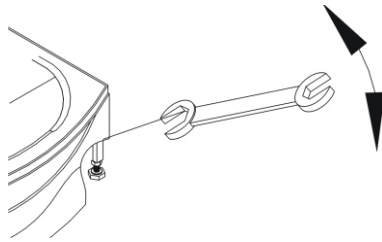
#### • BG-329R



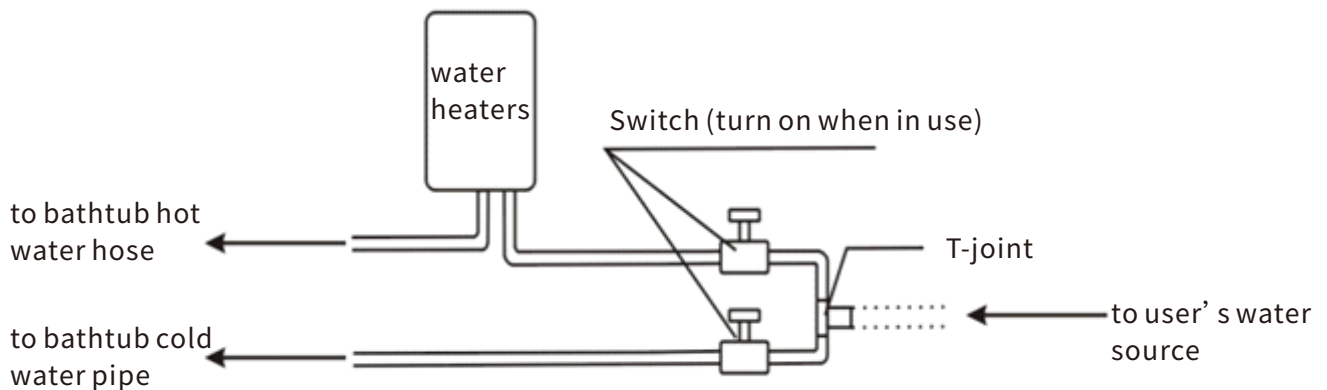
### 5.2 Installation of bathtub

5.2.1 Remove the packing box, lift out the bathtub and move it to the desired place; If the floor is not level, adjust the bottom ground screws, level and tighten;

## Instructions for use of walk-in bathtubs



5.2.2 Place the bathtub near the location to be installed and connect the hot and cold water pipes separately to the cold and hot water source (of which blue for cold water and red for hot water), water pressure should be more than 3 kilograms, hot and cold water pressure should be at average; if water pressure is insufficient, the owner should install a booster pump at water outlet of water tower on roof.



5.2.3 Screw the drain pipe to the drain and insert the drain pipe into the reserved hole in the floor, the diameter of the drain hole needs to be greater than or equal to  $\phi 60$  mm (refer to the water and electricity installation drawing);

5.2.4 Connect the shower head to the shower hose;

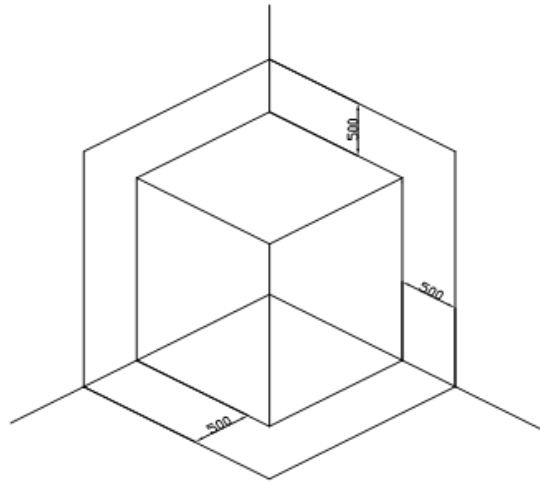
5.2.5 Turn the function switch to OFF;

5.2.6 Install the water inlet to the bathtub surface and connect the high temperature tube between the function switch and the water inlet;

5.2.7 After the hot and cold water is connected separately, turn the function switch to check water leakage out of the connected pipes;

5.2.8 Fit the 100-mm high snap bar onto the shell and tighten with an Allen key.

5.2.9 After installed, a space of more than 500mm shall be left around the bathtub for future maintenance and adjustment.



## VI. How to use the bathtub

6.1 Turn on the general power supply and turn on hot and cold water.

6.2 Procedure of opening and closing the side door:

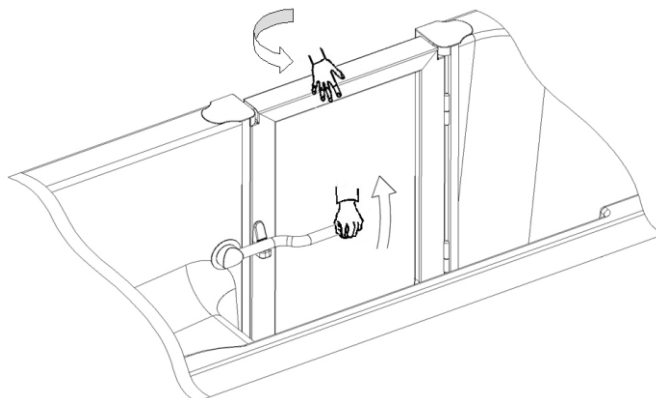
6.2.1 Opening the door: Hold the bolt with your hand and lift it upwards, then push the door inwards to gain access (as shown in the diagram).

6.2.2 Closing the door: The steps and direction of closing the door are the opposite of opening the door; firstly close the door, then press the bolt downward.

### 6.3 Notes on bolt use:

6.3.1 Do not apply excessive pressure (less than 50Kgf) to the bolt. Do not use it as a handrail, which may cause breakdown to the limit structure of the bolt and so results in bolt damages;

6.3.2 Open the door when the bathtub is not in use;



## Instructions for use of walk-in bathtubs

6.4 When the water level is higher than 20-30mm above the position of the highest nozzle, turn the function switch to OFF and stop filling in massage; press the massage pneumatic button to start massage pump for massage. And can stop massage by pressing the button again. Prohibit turning on the pump when water level is below the highest nozzle, otherwise the water will spray out to the outside of the bathtub because of high water pressure (this applies only to the bathtub with massage function);

6.5 Turn the hydro switch to adjust to adjust massage intensity (this only applies to bathtubs with massage function);

6.6 Directly press air switch button to start air pump to work, and then press again to stop. The period to keep air pump in use is from 15 to 30 minutes, the longest period is within 120 minutes (**this applies only to the bathtub with bubble bath function**);

6.7 Turn the function switch to shower and take the hand-held shower for shower;

6.8 When finished bathing, turn off the motor and turn clockwise the drain control wheel for draining.

6.9 Pressing the Ozone switch directly to start the ozone generator; pressing again to stop working. The sanitizing function cannot be used when taking a bath (this applies only to bathtubs with ozone sanitizing function);

6.10 In the last clean out the bathtub and turn off the power.

## VII. Cleaning and maintenance

7.1 The bathtub can be cleaned daily with conventional liquid detergent and soft cloth, but not with detergent containing acetone or ammonia;

7.2 If the surface of bathtub is scratched or scuffed, just use 1500# water sandpaper with water to grind away the scars, then apply toothpaste and polish with a soft cloth till as bright and clean as new;

7.3 Limescale on the surface of the bathtub can be removed with a weak acidic washing-up liquid and sassafras cleaner with a soft cloth;

## Instructions for use of walk-in bathtubs

7.4 The return water elbow can be cleaned by unscrewing the elbow off if there is hair or debris in it;

7.5 After use, drain the bathtub completely and disconnect the power supply;

7.6 Do not hit on the surface of the bathtub with hard objects, and also do not allow cigarette butts or heat sources above 212°F (100°C) to touch the surface;

7.7 Hydro-massage unit cleaning: Fill in the tub with 104°F (40°C) hot water (approximately 320L) and put in cleaner at a dose of 2 grams per liter. Start hydro-massage to work for 5 minutes, stop the pump and drain completely, then fill in with cold water and start hydro-massage to work for about 2 minutes, stop the pump and drain completely. **(this only applies to bathtubs with massage function);**

### **Eight, common faults and troubleshooting methods**

Bathtub surface not level	Support feet not adjusted	Adjustable support feet
Leaking of water pipes connections	Bad seals	Reinstallation or replacement
	Nut not locked properly	locknut
	Poor bonding at the interface	Re-gluing

**P.S.** This manual is provided for reference only. The actual product may differ from the descriptions herein, and changes may be made without prior notification.