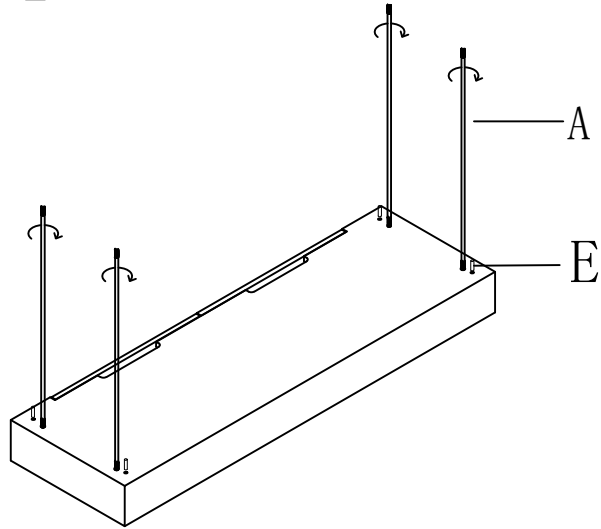
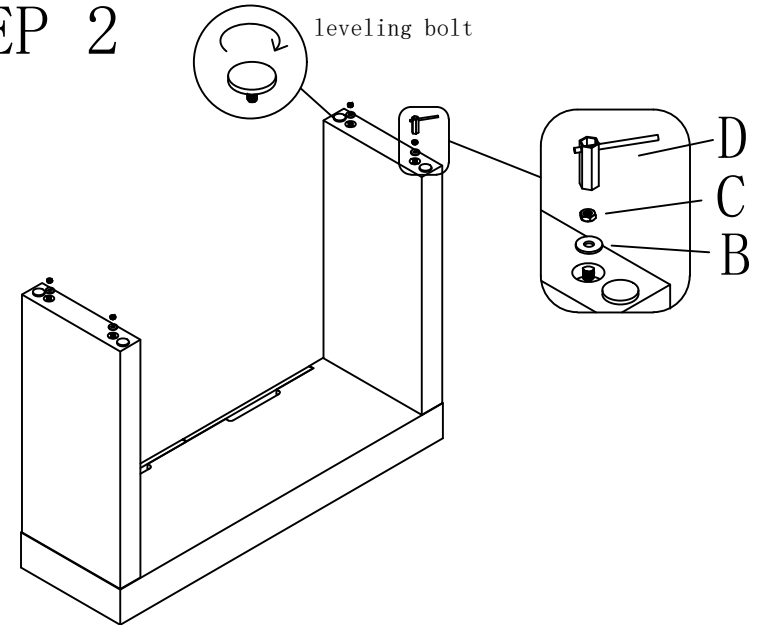


ASSEMBLY INSTRUCTION

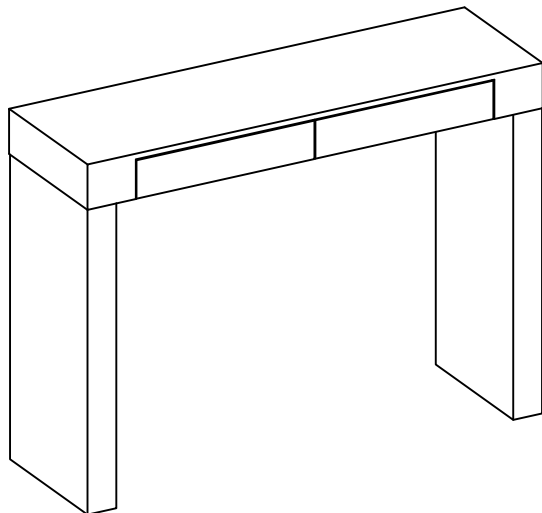
STEP 1



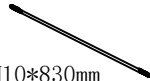


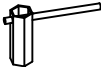
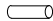
STEP 2



At least 2 people are required for product assembly



DI-127

A	 M10*830mm	4
B		4
C		4
D		1
E	 M8*30mm	4